

# AH265S-HD

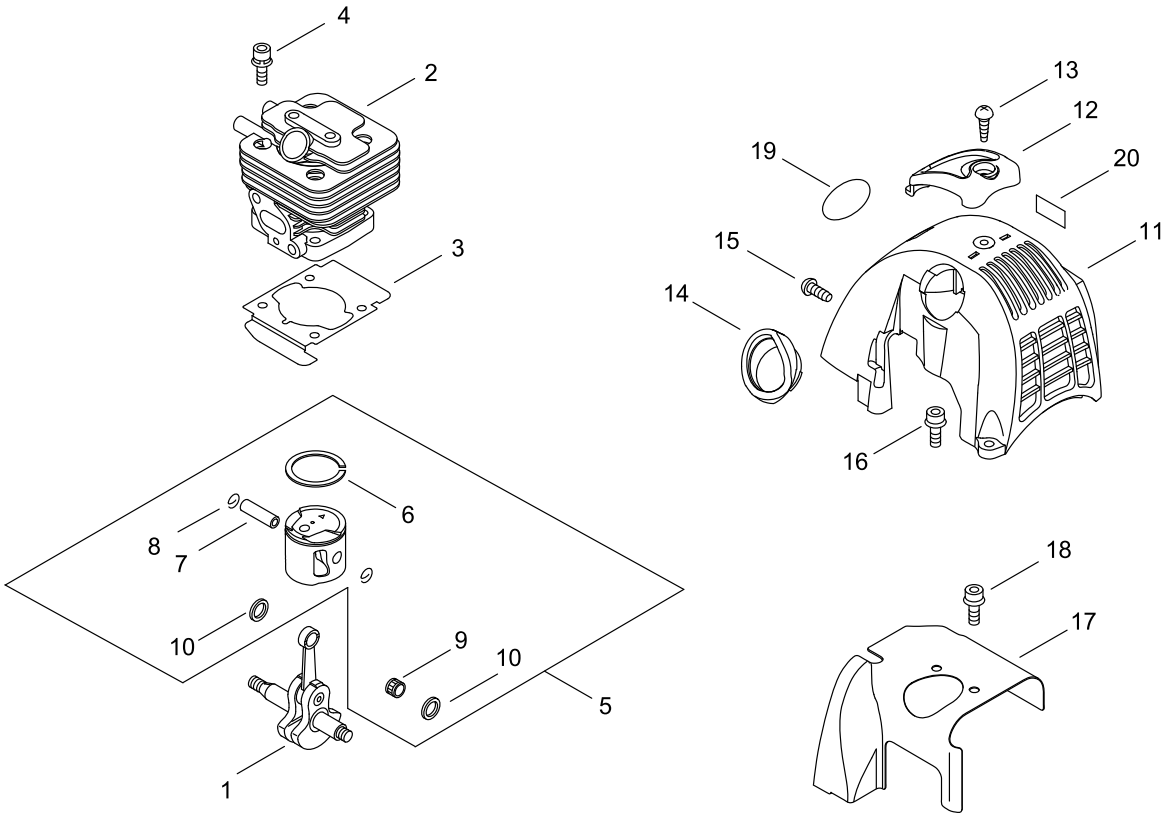
Published:12/20/2017

## TABLE OF CONTENTS

---

CYLINDER, PISTON, CRANKSHAFT.....	1
CRANKCASE .....	3
MAGNETO.....	5
CLUTCH.....	7
AIR CLEANER, CARBURETOR.....	9
CARBURETOR.....	11
FUEL TANK.....	13
MUFFLER .....	15
RECOIL STARTER, PULLY .....	17
GEAR CASE.....	19
CUTTING BLADE.....	21
MAIN PIPE .....	23
THROTTLE .....	25
ACCESSORIES.....	27

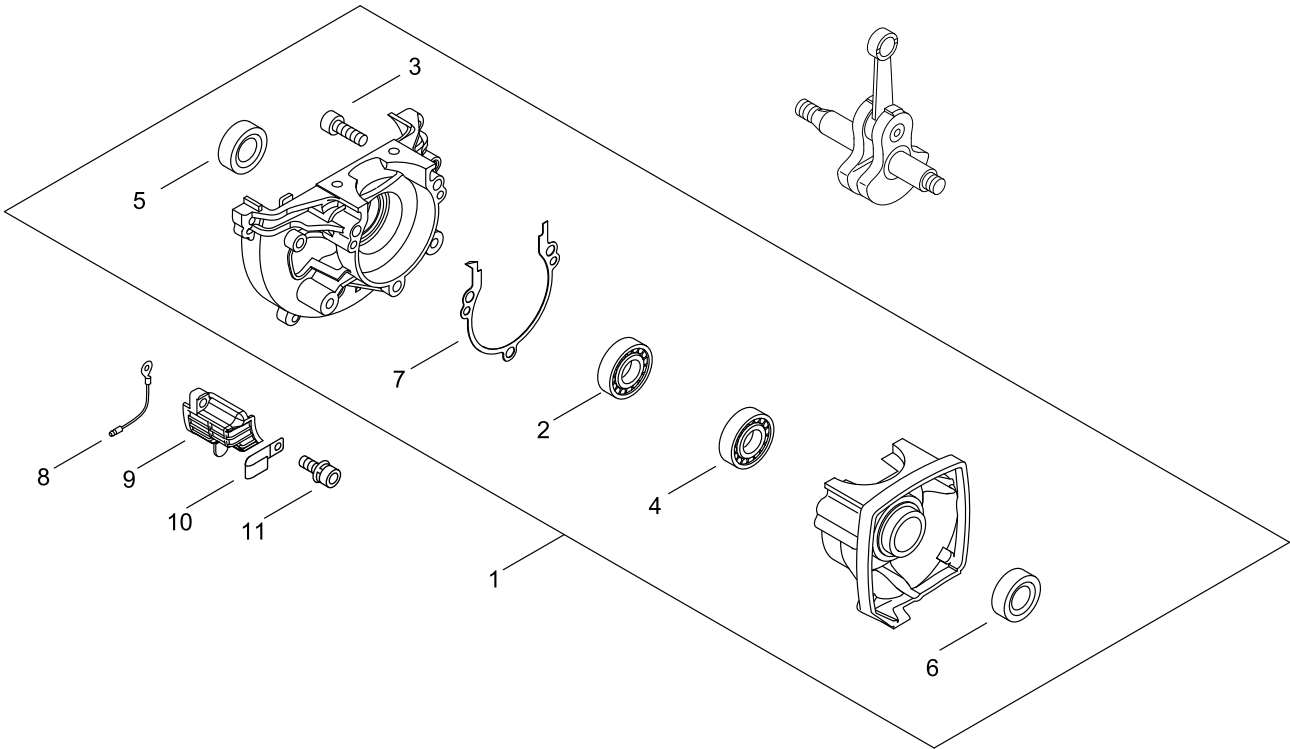
# CYLINDER, PISTON, CRANKSHAFT



## CYLINDER, PISTON, CRANKSHAFT

KEY NO	LV(+)	Part No	Description	Qty	Standard	Comment
1		A011-000434	CRANKSHAFT,ASY	1		
2		A130-000761	CYLINDER	1		
3		V100-000210	GASKET,CYL	1	T0.5 38.1	
4		900162-05025	BOLT, H.S. 5*25	4	5*25 W,SW	
5		P021-009771	PISTON KIT	1		
6	+	A101-000170	RING, PISTON	1	34*1.5*1.5	
7	+	100013-35430	PIN, PISTON	1	6*9*27.8	
8	+	100015-03931	CIRCLIP, PISTON PIN	2		
9	+	100012-16131	BEARING, NEEDLE	1		
10	+	100014-53630	SPACER, PISTON PIN	2		
11		A160-002900	COVER,CYLINDER	1		
12		A162-000100	GUARD, TOP	1		
13		900256-05016	SCREW, TAPPING	1	5*16	
14		A162-000080	GUARD, TOP	1		
15		91140-05012	BOLT	1	M5*12	
16		900106-05014	BOLT, H.S. 5*14	1	5*14	
17		A160-000691	COVER,CYLINDER	1		
18		900106-05008	BOLT, H.S. 5* 8	2	5*8	
19		X562-000760	LABEL,SHINDAIWA	1		
20		X505-007710	LABEL,CAUTION	1		

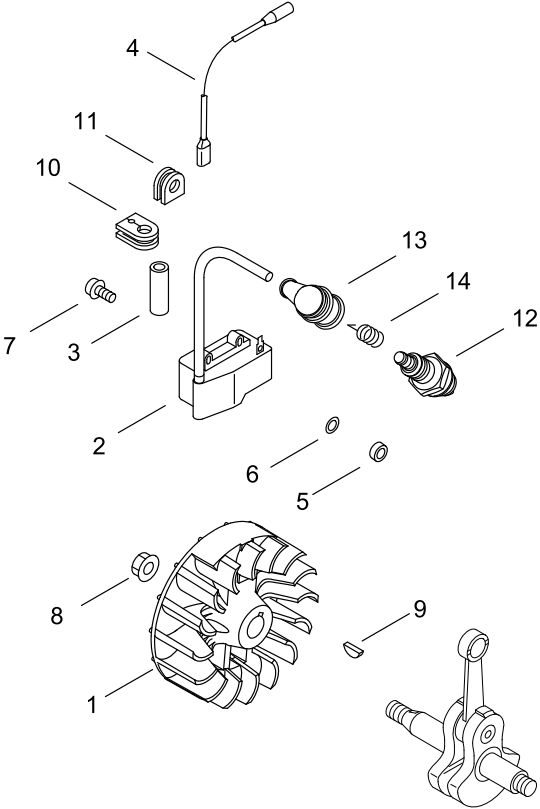
# CRANKCASE



## CRANKCASE

KEY NO	LV(+)	Part No	Description	Qty	Standard	Comment
1		P021-010801	CRANKCASE KIT	1		
2	+	94035-36201	BEARING BALL	1	6201X3JR2C3	
3	+	900162-05028	BOLT, H.S. 5*28	3	5*28 W,SW	
4	+	94035-36201	BEARING BALL	1	6201X3JR2C3	
5	+	100212-42031	OILSEAL	1	ISCD 12*22*4.5	
6	+	V505-000050	SEAL,OIL 12	1		
7	+	100242-42030	GASKET, CRANKCASE	1		
8		156635-43130	LEAD, GROUND	1		
9		A127-000160	COVER,DUST	1		
10		159116-21231	CLAMP	1		
11		900162-05016	BOLT, H.S. 5*16	1	5*16 W,SW	

# MAGNETO

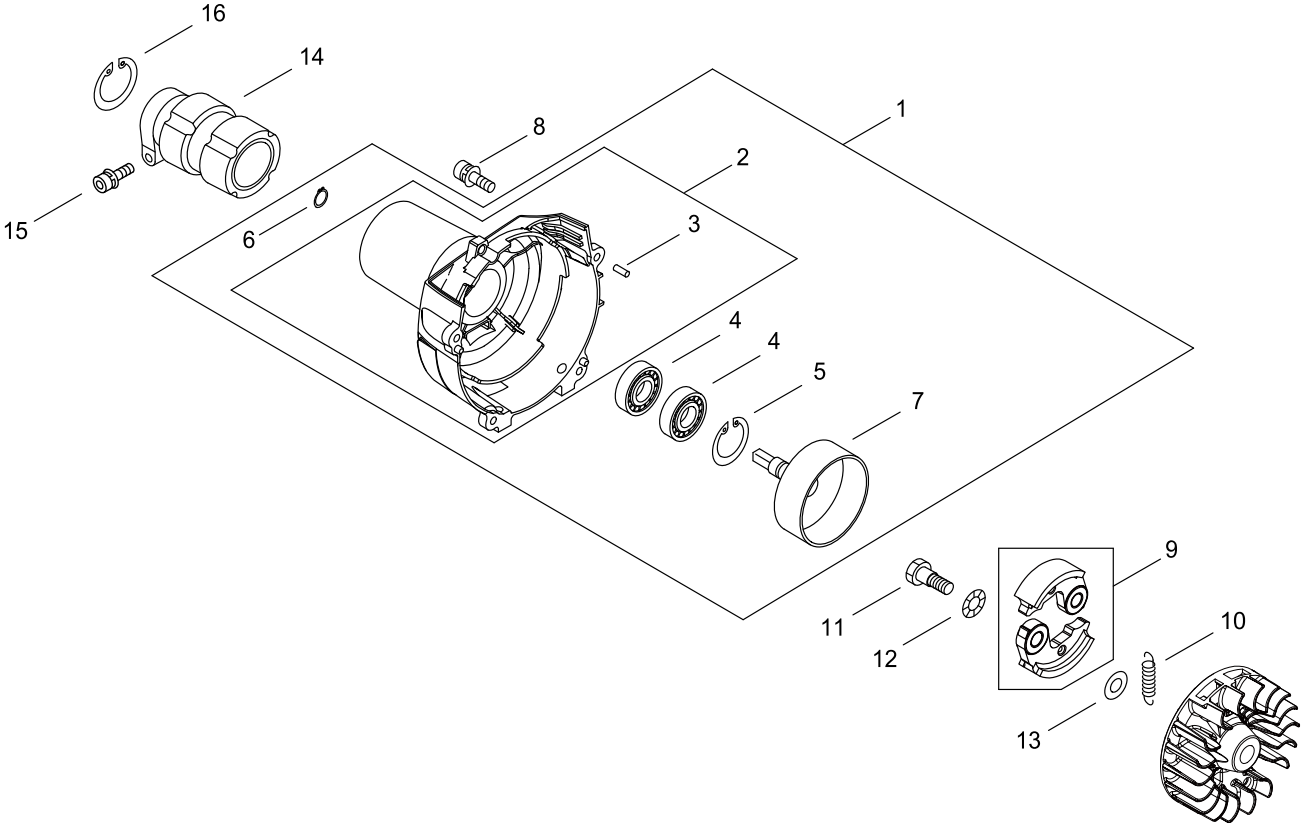


## MAGNETO

KEY NO	LV(+)	Part No	Description	Qty	Standard	Comment
1		A409-001222	ROTOR, MAGNETO	1	ID:C10744	
2		A411-000251	COIL, IGNITION	1	ID#C10048	
3		V475-003380	TUBE	1		
4		162010-04561	LEAD, GROUND	1	210L	
5		V322-000031	WASHER,CIRCULAR 4	2		
6		900603-00004	WASHER 4	2	4.5*10*0.8	
7		V202-000130	BOLT,4	2	CBF-4*20	
8		900515-00008	NUT, FLANGE 8	1	8	
9		100142-12330	KEY, WOODRUFF	1		
10		V135-000030	GROMMET,HT CORD	1		
11		156110-04920	BUSHING	1		
12		A425-000000	SPARKPLUG	1	BPMR8Y	
13		A427-000013	CAP,SPARK PLUG	1		
14		A426-000010	TERMINAL,SPARKPLUG	1		



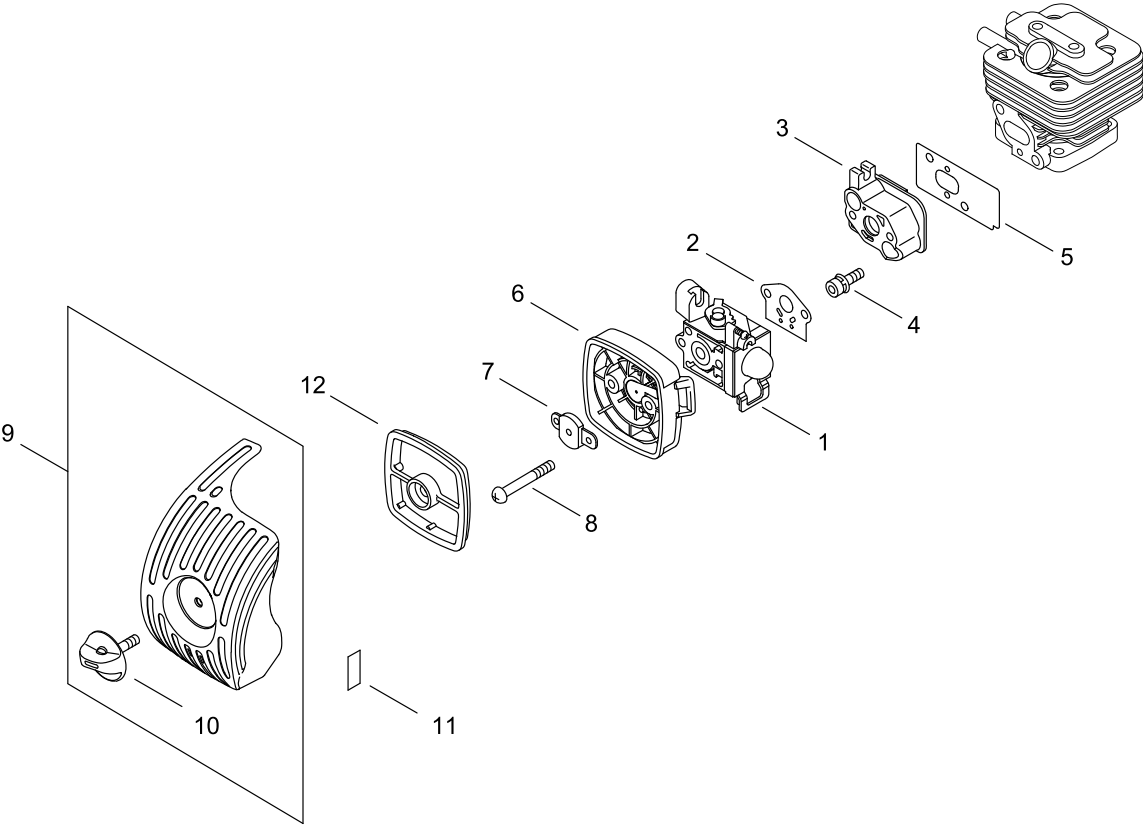
# CLUTCH



## CLUTCH

KEY NO	LV(+)	Part No	Description	Qty	Standard	Comment
1		P100-004150	COVER ASY, FAN	1		
2	+	A172-003330	COVER,FAN	1		
3	++	900330-40080	PIN F 4*8	2	4*8	
4	+	900807-06001	BEARING, BALL 6001	2	6001V(LB)	
5	+	900702-00028	CIRCLIP 28	1	CR-28	
6	+	900701-00012	CIRCLIP 12	1	CS-12	
7	+	A556-000390	DRUM, CLUTCH	1		
8		900163-04016	BOLT HSH	4		
9		P021-046900	CLUTCH SHOE SET	1		
10		V451-001390	SPRING,TENSION	1	172N/34MM	
11		175046-56030	SHAFT, CLUTCH	2		
12		175049-56030	WASHER	2	8.5*16*0.5	
13		175048-05530	WASHER (I)	2	6.2*19*1.0	
14		A575-000110	FIXTURE,MAIN PIPE	1		
15		900162-05028	BOLT, H.S. 5*28	1	5*28 W,SW	
16		900702-00042	CIRCLIP 42	1	CR-42	

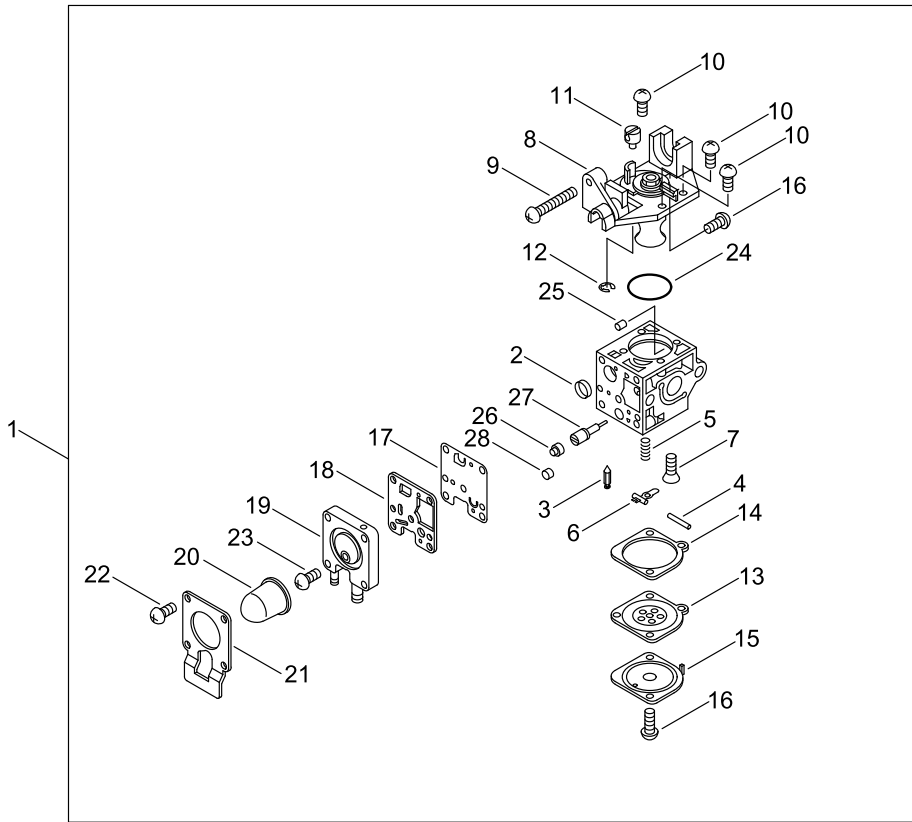
# AIR CLEANER, CARBURETOR



## AIR CLEANER, CARBURETOR

KEY NO	LV(+)	Part No	Description	Qty	Standard	Comment
1		A021-001742	CARBURETOR, DIAPHRAGM	1	ZAMA RB-K94	
2		V103-000270	GASKET,INTAKE	1	T1.5-11	
3		A200-000200	INSULATOR,INTAKE	1		
4		900162-05025	BOLT, H.S. 5*25	2	5*25 W,SW	
5		V103-000210	GASKET,INTAKE	1		
6		P021-034600	CASE, AIR CLEANER	1		
7		129011-52730	PLATE, PREVENT	1		
8		900242-05065	SCREW 5*65	2	5*65	
9		P100-004160	CLEANER COVER ASY	1		
10	+	V299-000520	KNOB,FASTENER	1	M5*22.5	
11		890332-52730	LABEL, CHOKE	1		
12		A226-001410	ELEMENT,AIR FILTER	1		

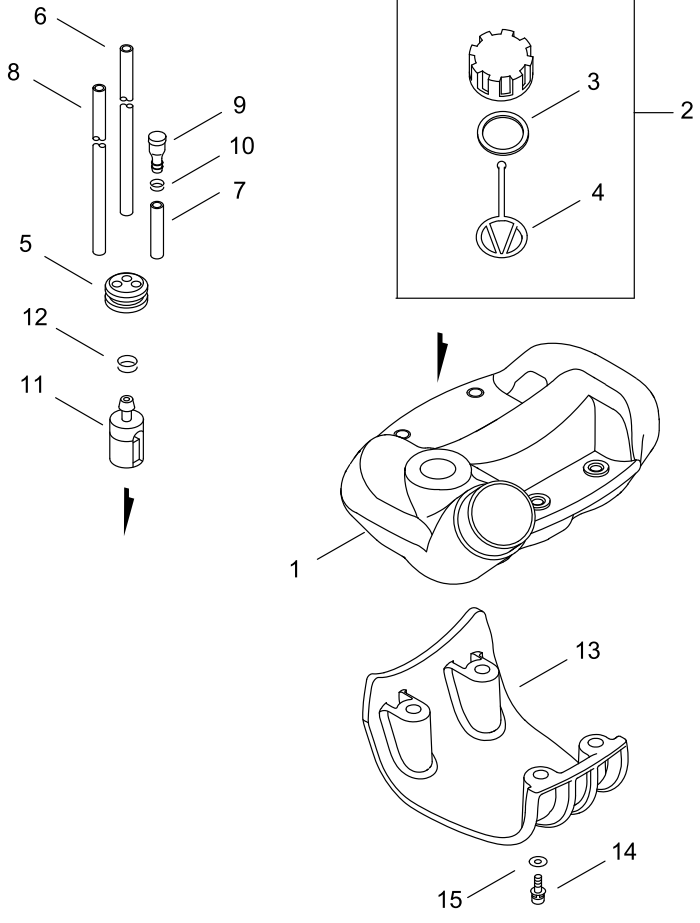
# CARBURETOR



## CARBURETOR

KEY NO	LV(+)	Part No	Description	Qty	Standard	Comment
1		A021-001742	CARBURETOR, DIAPHRAGM	1	ZAMA RB-K94	
2	+	P005-000010	STRAINER	1		
3	+	125337-08260	VALVE, INLET NEEDLE	1		
4	+	125338-13930	PIN, METERING ARM	1		
5	+	125322-07260	SPRING, COIL	1		
6	+	125323-08260	ARM, VALVE	1		
7	+	125339-42030	SCREW	1		
8	+	P005-002070	COVER ASY, ROTOR	1		
9	+	P005-000100	SCREW, THROTTLEADJUST	1		
10	+	125344-13931	SCREW	3		
11	+	P005-001240	POST	1		
12	+	P005-000190	E-RING	1		
13	+	P005-002230	DIAPHRAGM ,METERING	1		
14	+	P005-000200	GASKET, METERING	1		
15	+	125342-52130	COVER, DIAPHRAGM	1		
16	+	125344-52130	SCREW	3		
17	+	P005-000510	DIAPHRAGM, PUMP	1		
18	+	P005-000520	GASKET, PUMP	1		
19	+	P005-001890	BASE, ASY PRIMER	1		
20	+	P005-003110	PUMP, PRIMER	1		
21	+	P005-000250	RETAINER	1		
22	+	P005-001900	SCREW	4		
23	+	P005-000270	SCREW	1		
24	+	P005-000280	O-RING	1		
25	+	P005-001000	ROLLER, GUIDE	1		
26	+	P005-001250	RETAINER,PLUG BALL	1		
27	+	P005-001290	SCREW,MAINN MIXTURE	1		
28	+	P005-001270	PLUG, H AJUST SCREW	1		

# FUEL TANK

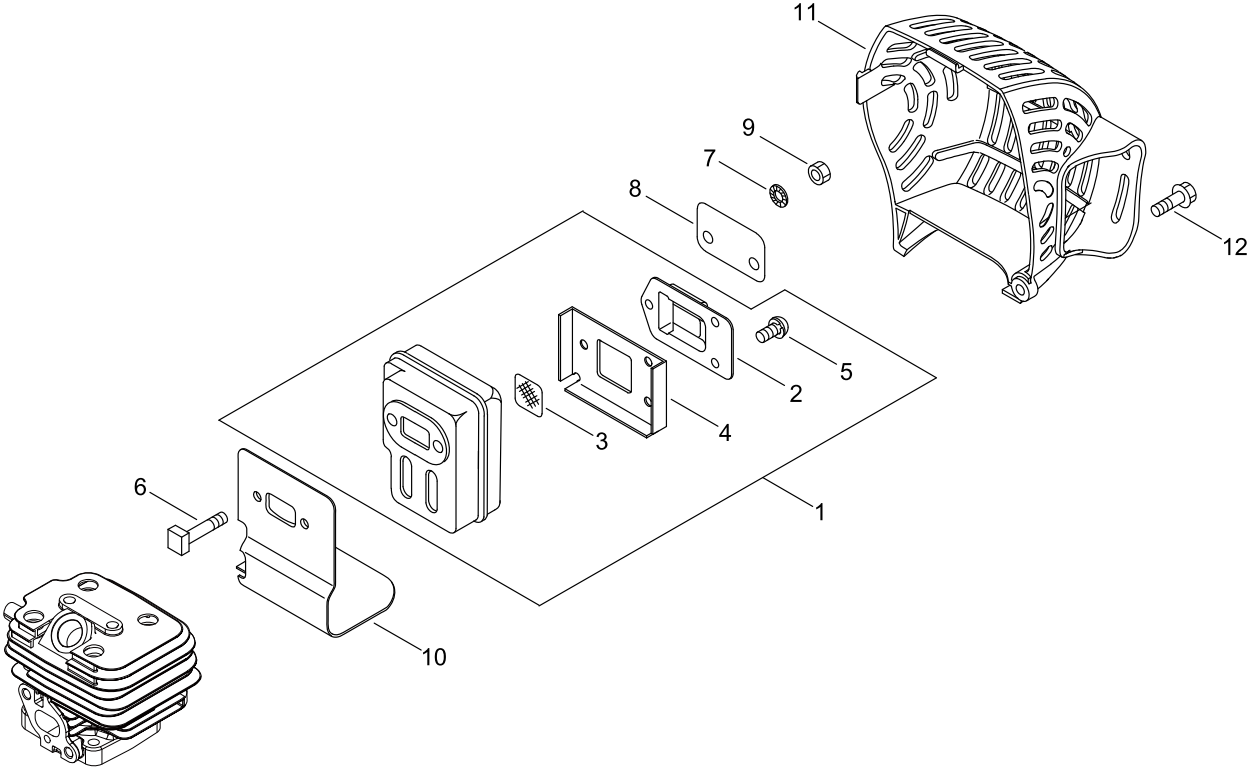


## FUEL TANK

KEY NO	LV(+)	Part No	Description	Qty	Standard	Comment
1		A350-000440	TANK, FUEL	1		
2		P021-014060	CAP,FUER ASSY	1		
3	+	131016-55830	GASKET, FUEL CAP	1		
4	+	131051-56030	CLIP, FUEL CAP	1	100L	
5		132115-55930	GROMMET, FUEL	1		
6		V470-000580	PIPE	1	3*5*195	
7		V471-001180	PIPE	1	3*6*35 NBR	
8		132010-40830	PIPE 3* 6* 75	1	3*6*75 YL	
9		A356-000031	VALVE,CHECK	1		
10		V490-001230	CLIP	1		
11		A369-000001	STRAINER, FUEL	1	125-528	
12		V490-001240	CLIP	1		
13		A175-000030	STAND	1		
14		900162-05025	BOLT, H.S. 5*25	4	5*25 W,SW	
15		900603-00005	WASHER 5	4	5.5*12*0.8	



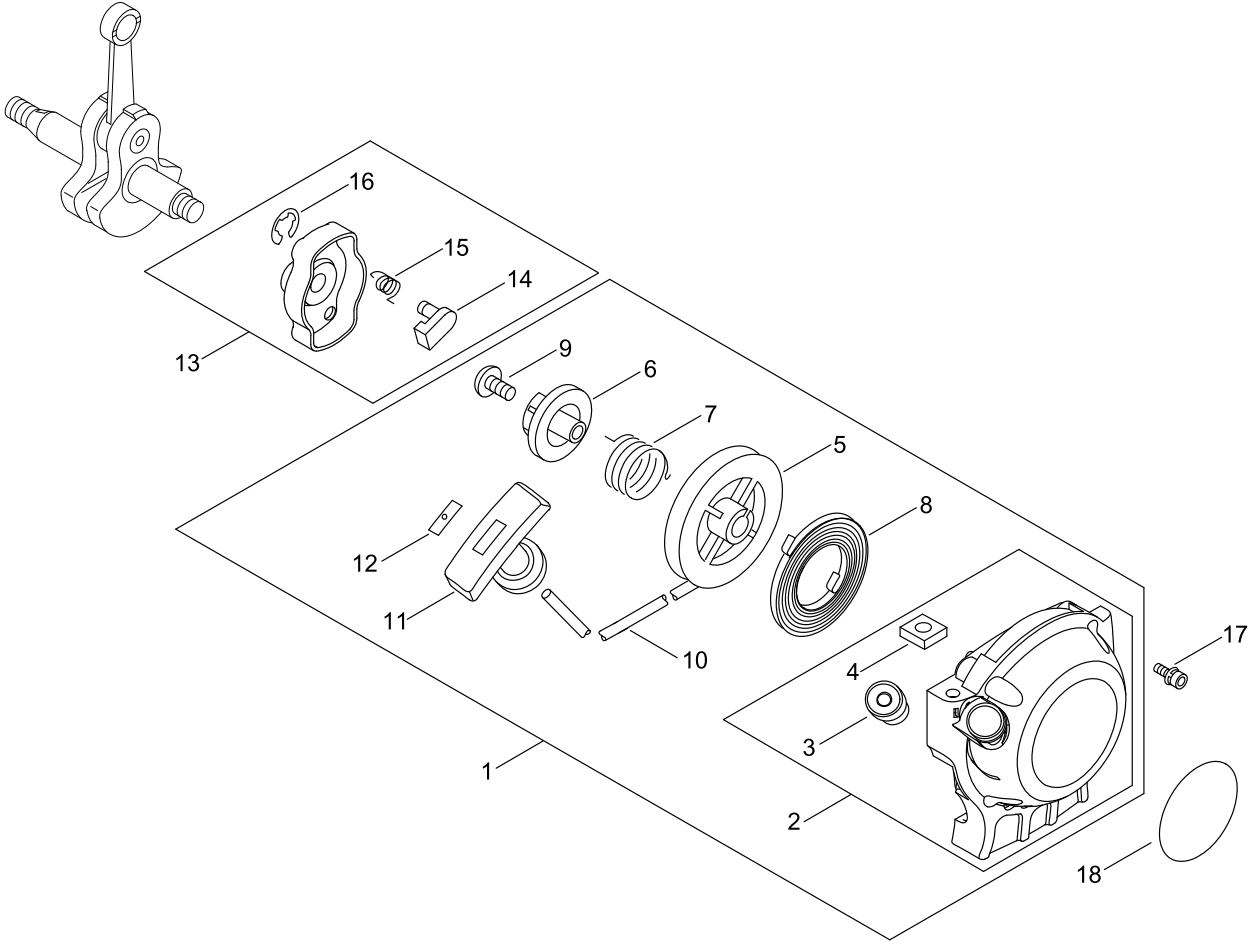
# MUFFLER



## MUFFLER

KEY NO	LV(+)	Part No	Description	Qty	Standard	Comment
1		P021-011580	MUFFLER ASY	1		
2	+	A313-000830	GUIDE, EXHAUST	1	ID#1330	
3	+	145862-40630	SCREEN, MUFFLER	1		
4	+	V104-000790	GASKET,EXHAUST	1		
5	+	91367-04010	SCREW	3	4*10/SW(SUS)	
6		V203-000120	BOLT,5	2	L=60	
7		92280-05000	WASHER, NORD-LOCK	2	NL5 5.4*9*1.8	
8		V150-001760	PLATE,EYE	1		
9		900500-00005	NUT 5	2	5	
10		V104-000780	GASKET,EXHAUST	1		
11		A320-000341	COVER,MUFFLER	1		
12		900106-05014	BOLT, H.S. 5*14	1	5*14	

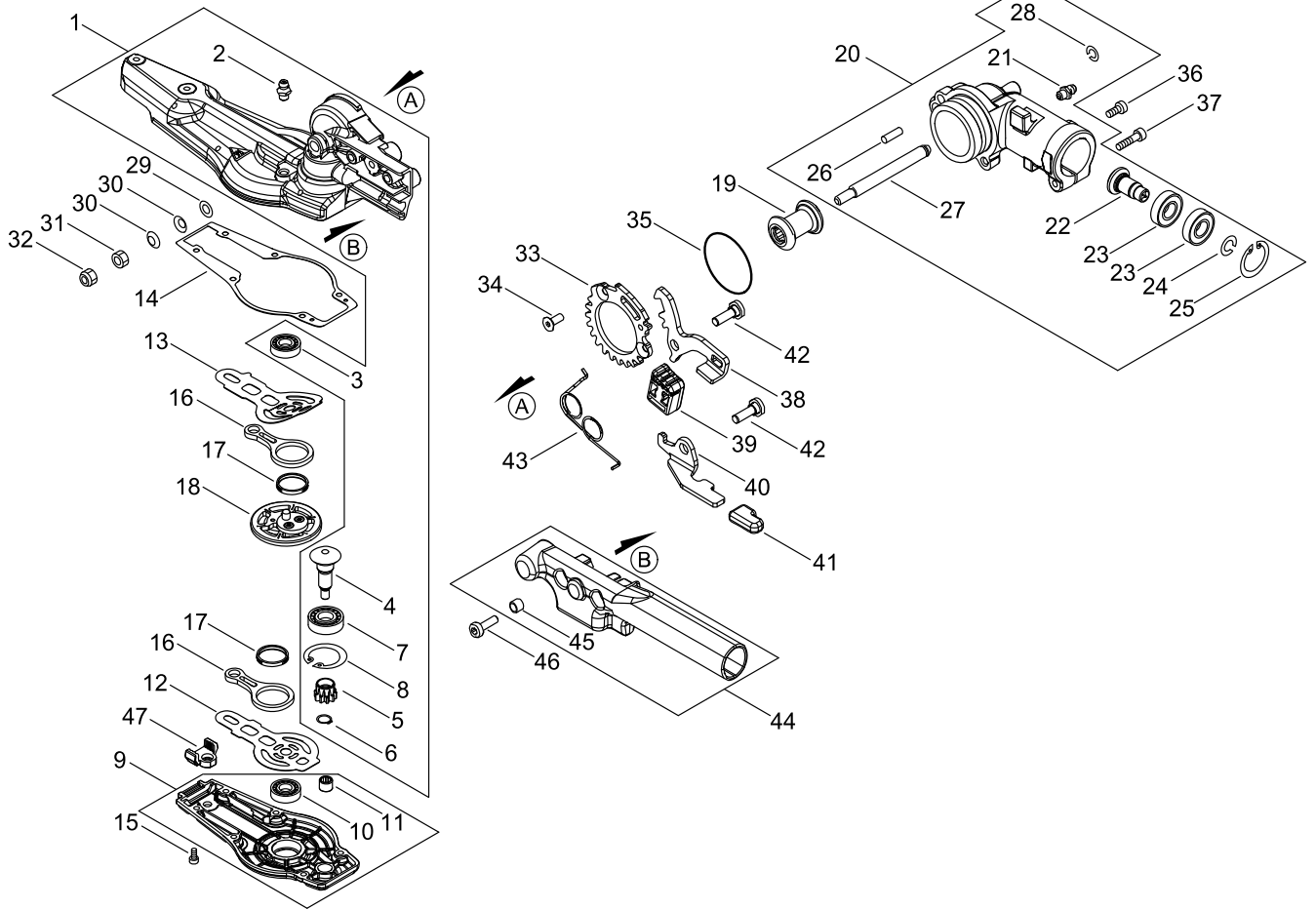
RECOIL STARTER, PULLY



## RECOIL STARTER, PULLY

KEY NO	LV(+)	Part No	Description	Qty	Standard	Comment
1		A051-000941	STARTER,RECOIL	1		
2	+	P022-049100	STATER CASE	1		
3	++	177227-42030	GUIDE, ROPE	1		
4	++	P022-022010	NUT	4		
5	+	P022-027980	DRUM, STARTER	1		
6	+	P022-028000	PLATE, CAM	1		
7	+	P022-008270	SPRING,DAMPER	1		
8	+	177220-42030	SPRING, REWIND	1		
9	+	177236-61830	SCREW	1		
10	+	P022-008260	ROPE	1	3M/M	
11	+	177228-27030	GRIP, STARTER	1		
12	+	P022-037670	STOPPER, ROPE	1		
13		A052-000180	PULLEY,ASM STARTER	1		
14	+	P022-006850	PAWL, STARTER	2		
15	+	P022-006510	SPRING, RETURN	2		
16	+	P022-002100	E-RING	2	4	
17		900163-04016	BOLT HSH	4		
18		X504-007680	LABEL,BRAND	1	SHINDAIWA 47	

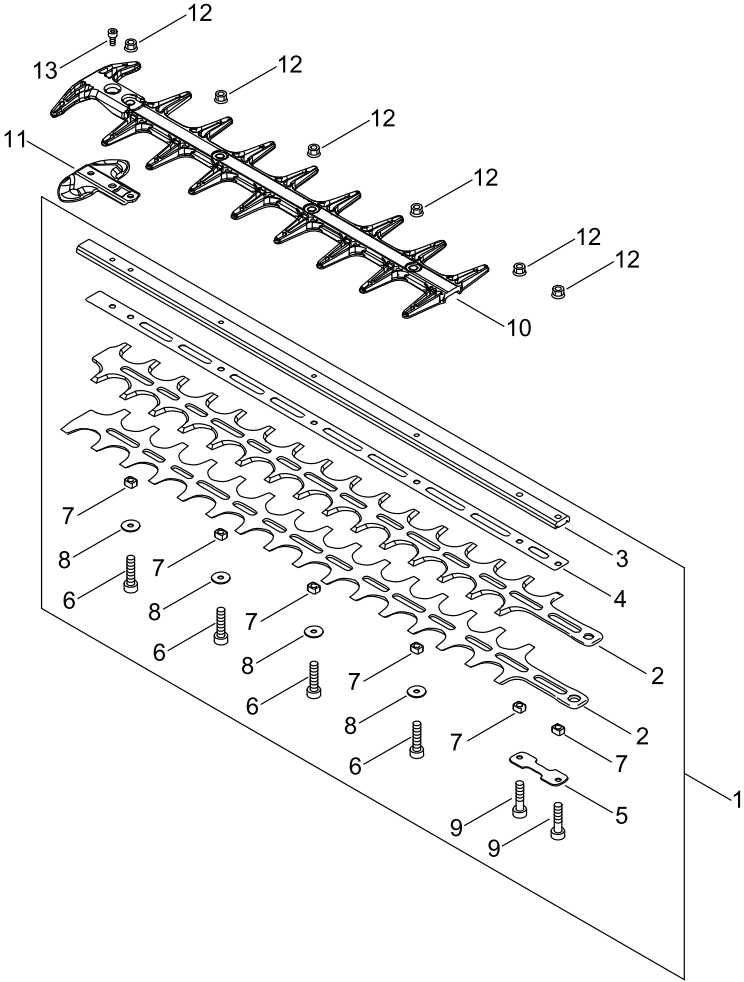
# GEAR CASE



## GEAR CASE

KEY NO	LV(+)	Part No	Description	Qty	Standard	Comment
1		P100-003620	CASE,GEAR ASY	1		
2	+	V187-000080	GREASE NIPPLE	1		
3	+	900800-00608	BEARING, BALL 608	1	608	
4	+	V655-000110	SHAFT,PINION	1		
5	+	V650-000730	GEAR,SPUR	1		
6	+	900701-00008	RING, RETAINING(EX)	1	CS-8	
7	+	900800-06001	BEARING, BALL 6001	1	6001	
8	+	900702-00028	CIRCLIP 28	1	CR-28	
9		P100-003630	LID ASY, GEARCASE	1		
10	+	900800-00608	BEARING, BALL 608	1	608	
11	+	V551-000000	BEARING,NEEDLE 6	1	HK0609FM	
12		V150-004310	PLATE,EYE	1	T0.5	
13		V150-004320	PLATE,EYE	1	T0.5	
14		V110-000200	GASKET,GEAR CASE	1	T0.3	
15		V804-000050	BOLT, TORX 4	6	TB-4*12 10.9	
16		C532-000530	ROD, CONNECTING	2		
17		V572-000000	BEARING, NEEDLE	2		
18		V060-000130	GEAR,SPUR	1		
19		P100-003640	GEAR,BEVEL	1		
20		P100-003790	CASE,GEAR ASY	1		
21	+	V187-000080	GREASE NIPPLE	1		
22	+	V651-001100	GEAR,BEVEL	1		
23	+	900857-06901	BEARING, BALL 6901	2	6901LLU	
24	+	900706-00012	CIRCLIP 12	1	WR-12	
25	+	900702-00024	CIRCLIP 24	1	CR-24	
26	+	V623-000120	PIN,STRAIGHT 5	1	L15.5	
27	+	C534-001100	SHAFT, GEAR	1		
28	+	92411-08000	RING	1	WR-8	
29		900603-00006	WASHER 6	1	6.5*13*1	
30		V347-000030	CONE WASHER	2		
31		900502-00006	NUT 6 (3N)	1	3N6	
32		900560-00006	NUT, LOCK	1	6	
33		C465-000040	RESETTER, LATCH	1		
34		900175-05012	BOLT, H.S.H	2	5*12	
35		900724-00035	O-RING 35	1	S-35	
36		V805-000130	BOLT, TORX 5	1	TB-5*10 10.9	
37		V805-000170	BOLT, TORX 5	1	TB-5*25 10.9	
38		C661-000210	LEVER, RELEASE	1		
39		V494-001070	CAP	1		
40		C661-000220	LEVER, RELEASE	1		
41		V494-000891	CAP	1		
42		V204-000580	PIN RATCHET	2		
43		V452-001740	SPRING,TORSION	1		
44		C403-000880	GRIP, HANDLE	1		
45	+	131045-28230	COLLAR	2		
46		V805-000150	BOLT, TORX 5	2	TB-5*16 10.9	
47		V541-000620	SEAL	1		

# CUTTING BLADE

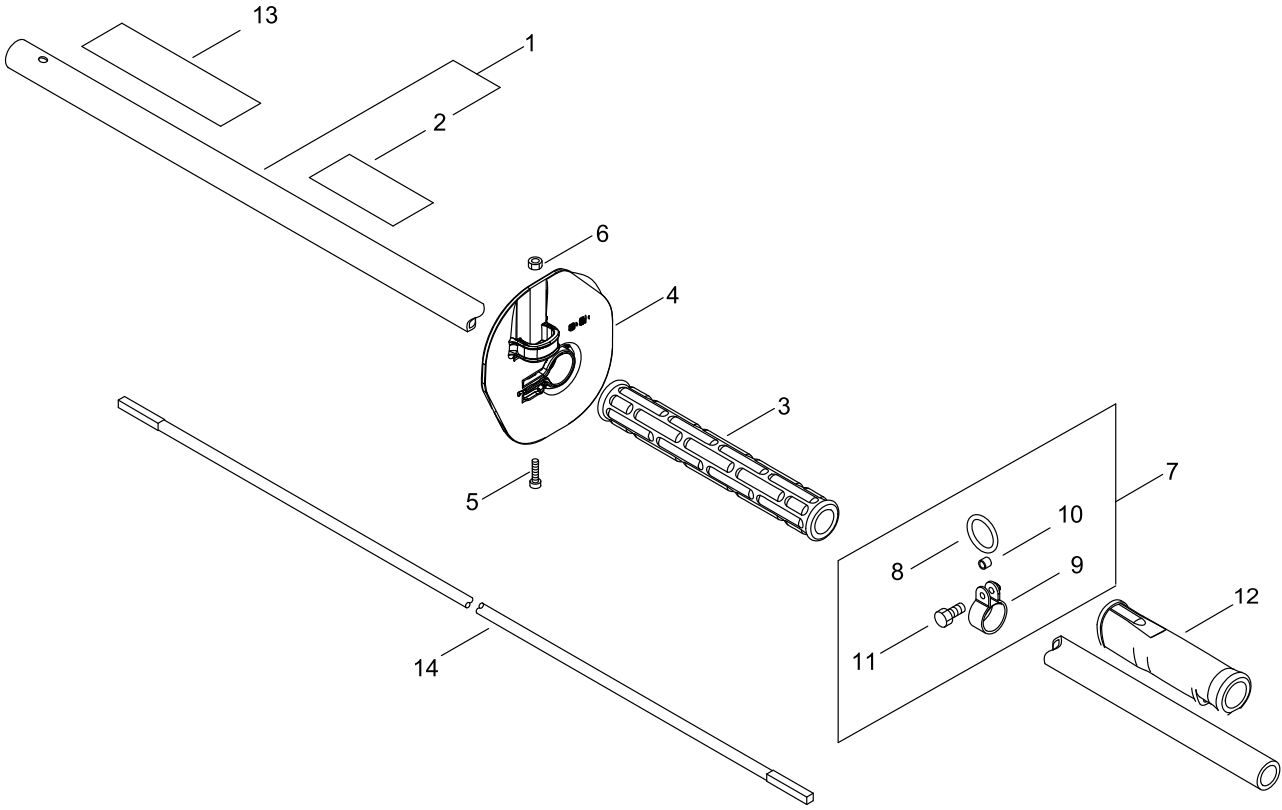


## CUTTING BLADE

KEY NO	LV(+)	Part No	Description	Qty	Standard	Comment
1		X041-000630	CUTTER,ASM	1		
2	+	X411-001360	CUTTER	2		
3	+	X425-001030	SUPPORT,CUTTER	1		
4	+	X425-001040	SUPPORT,CUTTER	1		
5	+	V150-004330	PLATE,EYE	1		
6	+	V805-000170	BOLT, TORX 5	4	TB-5*25 10.9	
7	+	V353-000250	COLLAR	6	9*7.45*5.3	
8	+	V303-000290	WASHER	4		
9	+	V805-000180	BOLT, TORX 5	2	TB-5*30 12.9	
10		X431-000250	BLUNT	1		
11		E278-000311	PROTECTOR	1	NEW-SHC	
12		92108-05000	NUT, FLANGE	6		
13		V805-000120	BOLT, TORX 5	1	TB-5*8 10.9	



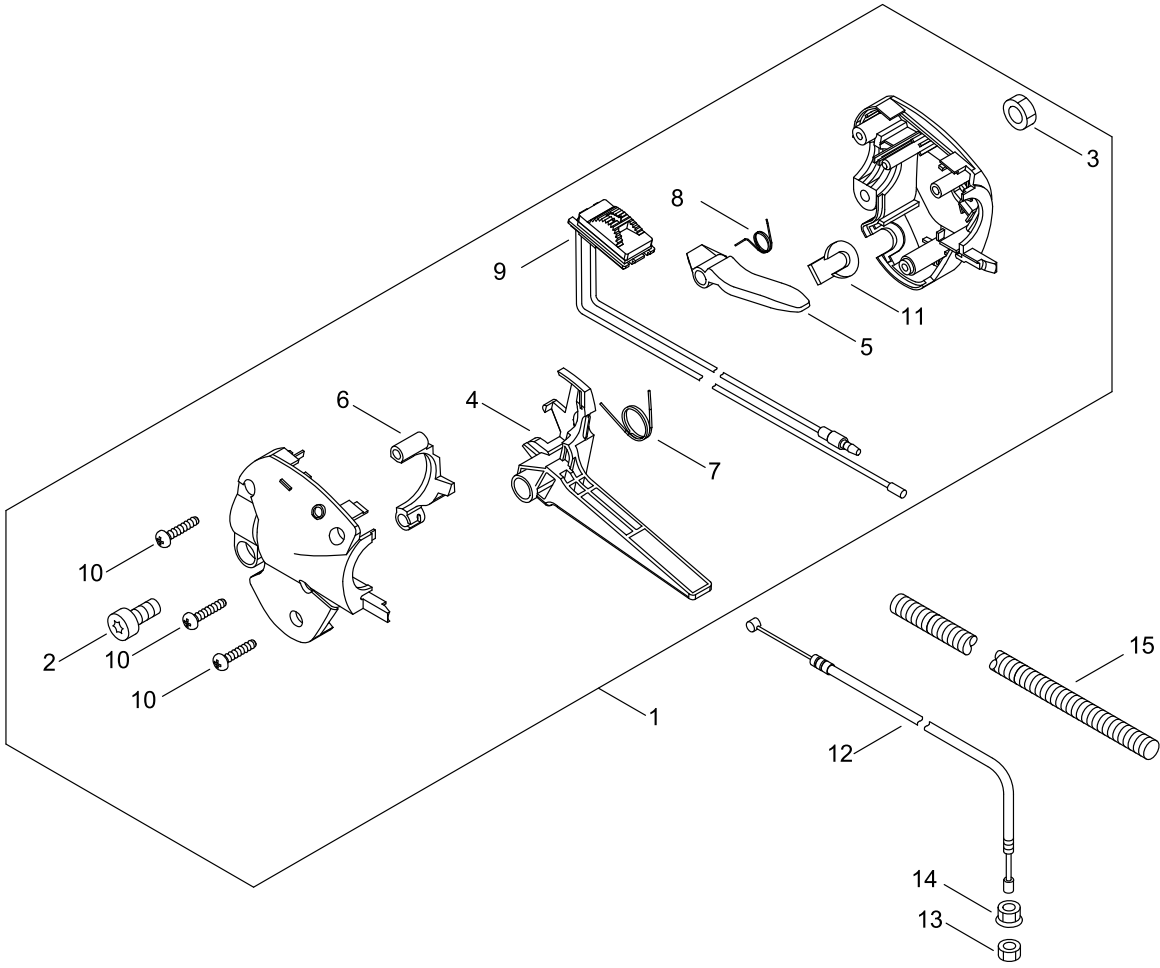
MAIN PIPE



## MAIN PIPE

KEY NO	LV(+)	Part No	Description	Qty	Standard	Comment
1		P100-004140	MAIN PIPE ASY	1		
2	+	X505-002890	LABEL CAUTION	1		
3		C403-000470	GRIP	1		
4		C440-000022	GUARD,HAND	1	BLADE HOLD-DOWN	
5		V805-000160	BOLT, TORX 5	1	TB-5*20 10.9	
6		900500-00005	NUT 5	1	5	
7		P100-004100	HOOK ASY	1		
8	+	301016-52730	RING,HARNESS	1		
9	+	301207-08930	HOOK	1		
10	+	699012-03330	SPACER	1		
11	+	900100-05018	BOLT 5*18	1	5*18	
12		C403-000612	GRIP, HANDLE	1		
13		X504-001100	LABEL TRADE	1		
14		C506-000390	SHAFT, FLEXIBLE	1	59.920 LNG	

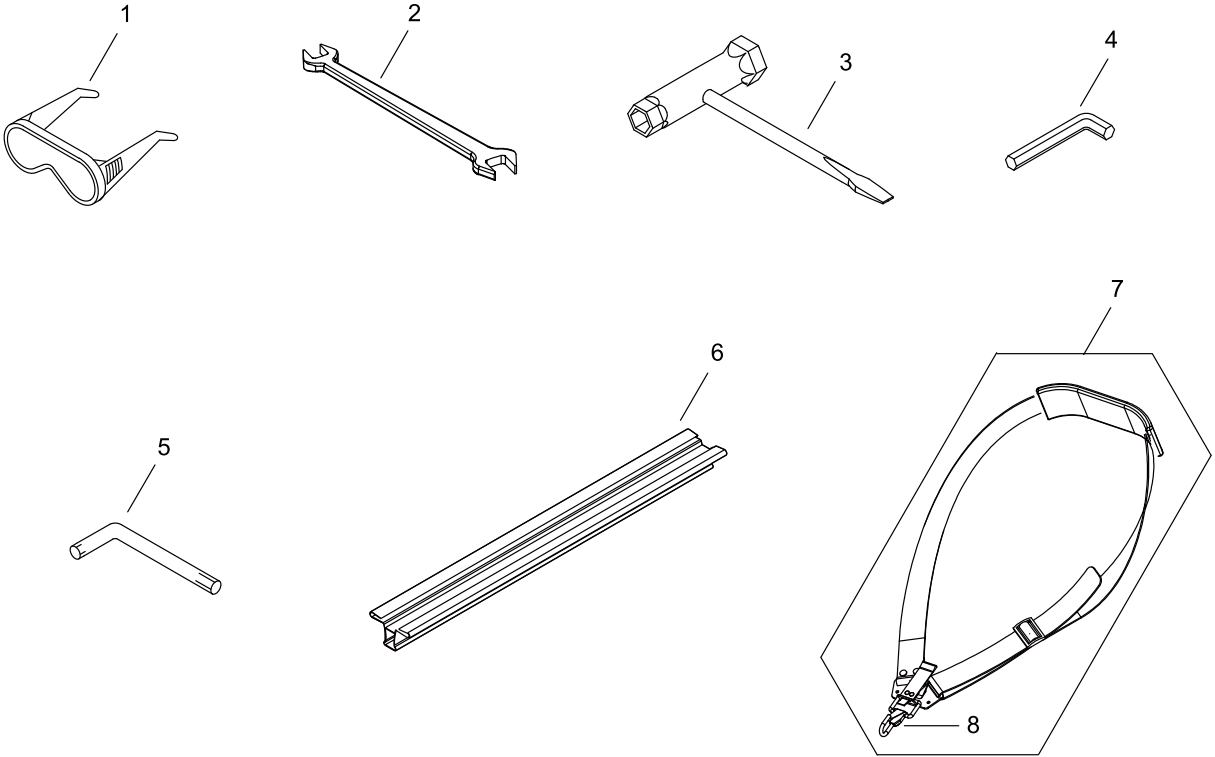
# THROTTLE



## THROTTLE

KEY NO	LV(+)	Part No	Description	Qty	Standard	Comment
1		P021-043720	THROTTLE LEVER ASY	1		
2	+	V805-000150	BOLT, TORX 5	1	TB-5*16 10.9	
3	+	900500-00005	NUT 5	1	5	
4	+	C450-000480	LEVER	1		
5	+	C460-000190	LOCK LEVER	1		
6	+	C461-000020	HOLDER	1		
7	+	P022-025820	SPRING, THR. RETURN	1		
8	+	V452-000500	COIL SPRING	1		
9	+	P022-035260	SWITCH, ON OFF	1		
10	+	P022-032480	SCREW	3		
11	+	P022-025790	PLUG	1		
12		V430-004510	CABLE,BOWDEN	1		
13		900502-00006	NUT 6 (3N)	1	3N6	
14		900518-00006	NUT, FLANGE	1	6	
15		V475-009240	TUBE	1		

# ACCESSORIES



## ACCESSORIES

KEY NO	LV(+)	Part No	Description	Qty	Standard	Comment
1		X690-000080	GOGGLE	1	SI CHINA, Z87.1	
2		895112-00330	SPANNER 8*10	1		
3		895410-03930	WRENCH, W/S. DRIVER	1		
4		X605-000200	TOOL,L WRENCH	1	4MM M5	
5		X605-000170	TOOL,L WRENCH	1		
6		X495-000780	SCABBARD,BLADE	1		
7		C062-000390	STRAP ASSY	1		
8	+	C649-000200	HOOK	1		

# NUMERICAL PARTS INDEX

Part No	Part description	Page	Part No	Part description	Page	Part No	Part description	Page
100012-16131	BEARING, NEEDLE	2	900162-05025	BOLT, H.S. 5*25	10	A101-000170	RING, PISTON	2
100013-35430	PIN, PISTON	2	900162-05025	BOLT, H.S. 5*25	14	A127-000160	COVER,DUST	4
100014-53630	SPACER, PISTON PIN	2	900162-05028	BOLT, H.S. 5*28	4	A130-000761	CYLINDER	2
100015-03931	CIRCLIP, PISTON PIN	2	900162-05028	BOLT, H.S. 5*28	8	A160-000691	COVER,CYLINDER	2
100142-12330	KEY, WOODRUFF	6	900163-04016	BOLT HSH	8	A160-002900	COVER,CYLINDER	2
100212-42031	OILSEAL	4	900163-04016	BOLT HSH	18	A162-000080	GUARD, TOP	2
100242-42030	GASKET, CRANKCASE	4	900175-05012	BOLT, H.S.H	20	A162-000100	GUARD, TOP	2
125322-07260	SPRING, COIL	12	900242-05065	SCREW 5*65	10	A172-003330	COVER,FAN	8
125323-08260	ARM, VALVE	12	900256-05016	SCREW, TAPPING	2	A175-000030	STAND	14
125337-08260	VALVE, INLET NEEDLE	12	900330-40080	PIN F 4*8	8	A200-000200	INSULATOR,INTAKE	10
125338-13930	PIN, METERING ARM	12	900500-00005	NUT 5	16	A226-001410	ELEMENT,AIR FILTER	10
125339-42030	SCREW	12	900500-00005	NUT 5	24	A313-000830	GUIDE, EXHAUST	16
125342-52130	COVER, DIAPHRAGM	12	900500-00005	NUT 5	26	A320-000341	COVER,MUFFLER	16
125344-13931	SCREW	12	900502-00006	NUT 6 (3N)	20	A350-000440	TANK, FUEL	14
125344-52130	SCREW	12	900502-00006	NUT 6 (3N)	26	A356-000031	VALVE,CHECK	14
129011-52730	PLATE, PREVENT	10	900515-00008	NUT, FLANGE 8	6	A369-000001	STRAINER, FUEL	14
131016-55830	GASKET, FUEL CAP	14	900518-00006	NUT, FLANGE	26	A409-001222	ROTOR, MAGNETO	6
131045-28230	COLLAR	20	900560-00006	NUT, LOCK	20	A411-000251	COIL, IGNITION	6
131051-56030	CLIP, FUEL CAP	14	900603-00004	WASHER 4	6	A425-000000	SPARKPLUG	6
132010-40830	PIPE 3* 6* 75	14	900603-00005	WASHER 5	14	A426-000010	TERMINAL,SPARKPLUG	6
132115-55930	GROMMET, FUEL	14	900603-00006	WASHER 6	20	A427-000013	CAP,SPARK PLUG	6
145862-40630	SCREEN, MUFFLER	16	900701-00008	RING, RETAINING(EX)	20	A556-000390	DRUM, CLUTCH	8
156110-04920	BUSHING	6	900701-00012	CIRCLIP 12	8	A575-000110	FIXTURE,MAIN PIPE	8
156635-43130	LEAD, GROUND	4	900702-00024	CIRCLIP 24	20	C062-000390	STRAP ASSY	28
159116-21231	CLAMP	4	900702-00028	CIRCLIP 28	8	C403-000470	GRIP	24
162010-04561	LEAD, GROUND	6	900702-00028	CIRCLIP 28	20	C403-000612	GRIP, HANDLE	24
175046-56030	SHAFT, CLUTCH	8	900702-00042	CIRCLIP 42	8	C403-000880	GRIP, HANDLE	20
175048-05530	WASHER (I)	8	900706-00012	CIRCLIP 12	20	C440-000022	GUARD,HAND	24
175049-56030	WASHER	8	900724-00035	O-RING 35	20	C450-000480	LEVER	26
177220-42030	SPRING, REWIND	18	900800-00608	BEARING, BALL 608	20	C460-000190	LOCK LEVER	26
177227-42030	GUIDE, ROPE	18	900800-06001	BEARING, BALL 6001	20	C461-000020	HOLDER	26
177228-27030	GRIP, STARTER	18	900807-06001	BEARING, BALL 6001	8	C465-000040	RESETTER, LATCH	20
177236-61830	SCREW	18	900857-06901	BEARING, BALL 6901	20	C506-000390	SHAFT, FLEXIBLE	24
301016-52730	RING,HARNESS	24	91140-05012	BOLT	2	C532-000530	ROD, CONNECTING	20
301207-08930	HOOK	24	91367-04010	SCREW	16	C534-001100	SHAFT, GEAR	20
699012-03330	SPACER	24	92108-05000	NUT, FLANGE	22	C649-000200	HOOK	28
890332-52730	LABEL, CHOKE	10	92280-05000	WASHER, NORD-LOCK	16	C661-000210	LEVER, RELEASE	20
895112-00330	SPANNER 8*10	28	92411-08000	RING	20	C661-000220	LEVER, RELEASE	20
895410-03930	WRENCH, W/S. DRIVER	28	94035-36201	BEARING BALL	4	E278-000311	PROTECTOR	22
900100-05018	BOLT 5*18	24	A011-000434	CRANKSHAFT,ASY	2	P005-000010	STRAINER	12
900106-05008	BOLT, H.S. 5* 8	2	A021-001742	CARBURETOR, DIAPHRAGM	10	P005-000100	SCREW, THROTTLEADJUST	12
900106-05014	BOLT, H.S. 5*14	2	A021-001742	CARBURETOR, DIAPHRAGM	12	P005-000190	E-RING	12
900106-05014	BOLT, H.S. 5*14	16	A051-000941	STARTER,RECOIL	18	P005-000200	GASKET, METERING	12
900162-05016	BOLT, H.S. 5*16	4	A052-000180	PULLEY,ASM STARTER	18	P005-000250	RETAINER	12
900162-05025	BOLT, H.S. 5*25	2						

# NUMERICAL PARTS INDEX

Part No	Part description	Page	Part No	Part description	Page	Part No	Part description	Page
P005-000270	SCREW	12	V103-000210	GASKET,INTAKE	10	V805-000170	BOLT, TORX 5	20
P005-000280	O-RING	12	V103-000270	GASKET,INTAKE	10	V805-000170	BOLT, TORX 5	22
P005-000510	DIAPHRAGM, PUMP	12	V104-000780	GASKET,EXHAUST	16	V805-000180	BOLT, TORX 5	22
P005-000520	GASKET, PUMP	12	V104-000790	GASKET,EXHAUST	16	X041-000630	CUTTER,ASM	22
P005-001000	ROLLER, GUIDE	12	V110-000200	GASKET,GEAR CASE	20	X411-001360	CUTTER	22
P005-001240	POST	12	V135-000030	GROMMET,HT CORD	6	X425-001030	SUPPORT,CUTTER	22
P005-001250	RETAINER,PLUG BALL	12	V150-001760	PLATE,EYE	16	X425-001040	SUPPORT,CUTTER	22
P005-001270	PLUG, H AJUST SCREW	12	V150-004310	PLATE,EYE	20	X431-000250	BLUNT	22
P005-001290	SCREW,MAINN MIXTURE	12	V150-004320	PLATE,EYE	20	X495-000780	SCABBARD,BLADE	28
P005-001890	BASE, ASY PRIMER	12	V150-004330	PLATE,EYE	22	X504-001100	LABEL TRADE	24
P005-001900	SCREW	12	V187-000080	GREASE NIPPLE	20	X504-007680	LABEL,BRAND	18
P005-002070	COVER ASY, ROTOR	12	V202-000130	BOLT,4	6	X505-002890	LABEL CAUTION	24
P005-002230	DIAPHRAGM ,METERING	12	V203-000120	BOLT,5	16	X505-007710	LABEL,CAUTION	2
P005-003110	PUMP, PRIMER	12	V204-000580	PIN RATCHET	20	X562-000760	LABEL,SHINDAIWA	2
P021-009771	PISTON KIT	2	V299-000520	KNOB,FASTENER	10	X605-000170	TOOL,L WRENCH	28
P021-010801	CRANKCASE KIT	4	V303-000290	WASHER	22	X605-000200	TOOL,L WRENCH	28
P021-011580	MUFFLER ASY	16	V322-000031	WASHER,CIRCULAR 4	6	X690-000080	GOGGLE	28
P021-014060	CAP,FUER ASSY	14	V347-000030	CONE WASHER	20			
P021-034600	CASE, AIR CLEANER	10	V353-000250	COLLAR	22			
P021-043720	THROTTLE LEVER ASY	26	V430-004510	CABLE,BOWDEN	26			
P021-046900	CLUTCH SHOE SET	8	V451-001390	SPRING,TENSION	8			
P022-002100	E-RING	18	V452-000500	COIL SPRING	26			
P022-006510	SPRING, RETURN	18	V452-001740	SPRING,TORSION	20			
P022-006850	PAWL, STARTER	18	V470-000580	PIPE	14			
P022-008260	ROPE	18	V471-001180	PIPE	14			
P022-008270	SPRING,DAMPER	18	V475-003380	TUBE	6			
P022-022010	NUT	18	V475-009240	TUBE	26			
P022-025790	PLUG	26	V490-001230	CLIP	14			
P022-025820	SPRING, THR. RETURN	26	V490-001240	CLIP	14			
P022-027980	DRUM, STARTER	18	V494-000891	CAP	20			
P022-028000	PLATE, CAM	18	V494-001070	CAP	20			
P022-032480	SCREW	26	V505-000050	SEAL,OIL 12	4			
P022-035260	SWITCH, ON OFF	26	V541-000620	SEAL	20			
P022-037670	STOPPER, ROPE	18	V551-000000	BEARING,NEEDLE 6	20			
P022-049100	STATER CASE	18	V572-000000	BEARING, NEEDLE	20			
P100-003620	CASE,GEAR ASY	20	V623-000120	PIN,STRAIGHT 5	20			
P100-003630	LID ASY, GEARCASE	20	V650-000730	GEAR,SPUR	20			
P100-003640	GEAR,BEVEL	20	V651-001100	GEAR,BEVEL	20			
P100-003790	CASE,GEAR ASY	20	V655-000110	SHAFT,PINION	20			
P100-004100	HOOK ASY	24	V804-000050	BOLT, TORX 4	20			
P100-004140	MAIN PIPE ASY	24	V805-000120	BOLT, TORX 5	22			
P100-004150	COVER ASY, FAN	8	V805-000130	BOLT, TORX 5	20			
P100-004160	CLEANER COVER ASY	10	V805-000150	BOLT, TORX 5	20			
V060-000130	GEAR,SPUR	20	V805-000150	BOLT, TORX 5	26			
V100-000210	GASKET,CYL	2	V805-000160	BOLT, TORX 5	24			