



PARTS CATALOG

SHAFT HEDGE TRIMMER

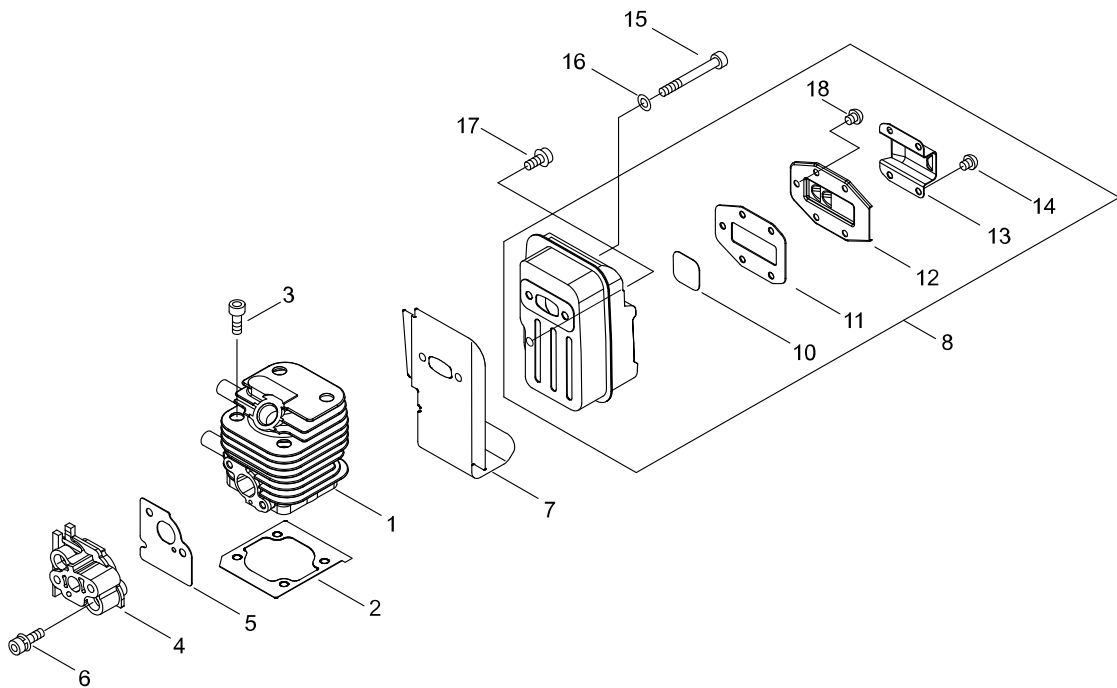
AHS243S-LW(37)

37100001 -



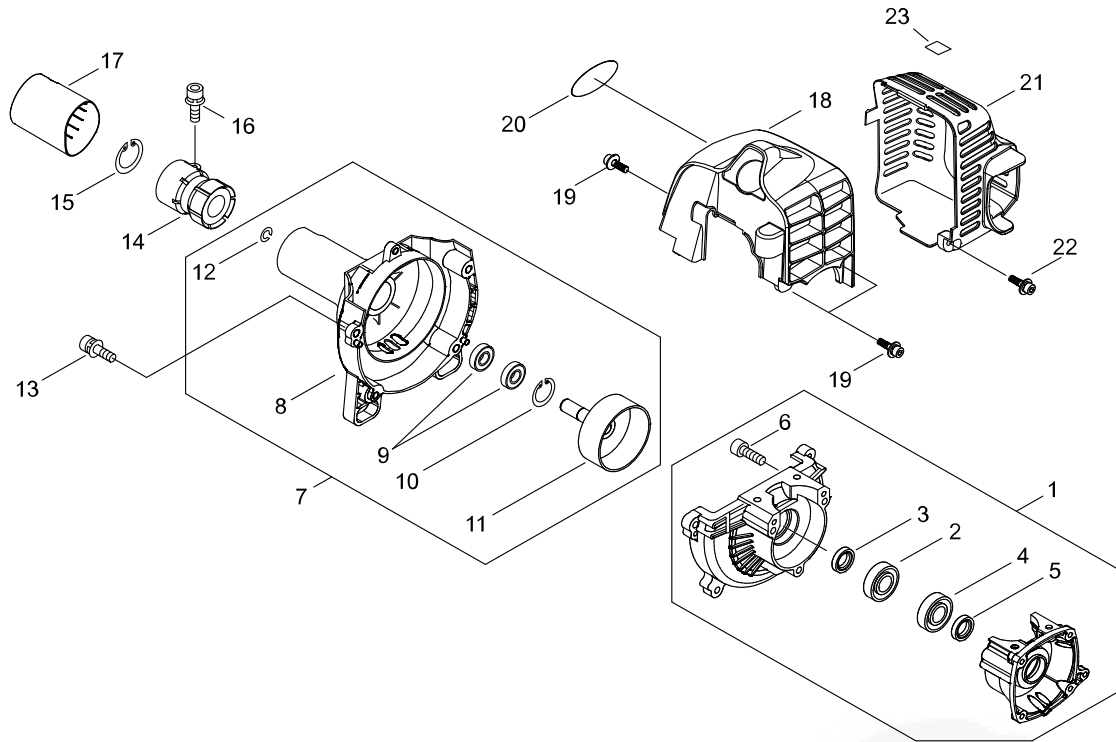
P016-002090-14Fb

1. CYLINDER, MUFFLER



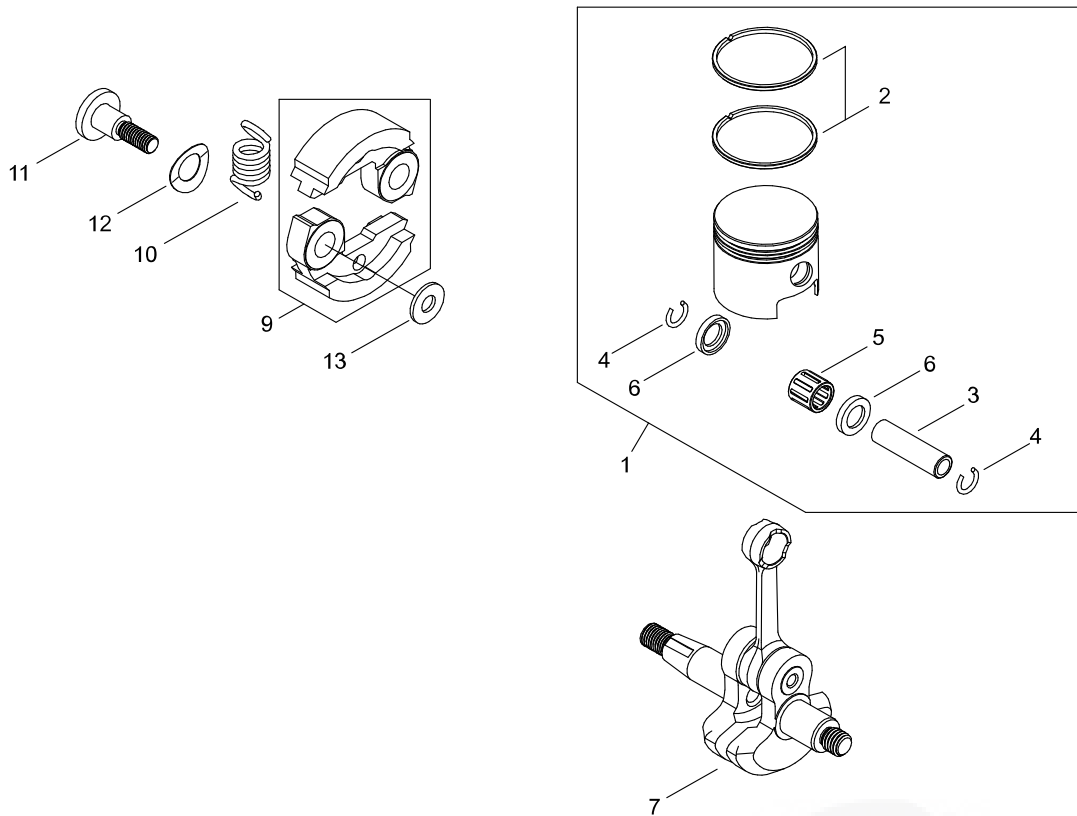
KEY	LV	PART NUMBER	Q'TY	DESCRIPTION	REMARKS	NOTE1	NOTE2
1		A130-001710	1	CYLINDER	NRCP		
2		V100-000610	1	GASKET,CYL			
3		900105-05016	4	BOLT, H.S. 5*16	5*16		
4		A200-000910	1	INSULATOR, INTAKE			
5		V103-000660	1	GASKET			
6		900162-05030	2	BOLT, H.S. 5*30	5*30 W,SW		
7		V104-002200	1	GASKET,EXHAUST			
8		P021-037641	1	MUFFLER ASY			
10	+	A310-000170	1	SCREEN			
11	+	V104-001100	1	GASKET			
12	+	A313-001660	1	GUIDE, EXHAUST			
13	+	A313-001230	1	TAIL PLATE			
14	+	900283-04008	4	SCREW 4*8	4*8		
18	+	900283-04008	1	SCREW 4*8	4*8		
15		91109-05055	2	BOLT	CB-5*0.8*55		
16		900604-00005	2	WASHER 5 SUS	5 SUS		
17		900106-05012	1	BOLT, H.S. 5*12	5*12		

2. FAN COVER, CRANKCASE



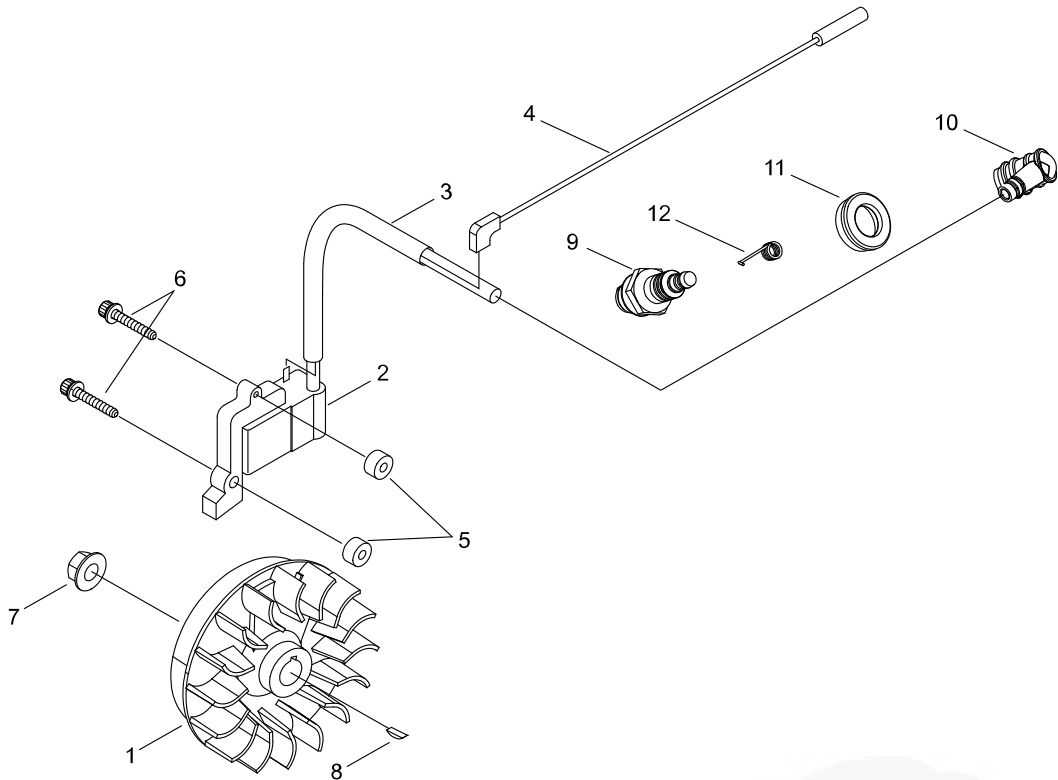
KEY	LV	PART NUMBER	Q'TY	DESCRIPTION	REMARKS	NOTE1	NOTE2
1		P021-047530	1	CRANKCASE SET			
2	+	900800-36001	1	BEARING, BALL 6001	6001/C3		
3	+	V505-000080	1	OIL SEAL			
4	+	900800-36001	1	BEARING, BALL 6001	6001/C3		
5	+	V505-000070	1	OIL SEAL			
6	+	900105-05025	3	BOLT, H.S. 5*25	5*25		
7		P021-035702	1	FAN COVER-A			
8	+	A172-001700	1	COVER,FAN			
9	+	900802-06000	2	BEARING, BALL 6000	6000DDU(LLU)		
10	+	900702-00026	1	CIRCLIP 26	CR-26		
11	+	A556-001300	1	DRUM,CLUTCH			
12	+	900701-00010	1	CIRCLIP 10	CS-10		
13		900162-05018	2	BOLT, H.S. 5*18	5*18 W,SW		
14		A575-000470	1	FIXTURE, MAIN PIPE			
15		900702-00040	1	CIRCLIP 40	CR-40		
16		91122-05022	1	BOLT	CB-5*22 SW		
17		A413-000000	1	PROTECTOR			
18		A160-002280	1	COVER,CYLINDER			
19		V202-000200	3	BOLT			
20		X504-007710	1	LABEL,BRAND	AHS243S		
21		A320-000870	1	COVER,MUFFLER			
22		V202-000200	1	BOLT			
23		X505-007710	1	LABEL,CAUTION			

3. PISTON, CRANKSHAFT



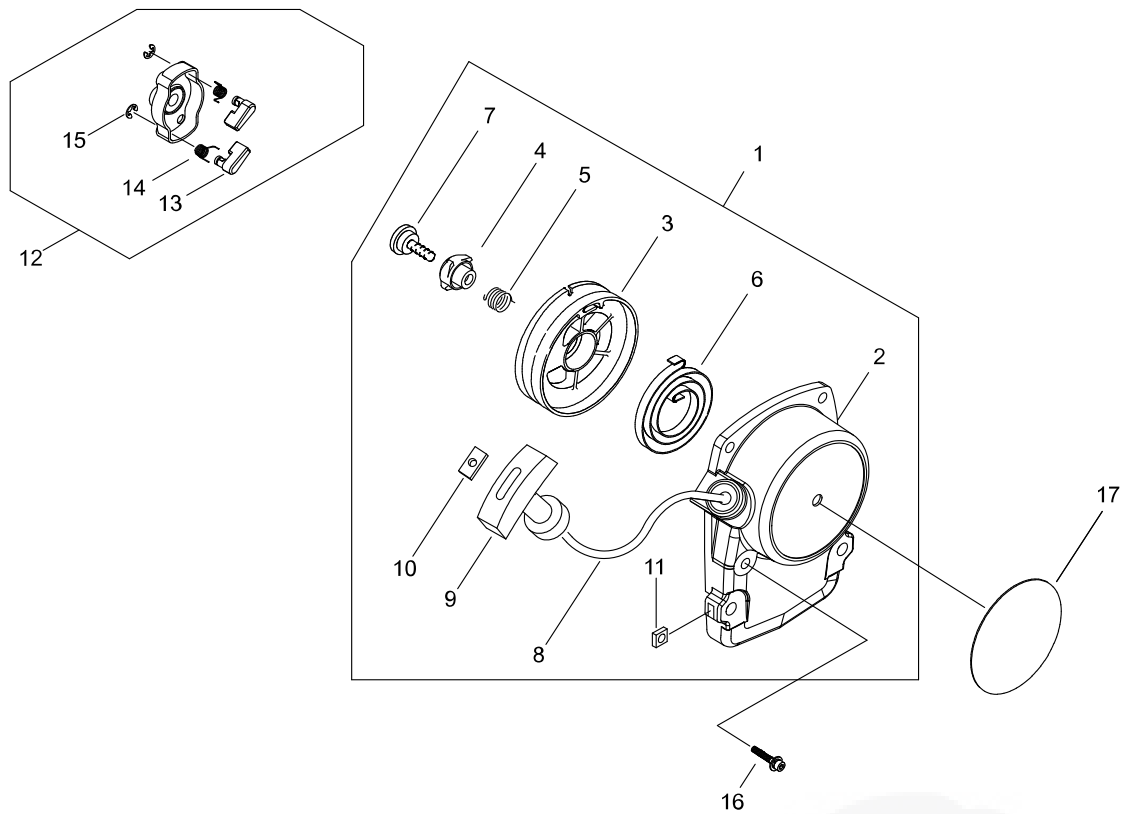
KEY	LV	PART NUMBER	Q'TY	DESCRIPTION	REMARKS	NOTE1	NOTE2
1		P021-047540	1	PISTON KIT			
2	+	A101-000290	2	PISTON RING			
3	+	V606-000000	1	PIN,ENG 8	5*8*28		
4	+	100015-04630	2	CIRCLIP, PISTON PIN			
5	+	V553-000080	1	NEEDLE BEARING			
6	+	V306-000250	2	WASHER,CIRCULAR 8			
7		A011-000700	1	CRANK SHAFT			
9		P021-047550	1	CLUTCH SHOE SET			
10		A566-000050	1	COIL SPRING			
11		A557-000040	2	BOLT			
12		V346-000040	2	SPRING PLATE			
13		V304-000150	2	WASHER			

4. MAGNETO



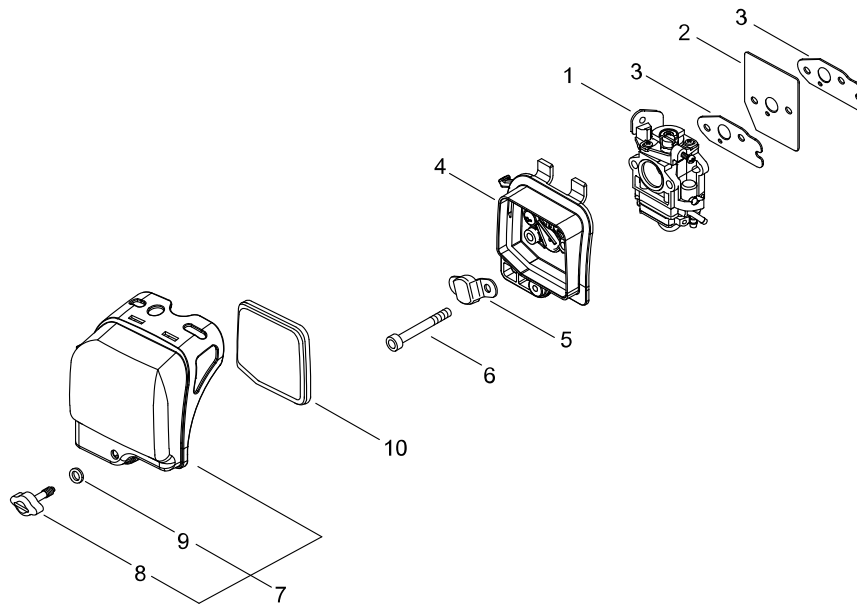
KEY	LV	PART NUMBER	Q'TY	DESCRIPTION	REMARKS	NOTE1	NOTE2
1		A409-001060	1	ROTOR, MAGNETO	C12076		
2		A411-001540	1	COIL, IGNITION			
3		V475-006600	1	TUBE	SSG-3 8*L125		
4		V485-002470	1	LEAD	L185		
5		V322-000040	2	INSULATOR			
6		V202-000480	2	BOLT ADHESIVE			
7		V265-000140	1	NUT			
8		93115-03010	1	KEY	3*10		
9		A425-000000	1	SPARKPLUG	BPMR8Y		
10		A427-000060	1	CAP, SPARK PLUG			
11		A429-000090	1	COVER,CAP			
12		A426-000010	1	TERMINAL, SPARKPLUG			

5. RECOIL STARTER



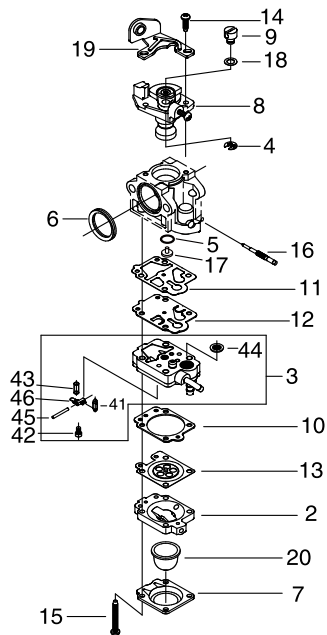
KEY	LV	PART NUMBER	Q'TY	DESCRIPTION	REMARKS	NOTE1	NOTE2
1		A051-002840	1	STARTER,RECOIL ASY			
2	+	P022-038050	1	CASE,STARTER			
3	+	P022-027980	1	DRUM, STARTER			
4	+	P022-028000	1	PLATE, CAM			
5	+	P022-008270	1	SPRING,DAMPER			
6	+	177220-42030	1	SPRING, REWIND			
7	+	177236-61830	1	SCREW			
8	+	P022-008260	1	ROPE	3M/M		
9	+	177228-27030	1	GRIP, STARTER			
10	+	P022-037670	1	STOPPER, ROPE			
11	+	900565-00005	2	NUT	5		
12		A052-000180	1	PULLEY,ASM STARTER			
13	+	P022-006850	2	PAWL, STARTER			
14	+	P022-006510	2	SPRING, RETURN			
15	+	P022-002100	2	E-RING	4		
16		V202-000200	2	BOLT			
17		X504-007680	1	LABEL,BRAND	SHINDAIWA 47		

6. AIR CLEANER



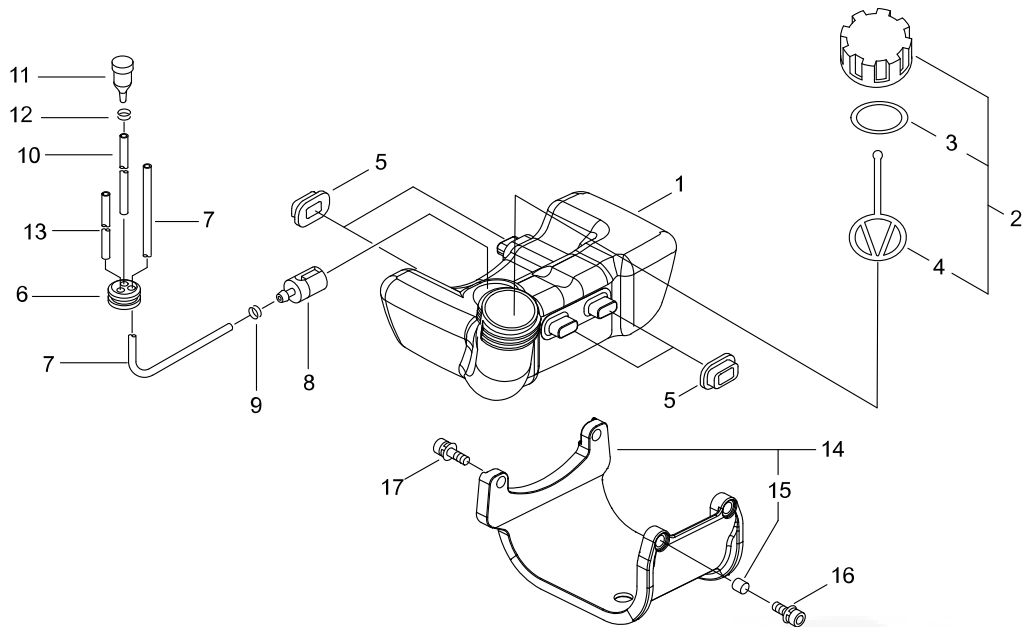
KEY	LV	PART NUMBER	Q'TY	DESCRIPTION	REMARKS	NOTE1	NOTE2
1		A021-003310	1	CARBURETOR,DIAPHRAGM	WYK-353		
2		A209-000460	1	PLATE, INSULATOR			
3		V103-001060	2	GASKET			
4		A023-000290	1	CASE,CLEANER			
5		A244-000120	1	BACK PLATE			
6		91109-05060	2	BOLT	CB-5*60		
7		A232-000640	1	CLEANER COVER ASSY			
8	+	V299-000340	1	KNOB			
9	+	V323-000080	1	COLLAR			
10		A226-001390	1	ELEMENT, AIR FILTER	YF975X1300		

7. CARBURETOR



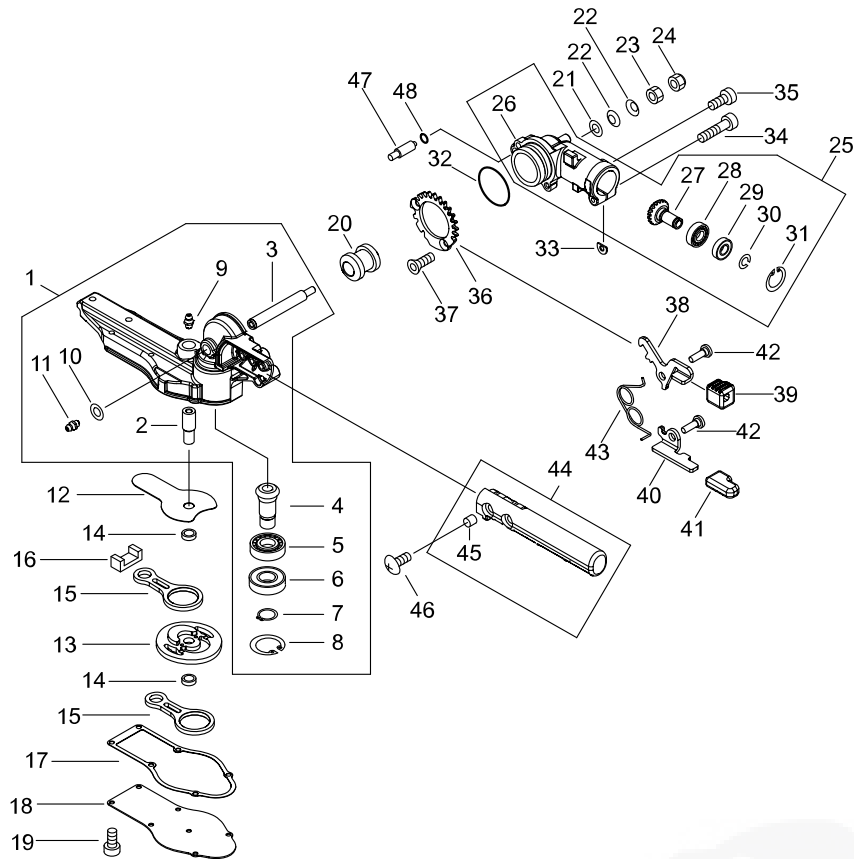
KEY	LV	PART NUMBER	Q'TY	DESCRIPTION	REMARKS	NOTE1	NOTE2
		A021-003310	1	CARBURETOR,DIAPHRAGM	WYK-353		
2	+	P003-003980	1	BODY, AIR PURGE			
3	+	P003-004150	1	BODY ASSEMBLY, PUMP	T242		
41	++	123137-19830	1	VALVE, INLET NEEDLE			
42	++	123139-05560	1	SCREW, M. LEVER PIN			
43	++	123122-05560	1	SPRING, METER. LEVER			
44	++	123126-10631	1	SCREEN, INLET			
45	++	123138-03930	1	PIN, METERING LEVER			
46	++	123123-03930	1	LEVER, METERING			
4	+	123173-07930	1	CLIP			
5	+	123183-40630	1	O-RING			
6	+	123143-12110	1	RING, PACKING			
7	+	123142-05560	1	COVER, PRIMER PUMP			
8	+	P003-004160	1	VALVE ASY,THROTTLE	T242		
9	+	123172-45130	1	SWIVEL			
10	+	123140-05560	1	GASKET, M. DIAPHRAGM			
11	+	P003-004100	1	GASKET, PUMP			
12	+	123112-40630	1	DIAPHRAGM, PUMP			
13	+	P003-001850	1	DIAPHRAGM, METERING			
14	+	123114-40630	2	SCREW			
15	+	123110-05560	4	SCREW, PUMP COVER			
16	+	P003-004110	1	NEEDLE			
17	+	P003-004120	1	JET			
18	+	123149-54230	1	WASHER			
19	+	123128-54230	1	BRACKET, IDLE ADJUST			
20	+	123181-40630	1	PUMP, PRIMER			

8. FUEL TANK



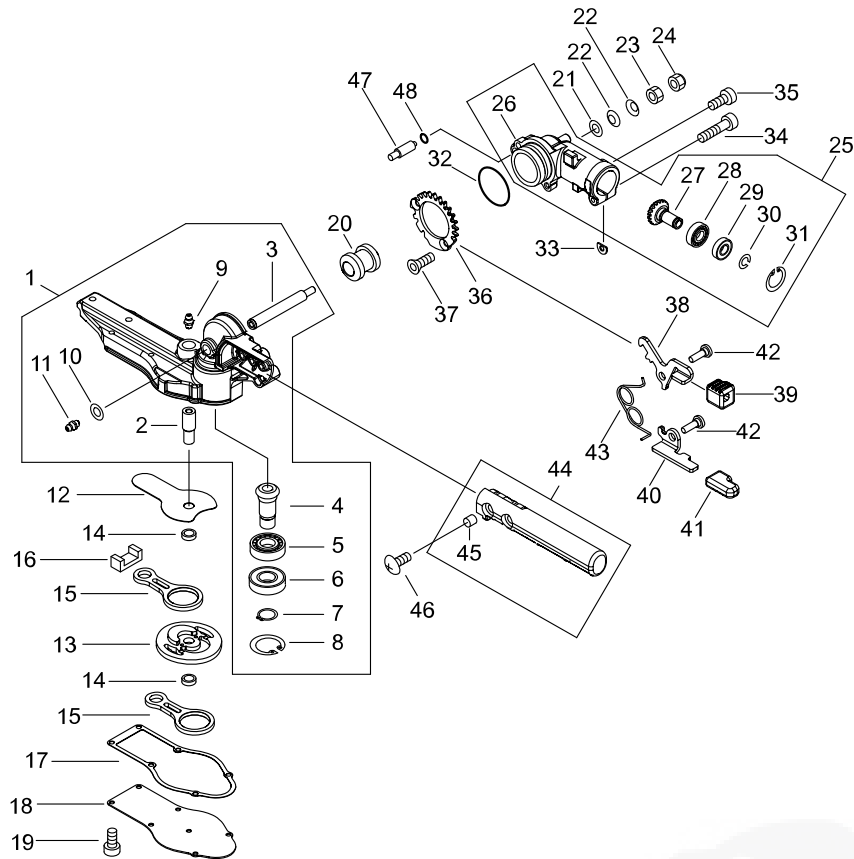
KEY	LV	PART NUMBER	Q'TY	DESCRIPTION	REMARKS	NOTE1	NOTE2
1		A350-000972	1	TANK, FUEL			
2		P021-035680	1	FUEL CAP ASY	T242		
3	+	131016-55830	1	GASKET, FUEL CAP			
4	+	A365-000060	1	CONNECTOR,CAP	L=123		
5		V420-002220	4	TANK CUSHION			
6		132115-55930	1	GROMMET, FUEL			
7		437210-30830	1	PIPE, OIL	NBR 3*6*210L		
8		A369-000001	1	STRAINER, FUEL	125-528		
9		V490-001240	1	CLIP			
10		130110-54430	1	PIPE, IMPULSE	3*6*105 NBR		
11		A356-000040	1	VALVE,CHECK			
12		V490-001230	1	CLIP			
13		132010-49730	1	PIPE 3*6*85	3*6*85 YL		
14		A175-000080	1	TANK GUARD			
15	+	V354-000110	4	COLLAR,6	6.2*7.8*8		
16		900162-05018	2	BOLT, H.S. 5*18	5*18 W,SW		
17		900162-05040	2	BOLT, H.S. 5*40	5*40 W,SW		

9. GEAR CASE



KEY	LV	PART NUMBER	Q'TY	DESCRIPTION	REMARKS	NOTE1	NOTE2
1		P021-047560	1	CASE ASY, GEAR			
2	+	C534-001060	1	SHAFT, GEAR			
3	+	C534-001010	1	SHAFT, GEAR			
4	+	V655-000090	1	SHAFT, PINION			
5	+	900800-36002	1	BEARING, BALL 6002	6002		
6	+	94004-36002	1	BEARING, BALL			
7	+	900701-00014	1	CIRCLIP 14	CS-14		
8	+	92424-32000	1	SNAP RING			
9	+	V187-000080	1	GREASE NIPPLE			
10	+	900603-00006	1	WASHER 6	6.5*13*1		
11	+	V187-000080	1	GREASE NIPPLE			
12		V150-003940	1	PLATE, EYE			
13		V650-000660	1	GEAR, SPUR			
14		V356-000730	2	COLLAR, 10			
15		C532-000360	2	ROD, CONNECTING			
16		V541-000570	1	SEAL			
17		V110-000180	1	GASKET, GEAR CASE			
18		C539-000130	1	LID, GEAR CASE			
19		V804-000110	7	BOLT, TORX 4			
20		P021-047570	1	GEAR, BEVEL SET			
21		900603-00006	1	WASHER 6	6.5*13*1		
22		V347-000030	2	CONE WASHER			
23		900502-00006	1	NUT 6 (3N)	3N6		
24		900560-00006	1	NUT, LOCK	6		
25		P021-047810	1	CASE ASY, GEAR			

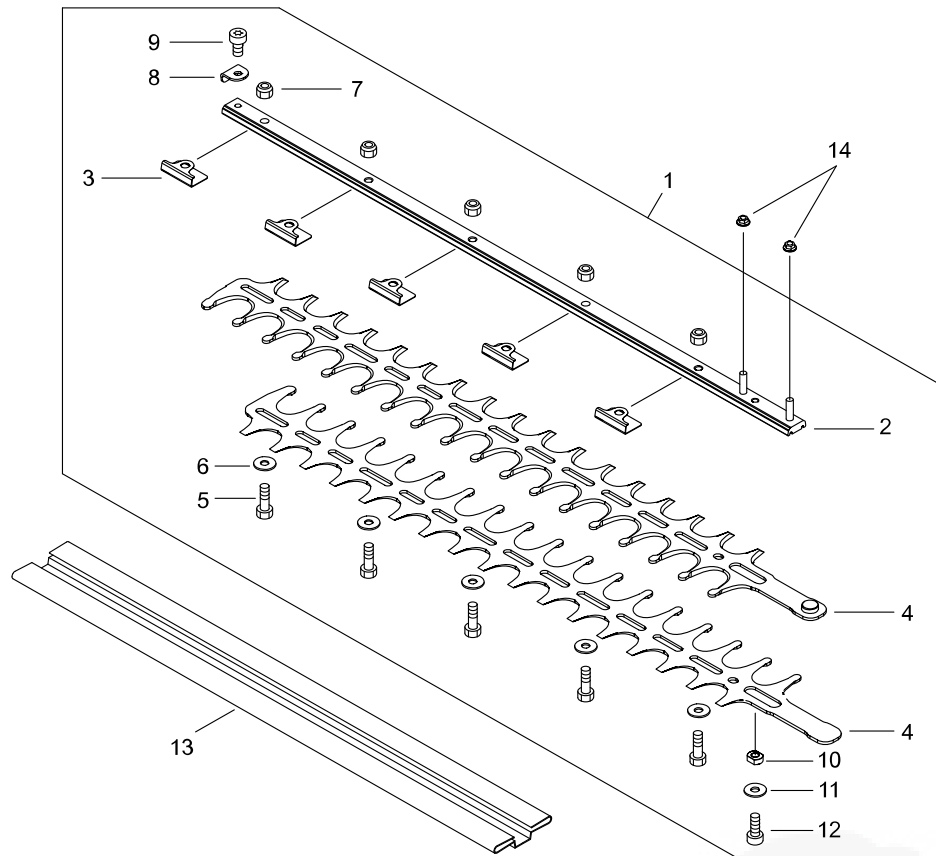
9. GEAR CASE



KEY	LV	PART NUMBER	Q'TY	DESCRIPTION	REMARKS	NOTE1	NOTE2
26	+	C531-001080	1	CASE,GEAR			
27	+	V000-000090	1	BEVEL PINION			
28	+	900800-00609	1	BEARING, BALL 609	609		
29	+	900804-00609	1	BEARING, BALL 609	609ZZ		
30	+	900706-00009	1	CIRCLIP 9	WR-9		
31	+	92424-24000	1	SNAP RING			
32		900724-00035	1	O-RING 35			
33		V340-000300	1	SHIM			
34		V805-000170	1	BOLT, TORX 5	TB-5*25 10.9		
35		V805-000130	1	BOLT, TORX 5	TB-5*10 10.9		
36		C465-000030	1	RESETTER, LATCH			
37		900175-05012	2	BOLT, H.S.H	5*12		
38		C661-000150	1	LEVER, RELEASE			
39		V494-000880	1	CAP			
40		C661-000080	1	SAFTY LEVER			
41		V494-000890	1	CAP			
42		V204-000580	2	PIN RATCHET			
43		V452-000710	1	COIL SPRING			
44		C403-000480	1	HANDLE			
45	+	V354-000320	2	COLLAR			
46		91463-06020	2	SCREW TRUSS			
47		C226-000060	1	PIN,CONTROL			
48		900720-00005	1	O-RING 5			

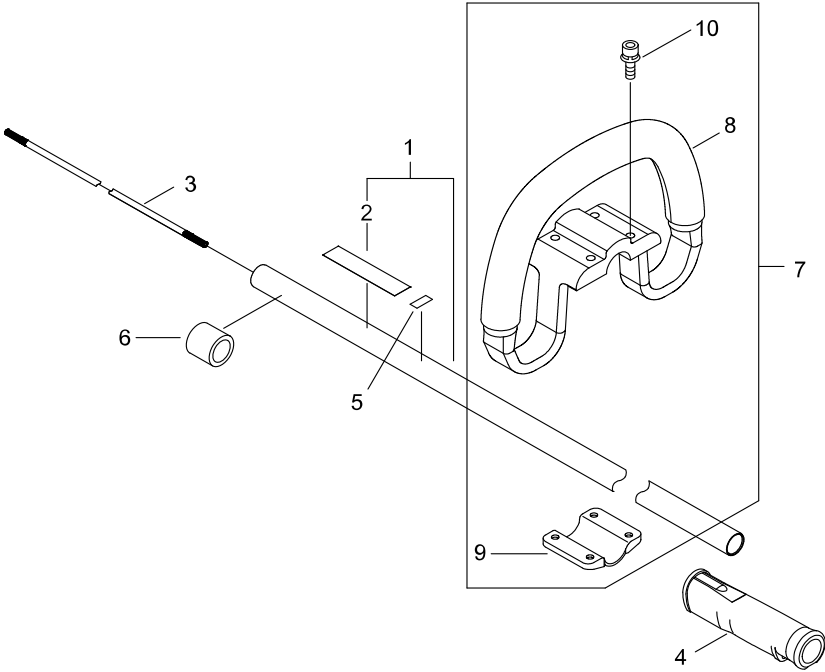
P-5

10. CUTTING BLADE



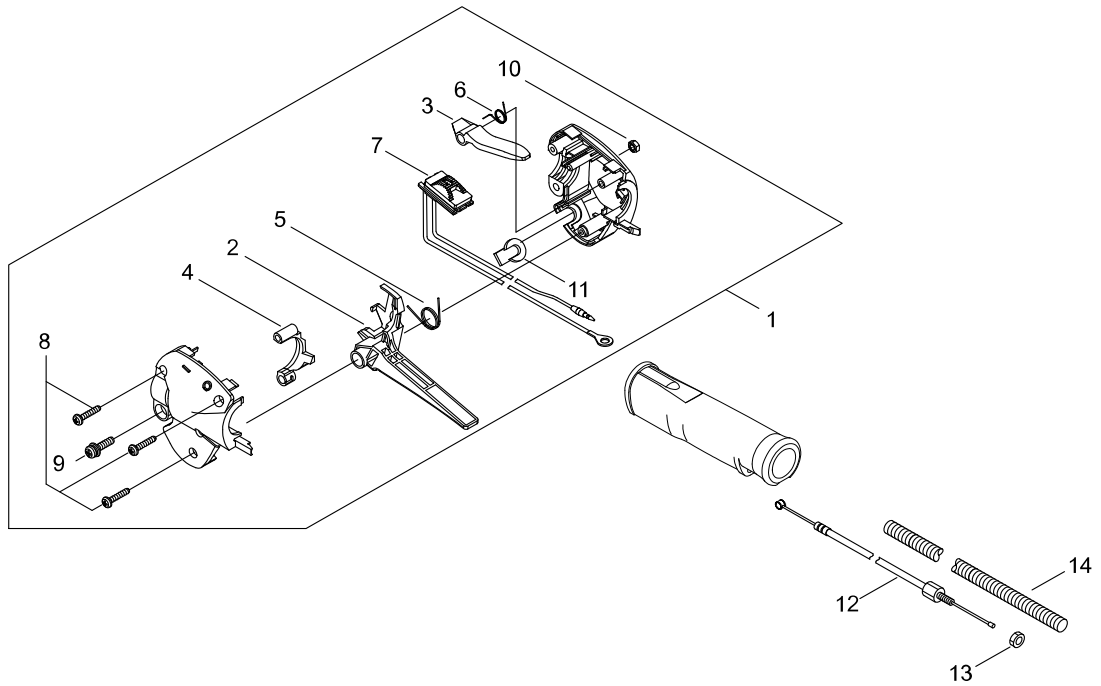
KEY	LV	PART NUMBER	Q'TY	DESCRIPTION	REMARKS	NOTE1	NOTE2
1		X041-000510	1	CUTTER,ASM			
2	+	X425-000920	1	SUPPORT,CUTTER			
3	+	X425-000930	5	SUPPORT,CUTTER			
4	+	X411-001320	2	CUTTER			
5	+	V204-000570	5	BOLT			
6	+	V304-000240	5	WASHER			
7	+	433022-06460	5	NUT			
8	+	J447-001050	1	GUARD			
9	+	V805-000120	1	BOLT, TORX 5	TB-5*8 10.9		
10	+	V376-002130	1	SPACER			
11	+	V304-000240	1	WASHER			
12	+	V805-000250	1	BOLT, TORX 5	TB-5*16 12.9		
13		X495-000600	1	SCABBARD,BLADE			
14		V263-000330	2	FLANGE NUT			

11. DRIVE SHAFT



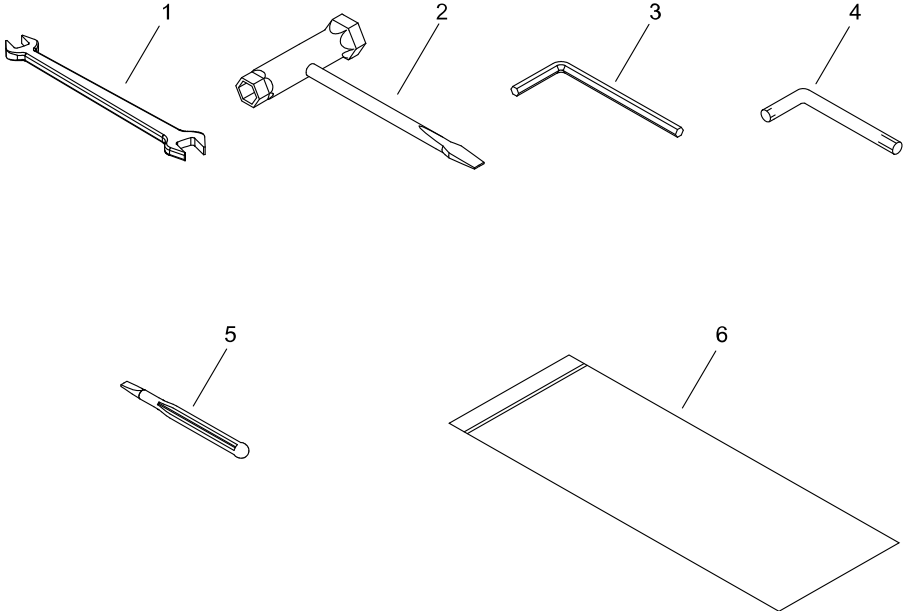
KEY	LV	PART NUMBER	Q'TY	DESCRIPTION	REMARKS	NOTE1	NOTE2
1		P021-039650	1	MAIN PIPE ASY			
2	+	X505-002890	1	LABEL CAUTION			
3		C504-000860	1	MAIN SHAFT			
4		C412-000261	1	GRIP, HANDLE			
5		890152-04930	1	LABEL, CAUTION			
6		V362-000160	1	COLLAR,22			
7		P021-028331	1	HANDLE ASSY			
8	+	C400-000630	1	HANDLE			
9	+	C423-000430	1	CLAMP			
10	+	V203-000631	4	BOLT,5	M5X25 WSW		

12. THROTTLE



KEY	LV	PART NUMBER	Q'TY	DESCRIPTION	REMARKS	NOTE1	NOTE2
1		C044-000350	1	THROTTLE LEVER ASSY			
2	+	C450-000480	1	LEVER			
3	+	C460-000190	1	LOCK LEVER			
4	+	C461-000020	1	HOLDER			
5	+	P022-025820	1	SPRING, THR. RETURN			
6	+	V452-000500	1	COIL SPRING			
7	+	P022-038060	1	SWITCH ASY			
8	+	P022-032480	3	SCREW			
9	+	P022-025800	1	SCREW	M5*20		
10	+	92017-05000	1	NUT	M5		
11	+	P022-025790	1	PLUG			
12		V430-002611	1	CABLE, BOWDEN			
13		900502-00006	1	NUT 6 (3N)	3N6		
14		V475-004470	1	TUBE			

13. ACCESSORIES



KEY	LV	PART NUMBER	Q'TY	DESCRIPTION	REMARKS	NOTE1	NOTE2
1		X600-000020	1	SPANNER			
2		X602-000120	1	TOOL,WRENCH	19-13		
3		X605-000100	1	TOOL,L WRENCH	4MM M5		
4		X605-000170	1	TOOL,L WRENCH			
5		X626-000010	1	TOOL,SCRAPER			
6		X705-000100	1	BAG,PACKING	140*200*T0.08		

Index

Patrs Number	Key No.	Patrs Number	Key No.	Patrs Number	Key No.
100015-04630	3 - 4	900702-00040	2 - 15	A429-000090	4 - 11
123110-05560	7 - 15	900706-00009	9 - 30	A556-001300	2 - 11
123112-40630	7 - 12	900720-00005	9 - 48	A557-000040	3 - 11
123114-40630	7 - 14	900724-00035	9 - 32	A566-000050	3 - 10
123122-05560	7 - 43	900800-00609	9 - 28	A575-000470	2 - 14
123123-03930	7 - 46	900800-36001	2 - 2	C044-000350	12 - 1
123126-10631	7 - 44	900800-36001	2 - 4	C226-000060	9 - 47
123128-54230	7 - 19	900800-36002	9 - 5	C400-000630	11 - 8
123137-19830	7 - 41	900802-06000	2 - 9	C403-000480	9 - 44
123138-03930	7 - 45	900804-00609	9 - 29	C412-000261	11 - 4
123139-05560	7 - 42	91109-05055	1 - 15	C423-000430	11 - 9
123140-05560	7 - 10	91109-05060	6 - 6	C450-000480	12 - 2
123142-05560	7 - 7	91122-05022	2 - 16	C460-000190	12 - 3
123143-12110	7 - 6	91463-06020	9 - 46	C461-000020	12 - 4
123149-54230	7 - 18	92017-05000	12 - 10	C465-000030	9 - 36
123172-45130	7 - 9	92424-24000	9 - 31	C504-000860	11 - 3
123173-07930	7 - 4	92424-32000	9 - 8	C531-001080	9 - 26
123181-40630	7 - 20	93115-03010	4 - 8	C532-000360	9 - 15
123183-40630	7 - 5	94004-36002	9 - 6	C534-001010	9 - 3
130110-54430	8 - 10	A011-000700	3 - 7	C534-001060	9 - 2
131016-55830	8 - 3	A021-003310	6 - 1	C539-000130	9 - 18
132010-49730	8 - 13	A021-003310	7 -	C661-000080	9 - 40
132115-55930	8 - 6	A023-000290	6 - 4	C661-000150	9 - 38
177220-42030	5 - 6	A051-002840	5 - 1	J447-001050	10 - 8
177228-27030	5 - 9	A052-000180	5 - 12	P003-001850	7 - 13
177236-61830	5 - 7	A101-000290	3 - 2	P003-003980	7 - 2
433022-06460	10 - 7	A130-001710	1 - 1	P003-004100	7 - 11
437210-30830	8 - 7	A160-002280	2 - 18	P003-004110	7 - 16
890152-04930	11 - 5	A172-001700	2 - 8	P003-004120	7 - 17
900105-05016	1 - 3	A175-000080	8 - 14	P003-004150	7 - 3
900105-05025	2 - 6	A200-000910	1 - 4	P003-004160	7 - 8
900106-05012	1 - 17	A209-000460	6 - 2	P021-028331	11 - 7
900162-05018	2 - 13	A226-001390	6 - 10	P021-035680	8 - 2
900162-05018	8 - 16	A232-000640	6 - 7	P021-035702	2 - 7
900162-05030	1 - 6	A244-000120	6 - 5	P021-037641	1 - 8
900162-05040	8 - 17	A310-000170	1 - 10	P021-039650	11 - 1
900175-05012	9 - 37	A313-001230	1 - 13	P021-047530	2 - 1
900283-04008	1 - 14	A313-001660	1 - 12	P021-047540	3 - 1
900283-04008	1 - 18	A320-000870	2 - 21	P021-047550	3 - 9
900502-00006	9 - 23	A350-000972	8 - 1	P021-047560	9 - 1
900502-00006	12 - 13	A356-000040	8 - 11	P021-047570	9 - 20
900560-00006	9 - 24	A365-000060	8 - 4	P021-047810	9 - 25
900565-00005	5 - 11	A369-000001	8 - 8	P022-002100	5 - 15
900603-00006	9 - 10	A409-001060	4 - 1	P022-006510	5 - 14
900603-00006	9 - 21	A411-001540	4 - 2	P022-006850	5 - 13
900604-00005	1 - 16	A413-000000	2 - 17	P022-008260	5 - 8
900701-00010	2 - 12	A425-000000	4 - 9	P022-008270	5 - 5
900701-00014	9 - 7	A426-000010	4 - 12	P022-025790	12 - 11
900702-00026	2 - 10	A427-000060	4 - 10	P022-025800	12 - 9

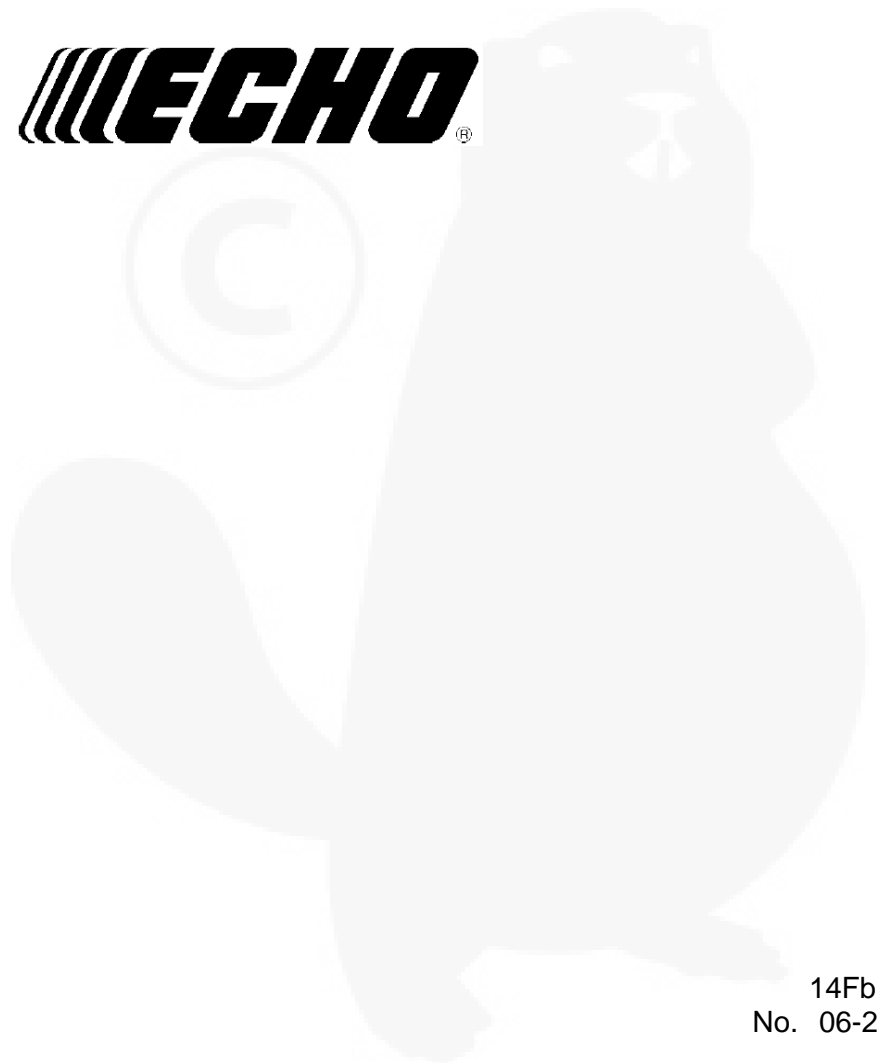
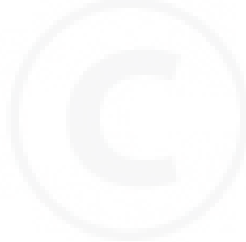
Index

Patrs Number	Key No.	Patrs Number	Key No.	Patrs Number	Key No.
P022-025820	12 - 5	V490-001240	8 - 9		
P022-027980	5 - 3	V494-000880	9 - 39		
P022-028000	5 - 4	V494-000890	9 - 41		
P022-032480	12 - 8	V505-000070	2 - 5		
P022-037670	5 - 10	V505-000080	2 - 3		
P022-038050	5 - 2	V541-000570	9 - 16		
P022-038060	12 - 7	V553-000080	3 - 5		
V000-000090	9 - 27	V606-000000	3 - 3		
V100-000610	1 - 2	V650-000660	9 - 13		
V103-000660	1 - 5	V655-000090	9 - 4		
V103-001060	6 - 3	V804-000110	9 - 19		
V104-001100	1 - 11	V805-000120	10 - 9		
V104-002200	1 - 7	V805-000130	9 - 35		
V110-000180	9 - 17	V805-000170	9 - 34		
V150-003940	9 - 12	V805-000250	10 - 12		
V187-000080	9 - 9	X041-000510	10 - 1		
V187-000080	9 - 11	X411-001320	10 - 4		
V202-000200	2 - 19	X425-000920	10 - 2		
V202-000200	2 - 22	X425-000930	10 - 3		
V202-000200	5 - 16	X495-000600	10 - 13		
V202-000480	4 - 6	X504-007680	5 - 17		
V203-000631	11 - 10	X504-007710	2 - 20		
V204-000570	10 - 5	X505-002890	11 - 2		
V204-000580	9 - 42	X505-007710	2 - 23		
V263-000330	10 - 14	X600-000020	13 - 1		
V265-000140	4 - 7	X602-000120	13 - 2		
V299-000340	6 - 8	X605-000100	13 - 3		
V304-000150	3 - 13	X605-000170	13 - 4		
V304-000240	10 - 6	X626-000010	13 - 5		
V304-000240	10 - 11	X705-000100	13 - 6		
V306-000250	3 - 6				
V322-000040	4 - 5				
V323-000080	6 - 9				
V340-000300	9 - 33				
V346-000040	3 - 12				
V347-000030	9 - 22				
V354-000110	8 - 15				
V354-000320	9 - 45				
V356-000730	9 - 14				
V362-000160	11 - 6				
V376-002130	10 - 10				
V420-002220	8 - 5				
V430-002611	12 - 12				
V452-000500	12 - 6				
V452-000710	9 - 43				
V475-004470	12 - 14				
V475-006600	4 - 3				
V485-002470	4 - 4				
V490-001230	8 - 12				

YAMABIKO CORPORATION

7-2 SUEHIROCHO 1-CHOME, OHME, TOKYO 198-8760, JAPAN
PHONE: 81-428-32-6118. FAX: 81-428-32-6145.

ECHO[®]



14Fb
No. 06-277