

**shindaiwa<sup>®</sup>**

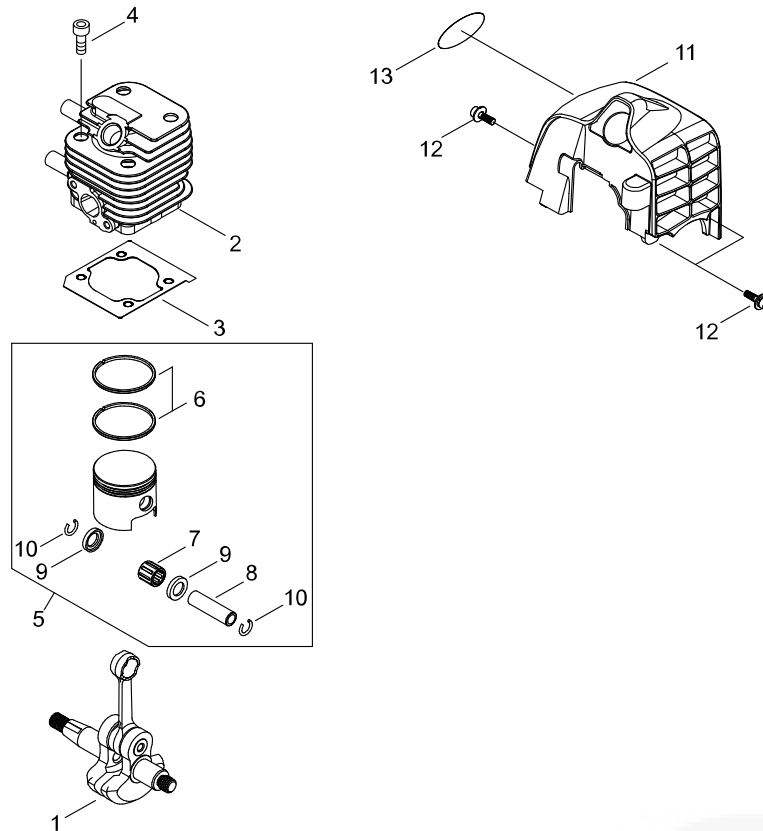
**PARTS CATALOG**  
**SHAFT HEDGE TRIMMER**  
**AH243S-LW(37)**

**37100001 -**

**CE**

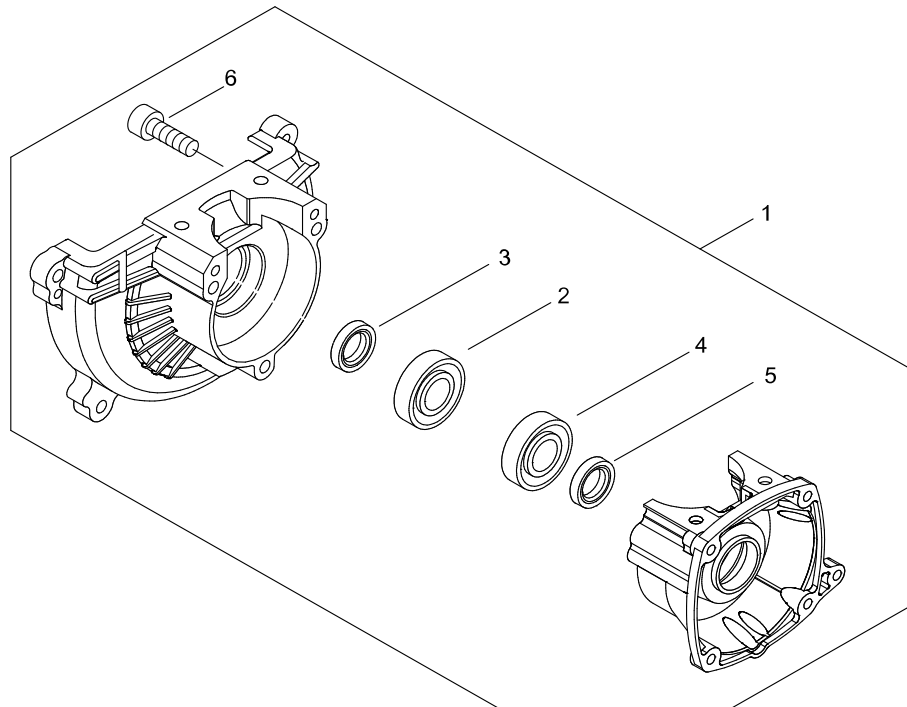
P016-002200-14Fb

# 1. CYLINDER, PISTON, CRANKSHAFT



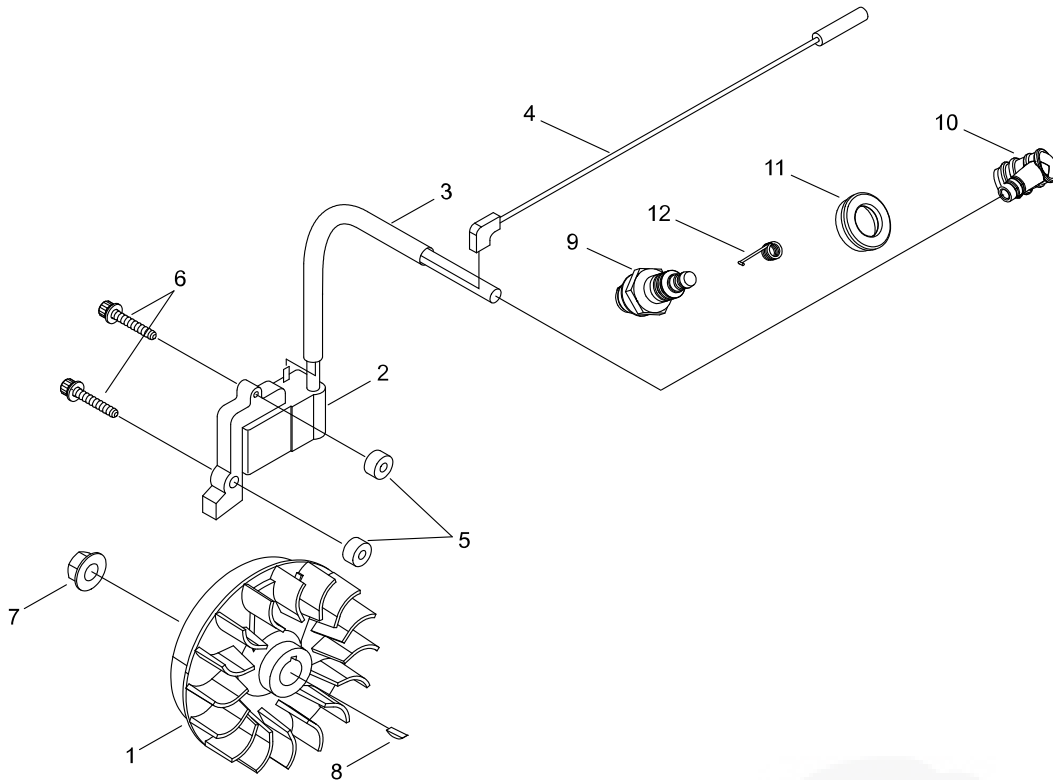
KEY	LV	PART NUMBER	Q'TY	DESCRIPTION	REMARKS	NOTE1	NOTE2
1		A011-000700	1	CRANK SHAFT			
2		A130-001710	1	CYLINDER	NRCP		
3		V100-000610	1	GASKET,CYL			
4		900105-05016	4	BOLT, H.S. 5*16	5*16		
5		P021-047540	1	PISTON KIT			
6	+	A101-000290	2	PISTON RING			
7	+	V553-000080	1	NEEDLE BEARING			
8	+	V606-000000	1	PIN,ENG 8	5*8*28		
9	+	V306-000250	2	WASHER,CIRCULAR 8			
10	+	100015-04630	2	CIRCLIP, PISTON PIN			
11		A160-002280	1	COVER,CYLINDER			
12		V202-000200	3	BOLT			
13		X504-007700	1	LABEL,BRAND	AH243S		

## 2. CRANKCASE



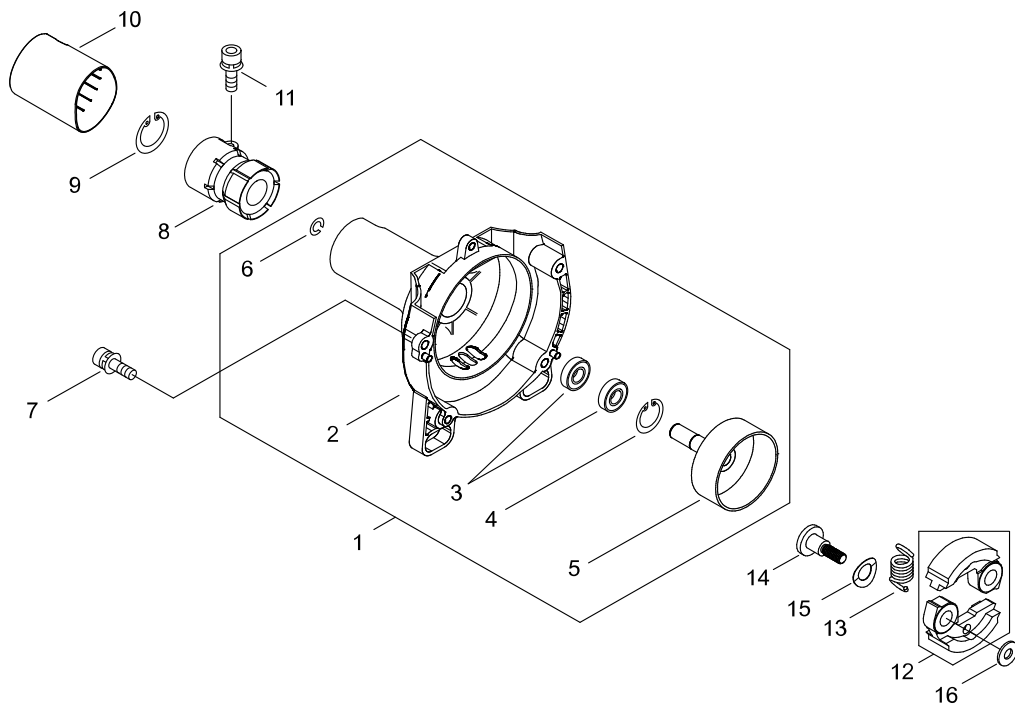
KEY	LV	PART NUMBER	Q'TY	DESCRIPTION	REMARKS	NOTE1	NOTE2
1		P021-047530	1	CRANKCASE SET			
2	+	900800-36001	1	BEARING, BALL 6001	6001/C3		
3	+	V505-000080	1	OIL SEAL			
4	+	900800-36001	1	BEARING, BALL 6001	6001/C3		
5	+	V505-000070	1	OIL SEAL			
6	+	900105-05025	3	BOLT, H.S. 5*25	5*25		

3. MAGNETO



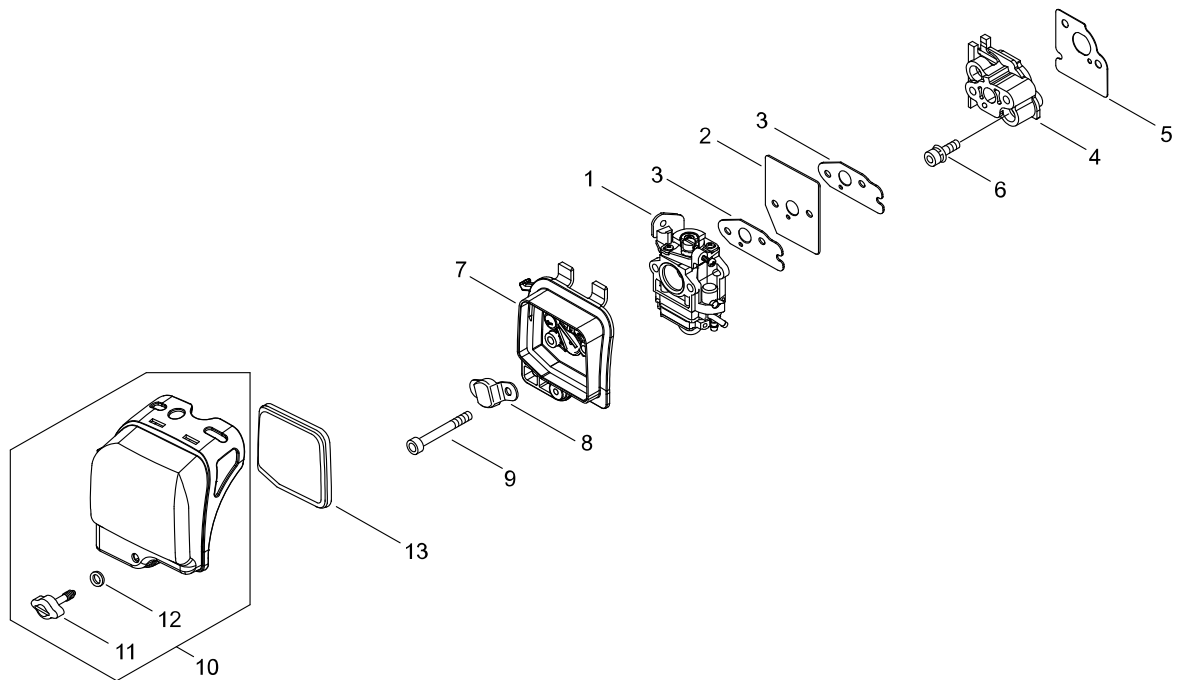
KEY	LV	PART NUMBER	Q'TY	DESCRIPTION	REMARKS	NOTE1	NOTE2
1		A409-001060	1	ROTOR, MAGNETO	C12076		
2		A411-001540	1	COIL, IGNITION			
3		V475-006600	1	TUBE	SSG-3 8*L125		
4		V485-002470	1	LEAD	L185		
5		V322-000040	2	INSULATOR			
6		V202-000480	2	BOLT ADHESIVE			
7		V265-000140	1	NUT			
8		93115-03010	1	KEY	3*10		
9		A425-000000	1	SPARKPLUG	BPMR8Y		
10		A427-000060	1	CAP, SPARK PLUG			
11		A429-000090	1	COVER,CAP			
12		A426-000010	1	TERMINAL, SPARKPLUG			

## 4. CLUTCH



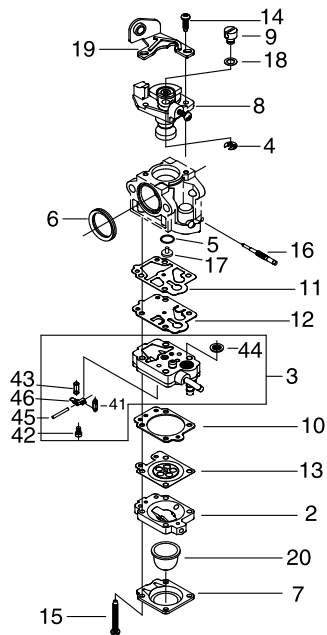
KEY	LV	PART NUMBER	Q'TY	DESCRIPTION	REMARKS	NOTE1	NOTE2
1		P021-035702	1	FAN COVER-A			
2	+	A172-001700	1	COVER,FAN			
3	+	900802-06000	2	BEARING, BALL 6000	6000DDU(LLU)		
4	+	900702-00026	1	CIRCLIP 26	CR-26		
5	+	A556-001300	1	DRUM,CLUTCH			
6	+	900701-00010	1	CIRCLIP 10	CS-10		
7		900162-05018	2	BOLT, H.S. 5*18	5*18 W,SW		
8		A575-000470	1	FIXTURE, MAIN PIPE			
9		900702-00040	1	CIRCLIP 40	CR-40		
10		A413-000000	1	PROTECTOR			
11		91122-05022	1	BOLT	CB-5*22 SW		
12		P021-047550	1	CLUTCH SHOE SET			
13		A566-000050	1	COIL SPRING			
14		A557-000040	2	BOLT			
15		V346-000040	2	SPRING PLATE			
16		V304-000150	2	WASHER			

## 5. AIR CLEANER, CARBURETOR



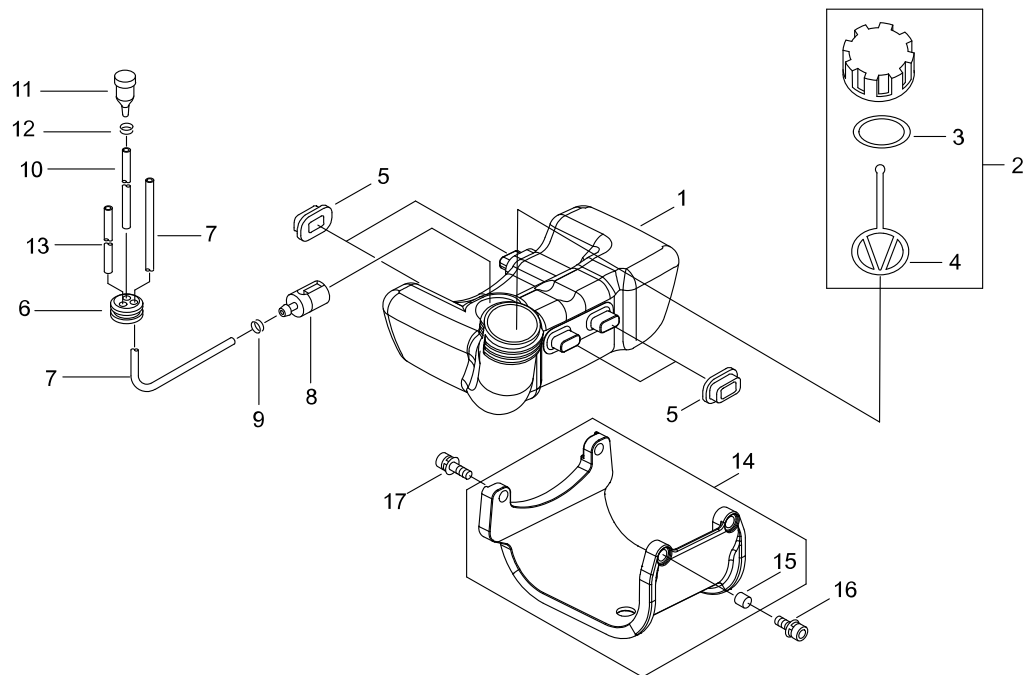
KEY	LV	PART NUMBER	Q'TY	DESCRIPTION	REMARKS	NOTE1	NOTE2
1		A021-003310	1	CARBURETOR,DIAPHRAGM	WYK-353		
2		A209-000460	1	PLATE, INSULATOR			
3		V103-001060	2	GASKET			
4		A200-000910	1	INSULATOR, INTAKE			
5		V103-000660	1	GASKET			
6		900162-05030	2	BOLT, H.S. 5*30	5*30 W,SW		
7		A023-000290	1	CASE,CLEANER			
8		A244-000120	1	BACK PLATE			
9		91109-05060	2	BOLT	CB-5*60		
10		A232-000640	1	CLEANER COVER ASSY			
11	+	V299-000340	1	KNOB			
12	+	V323-000080	1	COLLAR			
13		A226-001390	1	ELEMENT, AIR FILTER	YF975X1300		

## 6. CARBURETOR



KEY	LV	PART NUMBER	Q'TY	DESCRIPTION	REMARKS	NOTE1	NOTE2
		A021-003310	1	CARBURETOR,DIAPHRAGM	WYK-353		
2	+	P003-003980	1	BODY, AIR PURGE			
3	+	P003-004150	1	BODY ASSEMBLY, PUMP	T242		
41	++	123137-19830	1	VALVE, INLET NEEDLE			
42	++	123139-05560	1	SCREW, M. LEVER PIN			
43	++	123122-05560	1	SPRING, METER. LEVER			
44	++	123126-10631	1	SCREEN, INLET			
45	++	123138-03930	1	PIN, METERING LEVER			
46	++	123123-03930	1	LEVER, METERING			
4	+	123173-07930	1	CLIP			
5	+	123183-40630	1	O-RING			
6	+	123143-12110	1	RING, PACKING			
7	+	123142-05560	1	COVER, PRIMER PUMP			
8	+	P003-004160	1	VALVE ASY,THROTTLE	T242		
9	+	123172-45130	1	SWIVEL			
10	+	123140-05560	1	GASKET, M. DIAPHRAGM			
11	+	P003-004100	1	GASKET, PUMP			
12	+	123112-40630	1	DIAPHRAGM, PUMP			
13	+	P003-001850	1	DIAPHRAGM, METERING			
14	+	123114-40630	2	SCREW			
15	+	123110-05560	4	SCREW, PUMP COVER			
16	+	P003-004110	1	NEEDLE			
17	+	P003-004120	1	JET			
18	+	123149-54230	1	WASHER			
19	+	123128-54230	1	BRACKET, IDLE ADJUST			
20	+	123181-40630	1	PUMP, PRIMER			

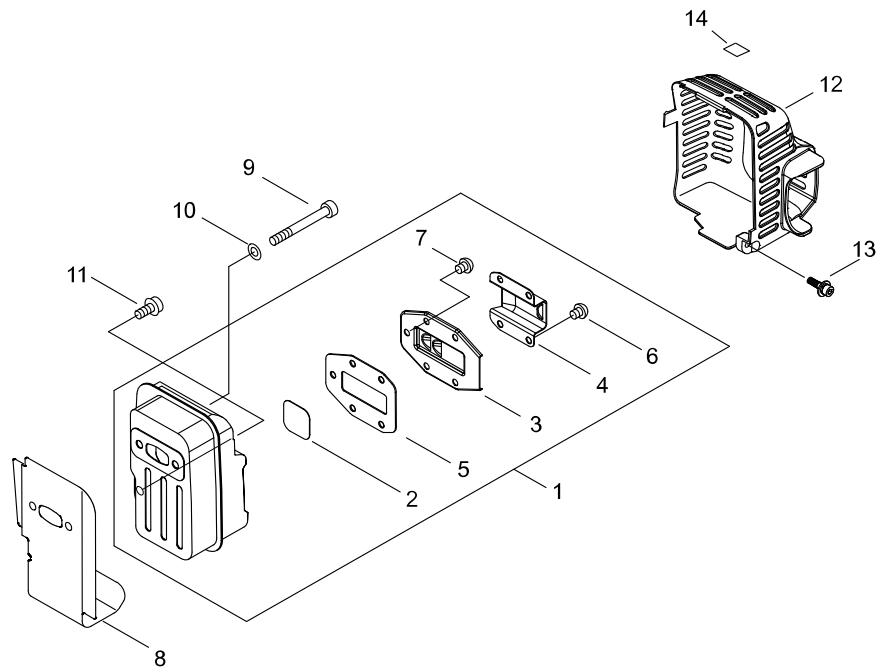
## 7. FUEL TANK



KEY	LV	PART NUMBER	Q'TY	DESCRIPTION	REMARKS	NOTE1	NOTE2
1		A350-000972	1	TANK, FUEL			
2		P021-035680	1	FUEL CAP ASY	T242		
3	+	131016-55830	1	GASKET, FUEL CAP			
4	+	A365-000060	1	CONNECTOR,CAP	L=123		
5		V420-002220	4	TANK CUSHION			
6		132115-55930	1	GROMMET, FUEL			
7		437210-30830	1	PIPE, OIL	NBR 3*6*210L		
8		A369-000001	1	STRAINER, FUEL	125-528		
9		V490-001240	1	CLIP			
10		130110-54430	1	PIPE, IMPULSE	3*6*105 NBR		
11		A356-000040	1	VALVE,CHECK			
12		V490-001230	1	CLIP			
13		132010-49730	1	PIPE 3*6*85	3*6*85 YL		
14		A175-000080	1	TANK GUARD			
15	+	V354-000110	4	COLLAR,6	6.2*7.8*8		
16		900162-05018	2	BOLT, H.S. 5*18	5*18 W,SW		
17		900162-05040	2	BOLT, H.S. 5*40	5*40 W,SW		

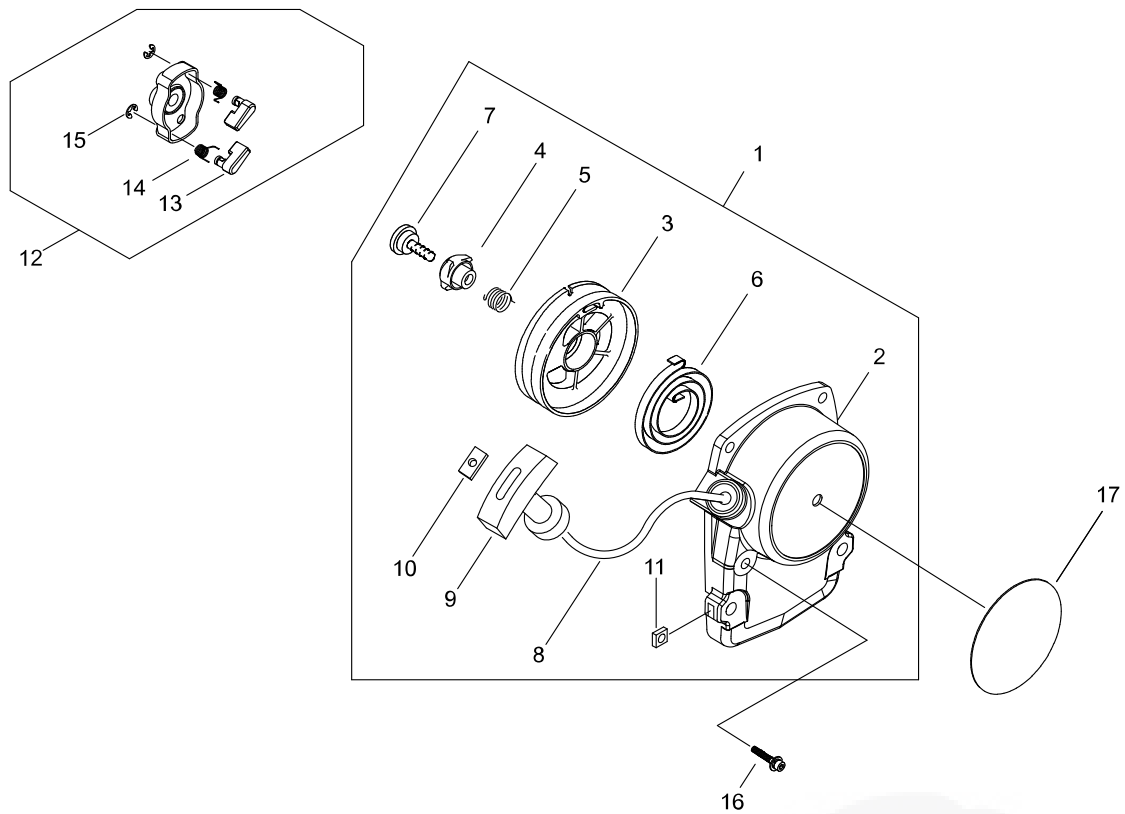


## 8. MUFFLER



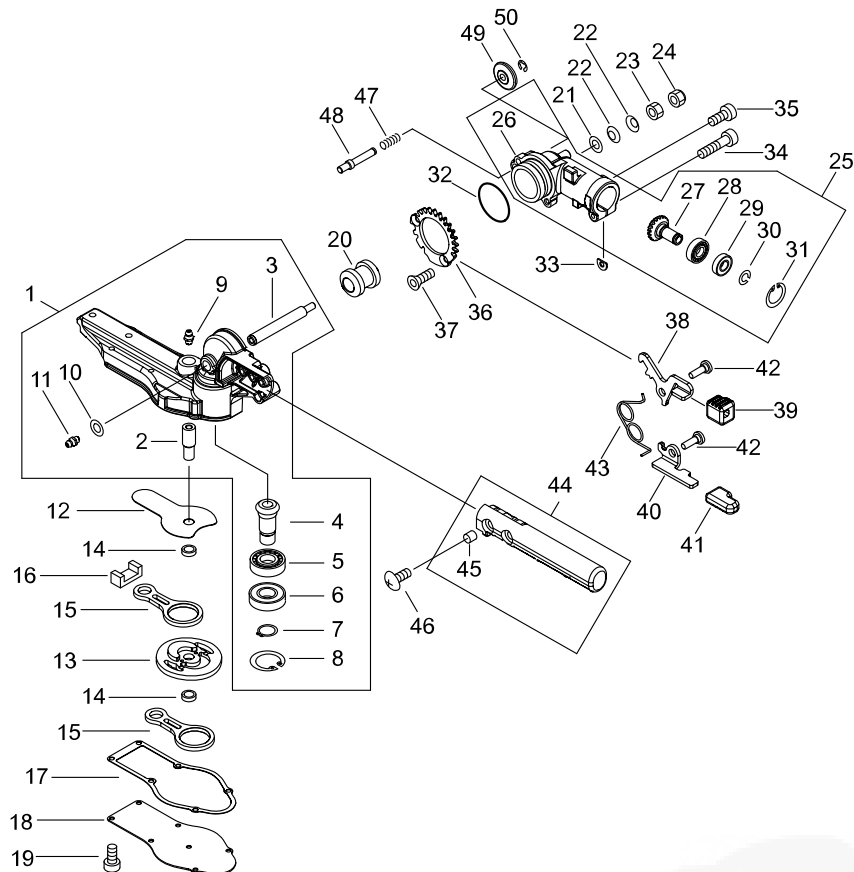
KEY	LV	PART NUMBER	Q'TY	DESCRIPTION	REMARKS	NOTE1	NOTE2
1		P021-037641	1	MUFFLER ASY			
2	+	A310-000170	1	SCREEN			
3	+	A313-001660	1	GUIDE, EXHAUST			
4	+	A313-001230	1	TAIL PLATE			
5	+	V104-001100	1	GASKET			
6	+	900283-04008	4	SCREW 4*8	4*8		
7	+	900283-04008	1	SCREW 4*8	4*8		
8		V104-002200	1	GASKET, EXHAUST			
9		91109-05055	2	BOLT	CB-5*0.8*55		
10		900604-00005	2	WASHER 5 SUS	5 SUS		
11		900106-05012	1	BOLT, H.S. 5*12	5*12		
12		A320-000870	1	COVER, MUFFLER			
13		V202-000200	1	BOLT			
14		X505-007710	1	LABEL, CAUTION			

## 9. RECOIL STARTER, PULLEY



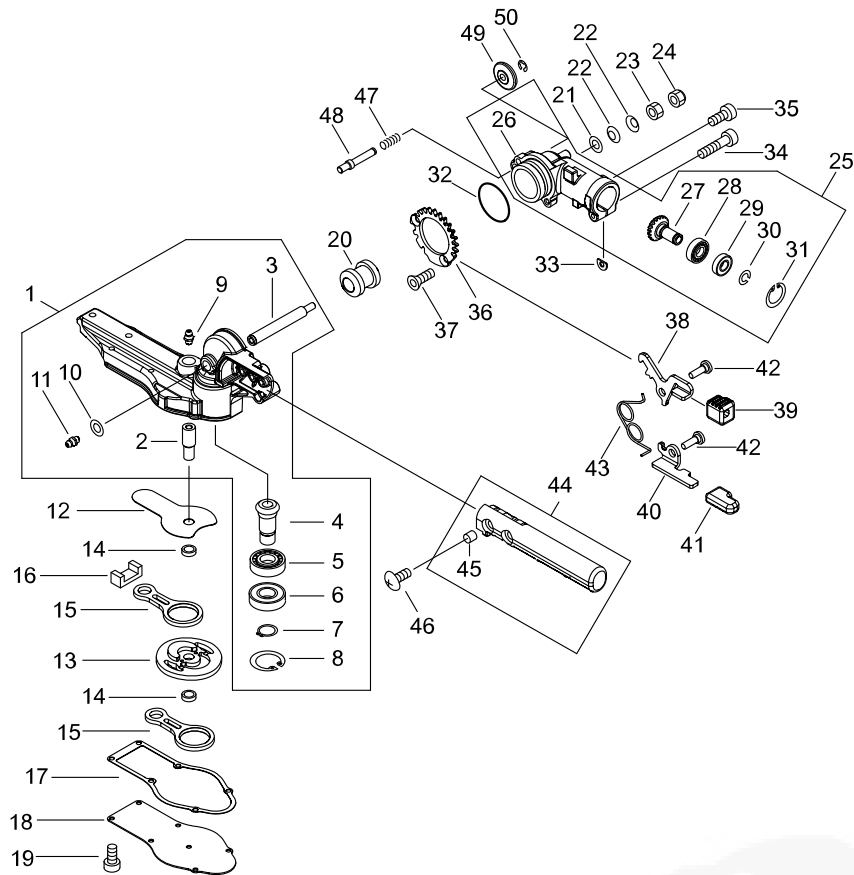
KEY	LV	PART NUMBER	Q'TY	DESCRIPTION	REMARKS	NOTE1	NOTE2
1		A051-002840	1	STARTER,RECOIL ASY			
2	+	P022-038050	1	CASE,STARTER			
3	+	P022-027980	1	DRUM, STARTER			
4	+	P022-028000	1	PLATE, CAM			
5	+	P022-008270	1	SPRING,DAMPER			
6	+	177220-42030	1	SPRING, REWIND			
7	+	177236-61830	1	SCREW			
8	+	P022-008260	1	ROPE	3M/M		
9	+	177228-27030	1	GRIP, STARTER			
10	+	P022-037670	1	STOPPER, ROPE			
11	+	900565-00005	2	NUT	5		
12		A052-000180	1	PULLEY,ASM STARTER			
13	+	P022-006850	2	PAWL, STARTER			
14	+	P022-006510	2	SPRING, RETURN			
15	+	P022-002100	2	E-RING	4		
16		V202-000200	2	BOLT			
17		X504-007680	1	LABEL,BRAND	SHINDAIWA 47		

## 10. GEAR CASE



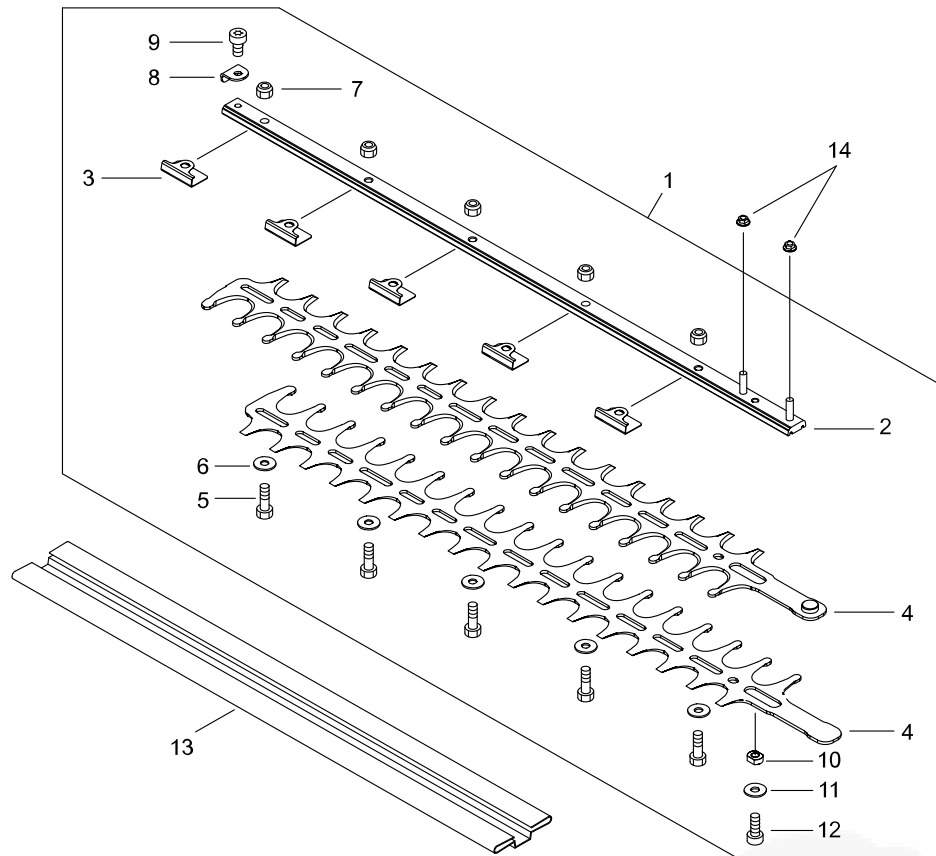
KEY	LV	PART NUMBER	Q'TY	DESCRIPTION	REMARKS	NOTE1	NOTE2
1		P021-047560	1	CASE ASY, GEAR			
2	+	C534-001060	1	SHAFT, GEAR			
3	+	C534-001010	1	SHAFT, GEAR	10 M6-M6		
4	+	V655-000090	1	SHAFT, PINION			
5	+	900800-36002	1	BEARING, BALL 6002	6002		
6	+	94004-36002	1	BEARING, BALL	BB6002ZZ/C3		
7	+	900701-00014	1	CIRCLIP 14	CS-14		
8	+	92424-32000	1	SNAP RING			
9	+	V187-000080	1	GREASE NIPPLE			
10	+	900603-00006	1	WASHER 6	6.5*13*1		
11	+	V187-000080	1	GREASE NIPPLE			
12		V150-003940	1	PLATE, EYE	T0.6		
13		V650-000660	1	GEAR, SPUR			
14		V356-000730	2	COLLAR, 10	9.5*13*L4		
15		C532-000360	2	ROD, CONNECTING			
16		V541-000570	1	SEAL			
17		V110-000180	1	GASKET, GEAR CASE			
18		C539-000130	1	LID, GEAR CASE	T1.2		
19		V804-000110	7	BOLT, TORX 4	TB-4*10 12.9		
20		P021-047570	1	GEAR, BEVEL SET			
21		900603-00006	1	WASHER 6	6.5*13*1		
22		V347-000030	2	CONE WASHER			
23		900502-00006	1	NUT 6 (3N)	3N6		
24		900560-00006	1	NUT, LOCK	6		
25		P021-047810	1	CASE ASY, GEAR			

## 10. GEAR CASE



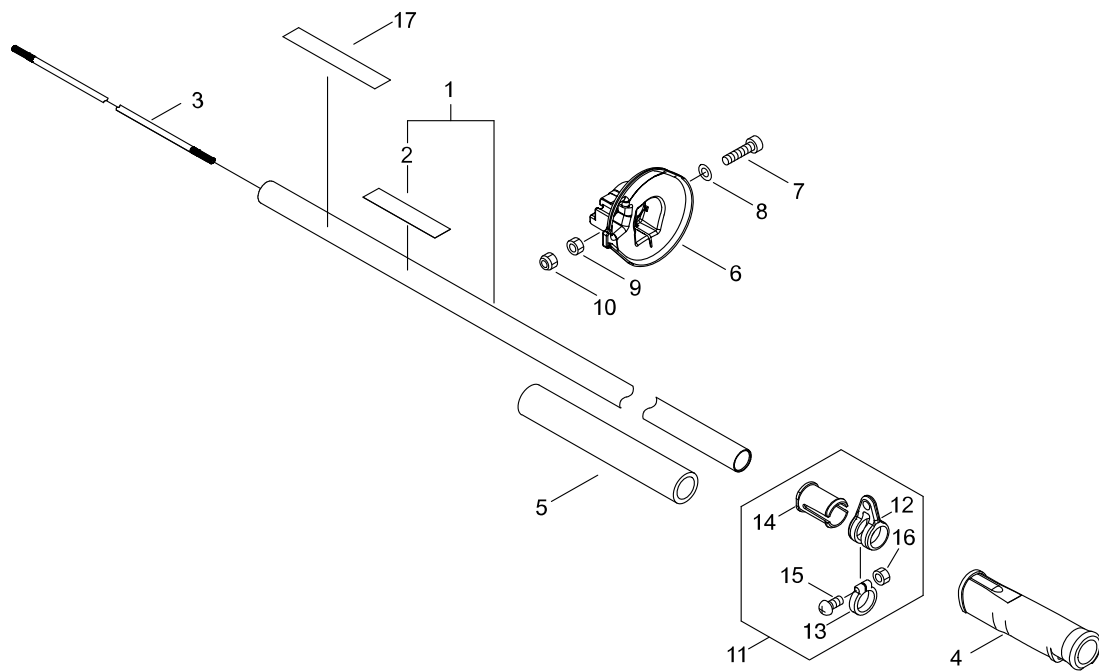
KEY	LV	PART NUMBER	Q'TY	DESCRIPTION	REMARKS	NOTE1	NOTE2
26	+	C531-001080	1	CASE,GEAR			
27	+	V000-000090	1	BEVEL PINION			
28	+	900800-00609	1	BEARING, BALL 609	609		
29	+	900804-00609	1	BEARING, BALL 609	609ZZ		
30	+	900706-00009	1	CIRCLIP 9	WR-9		
31	+	92424-24000	1	SNAP RING			
32		900724-00035	1	O-RING 35			
33		V340-000300	1	SHIM			
34		V805-000170	1	BOLT, TORX 5	TB-5*25 10.9		
35		V805-000130	1	BOLT, TORX 5	TB-5*10 10.9		
36		C465-000030	1	RESETTER, LATCH			
37		900175-05012	2	BOLT, H.S.H	5*12		
38		C661-000150	1	LEVER, RELEASE	T3.2		
39		V494-000880	1	CAP			
40		C661-000080	1	SAFTY LEVER			
41		V494-000890	1	CAP			
42		V204-000580	2	PIN RATCHET			
43		V452-000710	1	COIL SPRING			
44		C403-000480	1	HANDLE			
45	+	V354-000320	2	COLLAR			
46		91463-06020	2	SCREW TRUSS			
47		V450-001930	1	SPRING, COMPRESSION			
48		C226-000070	1	PIN, CONTROL			
49		M613-000250	1	KNOB			
50		900700-00005	1	E-RING 5	CE-5		

## 11. CUTTING BLADE



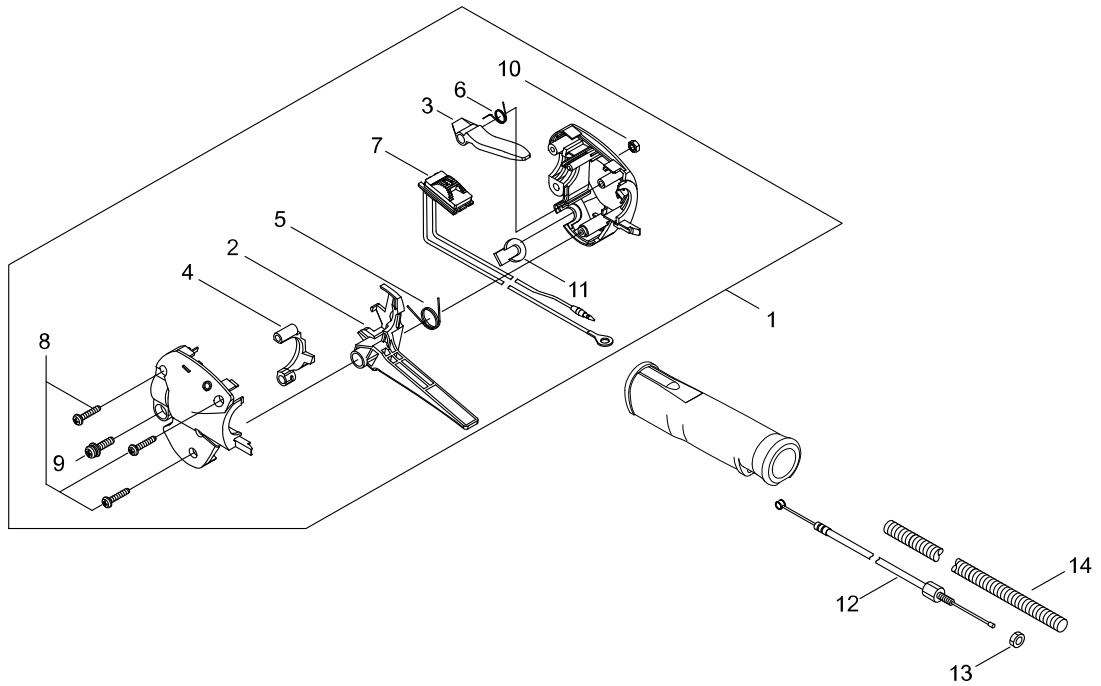
KEY	LV	PART NUMBER	Q'TY	DESCRIPTION	REMARKS	NOTE1	NOTE2
1		X041-000510	1	CUTTER,ASM			
2	+	X425-000920	1	SUPPORT,CUTTER	600MM		
3	+	X425-000930	5	SUPPORT,CUTTER	T0.5		
4	+	X411-001320	2	CUTTER	600MM T2.0		
5	+	V204-000570	5	BOLT			
6	+	V304-000240	5	WASHER			
7	+	433022-06460	5	NUT			
8	+	J447-001050	1	GUARD	T1.6		
9	+	V805-000120	1	BOLT, TORX 5	TB-5*8 10.9		
10	+	V376-002130	1	SPACER			
11	+	V304-000240	1	WASHER			
12	+	V805-000250	1	BOLT, TORX 5	TB-5*16 12.9		
13		X495-000600	1	SCABBARD,BLADE			
14		V263-000330	2	FLANGE NUT			

## 12. MAIN PIPE



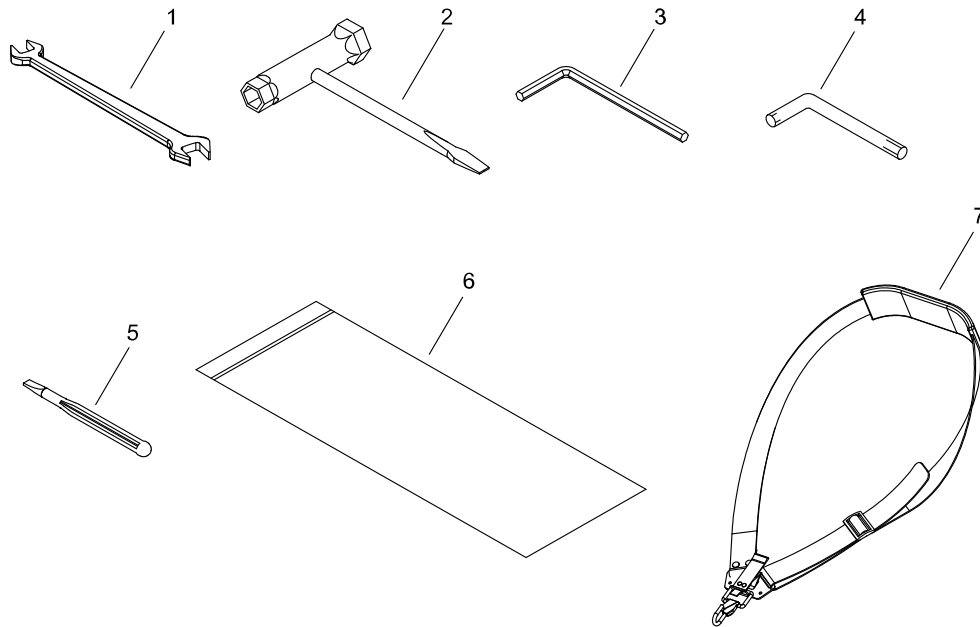
KEY	LV	PART NUMBER	Q'TY	DESCRIPTION	REMARKS	NOTE1	NOTE2
1		P021-047750	1	MAIN PIPE ASY			
2	+	X505-002890	1	LABEL CAUTION			
3		C504-000500	1	MAIN SHAFT	6 X 1495		
4		C412-000261	1	GRIP, HANDLE			
5		C403-000470	1	GRIP			
6		C440-000110	1	GUARD, HAND			
7		V805-000060	1	BOLT, TORX 5	TB-5*35 10.9		
8		900603-00005	1	WASHER 5	5.5*12*0.8		
9		900500-00005	1	NUT 5	5		
10		900562-00005	1	NUT, LOCK	5		
11		C063-000000	1	HANGER ASSY			
12	+	C670-000060	1	HANGER			
13	+	V495-001330	1	CLAMP			
14	+	V363-000110	1	COLLAR			
15	+	91578-04016	1	SCREW PM			
16	+	900500-00004	1	NUT 4	4		
17		X504-001100	1	LABEL TRADE			

## 13. THROTTLE



KEY	LV	PART NUMBER	Q'TY	DESCRIPTION	REMARKS	NOTE1	NOTE2
1		C044-000350	1	THROTTLE LEVER ASSY			
2	+	C450-000480	1	LEVER			
3	+	C460-000190	1	LOCK LEVER			
4	+	C461-000020	1	HOLDER			
5	+	P022-025820	1	SPRING, THR. RETURN			
6	+	V452-000500	1	COIL SPRING			
7	+	P022-038060	1	SWITCH ASY			
8	+	P022-032480	3	SCREW			
9	+	P022-025800	1	SCREW	M5*20		
10	+	92017-05000	1	NUT	M5		
11	+	P022-025790	1	PLUG			
12		V430-002611	1	CABLE, BOWDEN			
13		900502-00006	1	NUT 6 (3N)	3N6		
14		V475-004470	1	TUBE			

14. ACCESSORIES



KEY	LV	PART NUMBER	Q'TY	DESCRIPTION	REMARKS	NOTE1	NOTE2
1		X600-000020	1	SPANNER			
2		X602-000120	1	TOOL,WRENCH	19-13		
3		X605-000100	1	TOOL,L WRENCH	4MM M5		
4		X605-000170	1	TOOL,L WRENCH			
5		X626-000010	1	TOOL,SCRAPER			
6		X705-000100	1	BAG,PACKING	140*200*T0.08		
7		C062-000390	1	STRAP ASSY			



**Index**

<b>Patrs Number</b>	<b>Key No.</b>	<b>Patrs Number</b>	<b>Key No.</b>	<b>Patrs Number</b>	<b>Key No.</b>
100015-04630	1 - 10	900700-00005	10 - 50	A413-000000	4 - 10
123110-05560	6 - 15	900701-00010	4 - 6	A425-000000	3 - 9
123112-40630	6 - 12	900701-00014	10 - 7	A426-000010	3 - 12
123114-40630	6 - 14	900702-00026	4 - 4	A427-000060	3 - 10
123122-05560	6 - 43	900702-00040	4 - 9	A429-000090	3 - 11
123123-03930	6 - 46	900706-00009	10 - 30	A556-001300	4 - 5
123126-10631	6 - 44	900724-00035	10 - 32	A557-000040	4 - 14
123128-54230	6 - 19	900800-00609	10 - 28	A566-000050	4 - 13
123137-19830	6 - 41	900800-36001	2 - 2	A575-000470	4 - 8
123138-03930	6 - 45	900800-36001	2 - 4	C044-000350	13 - 1
123139-05560	6 - 42	900800-36002	10 - 5	C062-000390	14 - 7
123140-05560	6 - 10	900802-06000	4 - 3	C063-000000	12 - 11
123142-05560	6 - 7	900804-00609	10 - 29	C226-000070	10 - 48
123143-12110	6 - 6	91109-05055	8 - 9	C403-000470	12 - 5
123149-54230	6 - 18	91109-05060	5 - 9	C403-000480	10 - 44
123172-45130	6 - 9	91122-05022	4 - 11	C412-000261	12 - 4
123173-07930	6 - 4	91463-06020	10 - 46	C440-000110	12 - 6
123181-40630	6 - 20	91578-04016	12 - 15	C450-000480	13 - 2
123183-40630	6 - 5	92017-05000	13 - 10	C460-000190	13 - 3
130110-54430	7 - 10	92424-24000	10 - 31	C461-000020	13 - 4
131016-55830	7 - 3	92424-32000	10 - 8	C465-000030	10 - 36
132010-49730	7 - 13	93115-03010	3 - 8	C504-000500	12 - 3
132115-55930	7 - 6	94004-36002	10 - 6	C531-001080	10 - 26
177220-42030	9 - 6	A011-000700	1 - 1	C532-000360	10 - 15
177228-27030	9 - 9	A021-003310	5 - 1	C534-001010	10 - 3
177236-61830	9 - 7	A021-003310	6 -	C534-001060	10 - 2
433022-06460	11 - 7	A023-000290	5 - 7	C539-000130	10 - 18
437210-30830	7 - 7	A051-002840	9 - 1	C661-000080	10 - 40
900105-05016	1 - 4	A052-000180	9 - 12	C661-000150	10 - 38
900105-05025	2 - 6	A101-000290	1 - 6	C670-000060	12 - 12
900106-05012	8 - 11	A130-001710	1 - 2	J447-001050	11 - 8
900162-05018	4 - 7	A160-002280	1 - 11	M613-000250	10 - 49
900162-05018	7 - 16	A172-001700	4 - 2	P003-001850	6 - 13
900162-05030	5 - 6	A175-000080	7 - 14	P003-003980	6 - 2
900162-05040	7 - 17	A200-000910	5 - 4	P003-004100	6 - 11
900175-05012	10 - 37	A209-000460	5 - 2	P003-004110	6 - 16
900283-04008	8 - 6	A226-001390	5 - 13	P003-004120	6 - 17
900283-04008	8 - 7	A232-000640	5 - 10	P003-004150	6 - 3
900500-00004	12 - 16	A244-000120	5 - 8	P003-004160	6 - 8
900500-00005	12 - 9	A310-000170	8 - 2	P021-035680	7 - 2
900502-00006	10 - 23	A313-001230	8 - 4	P021-035702	4 - 1
900502-00006	13 - 13	A313-001660	8 - 3	P021-037641	8 - 1
900560-00006	10 - 24	A320-000870	8 - 12	P021-047530	2 - 1
900562-00005	12 - 10	A350-000972	7 - 1	P021-047540	1 - 5
900565-00005	9 - 11	A356-000040	7 - 11	P021-047550	4 - 12
900603-00005	12 - 8	A365-000060	7 - 4	P021-047560	10 - 1
900603-00006	10 - 10	A369-000001	7 - 8	P021-047570	10 - 20
900603-00006	10 - 21	A409-001060	3 - 1	P021-047750	12 - 1
900604-00005	8 - 10	A411-001540	3 - 2	P021-047810	10 - 25

**Index**

<b>Patrs Number</b>	<b>Key No.</b>	<b>Patrs Number</b>	<b>Key No.</b>	<b>Patrs Number</b>	<b>Key No.</b>
P022-002100	9 - 15	V450-001930	10 - 47		
P022-006510	9 - 14	V452-000500	13 - 6		
P022-006850	9 - 13	V452-000710	10 - 43		
P022-008260	9 - 8	V475-004470	13 - 14		
P022-008270	9 - 5	V475-006600	3 - 3		
P022-025790	13 - 11	V485-002470	3 - 4		
P022-025800	13 - 9	V490-001230	7 - 12		
P022-025820	13 - 5	V490-001240	7 - 9		
P022-027980	9 - 3	V494-000880	10 - 39		
P022-028000	9 - 4	V494-000890	10 - 41		
P022-032480	13 - 8	V495-001330	12 - 13		
P022-037670	9 - 10	V505-000070	2 - 5		
P022-038050	9 - 2	V505-000080	2 - 3		
P022-038060	13 - 7	V541-000570	10 - 16		
V000-000090	10 - 27	V553-000080	1 - 7		
V100-000610	1 - 3	V606-000000	1 - 8		
V103-000660	5 - 5	V650-000660	10 - 13		
V103-001060	5 - 3	V655-000090	10 - 4		
V104-001100	8 - 5	V804-000110	10 - 19		
V104-002200	8 - 8	V805-000060	12 - 7		
V110-000180	10 - 17	V805-000120	11 - 9		
V150-003940	10 - 12	V805-000130	10 - 35		
V187-000080	10 - 9	V805-000170	10 - 34		
V187-000080	10 - 11	V805-000250	11 - 12		
V202-000200	1 - 12	X041-000510	11 - 1		
V202-000200	8 - 13	X411-001320	11 - 4		
V202-000200	9 - 16	X425-000920	11 - 2		
V202-000480	3 - 6	X425-000930	11 - 3		
V204-000570	11 - 5	X495-000600	11 - 13		
V204-000580	10 - 42	X504-001100	12 - 17		
V263-000330	11 - 14	X504-007680	9 - 17		
V265-000140	3 - 7	X504-007700	1 - 13		
V299-000340	5 - 11	X505-002890	12 - 2		
V304-000150	4 - 16	X505-007710	8 - 14		
V304-000240	11 - 6	X600-000020	14 - 1		
V304-000240	11 - 11	X602-000120	14 - 2		
V306-000250	1 - 9	X605-000100	14 - 3		
V322-000040	3 - 5	X605-000170	14 - 4		
V323-000080	5 - 12	X626-000010	14 - 5		
V340-000300	10 - 33	X705-000100	14 - 6		
V346-000040	4 - 15				
V347-000030	10 - 22				
V354-000110	7 - 15				
V354-000320	10 - 45				
V356-000730	10 - 14				
V363-000110	12 - 14				
V376-002130	11 - 10				
V420-002220	7 - 5				
V430-002611	13 - 12				

# YAMABIKO CORPORATION

7-2 SUEHIROCHO 1-CHOME, OHME, TOKYO 198-8760, JAPAN  
PHONE: 81-428-32-6118. FAX: 81-428-32-6145.

**shindaiwa<sup>®</sup>**



14Fb  
No. 06-278