

shindaiwa

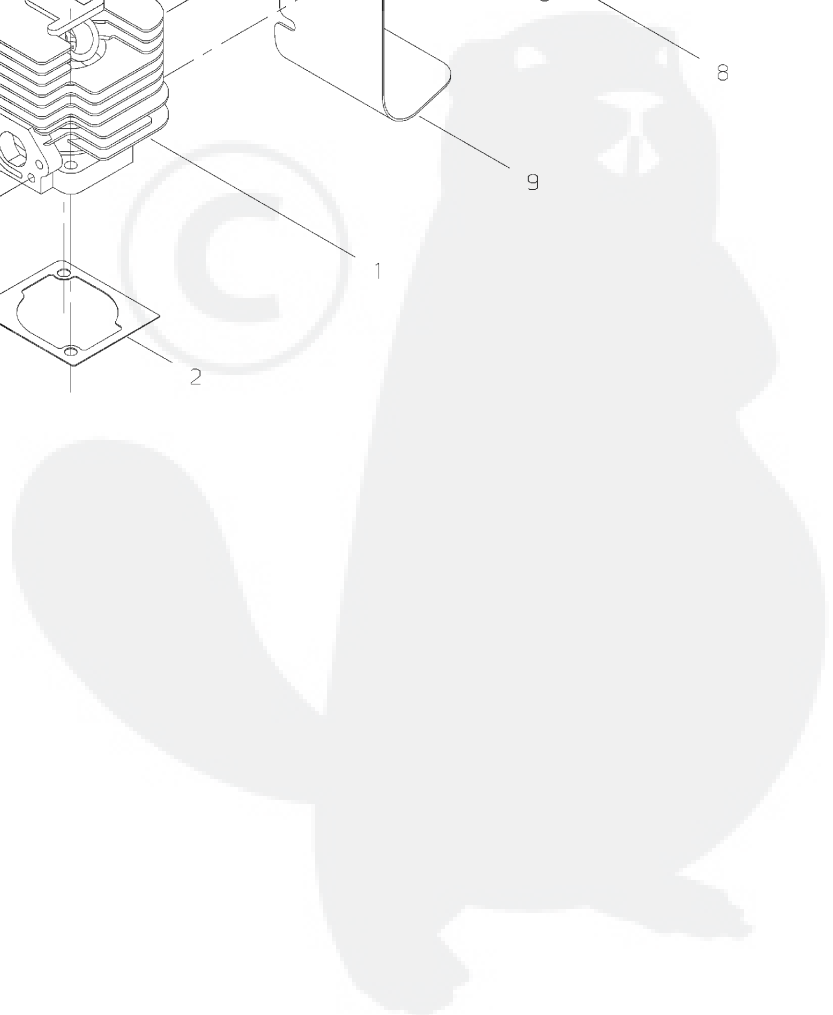
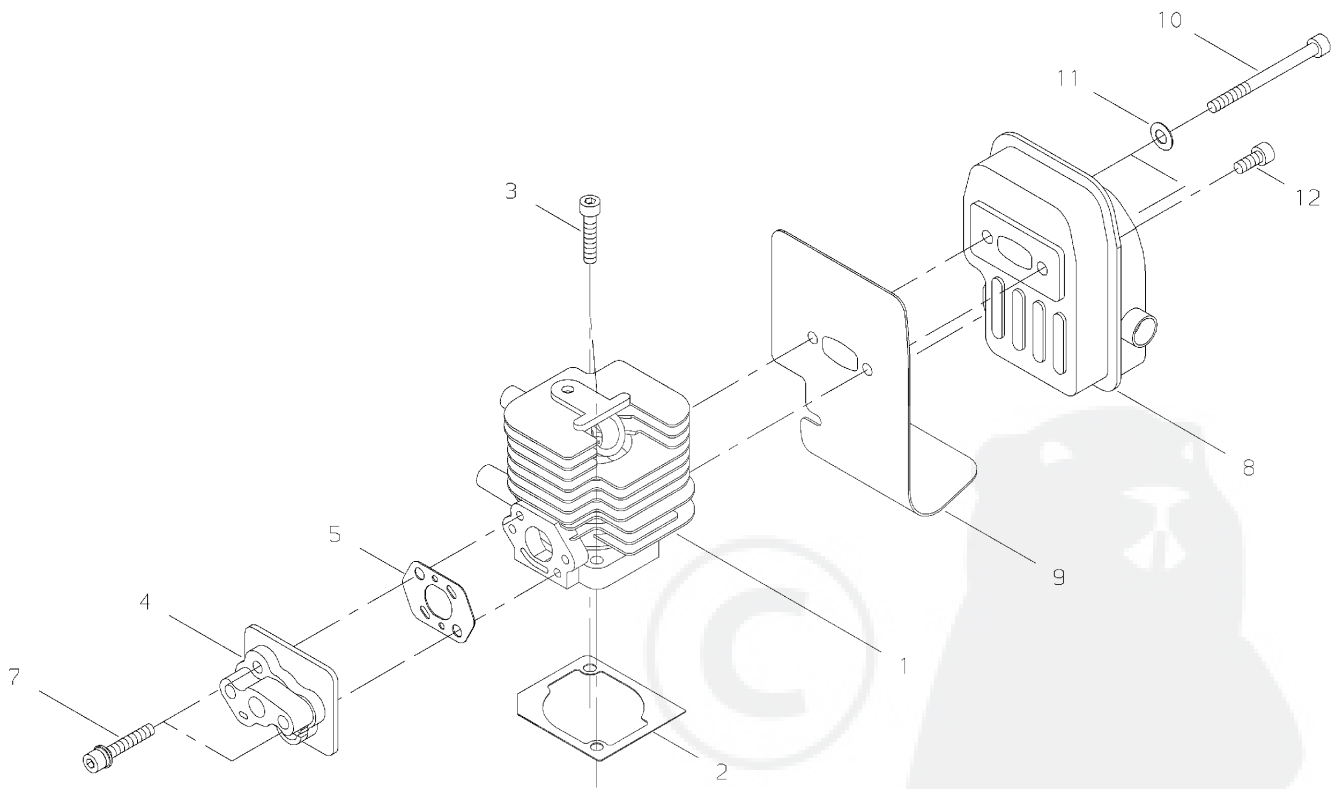
Illustrated Parts List

AH230s/EC1

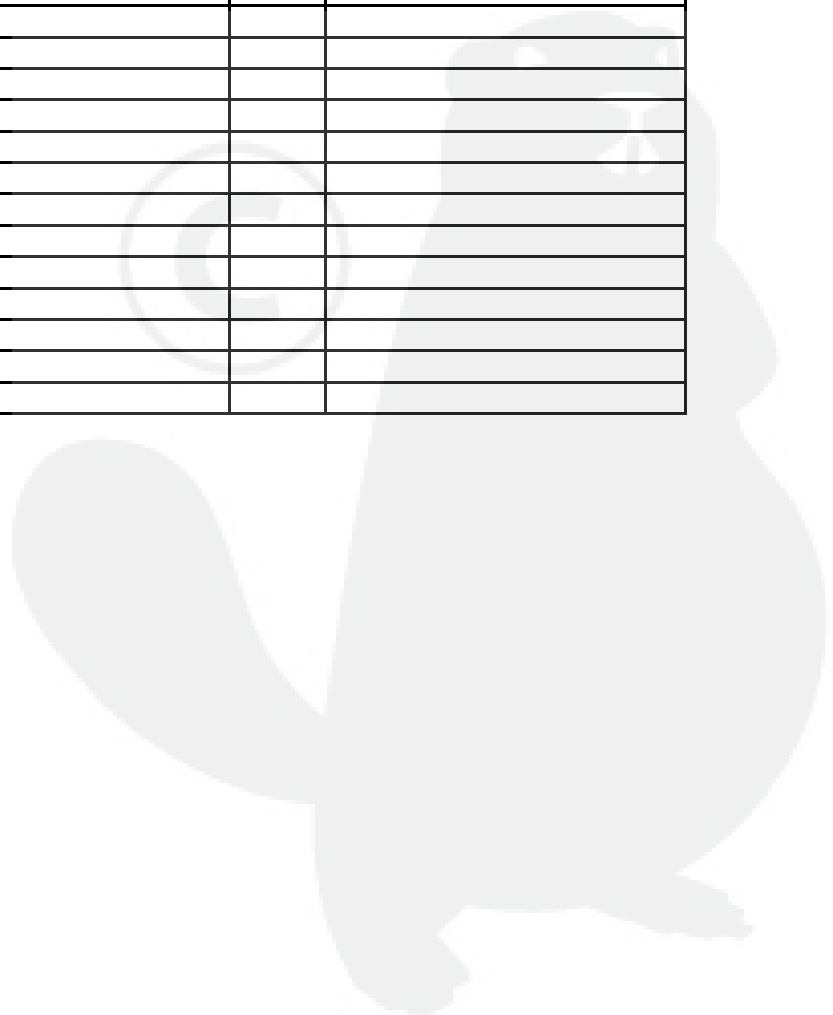


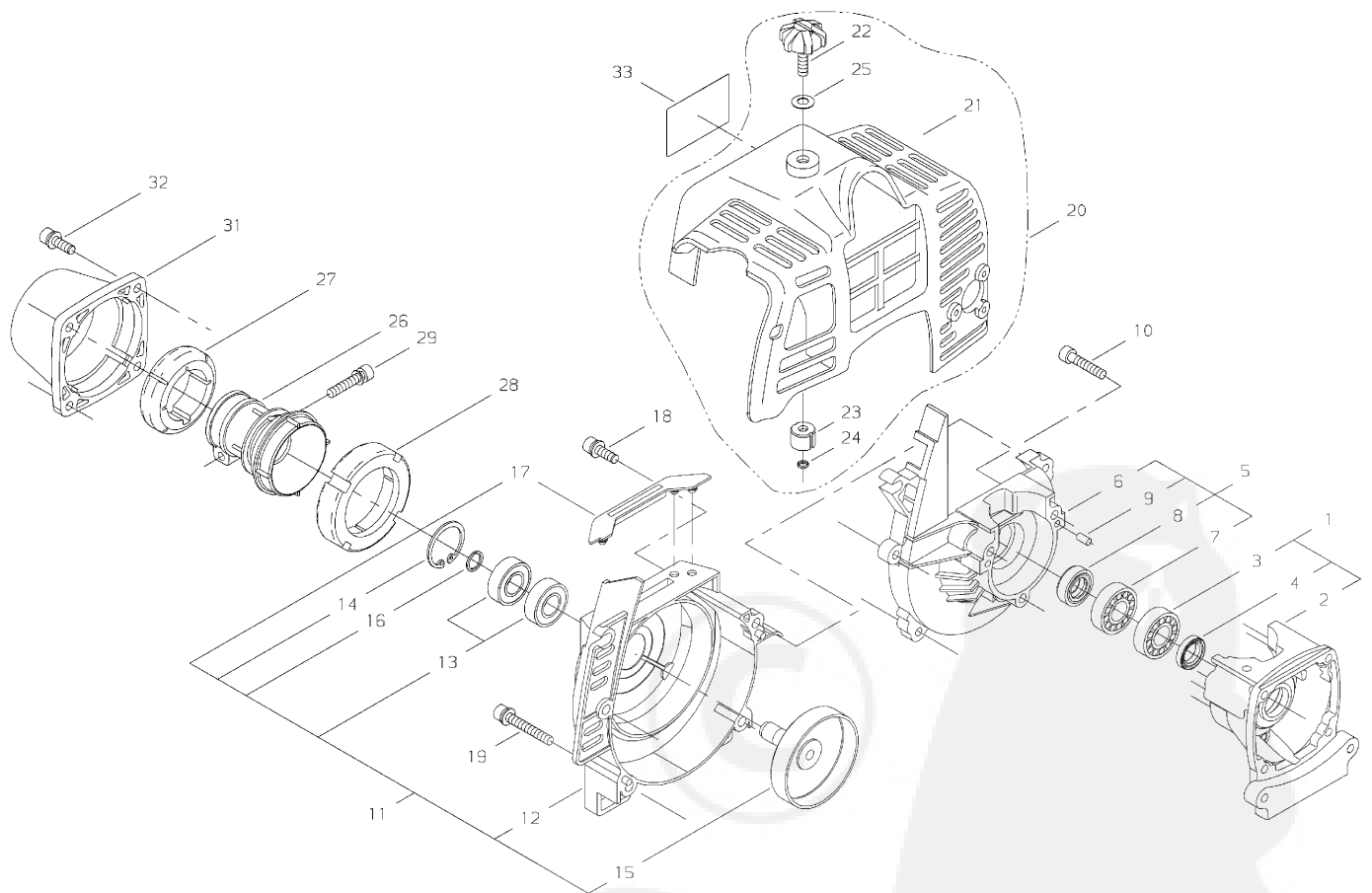
Shindaiwa, Inc.
11975 S.W. Herman Road
Tualatin, Oregon 97062
Telephone 503 692-3070
Fax 503 692-6696

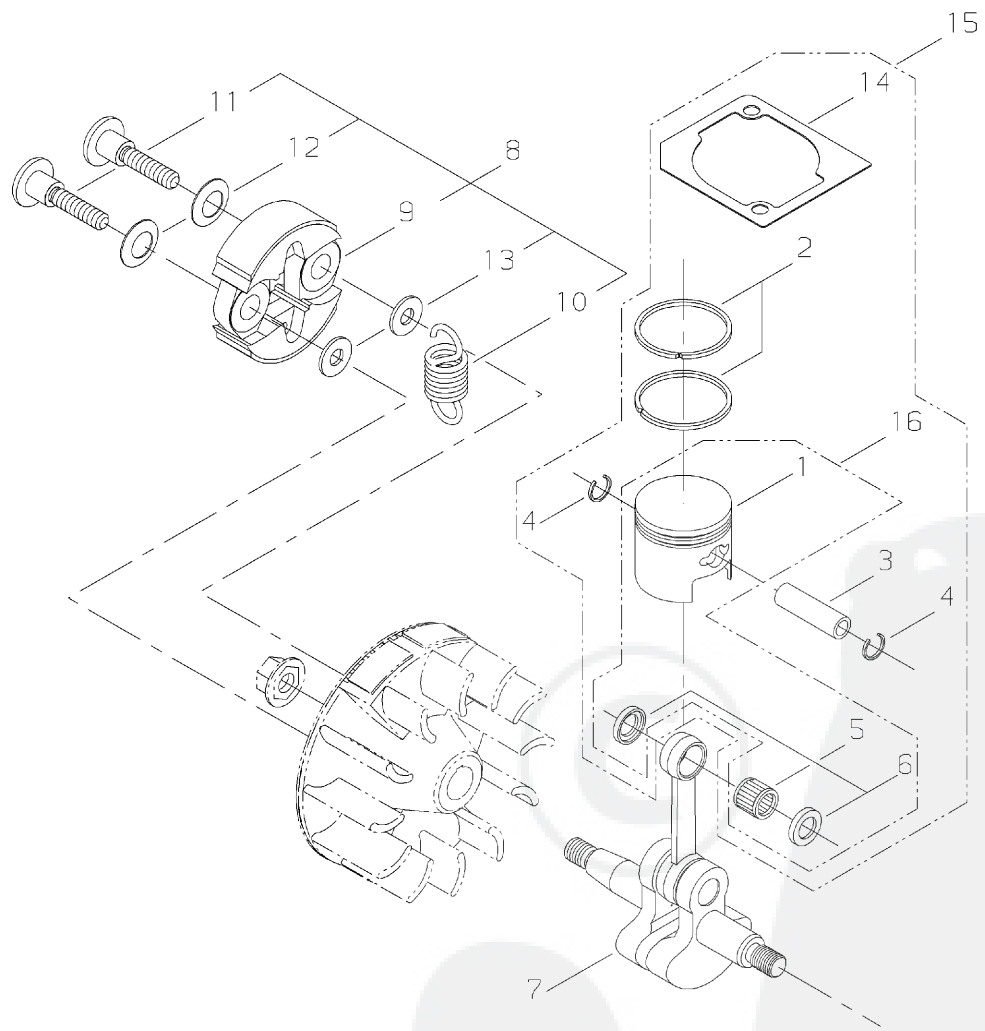
AH230s/EC1
REV September 30, 2005

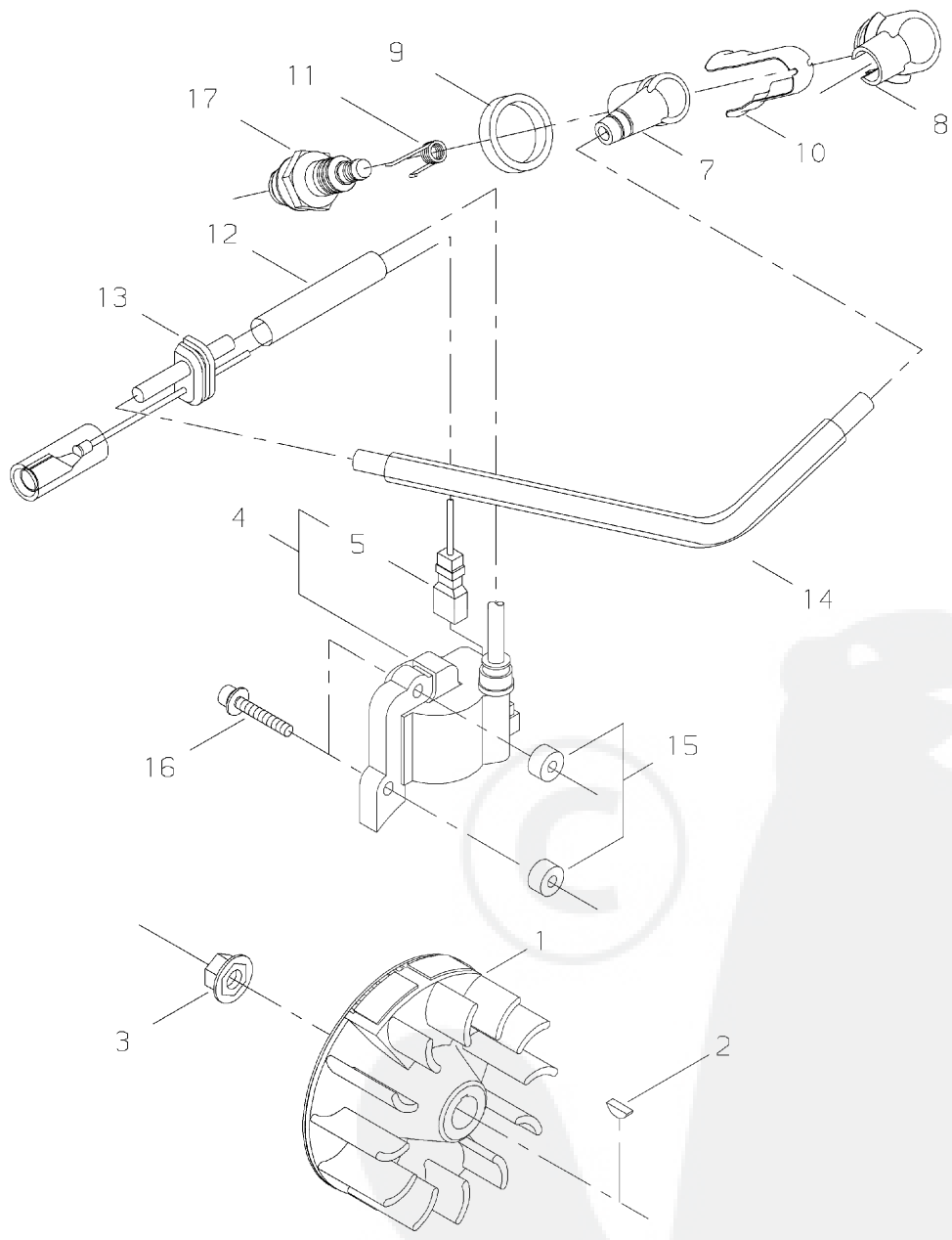


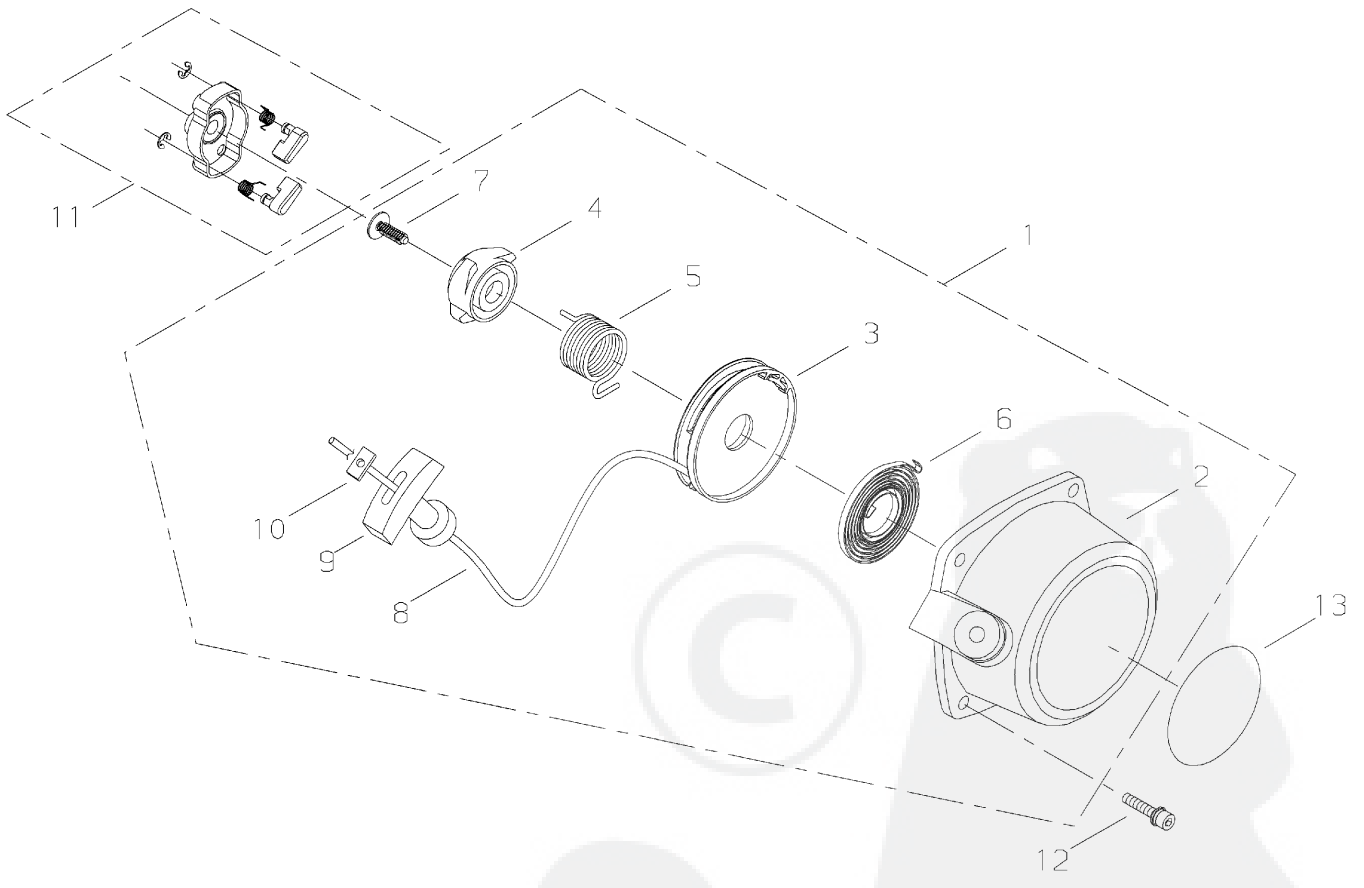
Ref. No	Part No.	Part Name	Q`ty	Remarks, Serial No.
1- 1	62809-12111	CYLINDER	1	
2	20016-12120	GASKET	1	
3	01020-05250	BOLT	2	
4	20016-12213	INSULATOR	1	
5	20016-12222	GASKET	1	
7	11022-05300	BOLT SW	2	
8	70135-15110	MUFFLER	1	
9	20016-15123	GASKET	1	
10	01020-05500	BOLT	2	
11	01610-05080	WASHER	2	
12	01020-05120	BOLT	1	

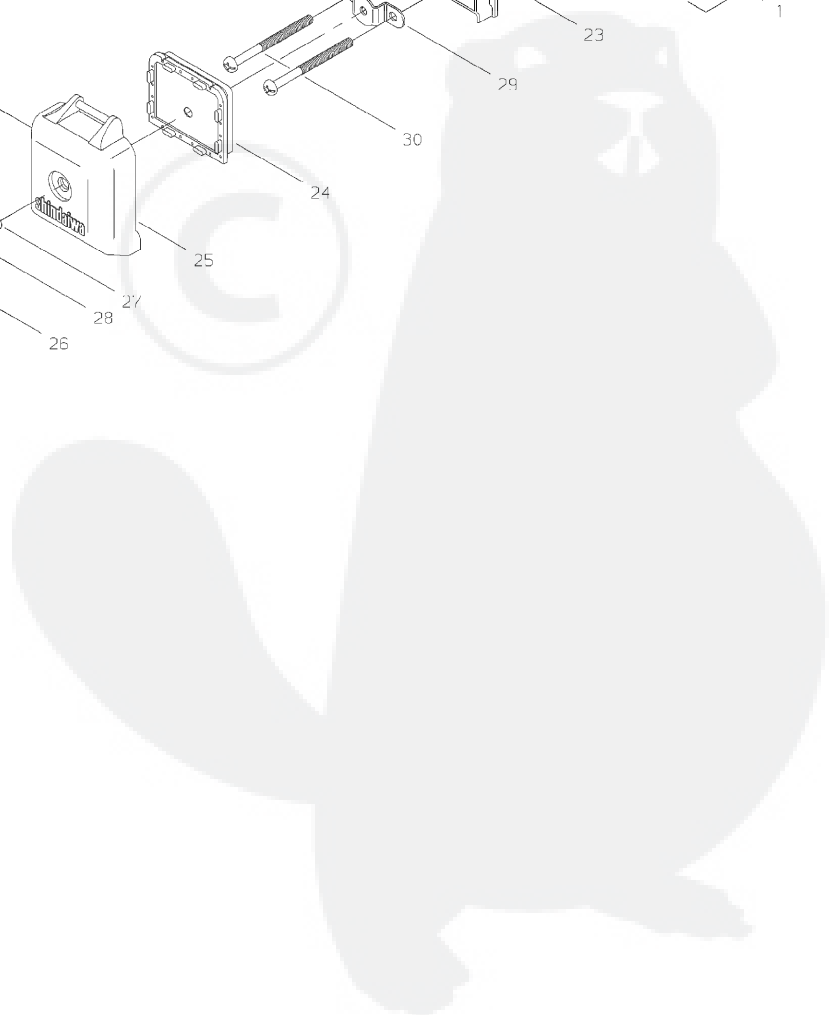
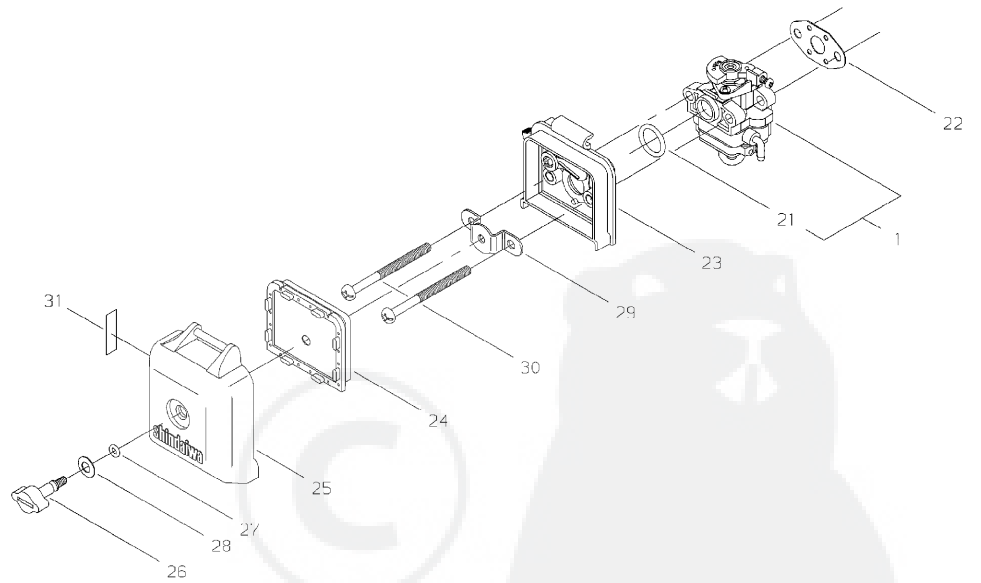
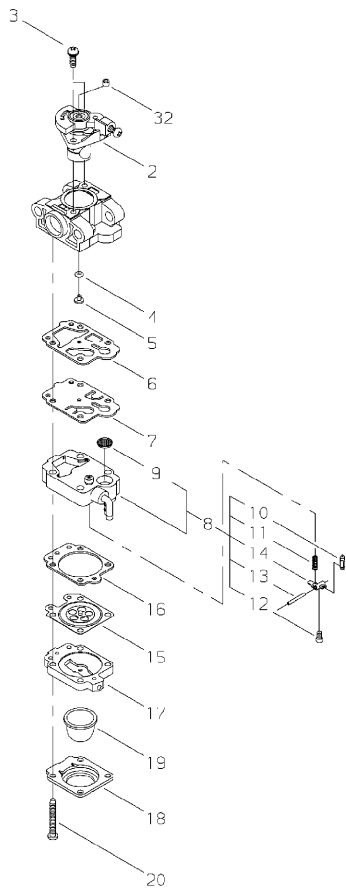


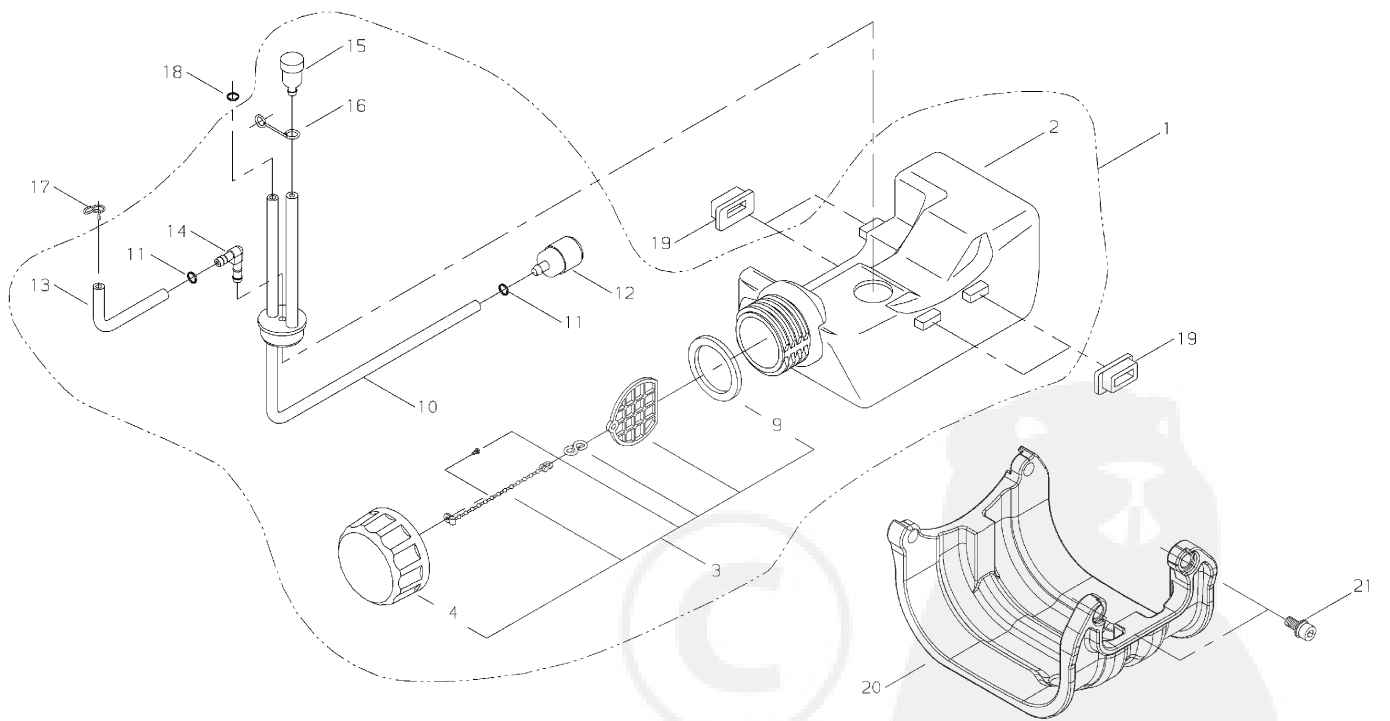




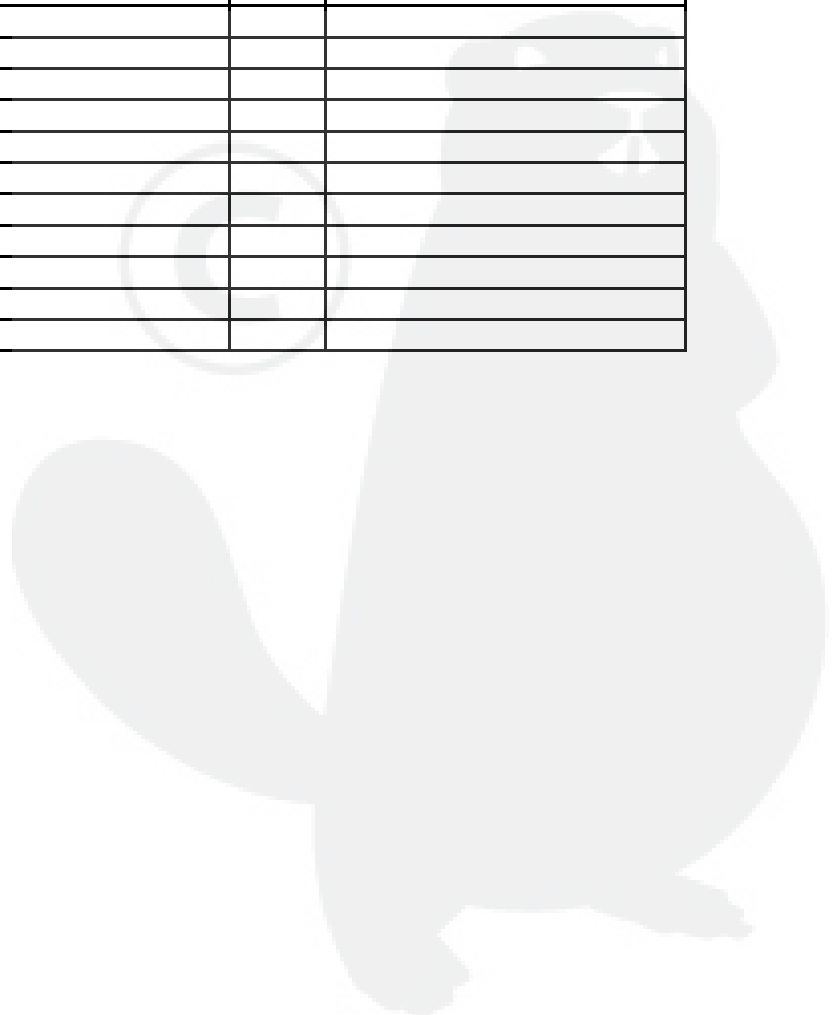


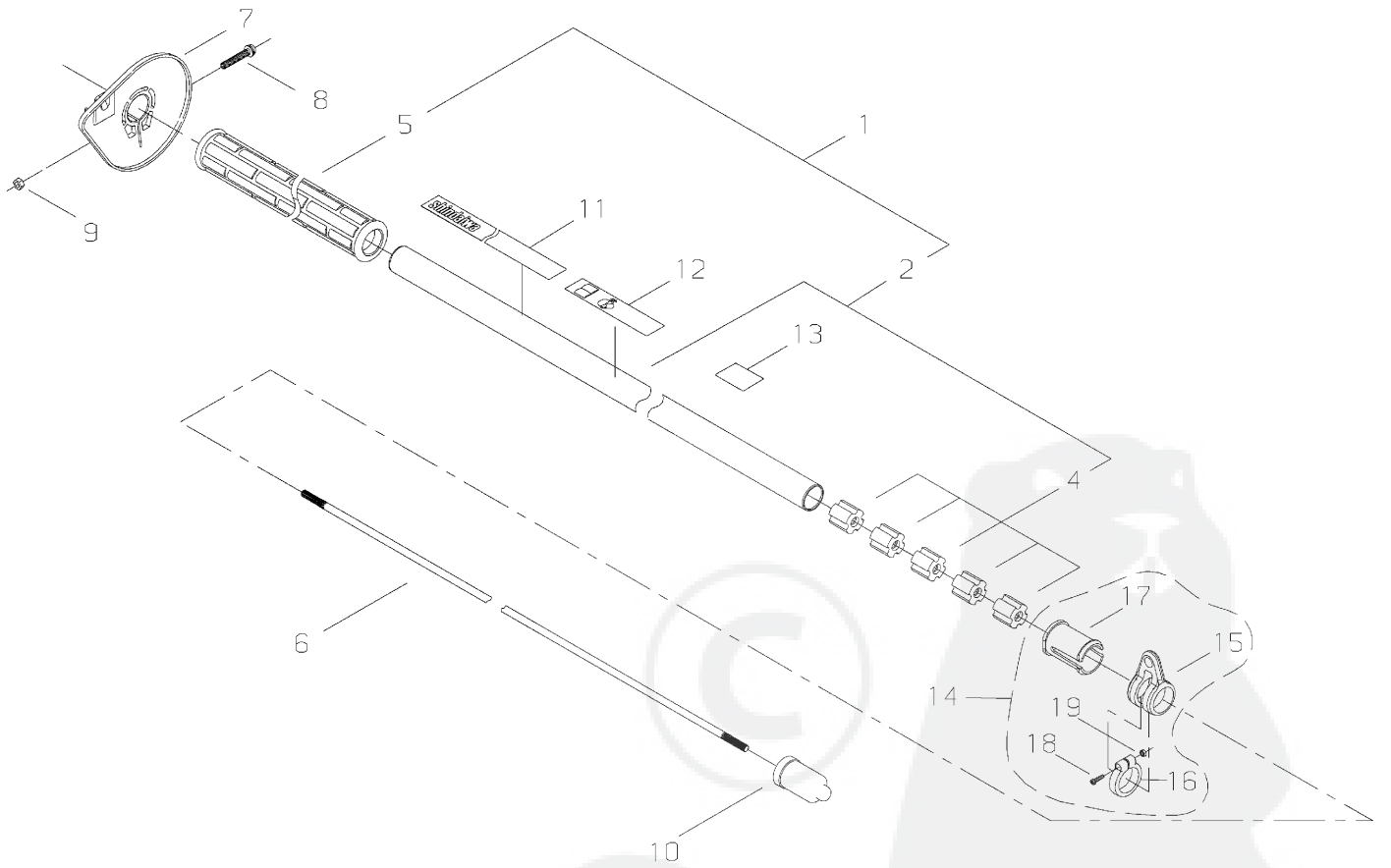




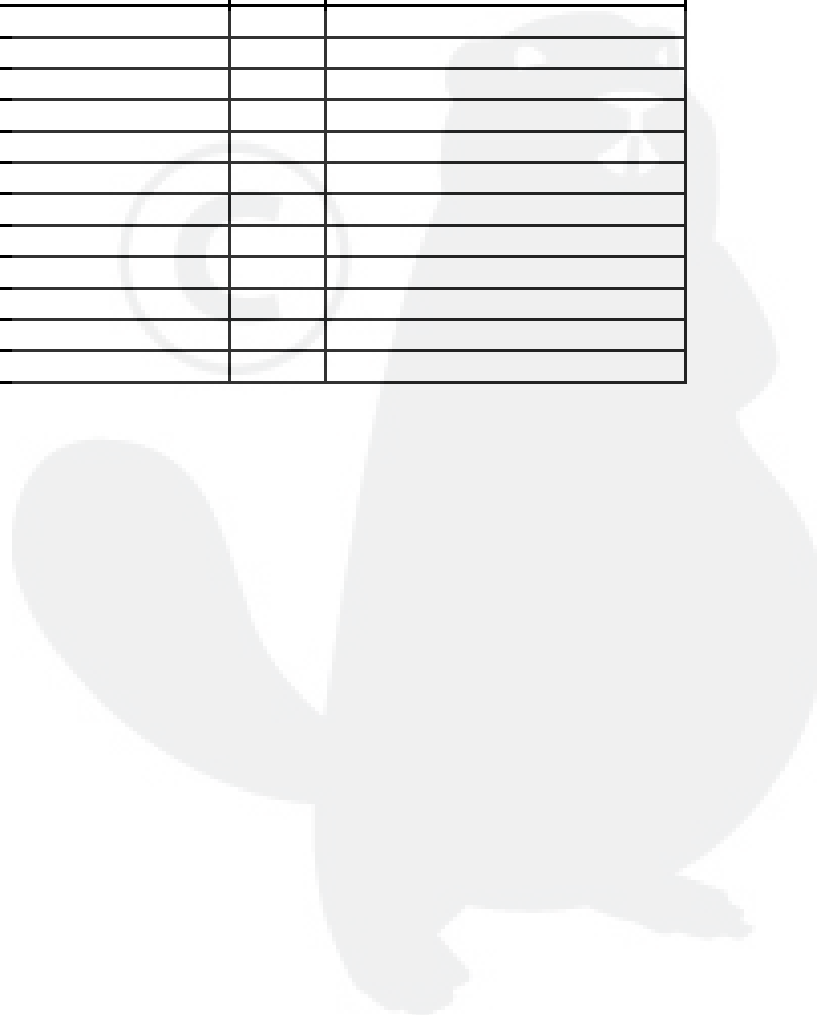


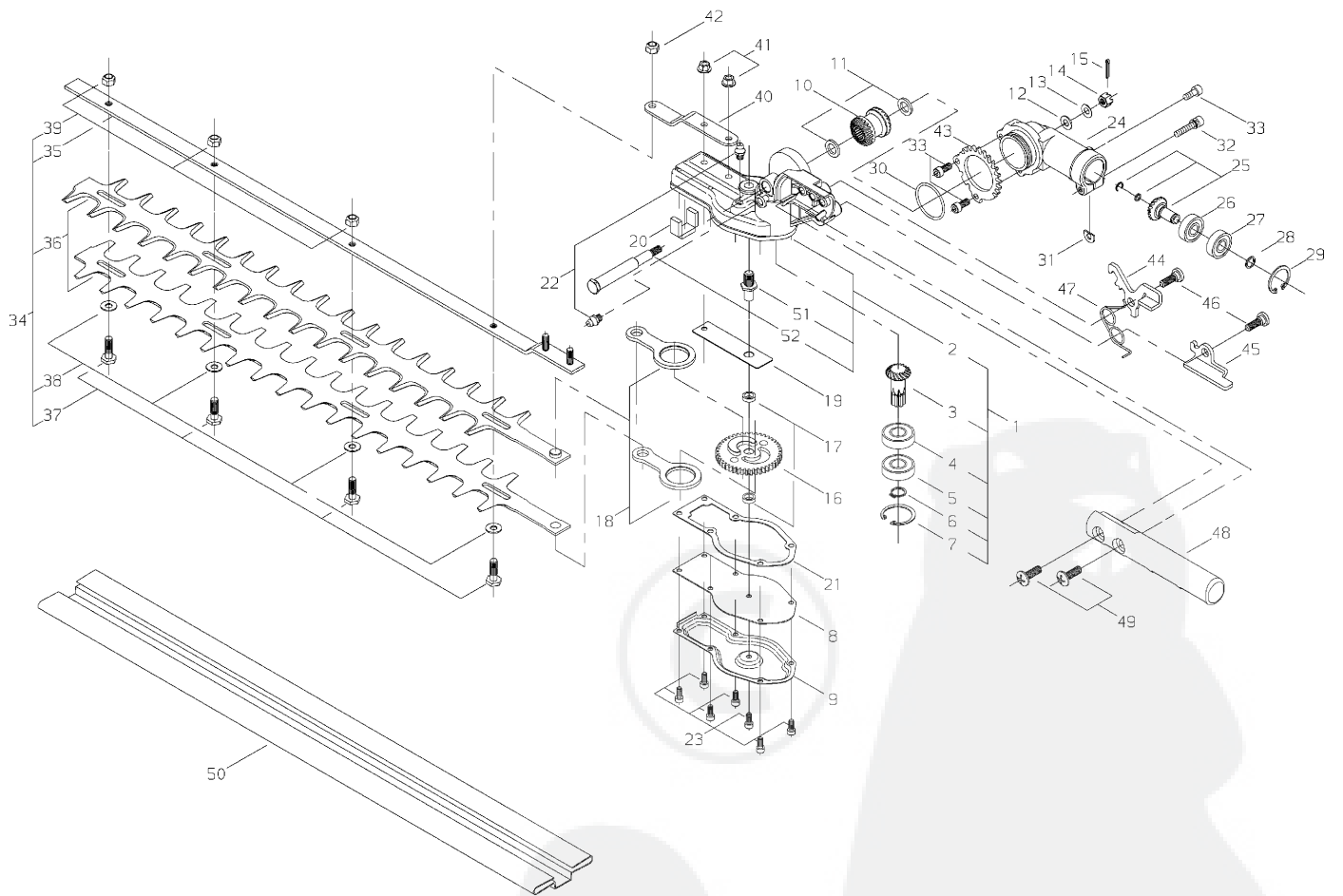
Ref. No	Part No.	Part Name	Q`ty	Remarks, Serial No.
7- 1	70192-85001	FUEL TANK ASSY.	1	
2	20016-85112	*FUEL TANK	1	
3	70168-85201	*FUEL CAP ASSY.	1	
4	70168-85210	**FUEL CAP	1	
9	20000-85221	**GASKET	1	
10	20016-85310	*FUEL PIPE	1	
11	20020-85540	*CLIP	2	
12	20016-85400	*FUEL FILTER	1	
13	20089-83311	*PIPE	1	
14	20087-85340	*JOINT	1	
15	20035-85522	*VALVE	1	
16	20016-12310	*VALVE HOLDER	1	
17	37013-85310	CLIP	1	
18	20020-85540	CLIP	1	
19	20024-86120	TANK CUSHION	4	
20	62902-85320	TANK GUARD	1	
21	11022-05180	BOLT SPW	2	



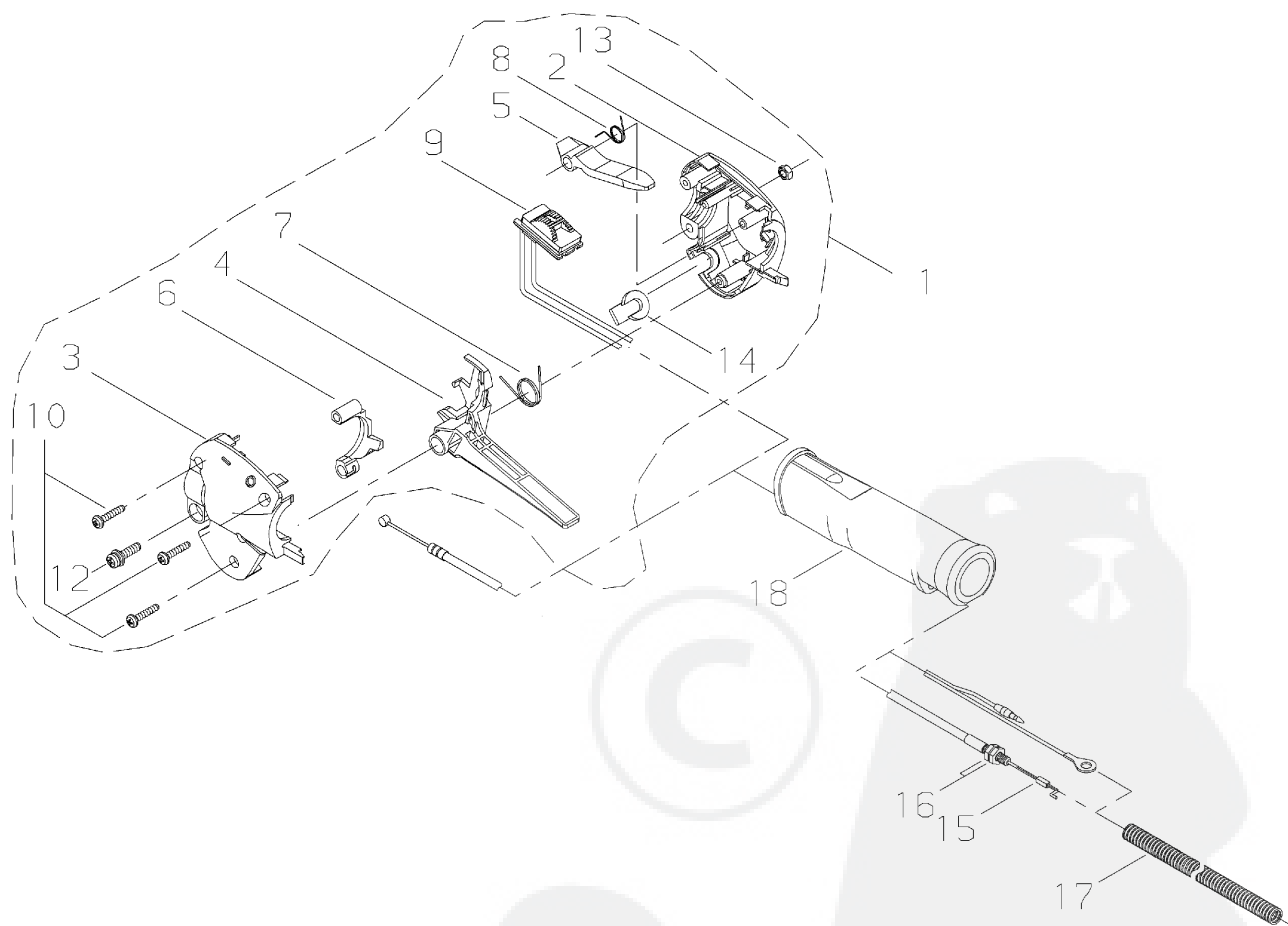


Ref. No	Part No.	Part Name	Q`ty	Remarks, Serial No.
8- 1	63840-64312	OUTER PIPE COMP.	1	
2	80022	*OUTER PIPE COMP	1	Available from U.S. only
4	22035-12120	**BUSH	5	
5	63840-64331	*GRIP	1	
6	22070-12410	MAINSHAFT	1	
7	63840-64340	PROTECTOR	1	
8	11207-05300	SCREW PMSLPW	1	
9	01500-05041	NUT	1	
10	20891-98180	LINER CAP	1	
11	19420-00084	LABEL TRADE	1	
12	19402-00225	LABEL CAUTION	1	
13	19404-00033	LABEL DECIBEL	1	
14	33008-62340	HANGER ASSY.	1	
15	33008-62151	*HANGER	1	
16	33008-62311	*CLAMP	1	
17	33008-62321	*COLLAR	1	
18	11203-04160	*SCREW PM	1	
19	01500-04031	*NUT	1	





Ref. No	Part No.	Part Name	Q`ty	Remarks, Serial No.
9- 1	63840-61011	GEARCASE COMP.	1	
2	63840-61111	*GEARCASE	1	
51	68120-61320	**MAINSHAFT	1	
52	63840-61320	**SHAFT	1	
3	63840-61330	*PINION SHAFT	1	
4	37074-63310	*BEARING	1	
5	02002-06001	*BEARING	1	
6	02430-12100	*SNAP RING	1	
7	02432-28120	*SNAP RING	1	
8	68120-61120	CASE COVER	1	
9	63840-61340	COVER	1	
10	63840-61350	BEVEL GEAR	1	
11	15401-11010	COLLAR	2	
12	01613-06100	WASHER	1	
13	20024-81790	CONE WASHER	1	
14	63840-61370	NUT	1	
15	02421-16150	PIN	1	
16	68120-61130	CAM GEAR	1	
17	15401-10025	COLLAR	2	
18	68120-61170	ROD	2	
19	68120-61331	PLATE	1	
20	68120-61340	PACKING	1	
21	68120-61351	GASKET	1	
22	20870-61640	GREASE NIPPLE	2	
23	01020-04100	BOLT	7	
24	63840-63310	GEARCASE UPPER	1	
25	63840-63320	BEVEL PINION	1	
26	02000-00609	BEARING	1	
27	02002-00609	BEARING	1	
28	22420-13350	SNAP RING	1	
29	02432-24120	SNAP RING	1	
30	02304-03150	O RING	1	
31	22000-13420	SHIM	1	
32	11023-05250	BOLT SW	1	
33	01020-05120	BOLT	3	
34	38121-62010	CUTTER ASSY.	1	
35	18501-50000	*GUIDE BAR	1	
36	18500-50102	*BLADE	2	
37	20870-62110	*BOLT	4	
38	20870-62131	*WASHER	4	
39	22011-97840	*LOCK NUT	3	
40	68120-62331	HOLDER	1	
41	11526-05212	FLANGE NUT	2	
42	22011-97840	LOCK NUT	1	
43	63840-66310	ADJUST PLATE	1	
44	63840-66320	LOCK LEVER	1	
45	63840-66330	SAFETY LEVER	1	
46	22106-71441	PIN RATCHET	2	
47	17520-18601	COIL SPRING	1	
48	63840-66350	HANDLE	1	
49	01215-06208	SCREW TRUSS	2	
50	19601-01506	BLADE COVER	1	



Ref. No	Part No.	Part Name	Q`ty	Remarks, Serial No.
10- 1	63002-62161	THROTTLE LEVER ASSY.	1	
2	63002-62320	*BODY RIGHT	1	
3	63002-62330	*BODY LEFT	1	
4	63002-62340	*LEVER	1	
5	63901-62352	*LOCK LEVER	1	
6	63002-62350	*HOLDER	1	
7	63880-65350	*COIL SPRING	1	
8	63901-62370	*COIL SPRING	1	
9	63002-62360	*SWITCH	1	
10	63880-65360	*SCREW TAPPING	3	
12	11206-05201	*SCREW PMSPW	1	
13	01501-05030	*NUT	1	
14	63880-65411	*PLUG	1	
15	63023-62170	THROTTLE CABLE	1	
16	01501-06041	NUT	2	
17	22422-14540	TUBE	1	
18	63901-62140	GRIP	1	

