

shindaiwa®

PARTS CATALOG

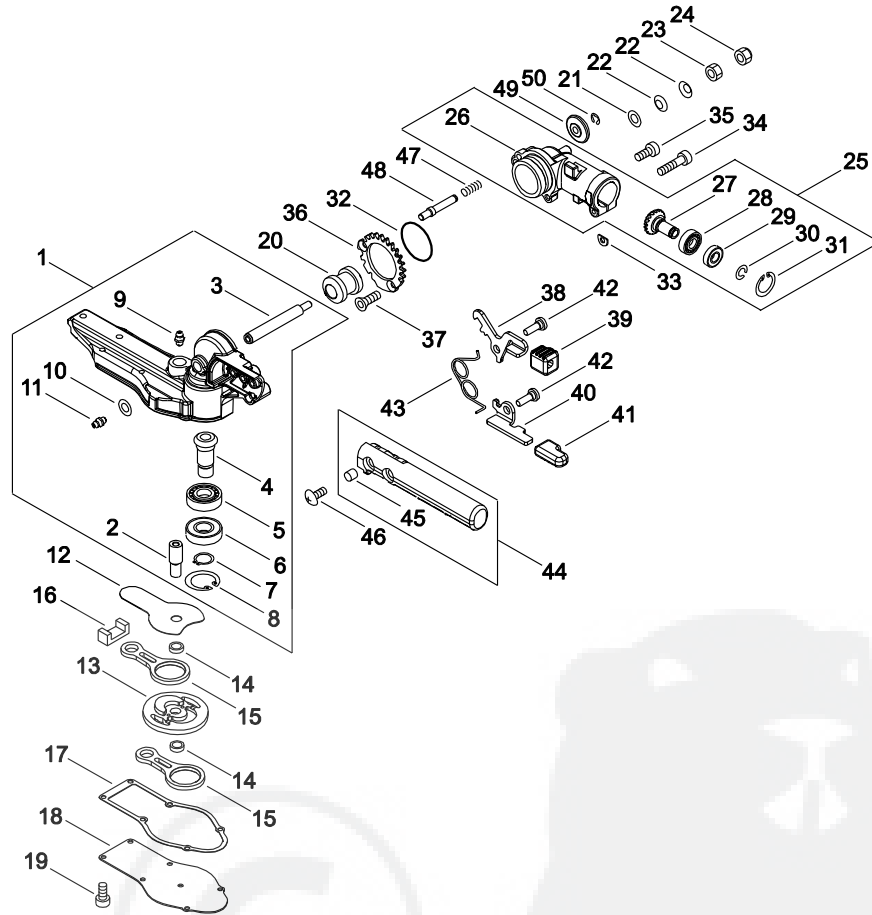
MULTI-TOOL SYSTEM SBA-AH2422-LW(35)

35000001 -

CE

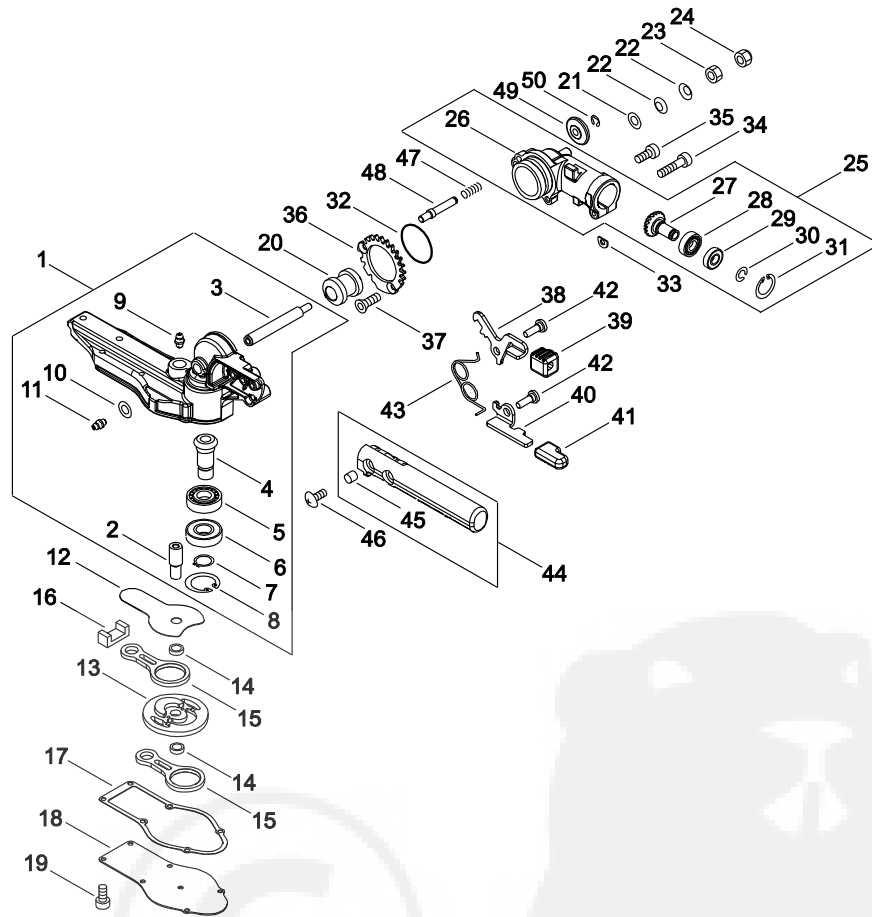
P016-002840-15I

1. GEAR CASE



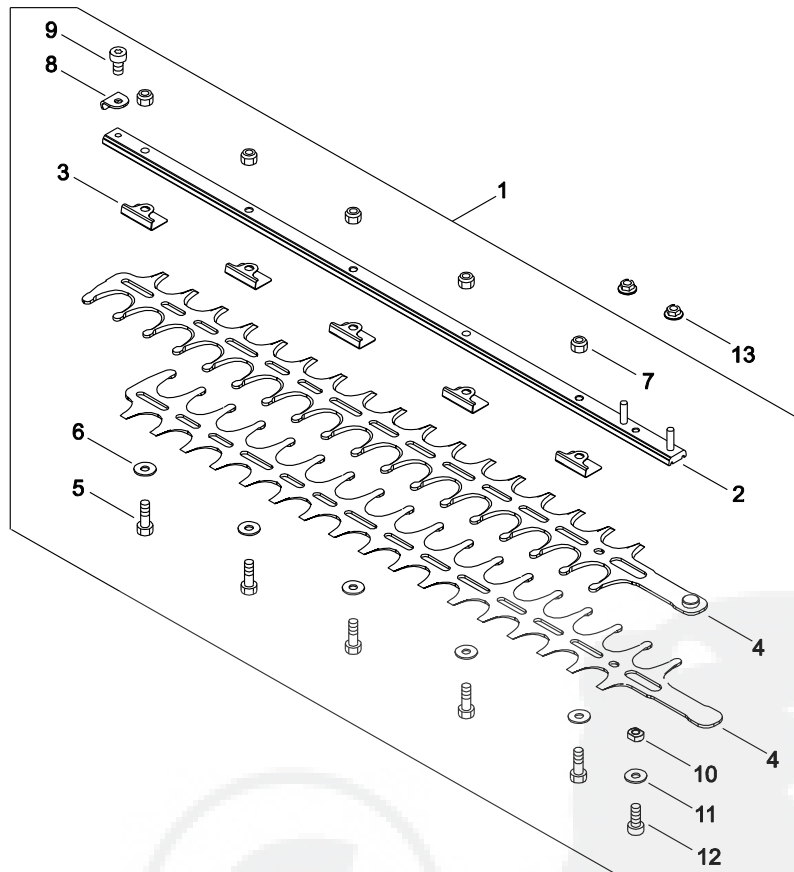
KEY	LV	PART NUMBER	Q'TY	DESCRIPTION	REMARKS	NOTE1	NOTE2
1		P021-047560	1	CASE ASY, GEAR			
2	+	C534-001060	1	SHAFT, GEAR			
3	+	C534-001010	1	SHAFT, GEAR	10 M6-M6		
4	+	V655-000090	1	SHAFT, PINION			
5	+	900800-36002	1	BEARING, BALL 6002	6002		
6	+	94004-36002	1	BEARING, BALL	BB6002ZZ/C3		
7	+	900701-00014	1	CIRCLIP 14	CS-14		
8	+	92424-32000	1	SNAP RING			
9	+	V187-000080	1	GREASE NIPPLE			
10	+	900603-00006	1	WASHER 6	6.5*13*1		
11	+	V187-000080	1	GREASE NIPPLE			
12		V150-003940	1	PLATE, EYE	T0.6		
13		V650-000660	1	GEAR, SPUR			
14		V356-000730	2	COLLAR, 10	9.5*13*L4		
15		C532-000360	2	ROD, CONNECTING			
16		V541-000570	1	SEAL			
17		V110-000180	1	GASKET, GEAR CASE			
18		C539-000130	1	LID, GEARCASE	T1.2		
19		V804-000110	7	BOLT, TORX 4	TB-4*10 12.9		
20		P021-047570	1	GEAR, BEVEL SET			
21		900603-00006	1	WASHER 6	6.5*13*1		
22		V347-000030	2	CONE WASHER			
23		900502-00006	1	NUT 6 (3N)	3N6		
24		900560-00006	1	NUT, LOCK	6		
25		P021-047810	1	CASE ASY, GEAR			

1. GEAR CASE



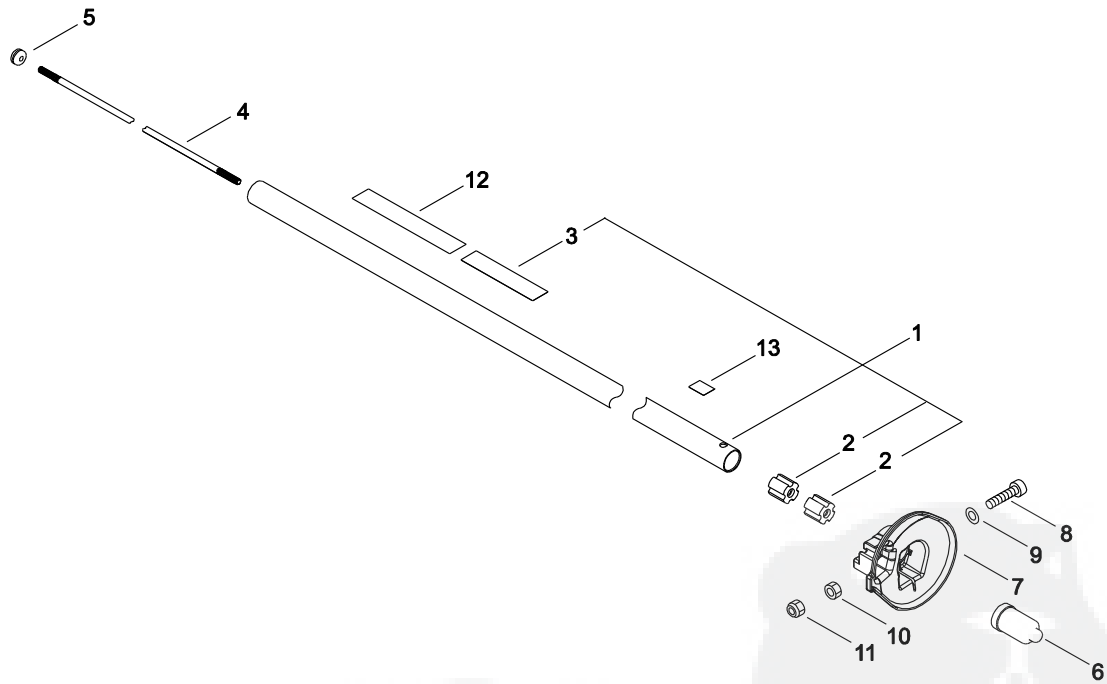
KEY	LV	PART NUMBER	Q'TY	DESCRIPTION	REMARKS	NOTE1	NOTE2
26	+	C531-001080	1	CASE,GEAR			
27	+	V000-000090	1	BEVEL PINION			
28	+	900800-00609	1	BEARING, BALL 609	609		
29	+	900804-00609	1	BEARING, BALL 609	609ZZ		
30	+	900706-00009	1	CIRCLIP 9	WR-9		
31	+	92424-24000	1	SNAP RING			
32		900724-00035	1	O-RING 35			
33		V340-000300	1	SHIM			
34		V805-000170	1	BOLT, TORX 5	TB-5*25 10.9		
35		V805-000130	1	BOLT, TORX 5	TB-5*10 10.9		
36		C465-000030	1	RESETTER, LATCH			
37		900175-05012	2	BOLT, H.S.H	5*12		
38		C661-000150	1	LEVER, RELEASE	T3.2		
39		V494-000880	1	CAP			
40		C661-000080	1	SAFTY LEVER			
41		V494-000890	1	CAP			
42		V204-000580	2	PIN RATCHET			
43		V452-000710	1	COIL SPRING			
44		C403-000480	1	HANDLE			
45	+	V354-000320	2	COLLAR			
46		91463-06020	2	SCREW TRUSS			
47		V450-001930	1	SPRING,COMPRESSION			
48		C226-000070	1	PIN,CONTROL			
49		M613-000250	1	KNOB			
50		900700-00005	1	E-RING 5	CE-5		

2. CUTTER



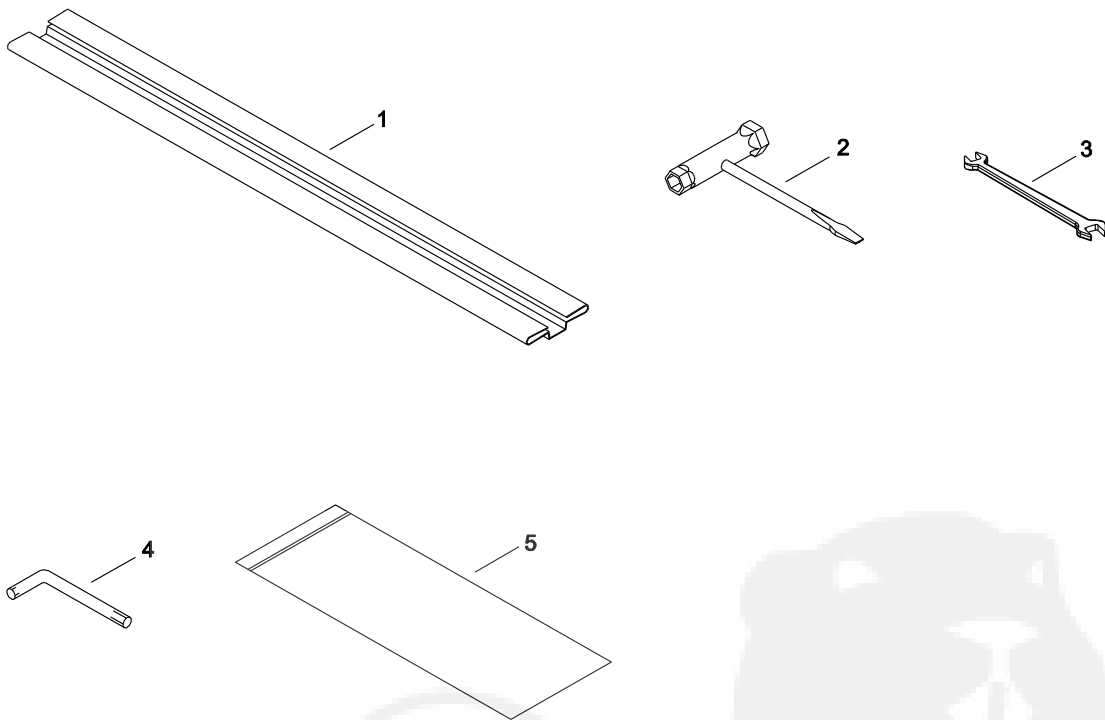
KEY	LV	PART NUMBER	Q'TY	DESCRIPTION	REMARKS	NOTE1	NOTE2
1		X041-000510	1	CUTTER,ASM			
2	+	X425-000920	1	SUPPORT,CUTTER	600MM		
3	+	X425-000930	5	SUPPORT,CUTTER	T0.5		
4	+	X411-001320	2	CUTTER	600MM T2.0		
5	+	V204-000570	5	BOLT			
6	+	V304-000240	5	WASHER			
7	+	433022-06460	5	NUT			
8	+	J447-001050	1	GUARD	T1.6		
9	+	V805-000120	1	BOLT, TORX 5	TB-5*8 10.9		
10	+	V376-002130	1	SPACER			
11	+	V304-000240	1	WASHER			
12	+	V805-000250	1	BOLT, TORX 5	TB-5*16 12.9		
13		V263-000330	2	FLANGE NUT			

3. DRIVE SHAFT



KEY	LV	PART NUMBER	Q'TY	DESCRIPTION	REMARKS	NOTE1	NOTE2
1		P021-050310	1	MAIN PIPE ASY			
2	+	C501-000010	2	BUSH			
3	+	X505-003420	1	LABEL CAUTION			
4		C504-000880	1	MAIN SHAFT			
5		V145-000210	1	GROMMET			
6		C525-000050	1	CAP, MAIN PIPE			
7		C440-000110	1	GUARD, HAND			
8		V805-000060	1	BOLT, TORX 5	TB-5*35 10.9		
9		900603-00005	1	WASHER 5	5.5*12*0.8		
10		900500-00005	1	NUT 5	5		
11		900562-00005	1	NUT, LOCK	5		
12		X504-002780	1	LABEL TRADE			
13		X505-003460	1	LABEL INST			

4. ACCESSORIES



KEY	LV	PART NUMBER	Q'TY	DESCRIPTION	REMARKS	NOTE1	NOTE2
1		X495-000600	1	SCABBARD, BLADE	L=540		
2		X602-000190	1	PLUG WRENCH			
3		X600-000020	1	SPANNER			
4		X605-000170	1	TOOL, L WRENCH			
5		X705-000130	1	POLY BAG			

Index

Patrs Number	Key No.	Patrs Number	Key No.	Patrs Number	Key No.
433022-06460	2 - 7	V304-000240	2 - 6		
900175-05012	1 - 37	V304-000240	2 - 11		
900500-00005	3 - 10	V340-000300	1 - 33		
900502-00006	1 - 23	V347-000030	1 - 22		
900560-00006	1 - 24	V354-000320	1 - 45		
900562-00005	3 - 11	V356-000730	1 - 14		
900603-00005	3 - 9	V376-002130	2 - 10		
900603-00006	1 - 10	V450-001930	1 - 47		
900603-00006	1 - 21	V452-000710	1 - 43		
900700-00005	1 - 50	V494-000880	1 - 39		
900701-00014	1 - 7	V494-000890	1 - 41		
900706-00009	1 - 30	V541-000570	1 - 16		
900724-00035	1 - 32	V650-000660	1 - 13		
900800-00609	1 - 28	V655-000090	1 - 4		
900800-36002	1 - 5	V804-000110	1 - 19		
900804-00609	1 - 29	V805-000060	3 - 8		
91463-06020	1 - 46	V805-000120	2 - 9		
92424-24000	1 - 31	V805-000130	1 - 35		
92424-32000	1 - 8	V805-000170	1 - 34		
94004-36002	1 - 6	V805-000250	2 - 12		
C226-000070	1 - 48	X041-000510	2 - 1		
C403-000480	1 - 44	X411-001320	2 - 4		
C440-000110	3 - 7	X425-000920	2 - 2		
C465-000030	1 - 36	X425-000930	2 - 3		
C501-000010	3 - 2	X495-000600	4 - 1		
C504-000880	3 - 4	X504-002780	3 - 12		
C525-000050	3 - 6	X505-003420	3 - 3		
C531-001080	1 - 26	X505-003460	3 - 13		
C532-000360	1 - 15	X600-000020	4 - 3		
C534-001010	1 - 3	X602-000190	4 - 2		
C534-001060	1 - 2	X605-000170	4 - 4		
C539-000130	1 - 18	X705-000130	4 - 5		
C661-000080	1 - 40				
C661-000150	1 - 38				
J447-001050	2 - 8				
M613-000250	1 - 49				
P021-047560	1 - 1				
P021-047570	1 - 20				
P021-047810	1 - 25				
P021-050310	3 - 1				
V000-000090	1 - 27				
V110-000180	1 - 17				
V145-000210	3 - 5				
V150-003940	1 - 12				
V187-000080	1 - 9				
V187-000080	1 - 11				
V204-000570	2 - 5				
V204-000580	1 - 42				
V263-000330	2 - 13				

YAMABIKO CORPORATION

7-2 SUEHIROCHO 1-CHOME, OHME, TOKYO 198-8760, JAPAN
PHONE: 81-428-32-6118. FAX: 81-428-32-6145.



-15I
No. 07-285