

shindaiwa[®]

PARTS CATALOG

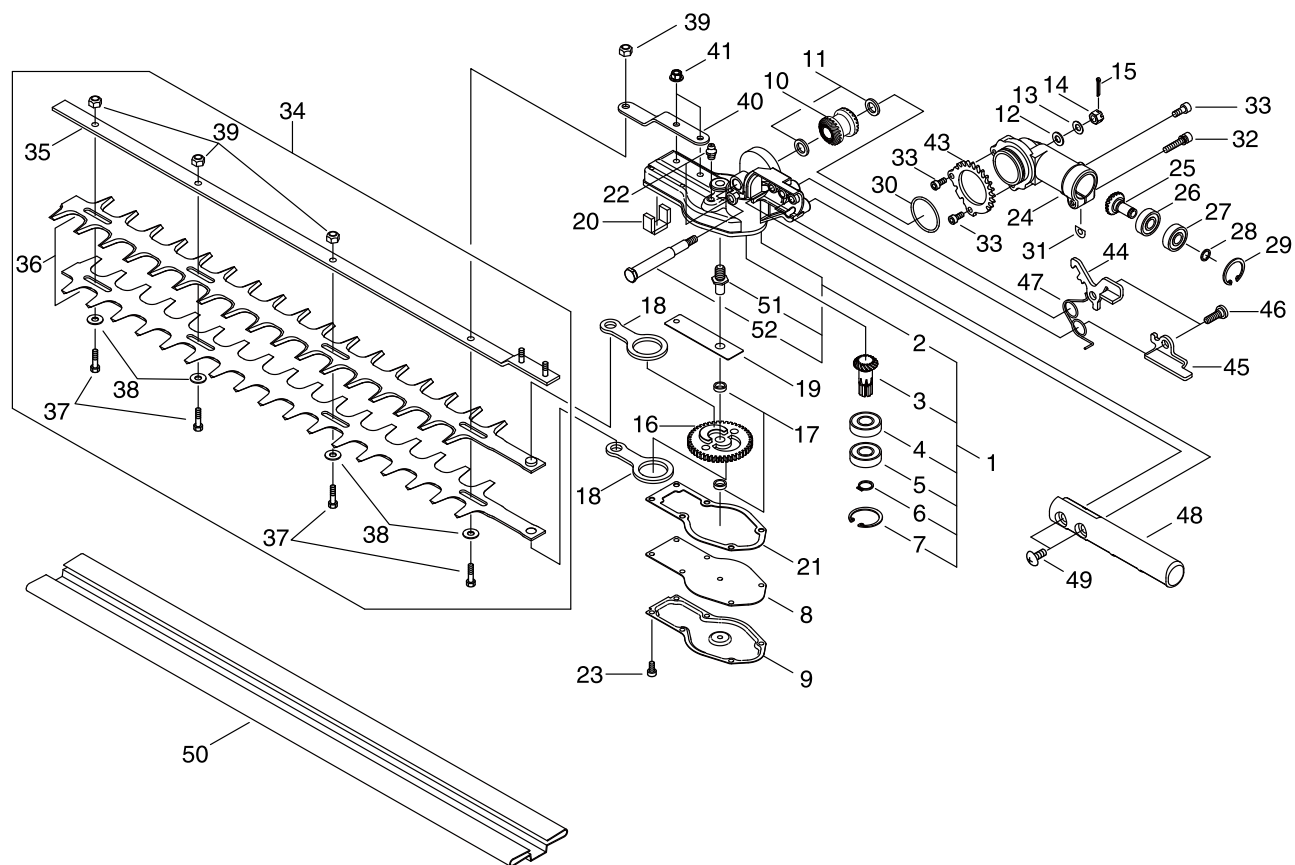
SPLITBOOM ATTACHMENT

SBA-AH2422/EU

CE

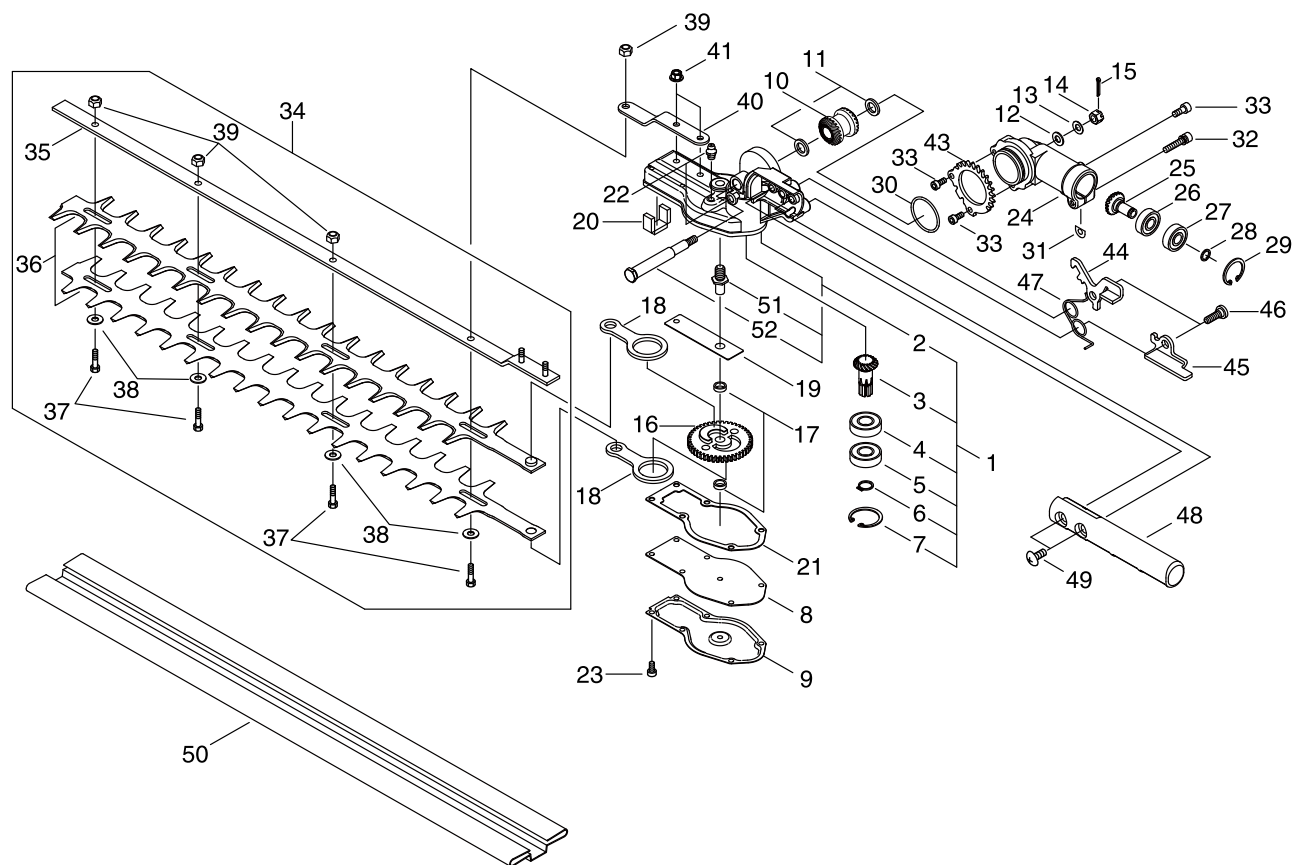
P016-001190-12Fb

SBA-AH2422/EU 1 GEAR CASE, CUTTER



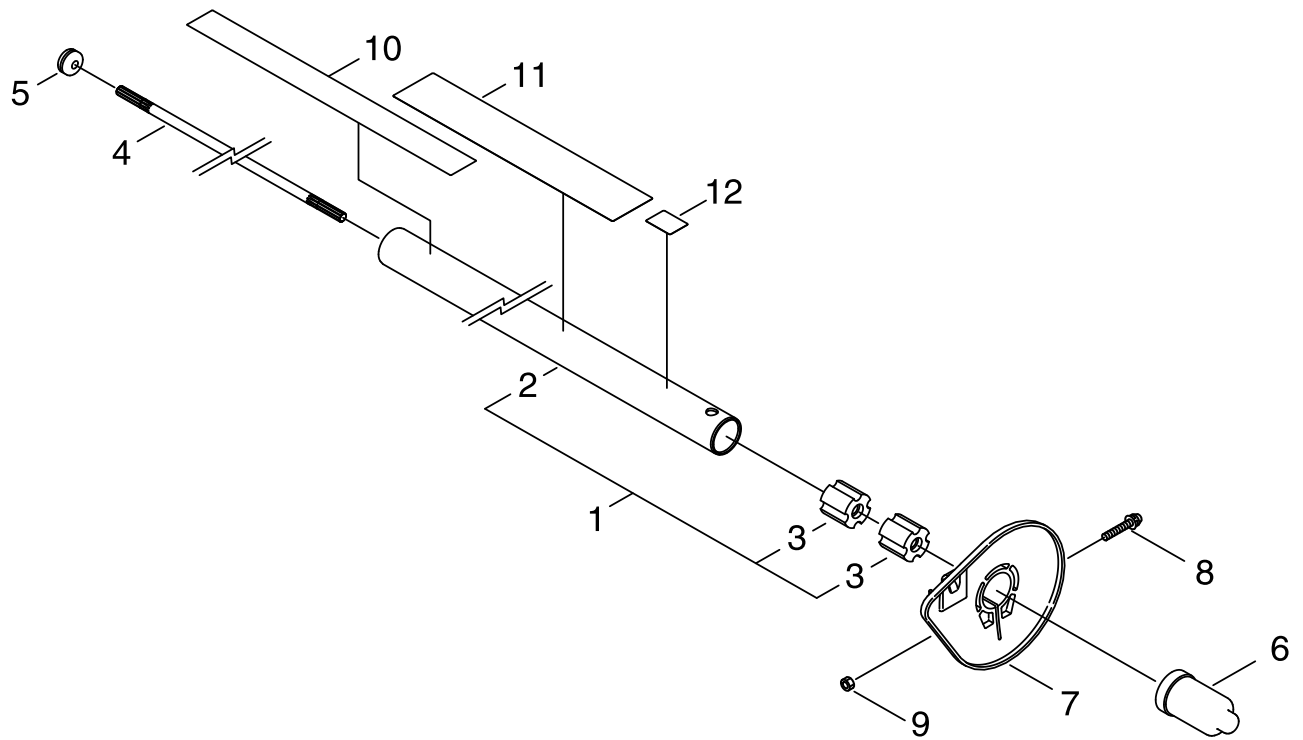
KEY	LV	PART NUMBER	Q'TY	DESCRIPTION	REMARKS
1		P021-028791	1	GEAR CASE COMP	
2	+	P021-028811	1	GEAR CASE	
51	++	C534-000660	1	MAIN SHAFT	
52	++	C534-000670	1	SHAFT	
3	+	V655-000060	1	PINION SHAFT	
4	+	900800-06001	1	BEARING, BALL 6001	
5	+	900804-06001	1	BEARING, BALL 6001ZZ	
6	+	92423-12000	1	SNAP RING	
7	+	92424-28000	1	SNAP RING	
8		C542-000040	1	CASE COVER	
9		C539-000081	1	LID,GEARCASE	
10		P021-034470	1	BEVEL GEAR SET	
11		V307-000250	2	WASHER,CIRCULAR 10	
12		900603-00006	1	WASHER 6	
13		V347-000030	1	CONE WASHER	
14		V264-000170	1	NUT	
15		93002-16150	1	PIN	
16		V650-000530	1	CAM GEAR	
17		V355-000440	2	COLLAR	
18		C532-000220	2	ROD	
19		V150-002460	1	PLATE	
20		V541-000220	1	PACKING	
21		V110-000140	1	GASKET	
22		V187-000080	2	GREASE NIPPLE	
23		900105-04010	7	BOLT, H.S. 4*10	
24		C531-000700	1	GEAR CASE UPPER	

SBA-AH2422/EU 1 GEAR CASE, CUTTER



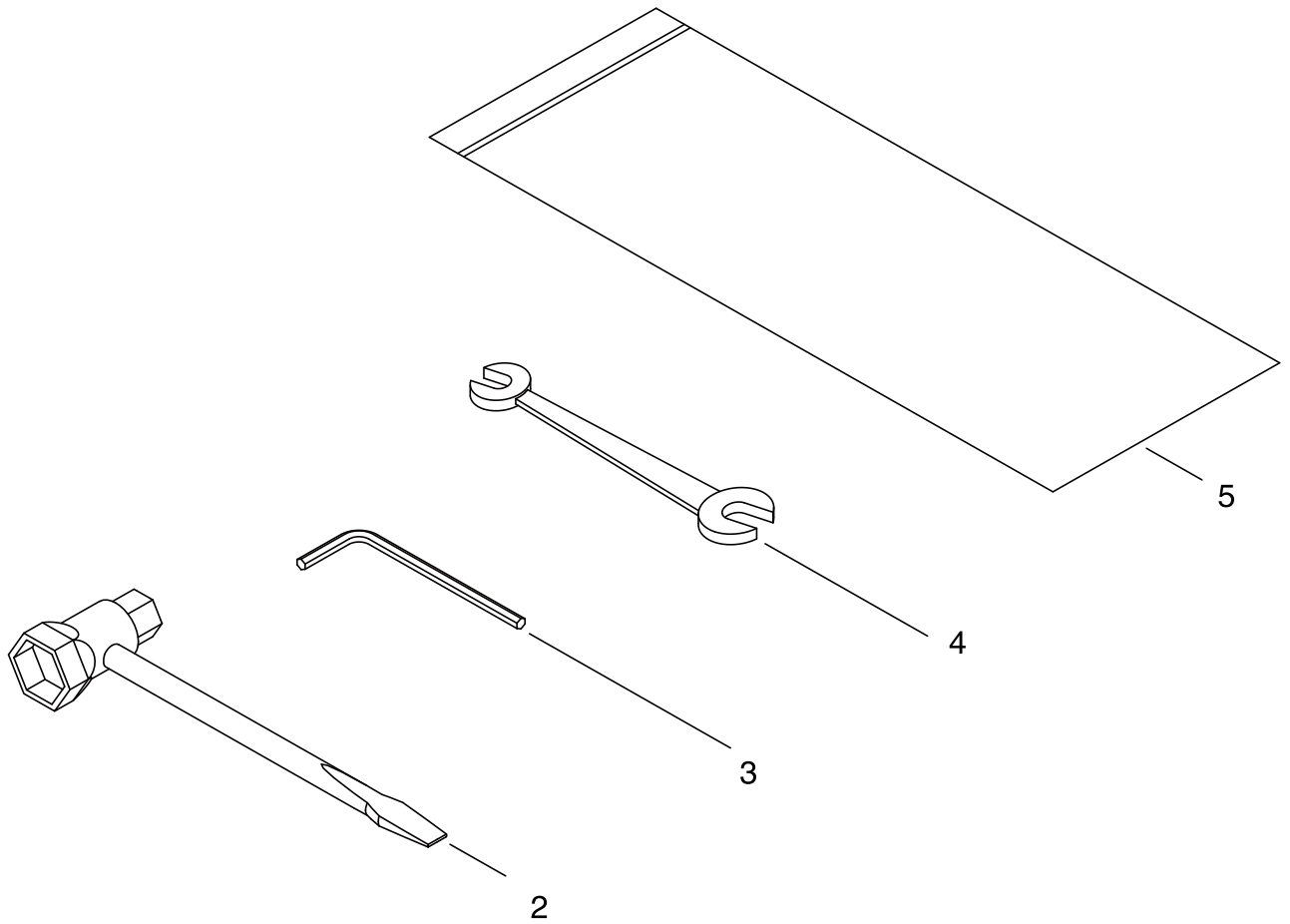
KEY	LV	PART NUMBER	Q'TY	DESCRIPTION	REMARKS
25		V000-000090	1	BEVEL PINION	
26		900800-00609	1	BEARING, BALL 609	
27		900804-00609	1	BEARING, BALL 609	
28		900706-00009	1	CIRCLIP 9	
29		92424-24000	1	SNAP RING	
30		92507-03150	1	O RING	
31		V340-000300	1	SHIM	
32		V203-000560	1	BOLT SW	
33		900105-05012	3	BOLT, H.S. 5*12	
34		X041-000301	1	CUTTER,ASM	
35	+	X425-000820	1	SUPPORT,CUTTER	
36	+	X411-001151	2	CUTTER	
37	+	V204-000570	4	BOLT	
38	+	V304-000240	4	WASHER	
39	+	433022-06460	3	NUT	
39		433022-06460	1	NUT	
40		V152-002390	1	HOLDER	
41		V263-000330	2	FLANGE NUT	
43		C465-000020	1	ADJUST PLATE	
44		C661-000070	1	LOCK LEVER	
45		C661-000080	1	SAFTY LEVER	
46		V204-000580	2	PIN RATCHET	
47		V452-000710	1	COIL SPRING	
48		C403-000480	1	HANDLE	
49		91463-06020	2	SCREW TRUSS	
50		X495-000410	1	BLADE COVER	

SBA-AH2422/EU 2 OUTER PIPE



KEY	LV	PART NUMBER	Q'TY	DESCRIPTION	REMARKS
1		C050-002020	1	OUTER PIPE COMP	
2	+	C500-000690	1	OUTER PIPE	
3	+	C501-000010	2	BUSH	
4		C504-000880	1	MAIN SHAFT	
5		V145-000210	1	GROMMET	
6		C525-000050	1	CAP,MAIN PIPE	
7		C440-000050	1	PROTECTOR	
8		91577-05030	1	SCREW PM SLPW	
9		900500-00005	1	NUT 5	
10		X504-002780	1	LABEL TRADE	
11		X505-003420	1	LABEL CAUTION	
12		X505-003460	1	LABEL INST	

SBA-AH2422/EU 3 TOOL



KEY	LV	PART NUMBER	Q'TY	DESCRIPTION	REMARKS
2		X602-000190	1	PLUG WRENCH	
3		X605-000100	1	TOOL,L WRENCH	
4		X600-000020	1	SPANNER	
5		X705-000130	1	POLY BAG	

Index

Patrs Number	Key No.	Patrs Number	Key No.	Patrs Number	Key No.
433022-06460	1 - 39	V307-000250	1 - 11		
433022-06460	1 - 39	V340-000300	1 - 31		
900105-04010	1 - 23	V347-000030	1 - 13		
900105-05012	1 - 33	V355-000440	1 - 17		
900500-00005	2 - 9	V452-000710	1 - 47		
900603-00006	1 - 12	V541-000220	1 - 20		
900706-00009	1 - 28	V650-000530	1 - 16		
900800-00609	1 - 26	V655-000060	1 - 3		
900800-06001	1 - 4	X041-000301	1 - 34		
900804-00609	1 - 27	X411-001151	1 - 36		
900804-06001	1 - 5	X425-000820	1 - 35		
91463-06020	1 - 49	X495-000410	1 - 50		
91577-05030	2 - 8	X504-002780	2 - 10		
92423-12000	1 - 6	X505-003420	2 - 11		
92424-24000	1 - 29	X505-003460	2 - 12		
92424-28000	1 - 7	X600-000020	3 - 4		
92507-03150	1 - 30	X602-000190	3 - 2		
93002-16150	1 - 15	X605-000100	3 - 3		
C050-002020	2 - 1	X705-000130	3 - 5		
C403-000480	1 - 48				
C440-000050	2 - 7				
C465-000020	1 - 43				
C500-000690	2 - 2				
C501-000010	2 - 3				
C504-000880	2 - 4				
C525-000050	2 - 6				
C531-000700	1 - 24				
C532-000220	1 - 18				
C534-000660	1 - 51				
C534-000670	1 - 52				
C539-000081	1 - 9				
C542-000040	1 - 8				
C661-000070	1 - 44				
C661-000080	1 - 45				
P021-028791	1 - 1				
P021-028811	1 - 2				
P021-034470	1 - 10				
V000-000090	1 - 25				
V110-000140	1 - 21				
V145-000210	2 - 5				
V150-002460	1 - 19				
V152-002390	1 - 40				
V187-000080	1 - 22				
V203-000560	1 - 32				
V204-000570	1 - 37				
V204-000580	1 - 46				
V263-000330	1 - 41				
V264-000170	1 - 14				
V304-000240	1 - 38				

YAMABIKO CORPORATION

7-2 SUEHIROCHO 1-CHOME, OHME, TOKYO 198-8760, JAPAN
PHONE: 81-428-32-6118. FAX: 81-428-32-6145.

shindaiwa[®]

12Fb
No. 444-098