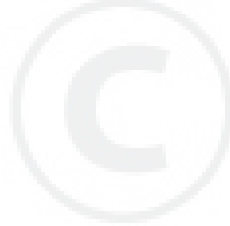


shindaiwa[®]

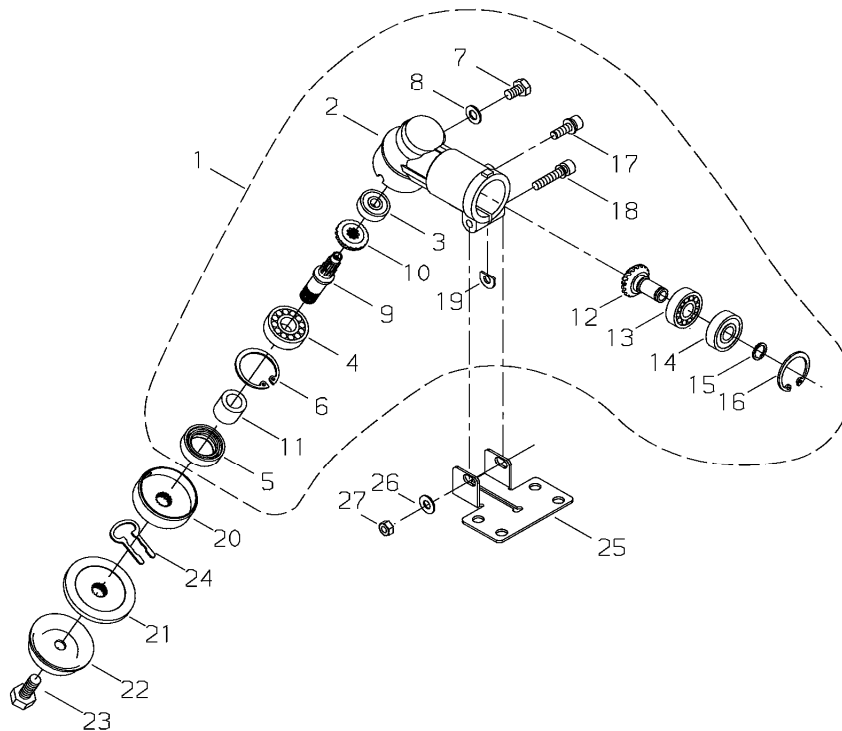
PARTS CATALOG

MULTI-TOOL SYSTEM SBA-TX24 EU



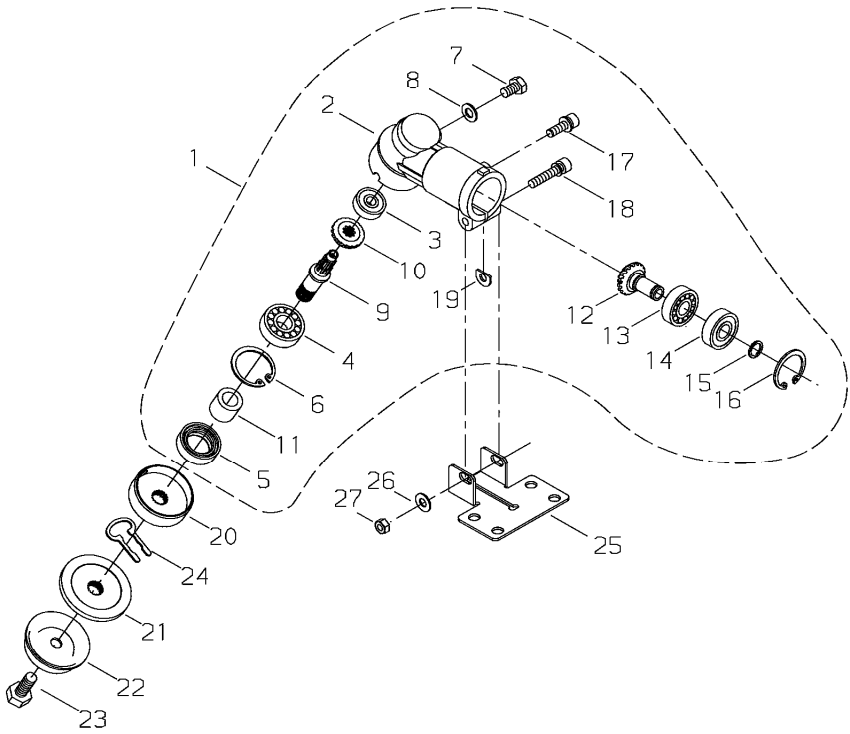
SBA-TX24 EU

1. GEAR CASE



| KEY | LV | PART NUMBER | Q'TY | DESCRIPTION | REMARKS | NOTE1 | NOTE2 |
|-----|----|-------------|------|--------------------|---------|---------|-------|
| 1 | | 22410-13011 | 1 | GEAR CASE SUB ASSY | | | |
| 2 | • | 22035-13113 | 1 | GEAR CASE | | | |
| 3 | • | 02006-00626 | 1 | BEARING | | 626DDU | |
| 4 | • | 02000-06000 | 1 | BEARING | | 6000 | |
| 5 | • | 22035-13140 | 1 | OIL SEAL | | | |
| 6 | • | 02432-26120 | 1 | SNAP RING | | φ26 | |
| 7 | • | 01014-06100 | 1 | BOLT | | M6x10 | |
| 8 | • | 22000-13410 | 1 | GASKET | | | |
| 9 | • | 22410-13210 | 1 | GEAR SHAFT | | | |
| 10 | • | 22035-13220 | 1 | BEVEL GEAR | | | |
| 11 | • | 22035-13230 | 1 | COLLAR | | | |
| 12 | • | 22035-13391 | 1 | PINION SET | | | |
| 13 | • | 02000-00608 | 1 | BEARING | | 608 | |
| 14 | • | 02002-00608 | 1 | BEARING | 608ZZ | 608ZZ | |
| 15 | • | 22035-13340 | 1 | SNAP RING | | | |
| 16 | • | 02432-22100 | 1 | SNAP RING | | φ22 | |
| 17 | • | 11022-05160 | 1 | BOLT SPW | | M5x16 | |
| 18 | • | 11023-05250 | 1 | BOLT SW | | M5x25 | |
| 19 | • | 22000-13420 | 1 | SHIM | | | |
| 20 | | 22035-13242 | 1 | HOLDER A | | | |
| 21 | | 6501163170 | 1 | HOLDER | | | |
| 22 | | 37013-63310 | 1 | BOLT GUARD | | | |
| 23 | | 22035-13271 | 1 | BOLT | | | |
| 24 | | 22410-13530 | 1 | SLIDE CLIP | | | |
| 25 | | 72480-16130 | 1 | LOWER CLAMP | | | |
| 26 | | 01613-05080 | 1 | WASHER | | MFZN3-C | |

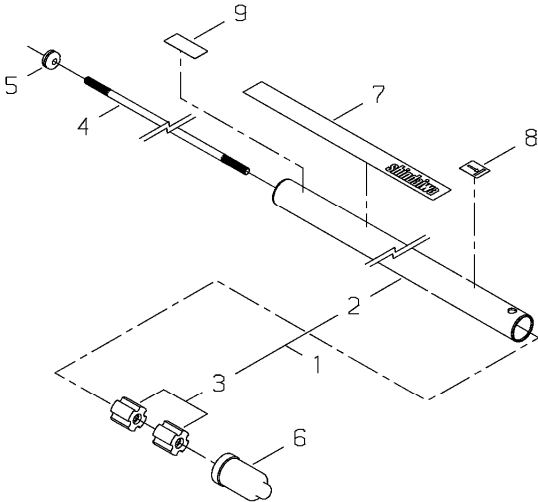
1. GEAR CASE



| KEY | LV | PART NUMBER | Q'TY | DESCRIPTION | REMARKS | NOTE1 | NOTE2 |
|-----|----|-------------|------|-------------|---------|------------|-------|
| 27 | | 01500-05041 | 1 | NUT | M5 | M5 MFZN3-C | |

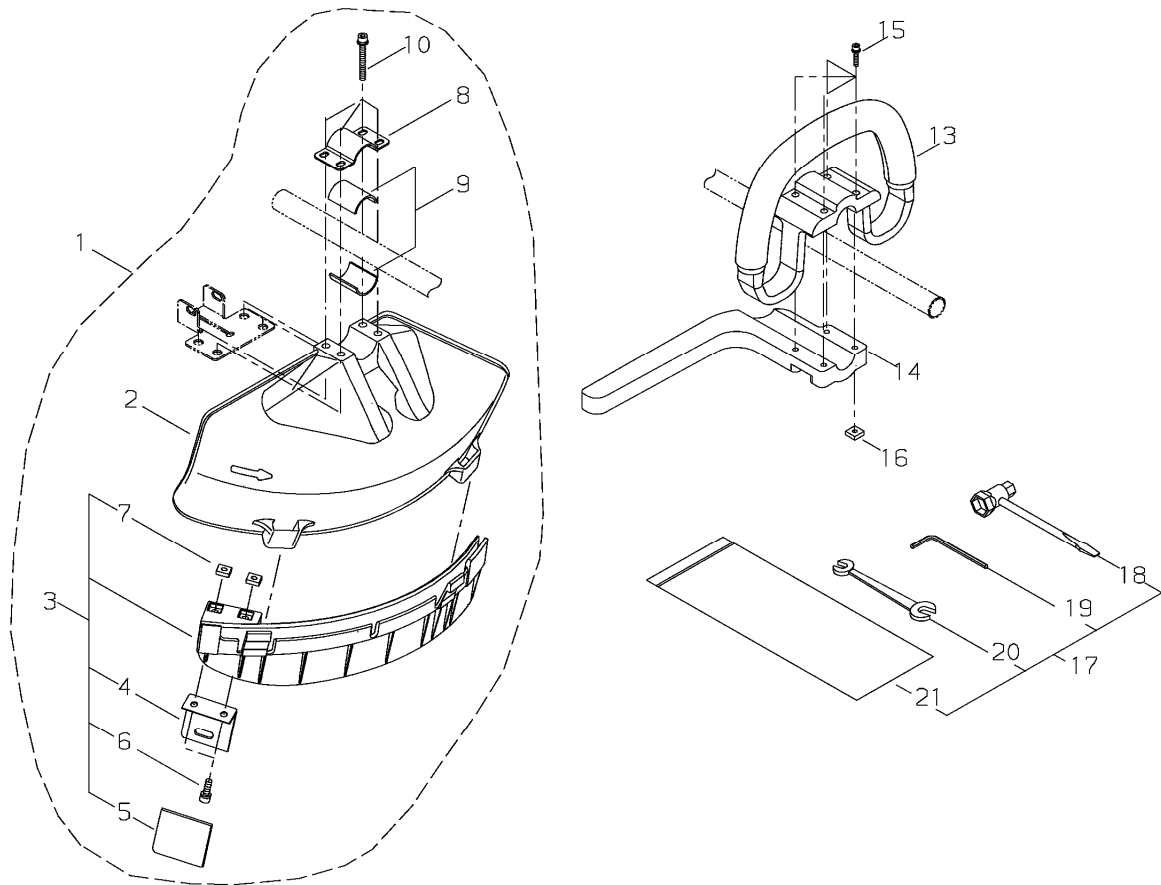


2. OUTER PIPE



| KEY | LV | PART NUMBER | Q'TY | DESCRIPTION | REMARKS | NOTE1 | NOTE2 |
|-----|----|-------------|------|-----------------|---------|----------|-------|
| 1 | | 65001-62010 | 1 | OUTER PIPE COMP | | | |
| 2 | ▪ | 65001-62110 | 1 | OUTER PIPE | | φ24xL745 | |
| 3 | ▪ | 22035-12121 | 2 | BUSH | | | |
| 4 | | 37000-62210 | 1 | MAIN SHAFT | | φ6xL767 | |
| 5 | | 15250-10100 | 1 | GROMMET | | | |
| 6 | | 20891-98180 | 1 | LINER CAP | | | |
| 7 | | 19422-00010 | 1 | LABEL CAUTION | | | |
| 8 | | 19401-00169 | 1 | LABEL INST | | | |
| 9 | | 19402-00223 | 1 | LABEL CAUTION | | | |

3. GUARD, HANDLE, TOOL



| KEY | LV | PART NUMBER | Q'TY | DESCRIPTION | REMARKS | NOTE1 | NOTE2 |
|-----|----|-------------|------|----------------|---------------|-----------|-------|
| 1 | | 62903-66322 | 1 | GUARD SET | | | |
| 2 | ▪ | 62903-66111 | 1 | GUARD | | | |
| 3 | ▪ | 62903-66332 | 1 | SUB GUARD ASSY | | | |
| 4 | ▪▪ | 72480-16121 | 1 | CUTTER | | | |
| 6 | ▪▪ | 11020-05160 | 2 | BOLT SW | | | |
| 7 | ▪▪ | 22420-16120 | 2 | NUT | | | |
| 8 | ▪ | 72480-16210 | 1 | UPPER CLAMP | | | |
| 9 | ▪ | 72480-16220 | 2 | SPACER | | | |
| 10 | ▪ | 11022-05450 | 4 | BOLT SPW | | M5x45 SPW | |
| 13 | | 62901-64113 | 1 | HANDLE | | | |
| 14 | | 65011-64120 | 1 | BARRIER | | | |
| 15 | | 11022-05350 | 4 | BOLT SPW | | M5x35 | |
| 16 | | 22420-16120 | 4 | NUT | | M5 | |
| 17 | | 22410-91000 | 1 | TOOL SET | | | |
| 18 | ▪ | 22000-91181 | 1 | PLUG WRENCH | | 13x19 | |
| 19 | ▪ | 09026-04001 | 1 | HEXA WRENCH | 4MM M5㉿ | 4mm | |
| 20 | ▪ | 22000-91120 | 1 | SPANNER | | 8x10 | |
| 21 | ▪ | 19639-01400 | 1 | BAG,PACKING | 140*200*T0.08 | | |

Index

| Patrs Number | Key No. | Patrs Number | Key No. | Patrs Number | Key No. |
|---------------------|----------------|---------------------|----------------|---------------------|----------------|
| 01014-06100 | 1 - 7 | 65011-64120 | 3 - 14 | | |
| 01500-05041 | 1 - 27 | 72480-16121 | 3 - 4 | | |
| 01613-05080 | 1 - 26 | 72480-16130 | 1 - 25 | | |
| 02000-00608 | 1 - 13 | 72480-16210 | 3 - 8 | | |
| 02000-06000 | 1 - 4 | 72480-16220 | 3 - 9 | | |
| 02002-00608 | 1 - 14 | | | | |
| 02006-00626 | 1 - 3 | | | | |
| 02432-22100 | 1 - 16 | | | | |
| 02432-26120 | 1 - 6 | | | | |
| 09026-04001 | 3 - 19 | | | | |
| 11020-05160 | 3 - 6 | | | | |
| 11022-05160 | 1 - 17 | | | | |
| 11022-05350 | 3 - 15 | | | | |
| 11022-05450 | 3 - 10 | | | | |
| 11023-05250 | 1 - 18 | | | | |
| 15250-10100 | 2 - 5 | | | | |
| 19401-00169 | 2 - 8 | | | | |
| 19402-00223 | 2 - 9 | | | | |
| 19422-00010 | 2 - 7 | | | | |
| 19639-01400 | 3 - 21 | | | | |
| 20891-98180 | 2 - 6 | | | | |
| 22000-13410 | 1 - 8 | | | | |
| 22000-13420 | 1 - 19 | | | | |
| 22000-91120 | 3 - 20 | | | | |
| 22000-91181 | 3 - 18 | | | | |
| 22035-12121 | 2 - 3 | | | | |
| 22035-13113 | 1 - 2 | | | | |
| 22035-13140 | 1 - 5 | | | | |
| 22035-13220 | 1 - 10 | | | | |
| 22035-13230 | 1 - 11 | | | | |
| 22035-13242 | 1 - 20 | | | | |
| 22035-13271 | 1 - 23 | | | | |
| 22035-13340 | 1 - 15 | | | | |
| 22035-13391 | 1 - 12 | | | | |
| 22410-13011 | 1 - 1 | | | | |
| 22410-13210 | 1 - 9 | | | | |
| 22410-13530 | 1 - 24 | | | | |
| 22410-91000 | 3 - 17 | | | | |
| 22420-16120 | 3 - 7 | | | | |
| 22420-16120 | 3 - 16 | | | | |
| 37000-62210 | 2 - 4 | | | | |
| 37013-63310 | 1 - 22 | | | | |
| 62901-64113 | 3 - 13 | | | | |
| 62903-66111 | 3 - 2 | | | | |
| 62903-66322 | 3 - 1 | | | | |
| 62903-66332 | 3 - 3 | | | | |
| 65001-62010 | 2 - 1 | | | | |
| 65001-62110 | 2 - 2 | | | | |
| 6501163170 | 1 - 21 | | | | |

YAMABIKO CORPORATION

7-2 SUEHIROCHO 1-CHOME, OHME, TOKYO 198-8760, JAPAN
PHONE: 81-428-32-6118. FAX: 81-428-32-6145.

shindaiwa[®]



4 EU
No.