

shindaiwa®

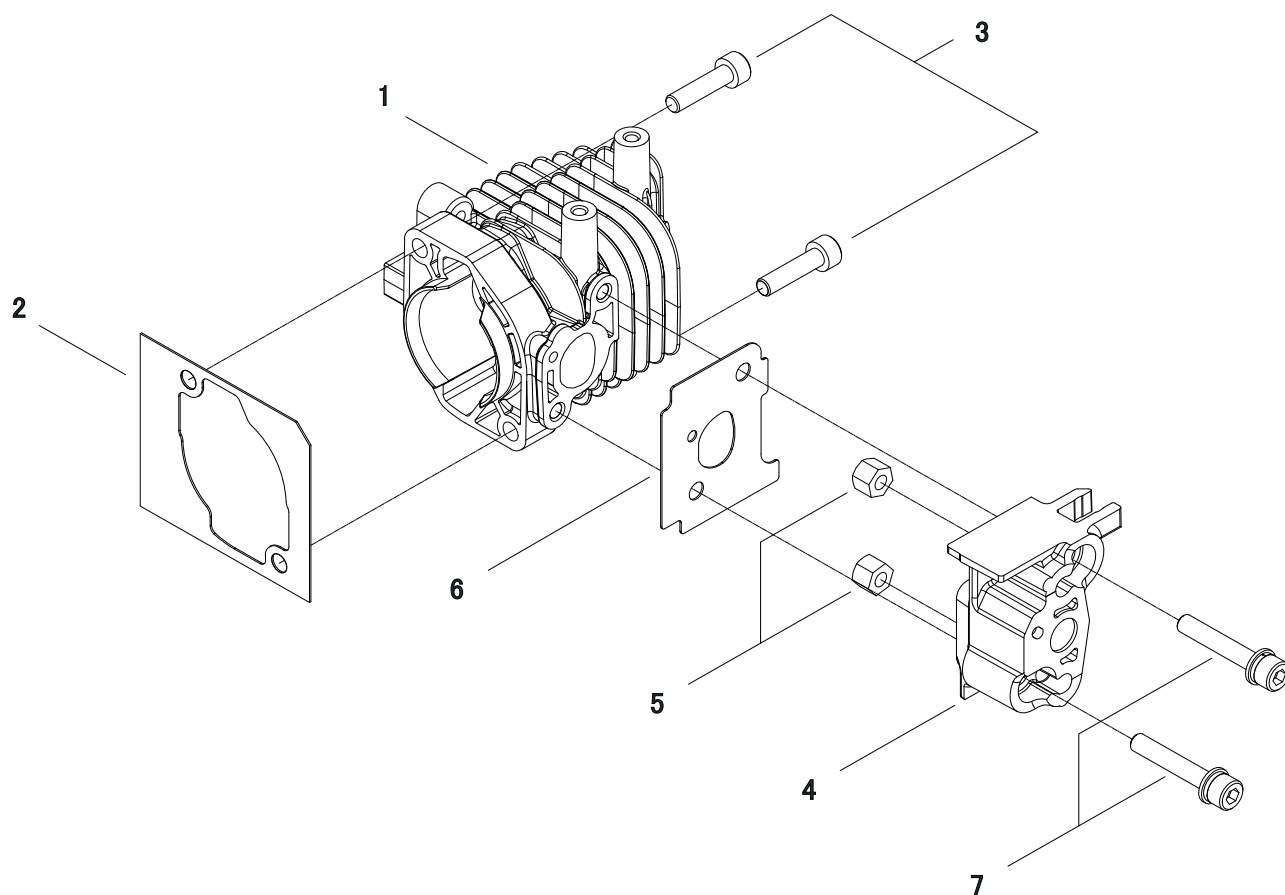
PARTS CATALOG

HEDGE TRIMMER DH2200ST(36)

36000001 -

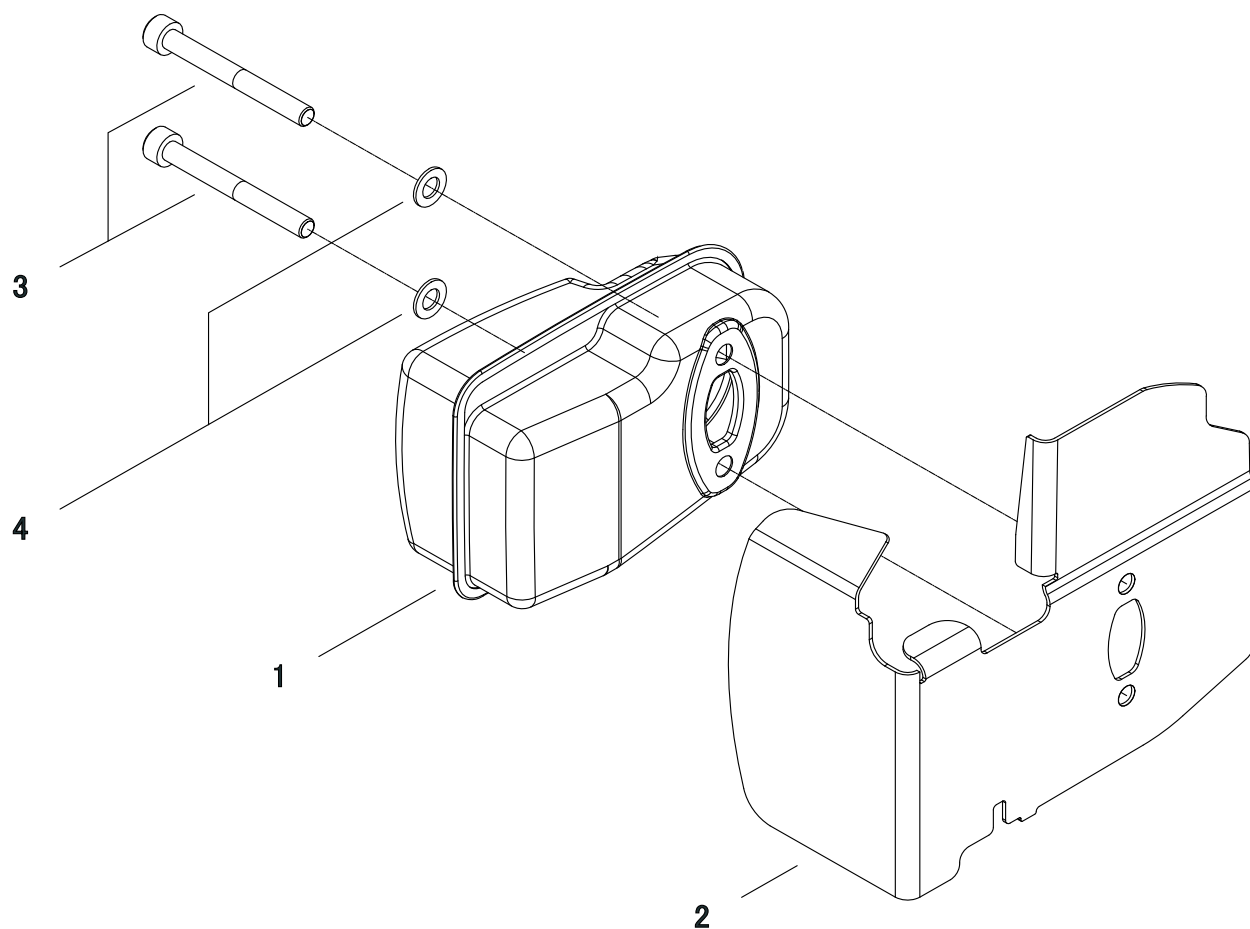
P016-000280-11Db

1. CYLINDER



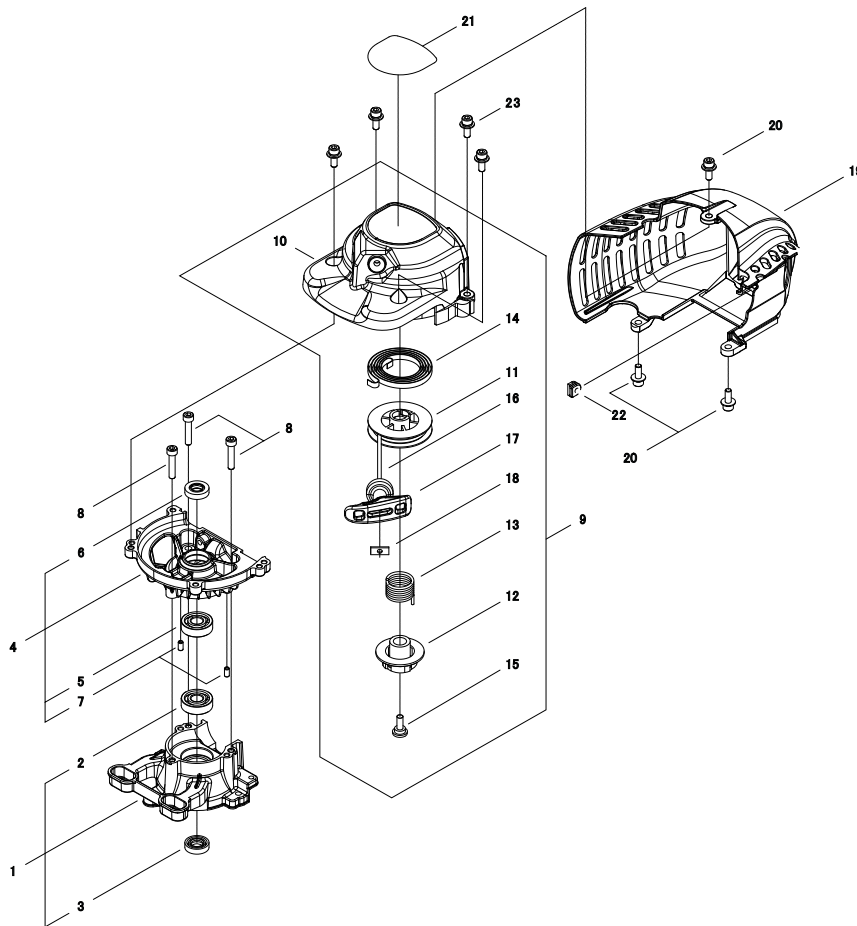
KEY	LV	PART NUMBER	Q'TY	DESCRIPTION	REMARKS	NOTE1	NOTE2
1		A130-001141	1	CYLINDER			
2		V100-000350	1	GASKET			
3		900105-05020	2	BOLT, H.S. 5*20	5*20		
4		A200-000760	1	INSULATOR			
5		V263-000260	2	NUT,5			
6		V103-001150	1	GASKET			
7		V203-000580	2	BOLT,5			

2. MUFFLER



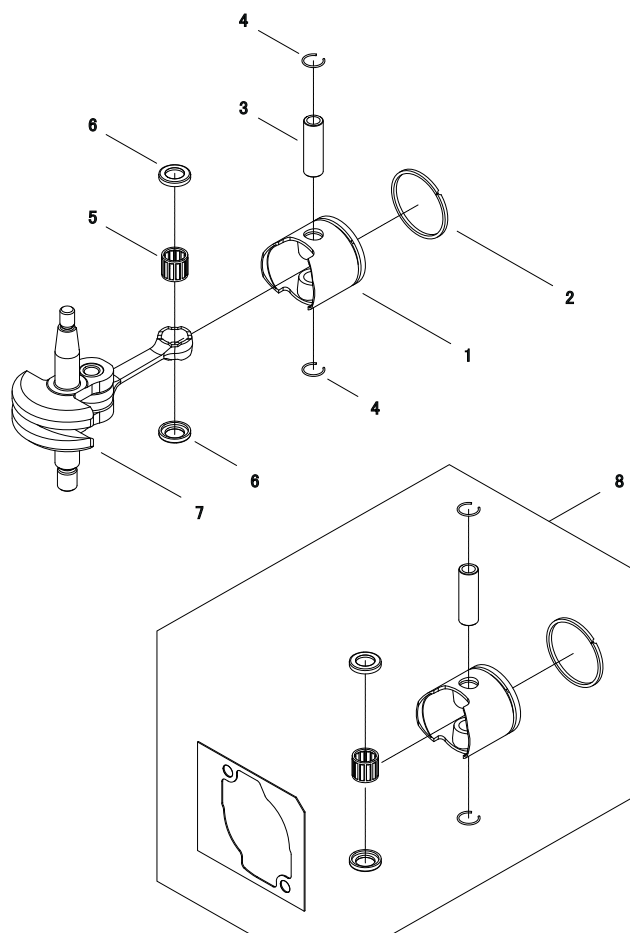
KEY	LV	PART NUMBER	Q'TY	DESCRIPTION	REMARKS	NOTE1	NOTE2
1		A300-000870	1	MUFFLER			
2		V104-001440	1	GASKET			
3		900105-05045	2	BOLT,H.S. 5*45	5*45		
4		900600-00005	2	WASHER 5	5		

3. CRANKCASE, FANCOVER



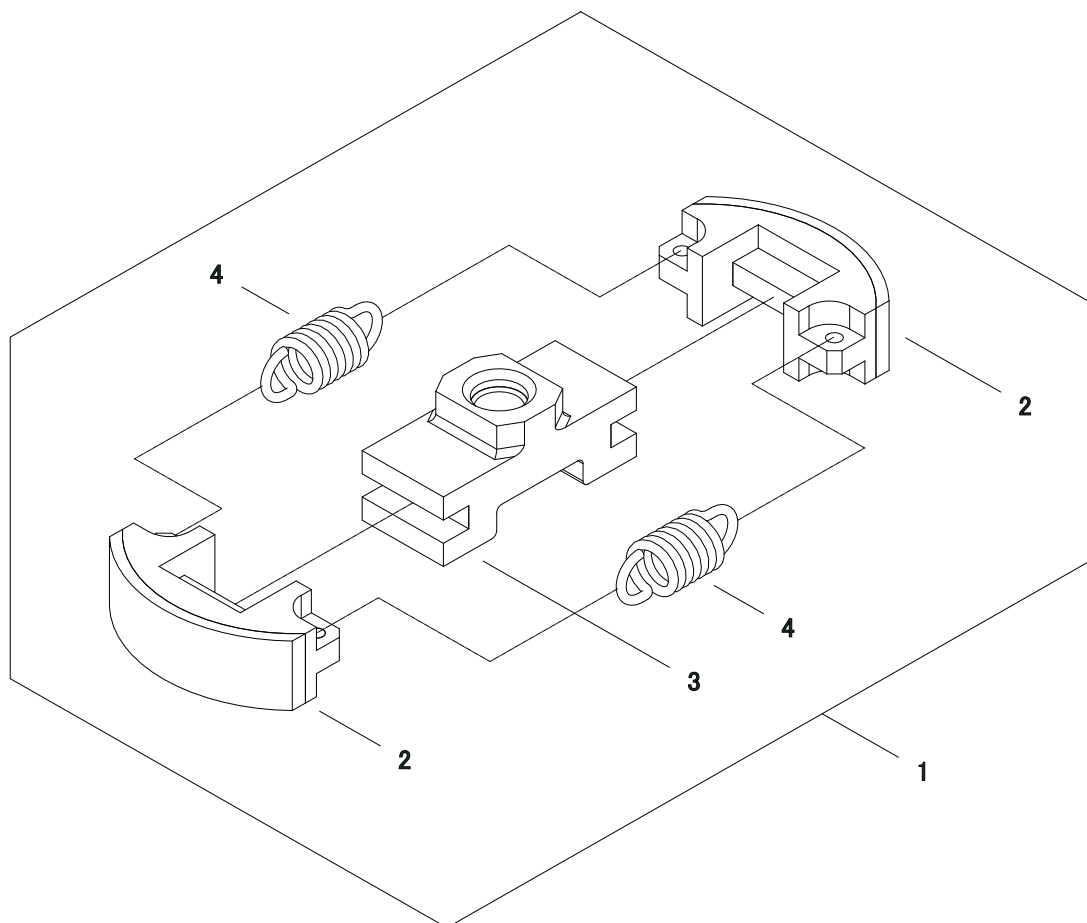
KEY	LV	PART NUMBER	Q'TY	DESCRIPTION	REMARKS	NOTE1	NOTE2
1		P021-034200	1	CRANKCASE,C-C			
2	+	V592-000300	1	BEARING, BALL	6000X12JRC3		
3	+	V503-000010	1	SEAL,OIL			
4		P021-033830	1	CRANKCASE, M-C			
5	+	V592-000300	1	BEARING, BALL	6000X12JRC3		
6	+	V503-000010	1	SEAL,OIL			
7	+	V622-000040	2	ROLLER			
8		900105-05025	3	BOLT, H.S. 5*25	5*25		
9		A051-001820	1	FAN COVER ASSY			
10	+	A500-001000	1	FAN COVER			
11	+	A506-000320	1	REEL			
12	+	C533-000140	1	CAM			
13	+	V452-000640	1	SPRING,TORSION			
14	+	A504-000100	1	RECOIL SPRING			
15	+	V253-000310	1	SCREW			
16	+	A509-000110	1	ROPE			
17	+	A511-000140	1	NOB			
18	+	A522-000040	1	STOPPER			
19		A160-001771	1	COVER,CYLINDER			
20		V203-001020	3	BOLT,5			
21		X504-006440	1	LABEL,BRAND			
22		V136-000060	1	GROMMET			
23		V203-001020	4	BOLT,5			

4. PISTON



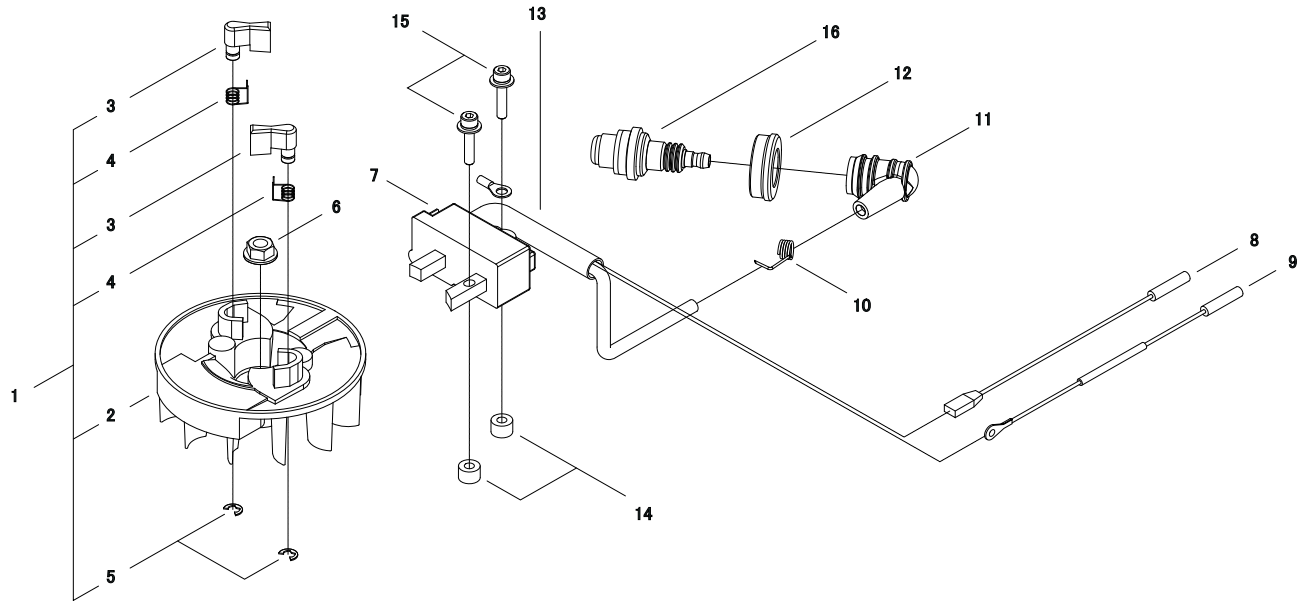
KEY	LV	PART NUMBER	Q'TY	DESCRIPTION	REMARKS	NOTE1	NOTE2
8		P021-034210	1	PISTON KIT			
1	+	A100-000900	1	PISTON			
2	+	A101-000230	1	RING,PISTON			
3	+	V606-000040	1	PIN,ENG			
4	+	V580-000070	2	RING,END			
5	+	V553-000090	1	BEARING,NEEDLE			
6	+	V306-000250	2	WASHER,CIRCULAR 8			
7		A011-000600	1	CRANKSHAFT			

5. CLUTCH



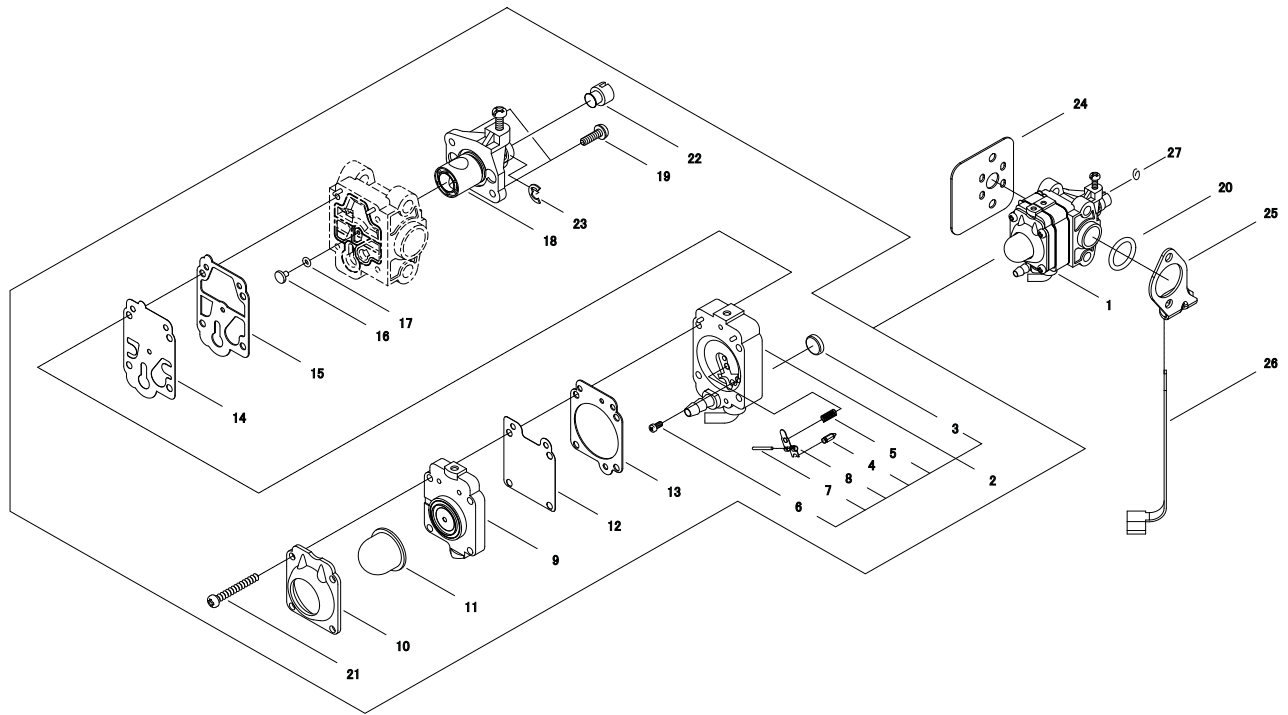
KEY	LV	PART NUMBER	Q'TY	DESCRIPTION	REMARKS	NOTE1	NOTE2
1		A056-000250	1	CLUCH			
2	+	A555-000140	2	SHOE,CLUTCH			
3	+	A552-000140	1	HUB,CLUTCH			
4	+	A566-000190	2	SPRING,CLUTCH			

6. MAGNETO



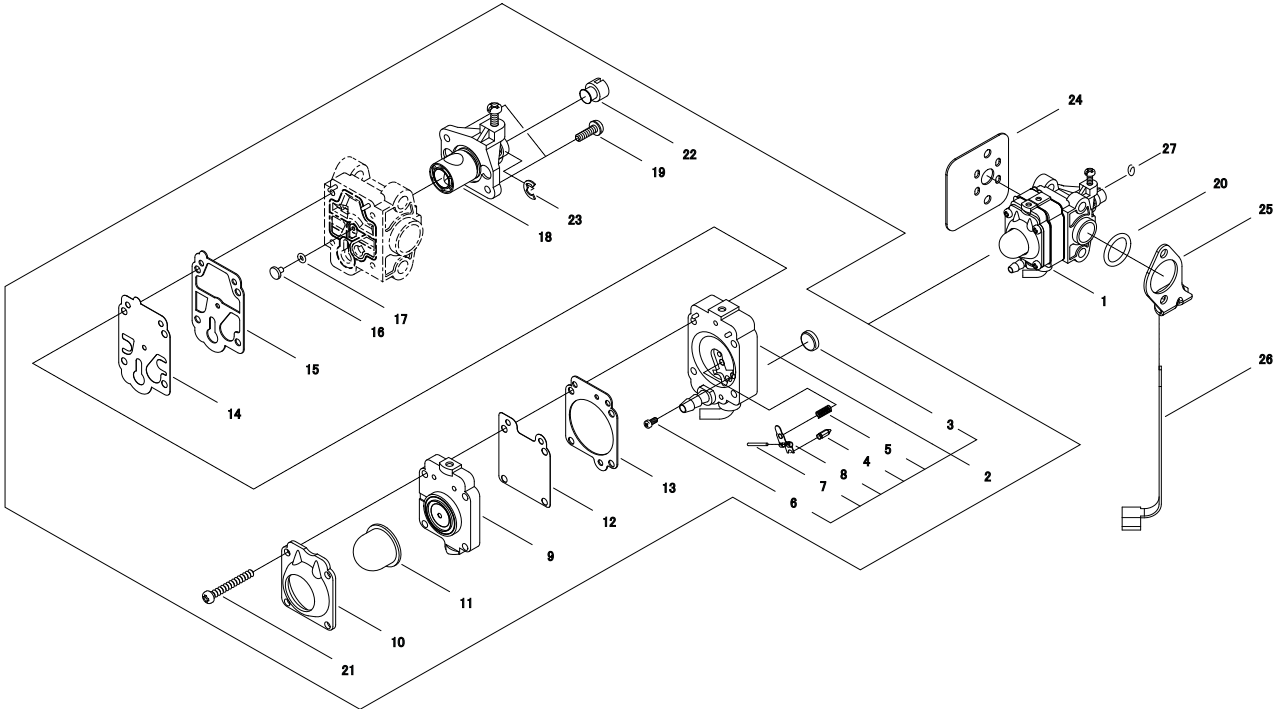
KEY	LV	PART NUMBER	Q'TY	DESCRIPTION	REMARKS	NOTE1	NOTE2
1		A409-000690	1	ROTOR, MAGNETO			
2	+	A409-000700	1	ROTOR			
3	+	A514-000090	2	PAWL, STARTER			
4	+	V452-000630	2	SPRING, TORSION			
5	+	V583-000140	2	RING			
6		V265-000150	1	NUT, 8			
7		A411-000840	1	COIL			
8		V485-002270	1	LEAD			
9		V485-002280	1	LEAD			
10		A426-000010	1	TERMINAL, SPARK PLUG			
11		A427-000013	1	CAP, SPARK PLUG			
12		A429-000090	1	COVER, CAP			
13		V475-005070	1	TUBE			
14		V352-000100	2	COLLAR, 4	9*4.2*L6		
15		V202-000330	2	BOLT			
16		159010-12530	1	PLUG, SPARK (BPMR-6A)	BPMR-6A		

7. CARBURETOR



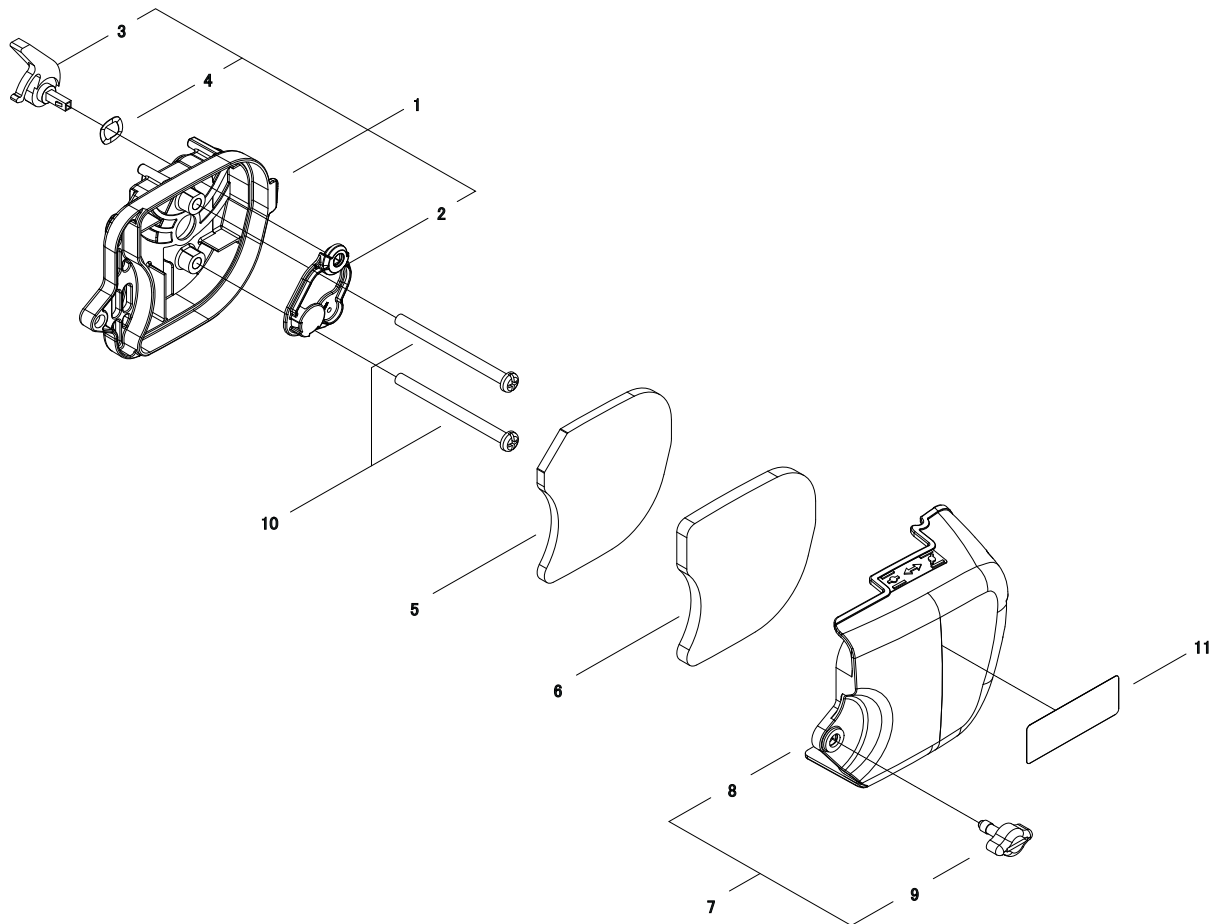
KEY	LV	PART NUMBER	Q'TY	DESCRIPTION	REMARKS	NOTE1	NOTE2
1		A021-003460	1	CARBURETOR,DIAPHRAGM	WYL		
2	+	P003-003970	1	BODY ASSEMBLY, PUMP			
3	++	123126-10631	1	SCREEN, INLET			
4	++	123137-19830	1	VALVE, INLET NEEDLE			
5	++	123122-05560	1	SPRING, METER. LEVER			
6	++	123139-05560	1	SCREW, M. LEVER PIN			
7	++	123138-03930	1	PIN, METERING LEVER			
8	++	123123-03930	1	LEVER, METERING			
9	+	P003-003980	1	BODY, AIR PURGE			
10	+	123142-05560	1	COVER, PRIMER PUMP			
11	+	123181-40630	1	PUMP, PRIMER			
12	+	P003-001850	1	DIAPHRAGM, METERING			
13	+	123140-05560	1	GASKET, M. DIAPHRAGM			
14	+	123112-40630	1	DIAPHRAGM, PUMP			
15	+	P003-000100	1	GASKET, PUMP			
16	+	123184-44430	1	JET #35	#35		
17	+	123183-40630	1	O-RING			
18	+	P003-004740	1	VALVE, THROTTLE			
19	+	123114-44330	2	SCREW			
20	+	900720-00015	1	O-RING 15	P-15		
21	+	123110-05560	4	SCREW, PUMP COVER			
22	+	123172-45130	1	SWIVEL			
23	+	123173-07930	1	CLIP			
24		V103-001160	1	GASKET,INTAKE			
25		V152-002320	1	PLATE,ANGLE			
26		V495-001370	1	BAND			

7. CARBURETOR



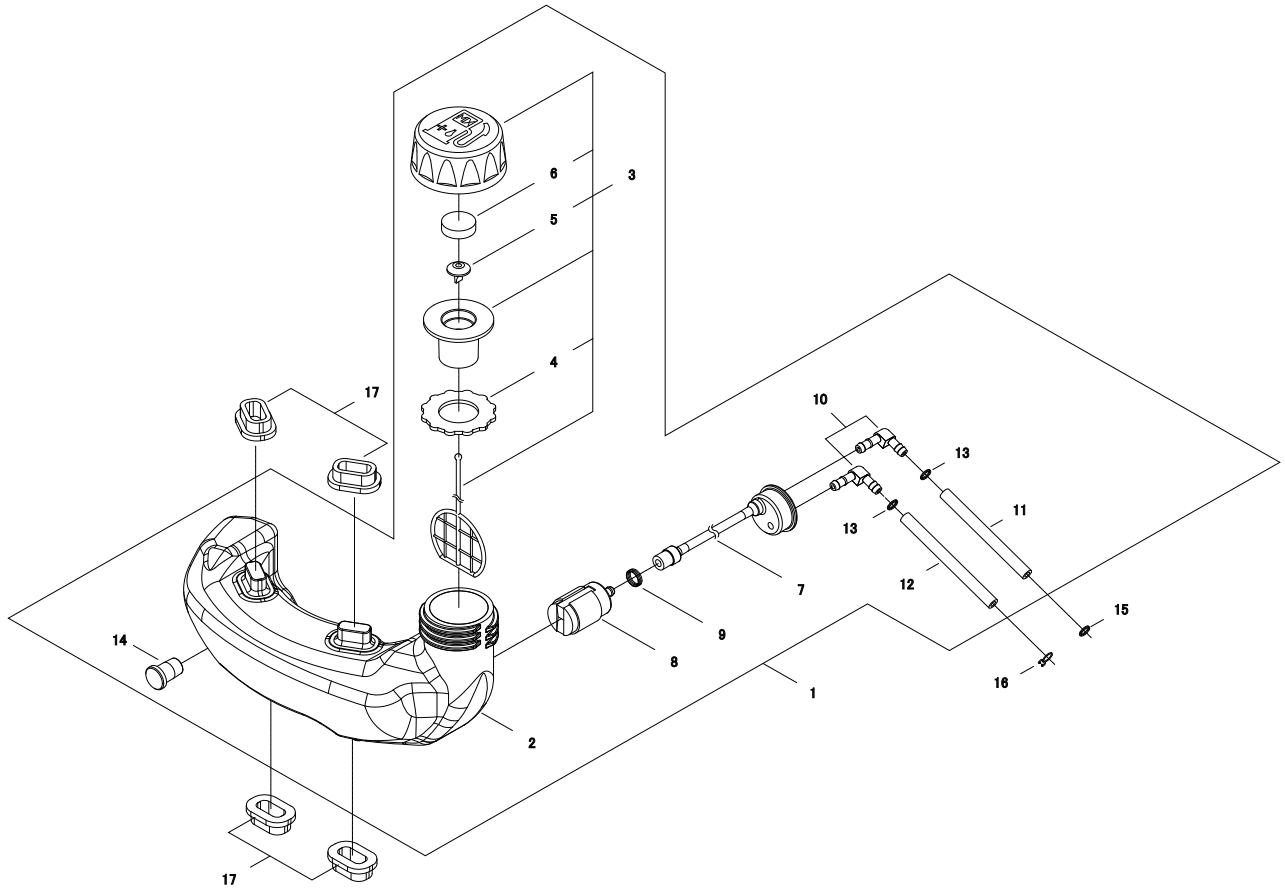
KEY	LV	PART NUMBER	Q'TY	DESCRIPTION	REMARKS	NOTE1	NOTE2
27		V490-000440	1	CLIP			

8. AIR CLEANER



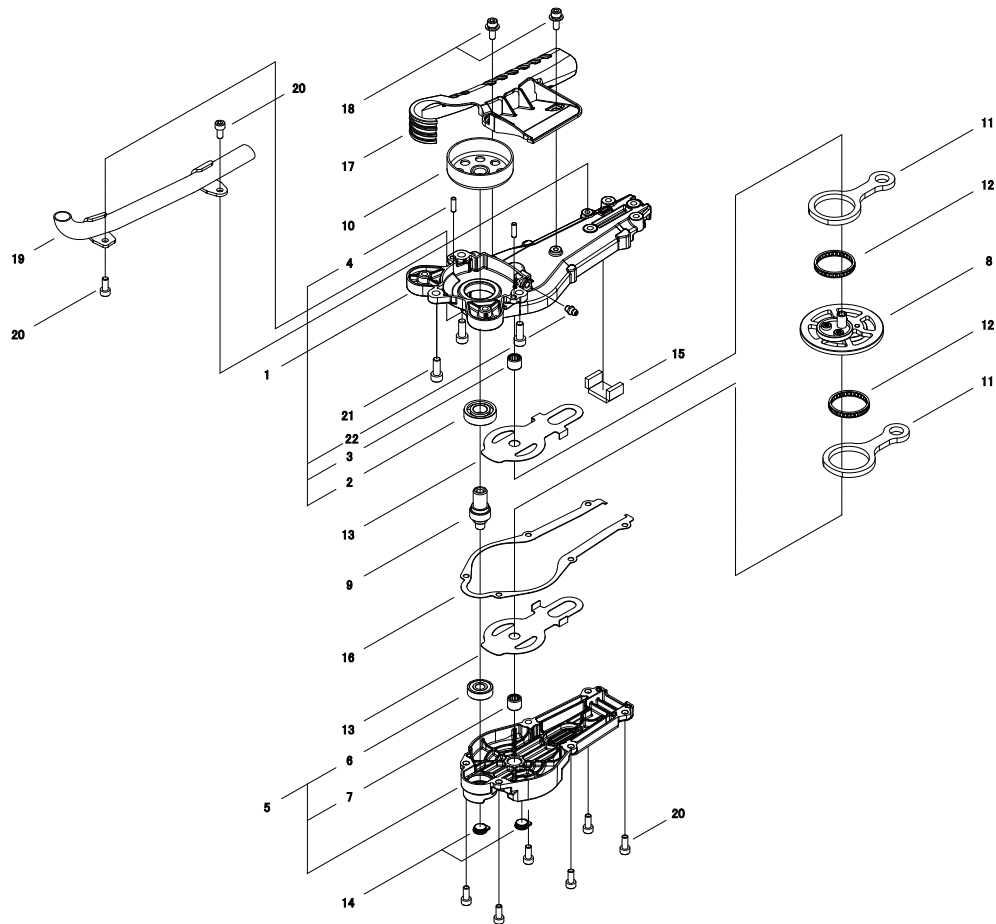
KEY	LV	PART NUMBER	Q'TY	DESCRIPTION	REMARKS	NOTE1	NOTE2
1		A023-000320	1	CASE,CLEANER			
2	+	A243-000190	1	SHUTTER,CHOKE			
3	+	A242-000170	1	CHOKE LEVER			
4	+	V346-000050	1	WASHER,WAVE			
5		A226-000710	1	FILTER			
6		A226-000720	1	ELEMENT,AIR FILTER			
7		P021-034220	1	CLEANER COVER			
8	+	A232-000920	1	CLEANER COVER			
9	+	V299-000400	1	KNOB			
10		91579-05070	2	SCREW			
11		X505-003350	1	LABEL,CAUTION			

9. FUEL TANK, FRAME



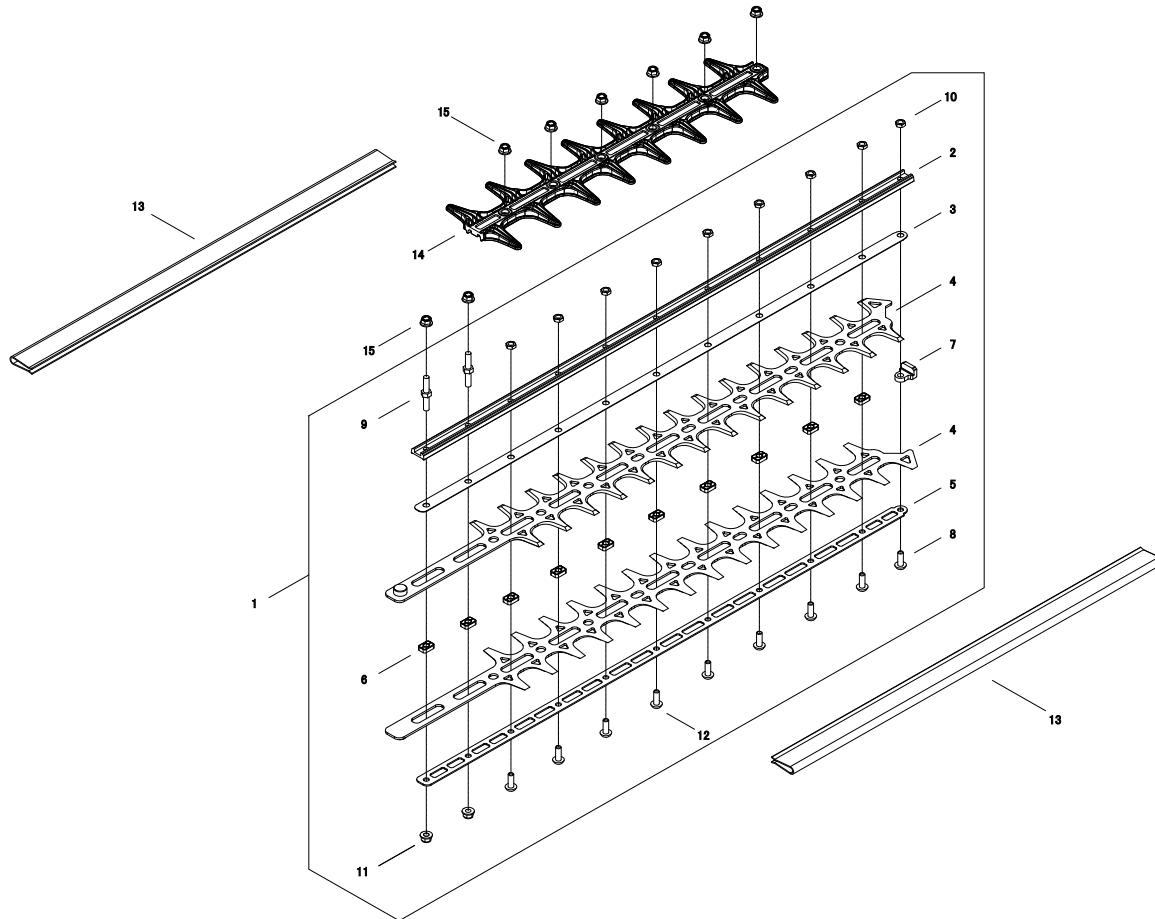
KEY	LV	PART NUMBER	Q'TY	DESCRIPTION	REMARKS	NOTE1	NOTE2
1		A038-000340	1	FUEL TANK ASSY			
2	+	A350-001470	1	TANK,FUEL			
3	+	A033-000120	1	FUEL CAP ASSY			
4	++	V107-000050	1	GASKET			
5	++	E263-000040	1	VALVE,CHECK			
6	++	V540-000280	1	SEAL,CIRCULAR			
7	+	V470-001200	1	PIPE			
8	+	131205-19831	1	STRAINER, FUEL			
9	+	V490-000610	1	CLIP			
10	+	V186-000270	2	JOINT,PIPE			
11	+	V471-002750	1	PIPE			
12	+	V471-002740	1	PIPE			
13	+	V490-000500	2	CLIP			
14	+	V145-000200	1	GROMMET			
15		V490-000500	1	CLIP			
16		V490-000510	1	CLIP			
17		V420-002220	4	TANK CUSHION			

10. GEAR CASE



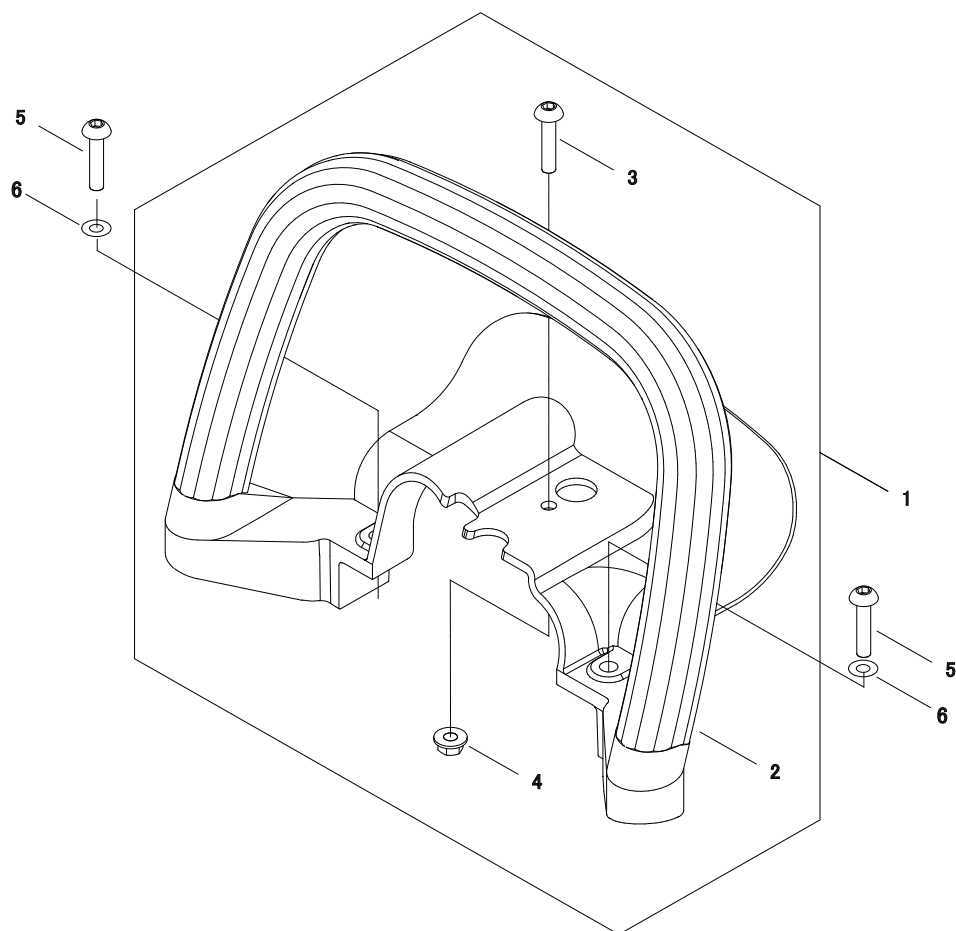
KEY	LV	PART NUMBER	Q'TY	DESCRIPTION	REMARKS	NOTE1	NOTE2
1		P021-034232	1	GEAR CASE COMP			
2	+	900802-06001	1	BEARING, BALL 6001	6001DDU(LLU)		
3	+	V553-000110	1	BEARING, NEEDLE			
4	+	V622-000050	2	ROLLER			
22	+	V187-000080	1	GREASE NIPPLE			
5		P021-034240	1	CASE COVER COMP			
6	+	900804-00608	1	BEARING, BALL 608	608ZZ		
7	+	V553-000110	1	BEARING, NEEDLE			
8		V060-000071	1	GEAR, SPUR			
9		V655-000040	1	SHAFT, PINION			
10		A556-000940	1	DRUM CLUCH			
11		C532-000200	2	ROD			
12		V572-000000	2	BEARING, NEEDLE			
13		C603-000260	2	PLATE, SIDE			
14		V162-000390	2	PLUG			
15		V541-000200	1	SEAL			
16		V110-000110	1	GASKET, GEAR CASE	HTE600 T0.5		
17		A314-000010	1	COVER			
18		V203-001140	2	BOLT, 5	M5*14		
19		A313-001360	1	EXHAUST PIPE			
20		900105-05012	8	BOLT, H.S. 5*12	5*12		
21		V204-000490	3	BOLT, 6			

11. CUTTER



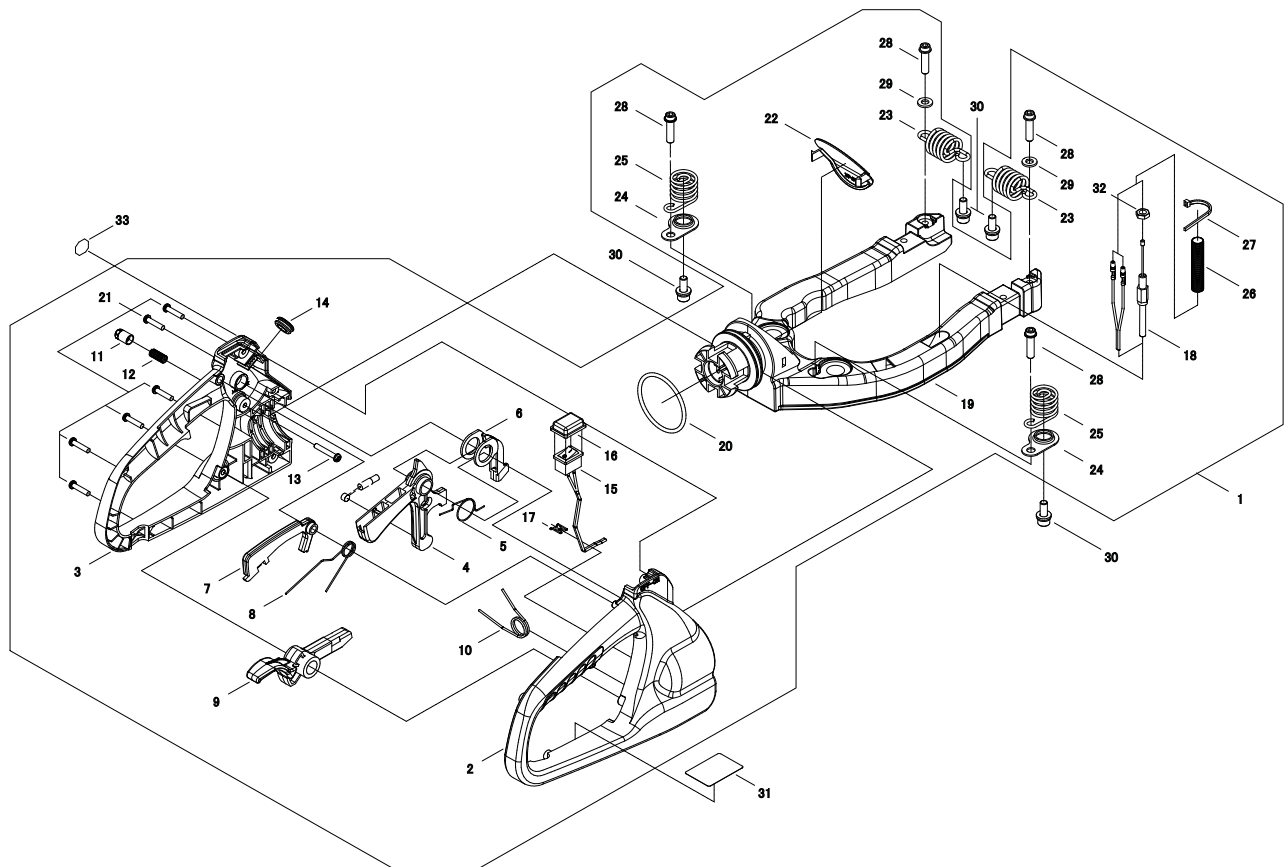
KEY	LV	PART NUMBER	Q'TY	DESCRIPTION	REMARKS	NOTE1	NOTE2
1		X041-000390	1	CUTTER,ASM			
2	+	X425-000570	1	SUPPORT,CUTTER	600MM		
3	+	X425-000580	1	SUPPORT,CUTTER	600MM		
4	+	X411-000860	2	BLADE			
5	+	X425-000590	1	LOWER PLATE			
6	+	V376-001370	10	SPACER	T4.2		
7	+	V376-001380	1	BLOCK			
8	+	V203-001070	3	BOLT,5	M5*14		
9	+	V223-000020	2	BOLT			
10	+	92022-05000	9	NUT	M5		
11	+	V263-000250	2	NUT	M5		
12	+	V203-001080	6	SCREW	M5*22		
13		X495-000330	2	BLADE COVER			
14		X431-000100	1	BLUNT			
15		V263-000250	8	NUT	M5		

12. HANDLE



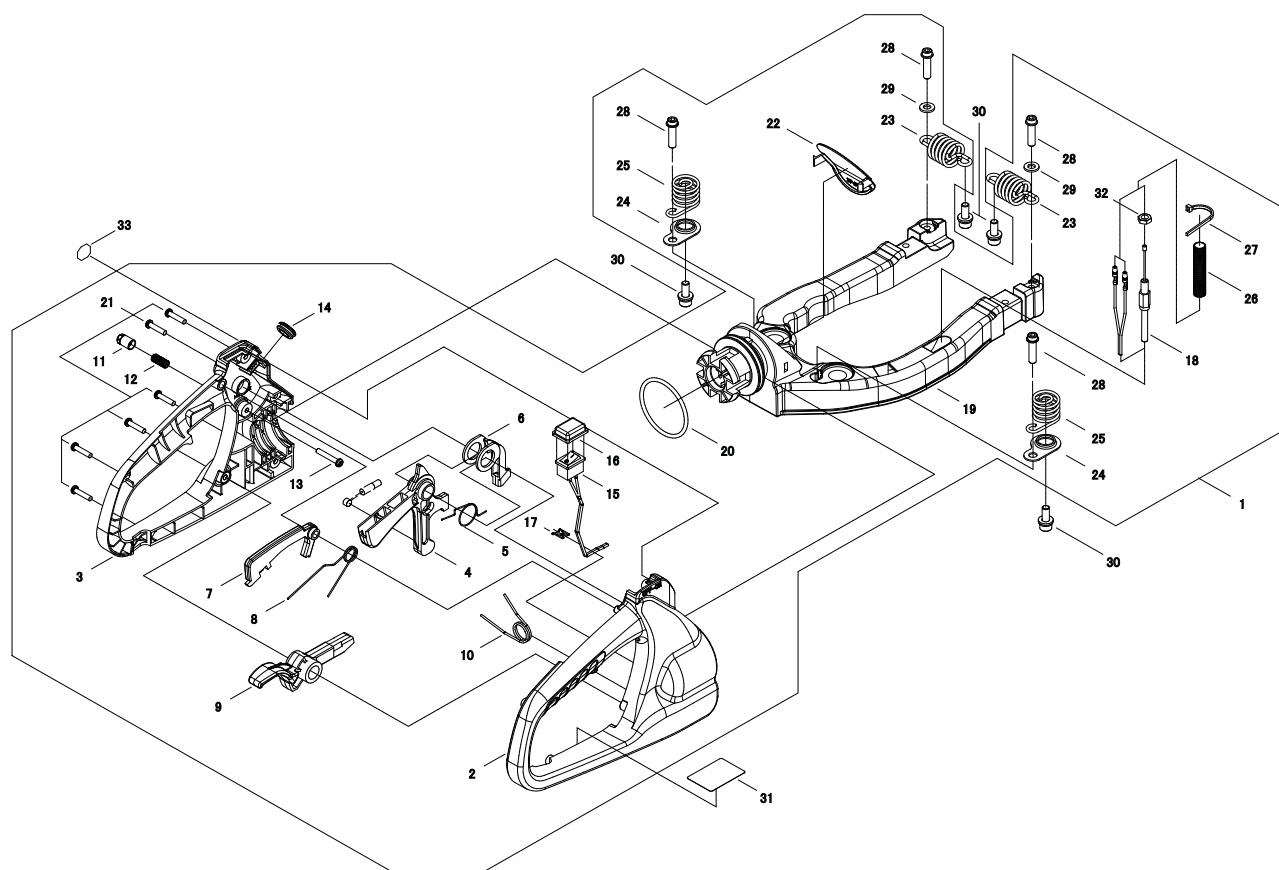
KEY	LV	PART NUMBER	Q'TY	DESCRIPTION	REMARKS	NOTE1	NOTE2
1		C040-000410	1	FRONT HANDLE ASSY			
2	+	C400-000870	1	FRONT HANDLE			
3	+	V203-001050	1	SCREW BUTTON			
4	+	V263-000330	1	FLANGE NUT			
5		V806-000080	2	BOLT, TORX 6	TT-6*25 DG 10.9		
6		92223-06000	2	WASHER			

13. THROTTLE LEVER



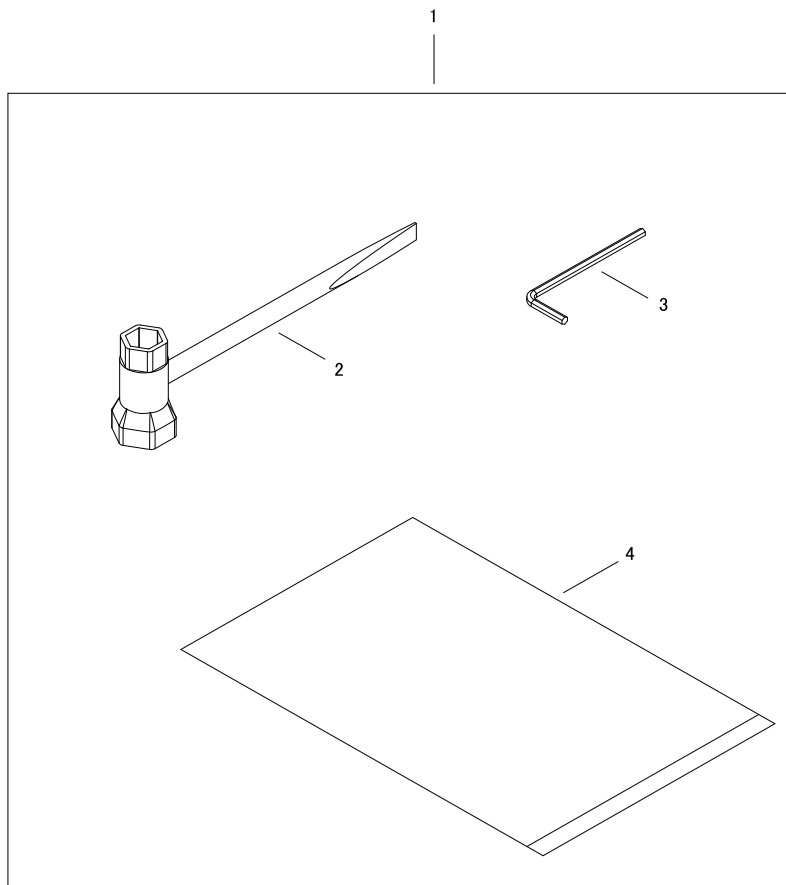
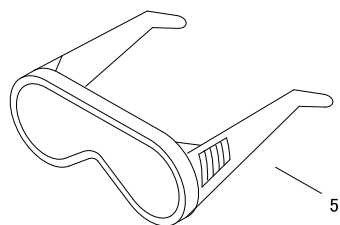
KEY	LV	PART NUMBER	Q'TY	DESCRIPTION	REMARKS	NOTE1	NOTE2
1		C041-000031	1	HANDLE,ASM REAR			
2	+	C410-000660	1	HANDLE RIGHT			
3	+	C410-000670	1	HANDLE LEFT			
4	+	C450-000560	1	THROTTLE LEVER			
5	+	V452-000650	1	COIL SPRING			
6	+	C453-000370	1	SUB LEVER			
7	+	C460-000220	1	LOCK LEVER			
8	+	V452-000660	1	THROTTLE SPRING			
9	+	C661-000060	1	LOCK LEVER			
10	+	V452-000670	1	LOCK SPRING			
11	+	C463-000060	1	KNOB			
12	+	V450-000980	1	COIL SPRING			
13	+	V252-000320	1	SCREW TAPTITE			
14	+	V162-000400	1	GROMMET			
15	+	A440-001510	1	SWITCH			
16	+	A447-000060	1	SWITCH COVER			
17	+	V490-000670	1	CLIP			
18	+	V430-003120	1	THROTTLE CABLE			
19	+	C600-001190	1	HANDLE STAY			
20	+	92501-05000	1	O-RING	G50		
21	+	V252-000330	6	SCREW TAPPING			
22	+	C411-000110	1	CAP			
23	+	V450-000990	2	COIL SPRING			
24	+	V456-000150	2	PLATE			
25	+	V450-001000	2	SPRING			
26	+	V475-005080	1	TUBE			

13. THROTTLE LEVER



KEY	LV	PART NUMBER	Q'TY	DESCRIPTION	REMARKS	NOTE1	NOTE2
27	+	V495-002400	1	BAND			
28	+	V806-000000	4	BOLT, TORX 6	TT-6*20 DG 10.9		
29	+	92223-06000	2	WASHER			
32	+	900502-00006	1	NUT 6 (3N)	3N6		
30		V204-000500	4	BOLT SPW			
31		X505-003370	1	LABEL INST			
33		890157-39130	1	LABEL, SWITCH			

14. TOOLS



KEY	LV	PART NUMBER	Q'TY	DESCRIPTION	REMARKS	NOTE1	NOTE2
1		P021-034250	1	TOOL			
2	+	X602-000120	1	TOOL,WRENCH	19-13		
3	+	X605-000100	1	TOOL,L WRENCH	4MM M5		
4	+	X705-000100	1	BAG,PACKING	140*200*T0.08		
5		X690-000030	1	GOGGLE			

Index

Patrs Number	Key No.	Patrs Number	Key No.	Patrs Number	Key No.
123110-05560	7 - 21	A243-000190	8 - 2	P021-034232	10 - 1
123112-40630	7 - 14	A300-000870	2 - 1	P021-034240	10 - 5
123114-44330	7 - 19	A313-001360	10 - 19	P021-034250	14 - 1
123122-05560	7 - 5	A314-000010	10 - 17	V060-000071	10 - 8
123123-03930	7 - 8	A350-001470	9 - 2	V100-000350	1 - 2
123126-10631	7 - 3	A409-000690	6 - 1	V103-001150	1 - 6
123137-19830	7 - 4	A409-000700	6 - 2	V103-001160	7 - 24
123138-03930	7 - 7	A411-000840	6 - 7	V104-001440	2 - 2
123139-05560	7 - 6	A426-000010	6 - 10	V107-000050	9 - 4
123140-05560	7 - 13	A427-000013	6 - 11	V110-000110	10 - 16
123142-05560	7 - 10	A429-000090	6 - 12	V136-000060	3 - 22
123172-45130	7 - 22	A440-001510	13 - 15	V145-000200	9 - 14
123173-07930	7 - 23	A447-000060	13 - 16	V152-002320	7 - 25
123181-40630	7 - 11	A500-001000	3 - 10	V162-000390	10 - 14
123183-40630	7 - 17	A504-000100	3 - 14	V162-000400	13 - 14
123184-44430	7 - 16	A506-000320	3 - 11	V186-000270	9 - 10
131205-19831	9 - 8	A509-000110	3 - 16	V187-000080	10 - 22
159010-12530	6 - 16	A511-000140	3 - 17	V202-000330	6 - 15
890157-39130	13 - 33	A514-000090	6 - 3	V203-000580	1 - 7
900105-05012	10 - 20	A522-000040	3 - 18	V203-001020	3 - 20
900105-05020	1 - 3	A552-000140	5 - 3	V203-001020	3 - 23
900105-05025	3 - 8	A555-000140	5 - 2	V203-001050	12 - 3
900105-05045	2 - 3	A556-000940	10 - 10	V203-001070	11 - 8
900502-00006	13 - 32	A566-000190	5 - 4	V203-001080	11 - 12
900600-00005	2 - 4	C040-000410	12 - 1	V203-001140	10 - 18
900720-00015	7 - 20	C041-000031	13 - 1	V204-000490	10 - 21
900802-06001	10 - 2	C400-000870	12 - 2	V204-000500	13 - 30
900804-00608	10 - 6	C410-000660	13 - 2	V223-000020	11 - 9
91579-05070	8 - 10	C410-000670	13 - 3	V252-000320	13 - 13
92022-05000	11 - 10	C411-000110	13 - 22	V252-000330	13 - 21
92223-06000	12 - 6	C450-000560	13 - 4	V253-000310	3 - 15
92223-06000	13 - 29	C453-000370	13 - 6	V263-000250	11 - 11
92501-05000	13 - 20	C460-000220	13 - 7	V263-000250	11 - 15
A011-000600	4 - 7	C463-000060	13 - 11	V263-000260	1 - 5
A021-003460	7 - 1	C532-000200	10 - 11	V263-000330	12 - 4
A023-000320	8 - 1	C533-000140	3 - 12	V265-000150	6 - 6
A033-000120	9 - 3	C600-001190	13 - 19	V299-000400	8 - 9
A038-000340	9 - 1	C603-000260	10 - 13	V306-000250	4 - 6
A051-001820	3 - 9	C661-000060	13 - 9	V346-000050	8 - 4
A056-000250	5 - 1	E263-000040	9 - 5	V352-000100	6 - 14
A100-000900	4 - 1	P003-000100	7 - 15	V376-001370	11 - 6
A101-000230	4 - 2	P003-001850	7 - 12	V376-001380	11 - 7
A130-001141	1 - 1	P003-003970	7 - 2	V420-002220	9 - 17
A160-001771	3 - 19	P003-003980	7 - 9	V430-003120	13 - 18
A200-000760	1 - 4	P003-004740	7 - 18	V450-000980	13 - 12
A226-000710	8 - 5	P021-033830	3 - 4	V450-000990	13 - 23
A226-000720	8 - 6	P021-034200	3 - 1	V450-001000	13 - 25
A232-000920	8 - 8	P021-034210	4 - 8	V452-000630	6 - 4
A242-000170	8 - 3	P021-034220	8 - 7	V452-000640	3 - 13

Index

Patrs Number	Key No.	Patrs Number	Key No.	Patrs Number	Key No.
V452-000650	13 - 5	X690-000030	14 - 5		
V452-000660	13 - 8	X705-000100	14 - 4		
V452-000670	13 - 10				
V456-000150	13 - 24				
V470-001200	9 - 7				
V471-002740	9 - 12				
V471-002750	9 - 11				
V475-005070	6 - 13				
V475-005080	13 - 26				
V485-002270	6 - 8				
V485-002280	6 - 9				
V490-000440	7 - 27				
V490-000500	9 - 13				
V490-000500	9 - 15				
V490-000510	9 - 16				
V490-000610	9 - 9				
V490-000670	13 - 17				
V495-001370	7 - 26				
V495-002400	13 - 27				
V503-000010	3 - 3				
V503-000010	3 - 6				
V540-000280	9 - 6				
V541-000200	10 - 15				
V553-000090	4 - 5				
V553-000110	10 - 3				
V553-000110	10 - 7				
V572-000000	10 - 12				
V580-000070	4 - 4				
V583-000140	6 - 5				
V592-000300	3 - 2				
V592-000300	3 - 5				
V606-000040	4 - 3				
V622-000040	3 - 7				
V622-000050	10 - 4				
V655-000040	10 - 9				
V806-000000	13 - 28				
V806-000080	12 - 5				
X041-000390	11 - 1				
X411-000860	11 - 4				
X425-000570	11 - 2				
X425-000580	11 - 3				
X425-000590	11 - 5				
X431-000100	11 - 14				
X495-000330	11 - 13				
X504-006440	3 - 21				
X505-003350	8 - 11				
X505-003370	13 - 31				
X602-000120	14 - 2				
X605-000100	14 - 3				

YAMABIKO CORPORATION

7-2 SUEHIROCHO 1-CHOME, OHME, TOKYO 198-8760, JAPAN
PHONE: 81-428-32-6118. FAX: 81-428-32-6145.

shindaiwa[®]



11Db
No. 03-153