

shindaiwa[®]

PARTS CATALOG

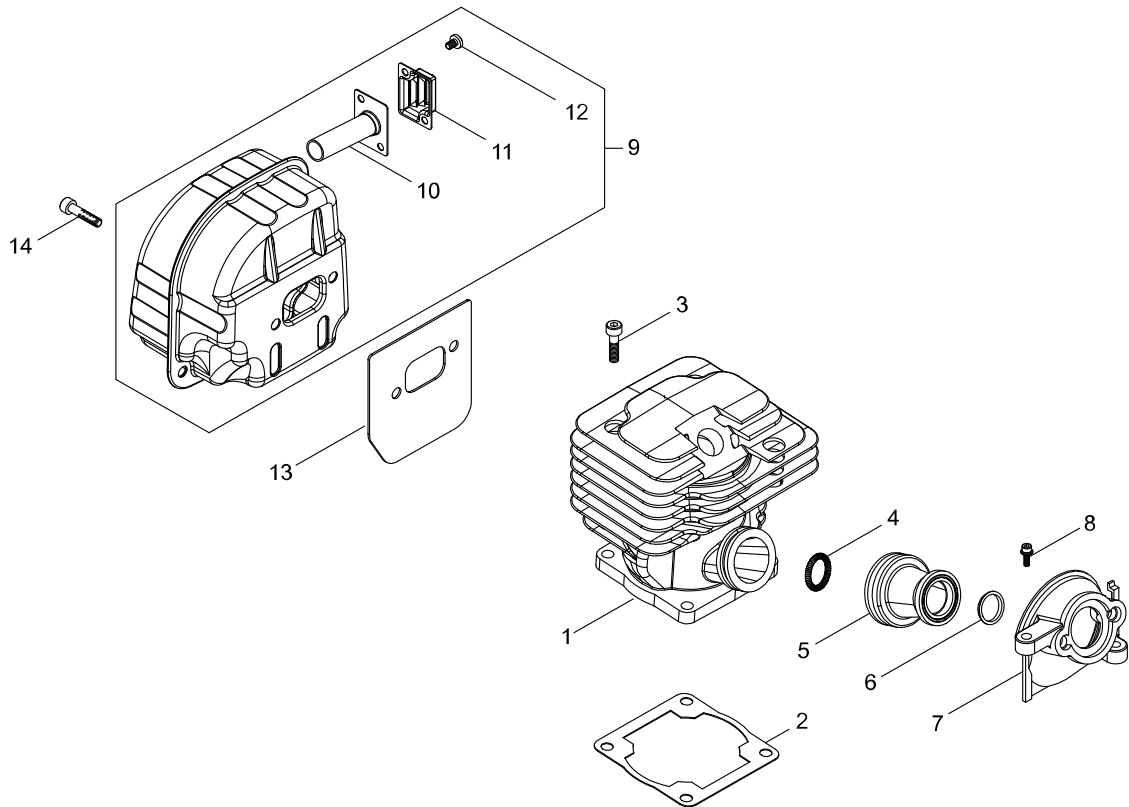
CHAIN SAW 452S/EC1(36)

36021461 -

CE

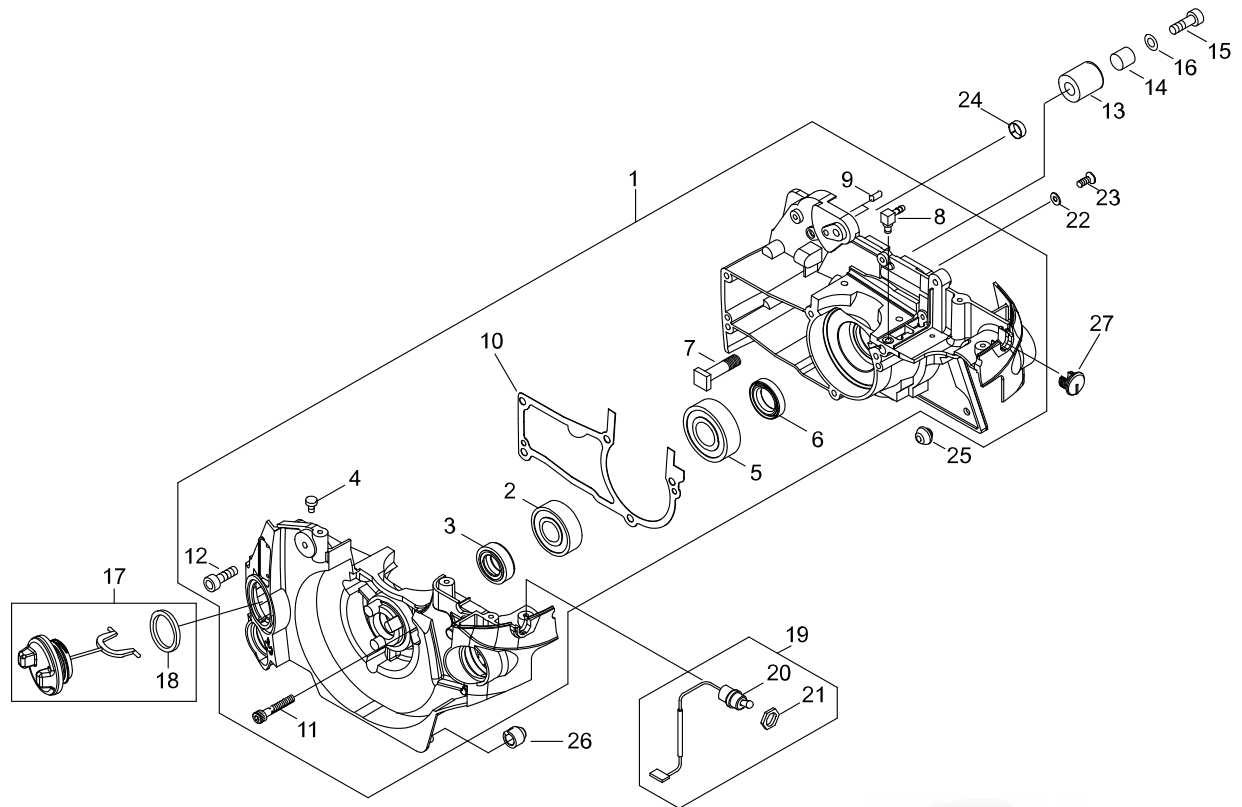
P016-002170-13K

1. CYLINDER, MUFFLER



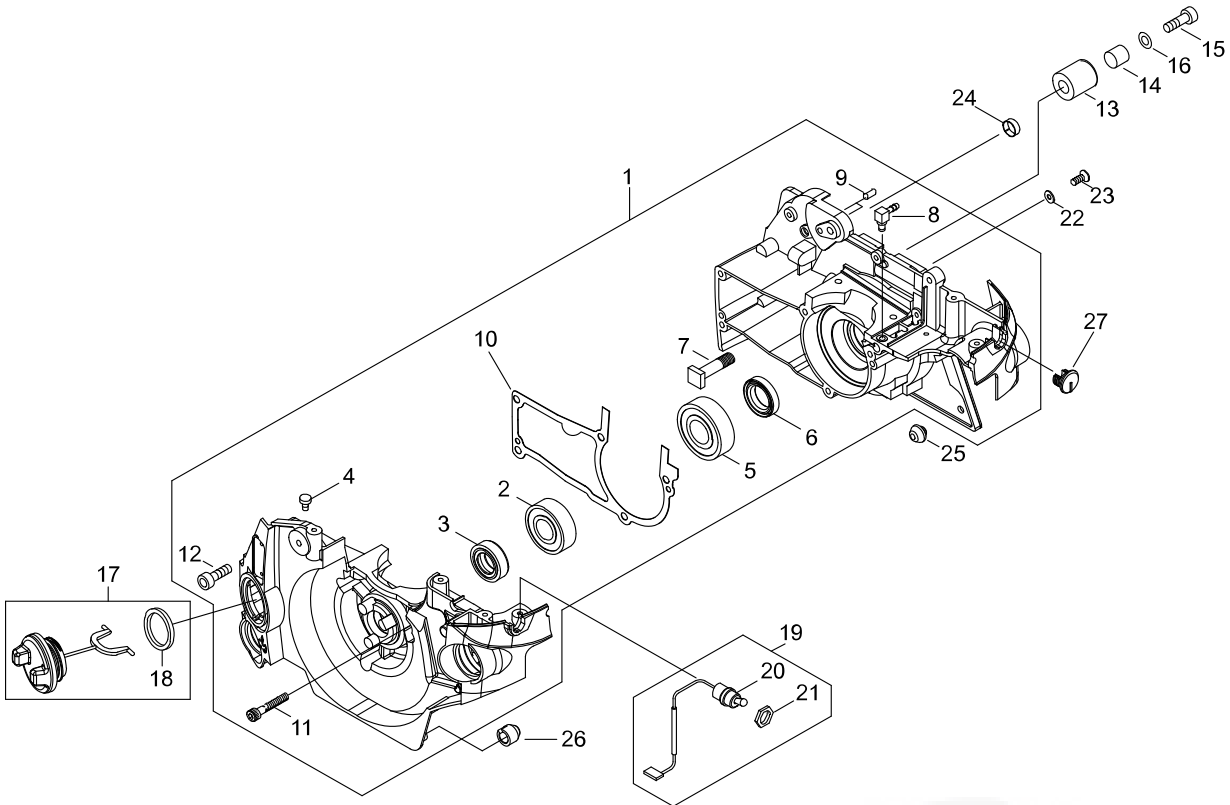
KEY	LV	PART NUMBER	Q'TY	DESCRIPTION	REMARKS	NOTE1	NOTE2
1		A130-001644	1	CYLINDER			
2		V100-000540	1	GASKET			
3		900105-05018	4	BOLT, H.S. 5*18	5*18		
4		V451-000920	1	SPRING			
5		A202-000150	1	BOOT			
6		V359-000200	1	COLLAR			
7		A200-000852	1	INSULATOR, INTAKE			
8		V202-000200	2	BOLT			
9		A030-000510	1	MUFFLER ASSY			
10	+	A313-001530	1	GUIDE,EXH			
11	+	A313-001460	1	TAIL PLATE			
12	+	91578-04006	2	SCREW			
13		V104-001581	1	GASKET,EXHAUST			
14		V203-001540	4	BOLT,ADHESIVE			

2. CASECRANK



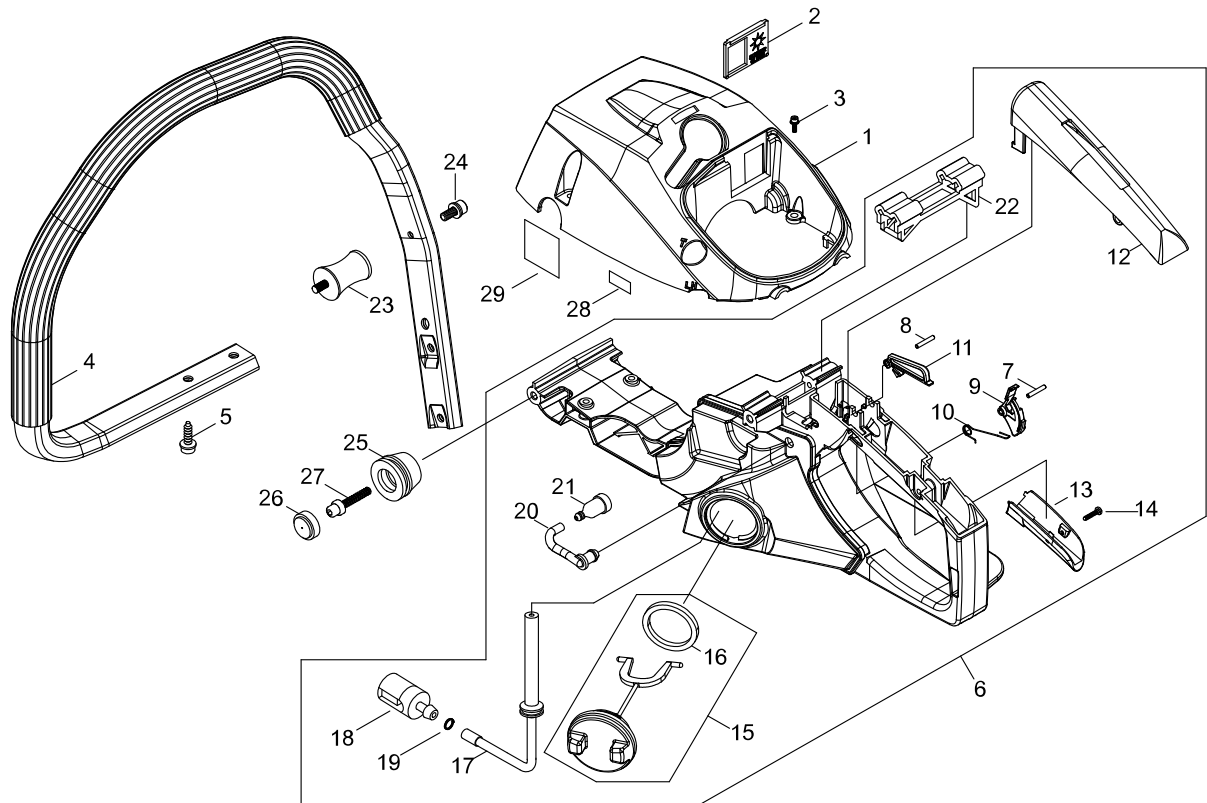
KEY	LV	PART NUMBER	Q'TY	DESCRIPTION	REMARKS	NOTE1	NOTE2
1		P021-038783	1	CRANKCASE			
2	+	V592-000330	1	BEARING, BALL	6201X3C3		
3	+	V505-000140	1	SEAL,OIL			
4	+	A356-000130	1	VALVE,CHECK			
5	+	V592-000290	1	BEARING, BALL	6202X47C3		
6	+	V508-000060	1	SEAL,OIL			
7	+	V225-000150	2	BOLT,STUD			
8	+	437239-14730	1	NIPPLE			
9	+	V629-000000	2	ROLLER			
10	+	V102-000162	1	GASKET,CRANKCASE			
11	+	V203-001450	3	BOLT			
12	+	900105-05018	2	BOLT, H.S. 5*18	5*18		
13		C310-000110	1	CATCHER, CHAIN			
14		V353-000460	1	BUSH			
15		V203-000370	1	BOLT ADHESIVE			
16		900600-00005	1	WASHER 5	5		
17		C020-000040	1	CAP			
18	+	V107-000090	1	GASKET,FUEL CAP			
19		P021-037400	1	SWITCH, ON OFF			
20	+	A440-001920	1	SWITCH, ON OFF			
21	+	V266-000090	1	NUT,10			
22		900603-00004	1	WASHER 4	4.5*10*0.8		
23		900212-04008	1	SCREW 4*8	+SF4*8		
24		V355-000460	1	COLLAR,8			
25		V420-002770	1	CUSHION			

2. CASECRANK



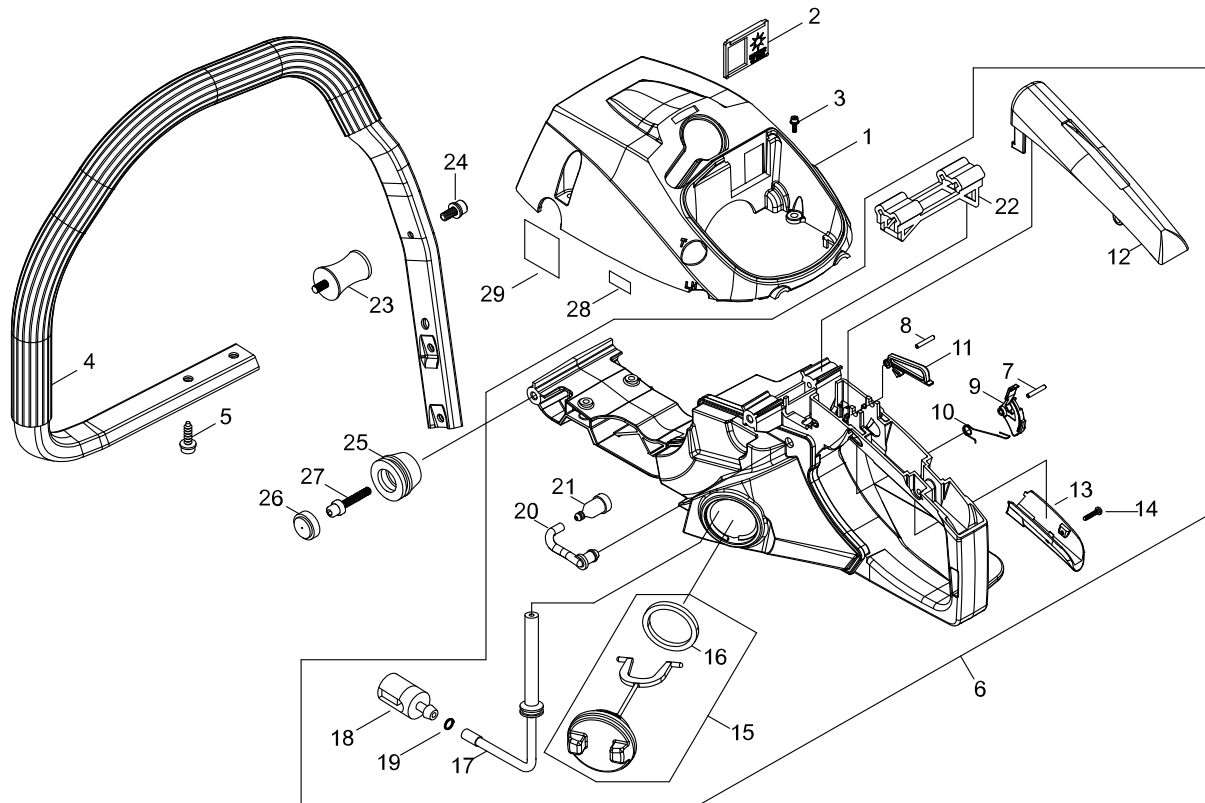
KEY	LV	PART NUMBER	Q'TY	DESCRIPTION	REMARKS	NOTE1	NOTE2
26		V420-002780	1	CUSHION			
27		V141-000100	1	PLUG			

3. HANDLE



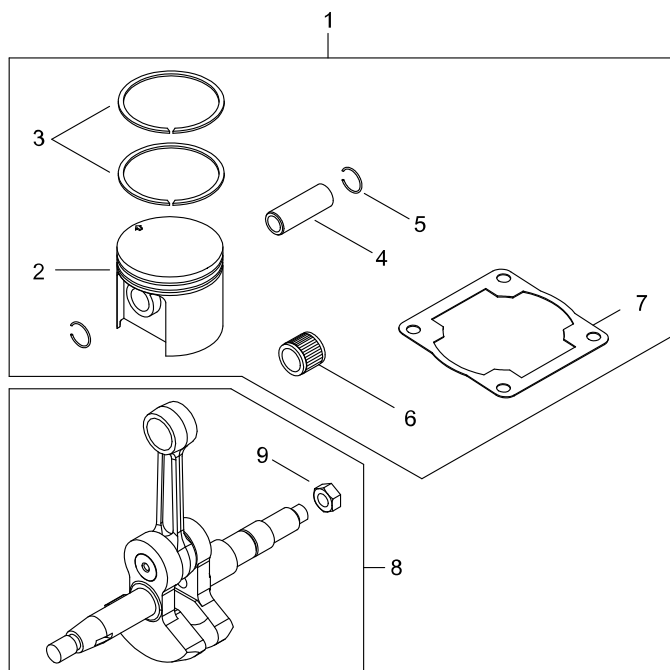
KEY	LV	PART NUMBER	Q'TY	DESCRIPTION	REMARKS	NOTE1	NOTE2
1		A160-002361	1	COVER,CYLINDER			
2		A219-000040	1	SHUTTER,AIR			
3		V202-000200	3	BOLT			
4		C040-000570	1	HANDLE,FRONT			
5		V203-001490	4	BOLT TAPPING			
6		P021-040402	1	HANDLE ASY, REAR			
7	+	93060-40250	1	PIN, SPRING			
8	+	93042-40220	1	PIN, SPRING			
9	+	C450-000641	1	CONTROL, THROTTLE			
10	+	V452-000850	1	SPRING,TORSION			
11	+	C460-000310	1	LOCKOUT,THROTTLE			
12	+	C411-000130	1	LID,HANDLE			
13	+	C403-000530	1	GRIP			
14	+	91449-04022	1	SCREW TAPPING			
15	+	A033-000220	1	CAP ASSY			
16	++	V107-000070	1	GASKET			
17	+	V470-001520	1	PIPE			
18	+	131205-19832	1	STRAINER, FUEL			
19	+	V490-000500	1	CLIP			
20	+	V470-001530	1	PIPE			
21	+	131300-56431	1	VENT ASSEMBLY, FUEL			
22	+	V420-002810	1	STOPPER			
23		V401-000330	1	CUSHION			
24		V202-000260	1	BOLT,4			
25		V401-000340	4	CUSHION			

3. HANDLE



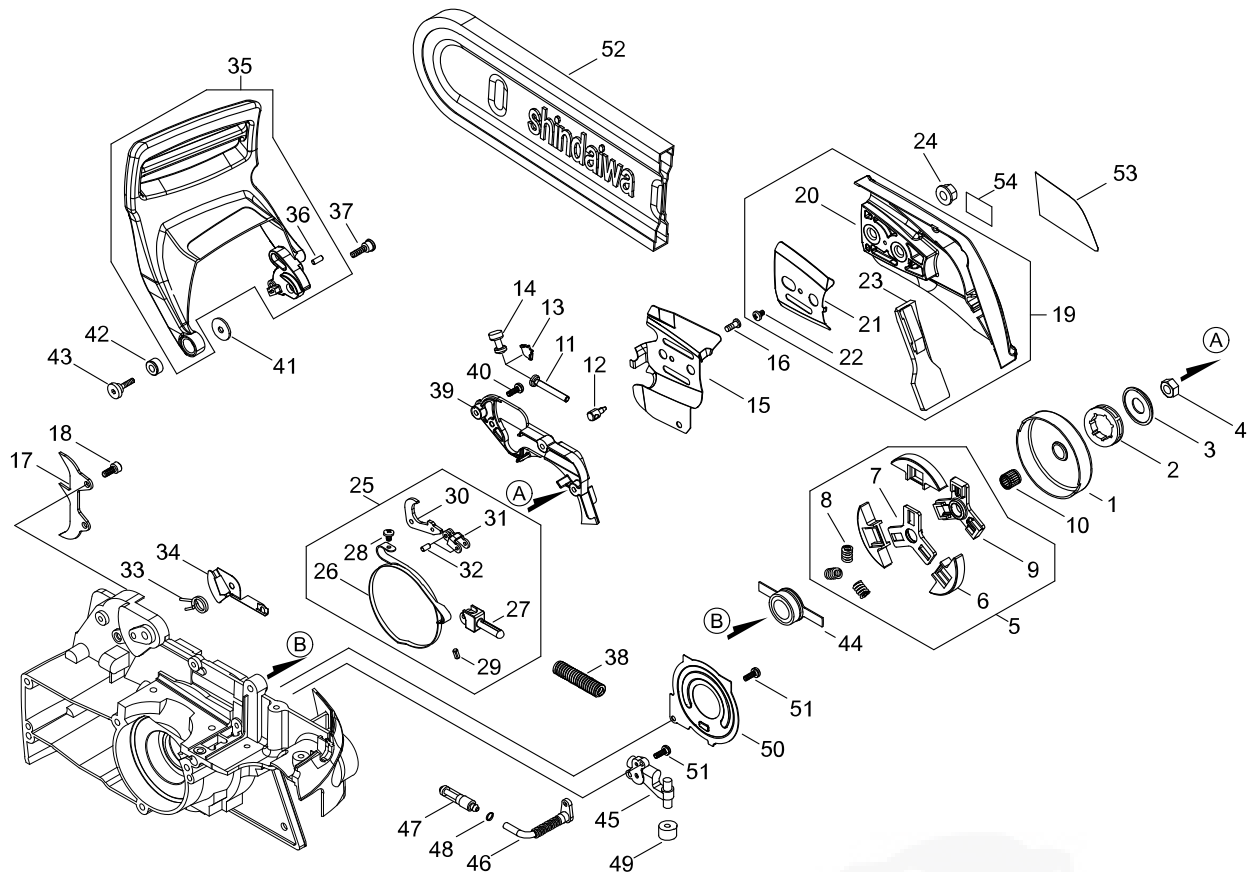
KEY	LV	PART NUMBER	Q'TY	DESCRIPTION	REMARKS	NOTE1	NOTE2
26		V421-000070	4	CAP,CUSHION			
27		V203-001480	4	BOLT			
28		X532-001141	1	LABEL,OPERATION			
29		890345-39231	1	LABEL,CAUTION			

4. PISTON, CRANKSHAFT



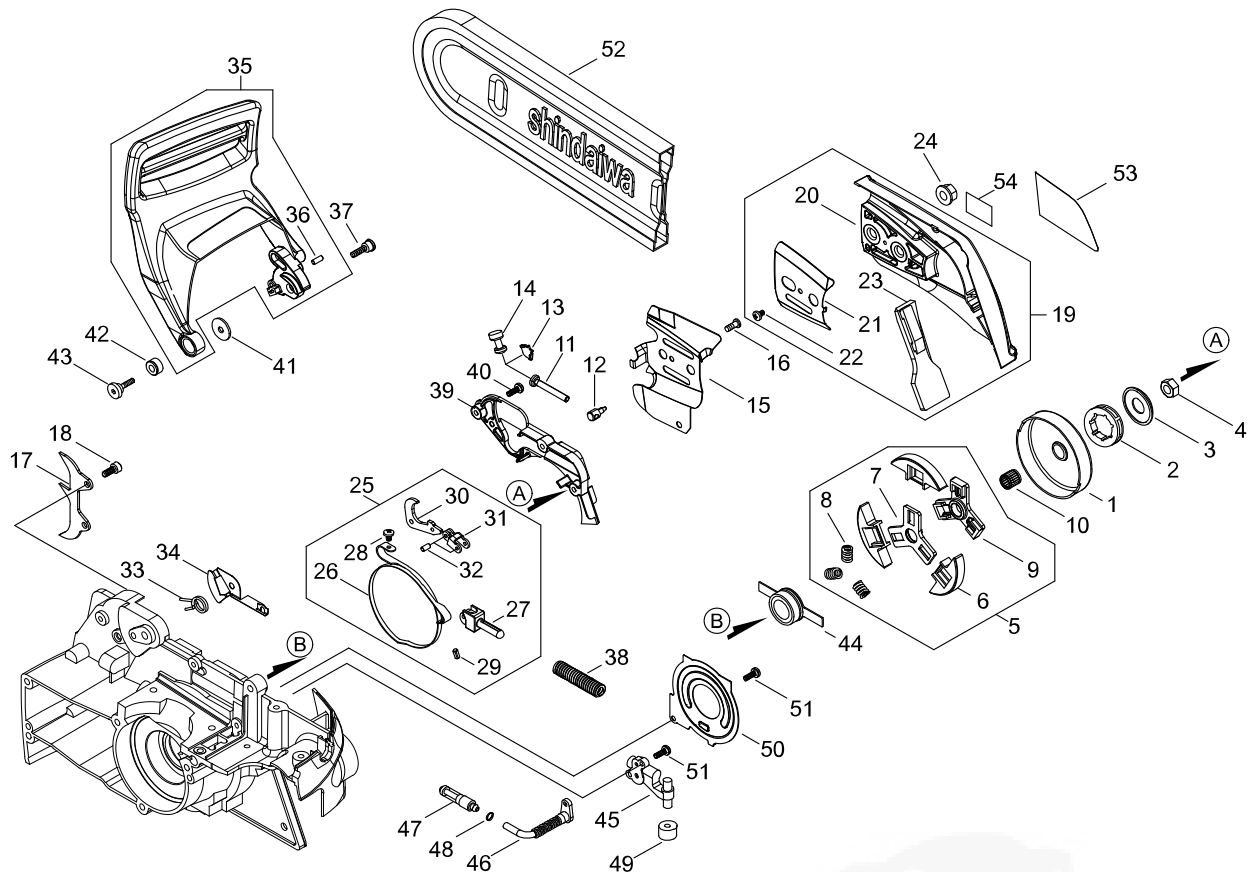
KEY	LV	PART NUMBER	Q'TY	DESCRIPTION	REMARKS	NOTE1	NOTE2
1		P021-029870	1	PISTON SET			
2	+	A100-000870	1	PISTON			
3	+	A101-000530	2	PISTON RING			
4	+	V608-000050	1	PIN,ENG			
5	+	V580-000110	2	SNAP RING			
6	+	V555-000140	1	BEARING,NEEDLE			
7	+	V100-000540	1	GASKET			
8		P021-026681	1	CRANK SHAFT			
9	+	V265-000211	1	NUT,8			

5. CLUTCH, SPROCKET



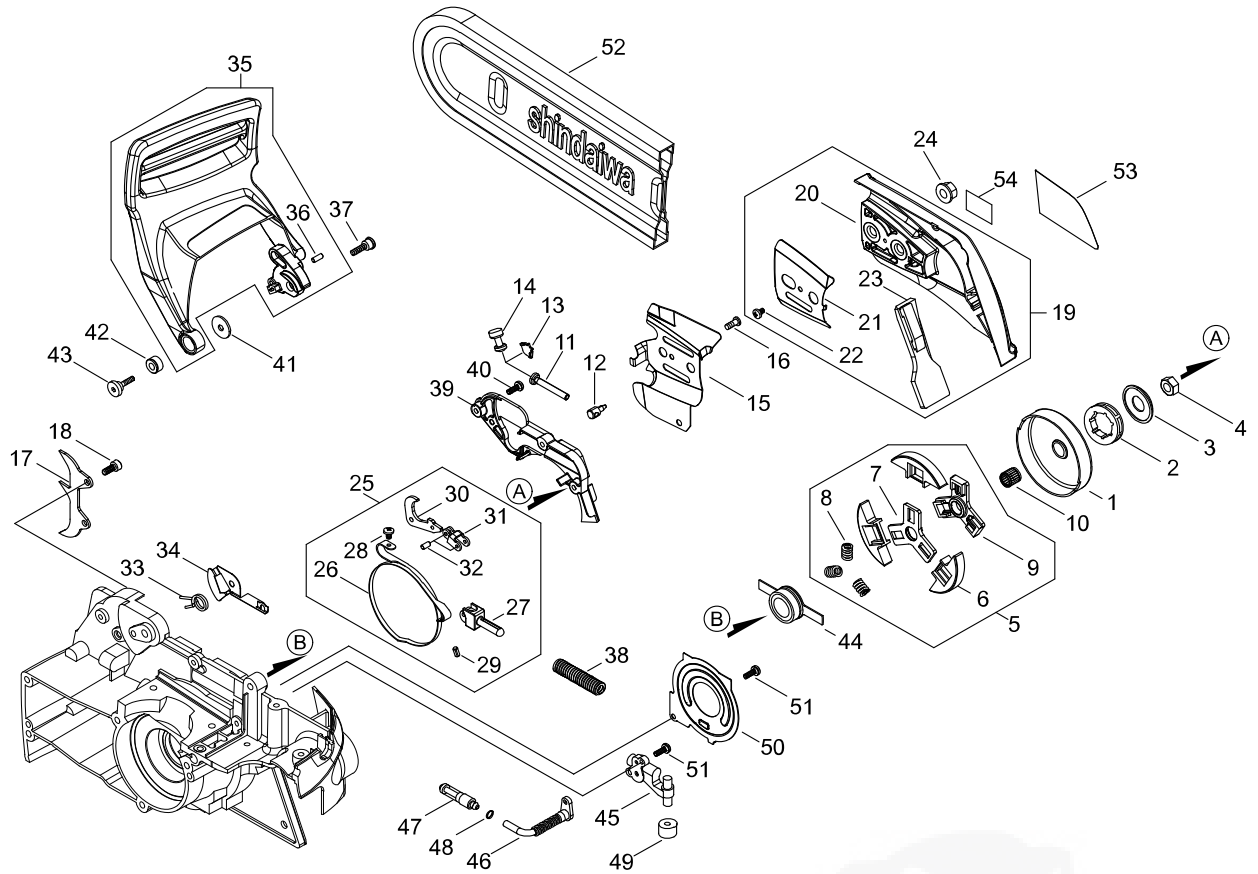
KEY	LV	PART NUMBER	Q'TY	DESCRIPTION	REMARKS	NOTE1	NOTE2
1		A556-001121	1	DRUM, CLUTCH			
2		175114-12530	1	SPROCKET, RIM .325			
3		V307-000451	1	WASHER, CIRCULAR 10			
4		V265-000211	1	NUT, 8			
5		A056-000610	1	ASM, CLUCH			
6	+	A555-000210	3	SHOE, CLUTCH			
7	+	A552-000230	1	HUB, CLUTCH			
8	+	V451-000930	3	SPRING			
9	+	A552-000240	1	HUB, CLUTCH			
10		V555-000150	1	BEARING, NEEDLE			
11		V253-000610	1	SCREW			
12		C309-000110	1	TENSIONER, CHAIN			
13		V152-002430	1	GUIDE			
14		V651-000790	1	GEAR, BEVEL			
15		C305-000411	1	PLATE, SPROCKET GUARD			
16		V252-000470	1	SCREW, 4			
17		C304-000130	1	SPIKE			
18		900105-05012	2	BOLT, H.S. 5*12	5*12		
19		P021-026922	1	CLUTCH COVER ASSY			
20	+	C300-000681	1	GUARD, SPROCKET			
21	+	C305-000260	1	PLATE, SPROCKET GUARD			
22	+	900253-04008	1	SCREW 4*8	4*8		
23	+	C302-000030	1	PROTECTOR			
24		V265-000200	2	NUT			
25		C328-000210	1	BAND, BRAKE			

5. CLUTCH, SPROCKET



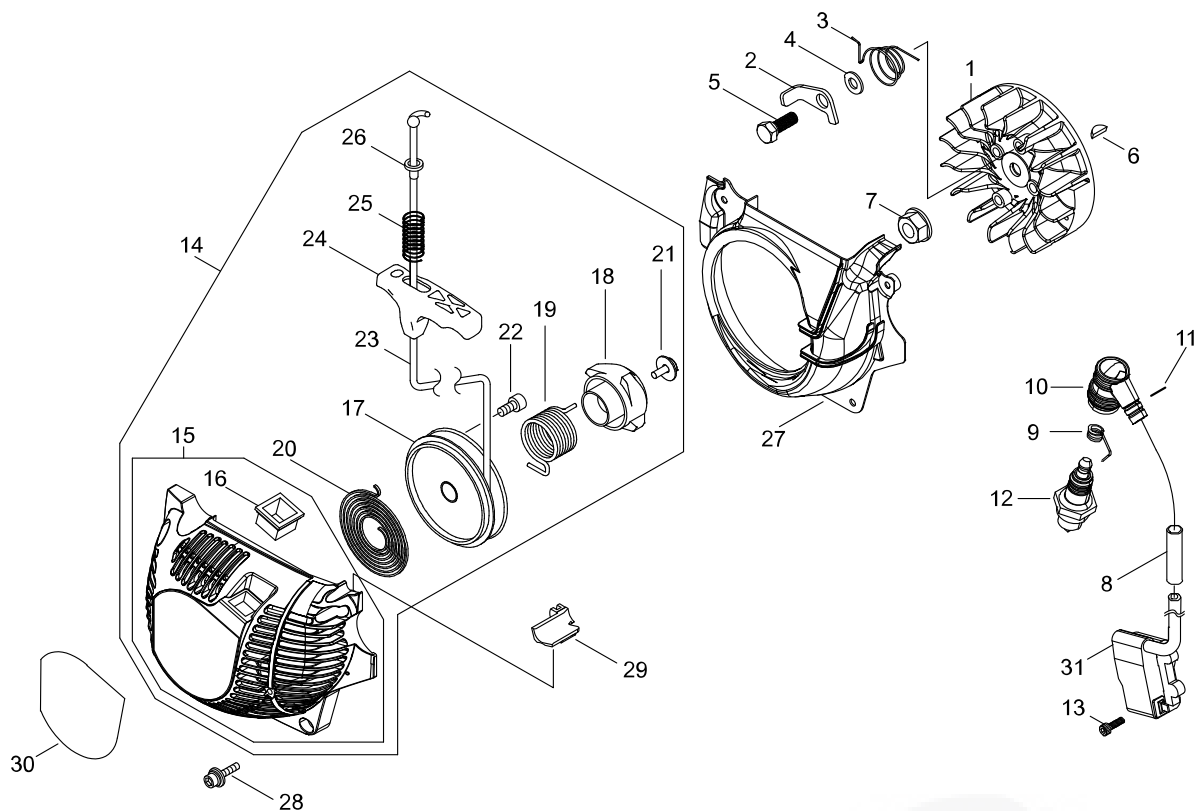
KEY	LV	PART NUMBER	Q'TY	DESCRIPTION	REMARKS	NOTE1	NOTE2
26	+	C328-000220	1	BAND,BRAKE			
27	+	C334-000180	1	CONNECTOR,BRAKE			
28	+	91381-04010	1	SCREW TAPPING			
29	+	93042-40100	1	PIN, SPRING			
30	+	C334-000190	1	CONNECTOR, BRAKE			
31	+	C334-000200	1	CONNECTOR,BRAKE			
32	+	900330-30120	2	PIN	3*12		
33		V452-000860	1	SPRING,TORSION			
34		C347-000010	1	PLATE,BRAKE SEAL			
35		P021-026933	1	GUARD COMP			
36	+	900330-40080	1	PIN F 4*8	4*8		
37		V203-001470	1	BOLT,ADHESIVE			
38		V450-001160	1	SPRING,COIL			
39		C345-000580	1	COVER BRAKE			
40		V202-000520	3	BOLT,4			
41		V303-000320	1	WASHER,CIRCULAR 5			
42		J211-000430	1	BUSH			
43		V203-001410	1	BOLT ADHESIVE			
44		P021-023110	1	GEAR			
45		C022-000121	1	AUTO-OILER ASSEMBLY			
46		V470-001840	1	PIPE			
47		C209-000070	1	STRAINER,OIL			
48		V490-000500	1	CLIP			
49		C211-000010	1	ELEMENT			
50		C236-000060	1	COVER,OILER			

5. CLUTCH, SPROCKET



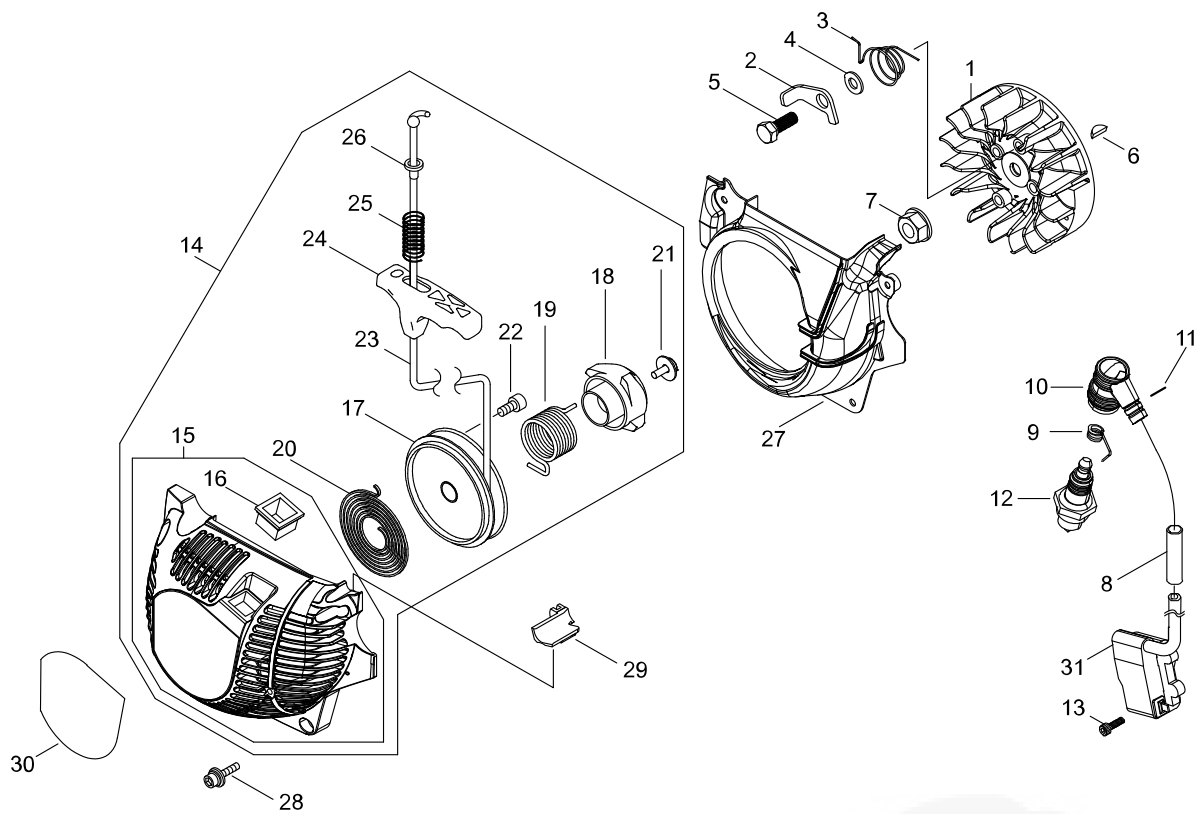
KEY	LV	PART NUMBER	Q'TY	DESCRIPTION	REMARKS	NOTE1	NOTE2
51		V202-000520	3	BOLT,4			
52		X490-000300	1	CHAIN COVER			
53		X504-004190	1	LABEL TRADE			
54		890316-39131	1	LABEL, CAUTION			

6. RECOIL STARTER, MAGNETO



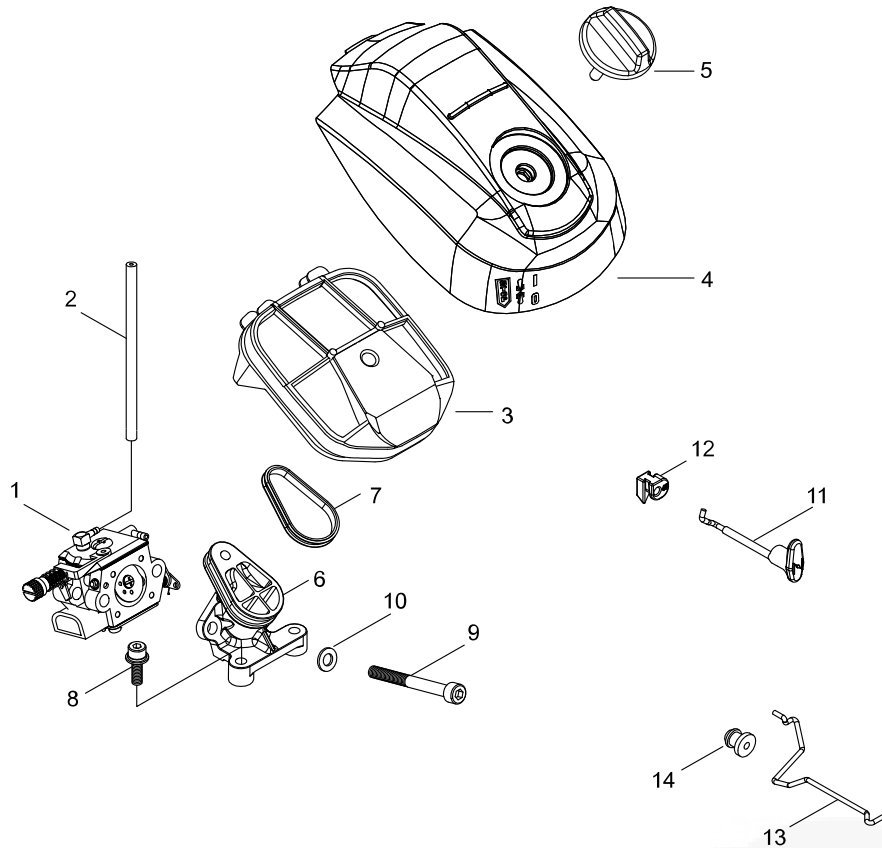
KEY	LV	PART NUMBER	Q'TY	DESCRIPTION	REMARKS	NOTE1	NOTE2
1		A409-000901	1	ROTOR, MAGNETO			
2		A514-000220	2	PAWL			
3		V452-000870	2	SPRING, TORSION			
4		V304-000270	2	WASHER, CIRCULAR 6			
5		V204-000620	2	BOLT			
6		93115-03010	1	KEY	3*10		
7		V265-000220	1	NUT			
8		V475-005180	1	TUBE			
9		A426-000040	1	TERMINAL, SPARKPLUG			
10		A427-000060	1	CAP, SPARK PLUG			
11		900720-20007	1	O-RING 7	P-7		
12		159010-10230	1	PLUG, SPARK (BPMR-7A	BPMR-7A		
13		V202-000540	2	BOLT, 4			
14		A051-002331	1	STARTER, RECOIL ASY			
15	+	P022-038140	1	STARTER CASE			
16	++	A510-000130	1	GUIDE, ROPE			
17	+	P022-036740	1	DRUM, STARTER			
18	+	P022-036750	1	PLATE, CAM			
19	+	P022-036760	1	SPRING, DAMPER			
20	+	P022-006250	1	SPRING, SPIRAL			
21	+	P022-004630	1	SCREW			
22	+	P022-036770	1	BOLT HSH			
23	+	P022-035130	1	ROPE			
24	+	P022-036780	1	GRIP, STARTER			
25	+	V450-001170	1	SPRING, COMPRESSION			

6. RECOIL STARTER, MAGNETO



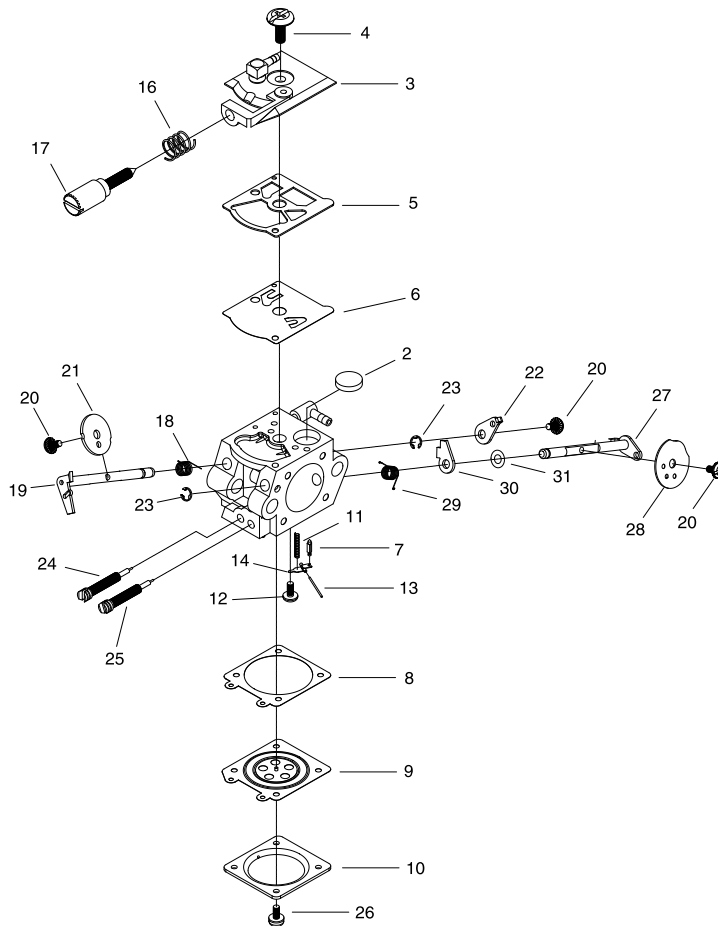
KEY	LV	PART NUMBER	Q'TY	DESCRIPTION	REMARKS	NOTE1	NOTE2
26	+	V376-001400	1	SPACER			
27		A172-001870	1	COVER,FAN			
28		V202-000200	4	BOLT			
29		V131-000190	1	GROMMET,NEEDLE			
30		X504-006450	1	LABEL,BRAND			
31		P021-036741	1	COIL, IGNITION			

7. AIR CLEANER



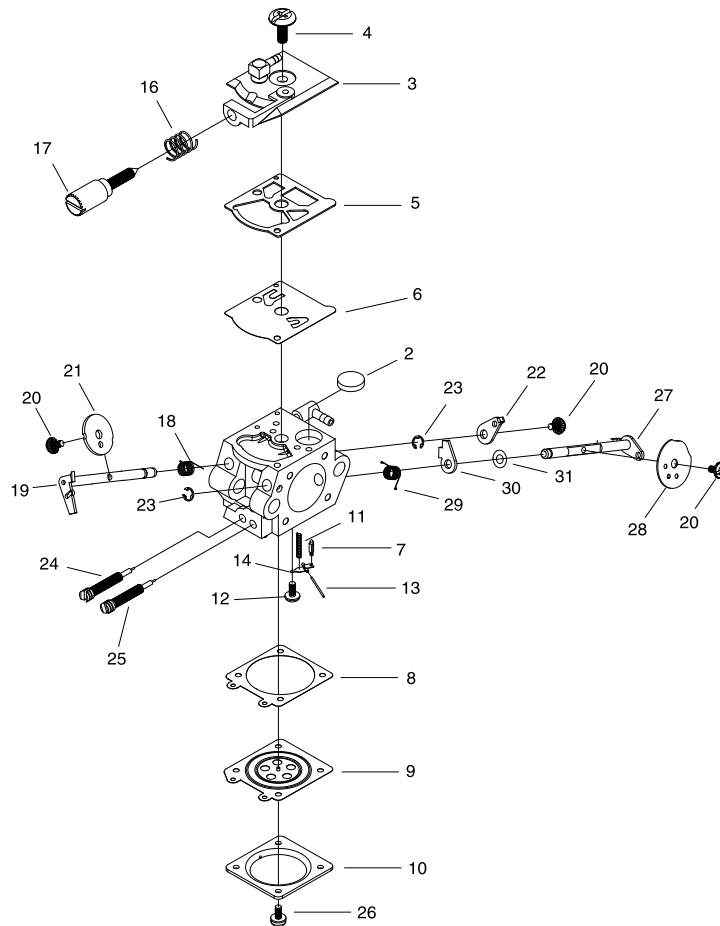
KEY	LV	PART NUMBER	Q'TY	DESCRIPTION	REMARKS	NOTE1	NOTE2
1		A021-003040	1	CABURETOR ASSY			
2		V471-002800	1	PIPE			
3		A226-001580	1	ELEMENT,AIR FILTER	250メッシュ		
4		A232-001520	1	LID,CLEANER			
5		A235-000270	1	KNOB,CLEANER LID			
6		A204-000220	1	ELBOW, CARBURETOR			
7		V581-000280	1	GASKET			
8		V202-000200	2	BOLT			
9		91100-05048	2	BOLT			
10		900600-00005	2	WASHER 5	5		
11		A240-000111	1	ROD, CHOKE			
12		V130-000131	1	GROMMET,CHOKE			
13		C454-000280	1	ROD,THROTTLE			
14		V133-000040	1	GROMMET			

8. CARBURETOR



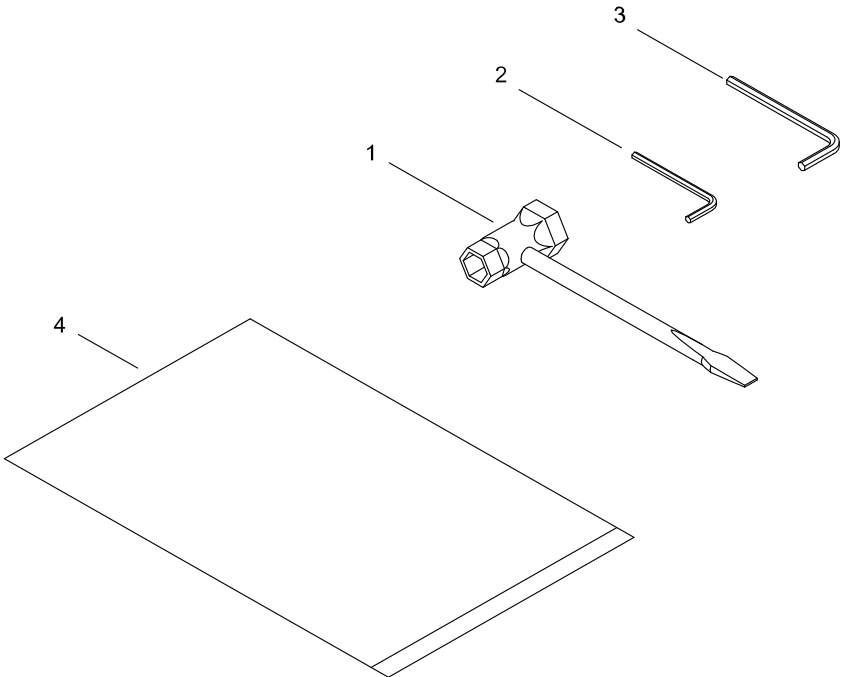
KEY	LV	PART NUMBER	Q'TY	DESCRIPTION	REMARKS	NOTE1	NOTE2
2		123126-10631	1	SCREEN, INLET			
3		P003-003360	1	COVER, PUMP			
4		123110-03930	1	SCREW, PUMP COVER			
5		123125-15030	1	GASKET, FUEL PUMP			
6		123112-15030	1	DIAPHRAGM, FUEL PUMP			
7		123137-19830	1	VALVE, INLET NEEDLE			
8		123140-03930	1	GASKET, M. DIAPHRAGM			
9		123141-03930	1	DIAPHRAGM, METERING			
10		123142-03930	1	COVER, M. DIAPHRAGM			
11		123122-03660	1	SPRING, METER. LEVER			
12		123139-03930	1	SCREW, M. LEVER PIN			
13		123138-03930	1	PIN, METERING LEVER			
14		123123-38330	1	LEVER, METERING			
16		123133-04260	1	SPRING, IDLE ADJUST			
17		P003-003650	1	IDEL SCREW			
18		123113-37530	1	SPRING, THROTTLE RTN			
19		P003-000480	1	SHAFT, THROTTLE			
20		123114-38830	3	SCREW			
21		P003-003240	1	VALVE, THROTTLE			
22		P003-003470	1	CONTROL, THROTTLE			
23		123127-15030	2	RING			
24		P003-004190	1	NEEDLE			
25		P003-004180	1	NEEDLE			
26		123130-02960	4	SCREW			
27		P003-003190	1	SHAFT			

8. CARBURETOR




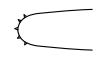
KEY	LV	PART NUMBER	Q'TY	DESCRIPTION	REMARKS	NOTE1	NOTE2
28		P003-000230	1	VALVE CHOKE			
29		P003-000140	1	SPRING			
30		P003-000430	1	LEVER-FAST IDLE			
31		123149-26030	1	WASHER			

9. ACCESSORIES



KEY	LV	PART NUMBER	Q'TY	DESCRIPTION	REMARKS	NOTE1	NOTE2
1		X602-000150	1	PLUG WRENCH			
2		X605-000090	1	HEXA WRENCH 4MM			
3		X605-000100	1	TOOL,L WRENCH	4MM M5		
4		X705-000130	1	POLY BAG			

10. GUIDE BAR, CHAIN

Pitch ピッチ	Gauge ゲージ	Length 長さ	Guide Bar ガイドバー		Saw Chain ソーチェーン		Hard Nose ハード ノーズ	Sprocket Nose スプロケット ノーズ
			Key №	Type 形式	Key №	Type 形式		
.325 8.26	0.058 1.47	33	A1	33RX58B-325SD	A2	21BPX-56E		
.325 8.26	0.058 1.47	38	B1	38RX58B-325SD	B2	21BPX-64E		●
.325 8.26	0.058 1.47	40	C1	40RX58B-325SD	C2	21BPX-66E		●
.325 8.26	0.058 1.47	45	D1	45RX58B-325SD	D2	21BPX-72E		●
.325 8.26	0.058 1.47	33	E1	33RD58-325SD	E2	21BPX-56E		●
.325 8.26	0.058 1.47	38	F1	38RD58-325SD	F2	21BPX-64E		●
.325 8.26	0.058 1.47	43	G1	43RD58-325SD	G2	21BPX-72E		●

KEY	LV	PART NUMBER	Q'TY	DESCRIPTION	REMARKS	NOTE1	NOTE2
A1		X122-000281	1	BAR,GUIDE 30	33RX58B-325SD		
A2		431713-30231	1	CHAIN, SAW 21BPX-56E	21BPX-56E		
B1		X123-000400	1	BAR,GUIDE 35	38RX58B-325SD		
B2		431721-30231	1	CHAIN, SAW	21BPX-64E		
C1		X124-000460	1	BAR,GUIDE 40	40RX58B-325SD		
C2		X244-000041	1	CHAIN,SAW 21BPX-66E	21BPX-66E		
D1		X125-000151	1	BAR,GUIDE 45	45RX58B-325SD		
D2		431717-30231	1	CHAIN, SAW	21BPX-72E		
E1		X122-000290	1	BAR,GUIDE 30	33RD58-325SD		
E2		431713-30231	1	CHAIN, SAW 21BPX-56E	21BPX-56E		
F1		X123-000410	1	BAR,GUIDE 35	38RD58-325SD		
F2		431721-30231	1	CHAIN, SAW	21BPX-64E		
G1		X125-000101	1	BAR,GUIDE 45	43RD58-325SD		
G2		431717-30231	1	CHAIN, SAW	21BPX-72E		

Index

Patrs Number	Key No.	Patrs Number	Key No.	Patrs Number	Key No.
123110-03930	8 - 4	93115-03010	6 - 6	C334-000200	5 - 31
123112-15030	8 - 6	A021-003040	7 - 1	C345-000580	5 - 39
123113-37530	8 - 18	A030-000510	1 - 9	C347-000010	5 - 34
123114-38830	8 - 20	A033-000220	3 - 15	C403-000530	3 - 13
123122-03660	8 - 11	A051-002331	6 - 14	C411-000130	3 - 12
123123-38330	8 - 14	A056-000610	5 - 5	C450-000641	3 - 9
123125-15030	8 - 5	A100-000870	4 - 2	C454-000280	7 - 13
123126-10631	8 - 2	A101-000530	4 - 3	C460-000310	3 - 11
123127-15030	8 - 23	A130-001644	1 - 1	J211-000430	5 - 42
123130-02960	8 - 26	A160-002361	3 - 1	P003-000140	8 - 29
123133-04260	8 - 16	A172-001870	6 - 27	P003-000230	8 - 28
123137-19830	8 - 7	A200-000852	1 - 7	P003-000430	8 - 30
123138-03930	8 - 13	A202-000150	1 - 5	P003-000480	8 - 19
123139-03930	8 - 12	A204-000220	7 - 6	P003-003190	8 - 27
123140-03930	8 - 8	A219-000040	3 - 2	P003-003240	8 - 21
123141-03930	8 - 9	A226-001580	7 - 3	P003-003360	8 - 3
123142-03930	8 - 10	A232-001520	7 - 4	P003-003470	8 - 22
123149-26030	8 - 31	A235-000270	7 - 5	P003-003650	8 - 17
131205-19832	3 - 18	A240-000111	7 - 11	P003-004180	8 - 25
131300-56431	3 - 21	A313-001460	1 - 11	P003-004190	8 - 24
159010-10230	6 - 12	A313-001530	1 - 10	P021-023110	5 - 44
175114-12530	5 - 2	A356-000130	2 - 4	P021-026681	4 - 8
431713-30231	10 - A2	A409-000901	6 - 1	P021-026922	5 - 19
431713-30231	10 - E2	A426-000040	6 - 9	P021-026933	5 - 35
431717-30231	10 - D2	A427-000060	6 - 10	P021-029870	4 - 1
431717-30231	10 - G2	A440-001920	2 - 20	P021-036741	6 - 31
431721-30231	10 - B2	A510-000130	6 - 16	P021-037400	2 - 19
431721-30231	10 - F2	A514-000220	6 - 2	P021-038783	2 - 1
437239-14730	2 - 8	A552-000230	5 - 7	P021-040402	3 - 6
890316-39131	5 - 54	A552-000240	5 - 9	P022-004630	6 - 21
890345-39231	3 - 29	A555-000210	5 - 6	P022-006250	6 - 20
900105-05012	5 - 18	A556-001121	5 - 1	P022-035130	6 - 23
900105-05018	1 - 3	C020-000040	2 - 17	P022-036740	6 - 17
900105-05018	2 - 12	C022-000121	5 - 45	P022-036750	6 - 18
900212-04008	2 - 23	C040-000570	3 - 4	P022-036760	6 - 19
900253-04008	5 - 22	C209-000070	5 - 47	P022-036770	6 - 22
900330-30120	5 - 32	C211-000010	5 - 49	P022-036780	6 - 24
900330-40080	5 - 36	C236-000060	5 - 50	P022-038140	6 - 15
900600-00005	2 - 16	C300-000681	5 - 20	V100-000540	1 - 2
900600-00005	7 - 10	C302-000030	5 - 23	V100-000540	4 - 7
900603-00004	2 - 22	C304-000130	5 - 17	V102-000162	2 - 10
900720-20007	6 - 11	C305-000260	5 - 21	V104-001581	1 - 13
91100-05048	7 - 9	C305-000411	5 - 15	V107-000070	3 - 16
91381-04010	5 - 28	C309-000110	5 - 12	V107-000090	2 - 18
91449-04022	3 - 14	C310-000110	2 - 13	V130-000131	7 - 12
91578-04006	1 - 12	C328-000210	5 - 25	V131-000190	6 - 29
93042-40100	5 - 29	C328-000220	5 - 26	V133-000040	7 - 14
93042-40220	3 - 8	C334-000180	5 - 27	V141-000100	2 - 27
93060-40250	3 - 7	C334-000190	5 - 30	V152-002430	5 - 13

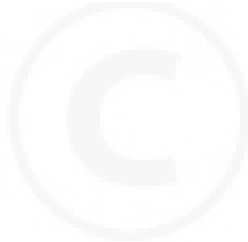
Index

Patrs Number	Key No.	Patrs Number	Key No.	Patrs Number	Key No.
V202-000200	1 - 8	V490-000500	3 - 19		
V202-000200	3 - 3	V490-000500	5 - 48		
V202-000200	6 - 28	V505-000140	2 - 3		
V202-000200	7 - 8	V508-000060	2 - 6		
V202-000260	3 - 24	V555-000140	4 - 6		
V202-000520	5 - 40	V555-000150	5 - 10		
V202-000520	5 - 51	V580-000110	4 - 5		
V202-000540	6 - 13	V581-000280	7 - 7		
V203-000370	2 - 15	V592-000290	2 - 5		
V203-001410	5 - 43	V592-000330	2 - 2		
V203-001450	2 - 11	V608-000050	4 - 4		
V203-001470	5 - 37	V629-000000	2 - 9		
V203-001480	3 - 27	V651-000790	5 - 14		
V203-001490	3 - 5	X122-000281	10 - A1		
V203-001540	1 - 14	X122-000290	10 - E1		
V204-000620	6 - 5	X123-000400	10 - B1		
V225-000150	2 - 7	X123-000410	10 - F1		
V252-000470	5 - 16	X124-000460	10 - C1		
V253-000610	5 - 11	X125-000101	10 - G1		
V265-000200	5 - 24	X125-000151	10 - D1		
V265-000211	4 - 9	X244-000041	10 - C2		
V265-000211	5 - 4	X490-000300	5 - 52		
V265-000220	6 - 7	X504-004190	5 - 53		
V266-000090	2 - 21	X504-006450	6 - 30		
V303-000320	5 - 41	X532-001141	3 - 28		
V304-000270	6 - 4	X602-000150	9 - 1		
V307-000451	5 - 3	X605-000090	9 - 2		
V353-000460	2 - 14	X605-000100	9 - 3		
V355-000460	2 - 24	X705-000130	9 - 4		
V359-000200	1 - 6				
V376-001400	6 - 26				
V401-000330	3 - 23				
V401-000340	3 - 25				
V420-002770	2 - 25				
V420-002780	2 - 26				
V420-002810	3 - 22				
V421-000070	3 - 26				
V450-001160	5 - 38				
V450-001170	6 - 25				
V451-000920	1 - 4				
V451-000930	5 - 8				
V452-000850	3 - 10				
V452-000860	5 - 33				
V452-000870	6 - 3				
V470-001520	3 - 17				
V470-001530	3 - 20				
V470-001840	5 - 46				
V471-002800	7 - 2				
V475-005180	6 - 8				

YAMABIKO CORPORATION

7-2 SUEHIROCHO 1-CHOME, OHME, TOKYO 198-8760, JAPAN
PHONE: 81-428-32-6118. FAX: 81-428-32-6145.

shindaiwa[®]



-13K
No. 446-166