

shindaiwa[®]

PARTS CATALOG

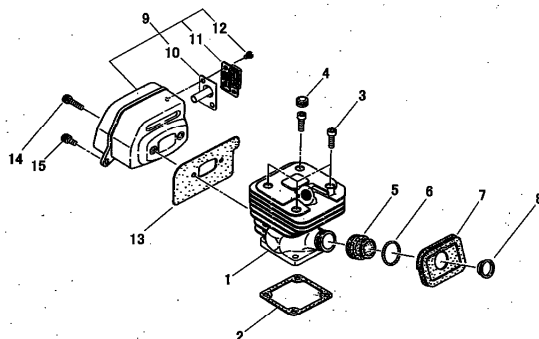
CHAIN SAW

488 EC1



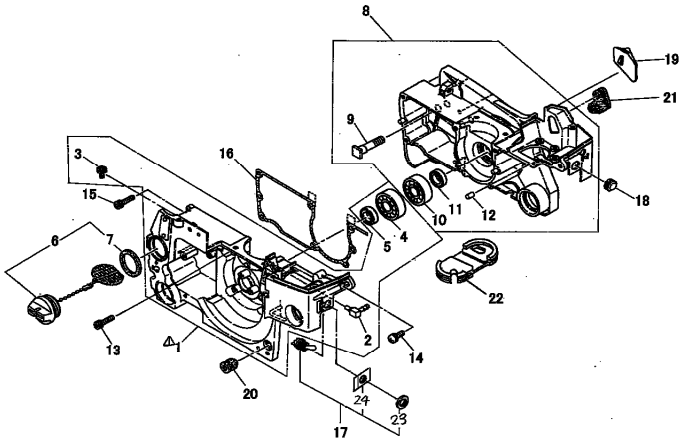
488 EC1

1. CYLINDER, MUFFLER



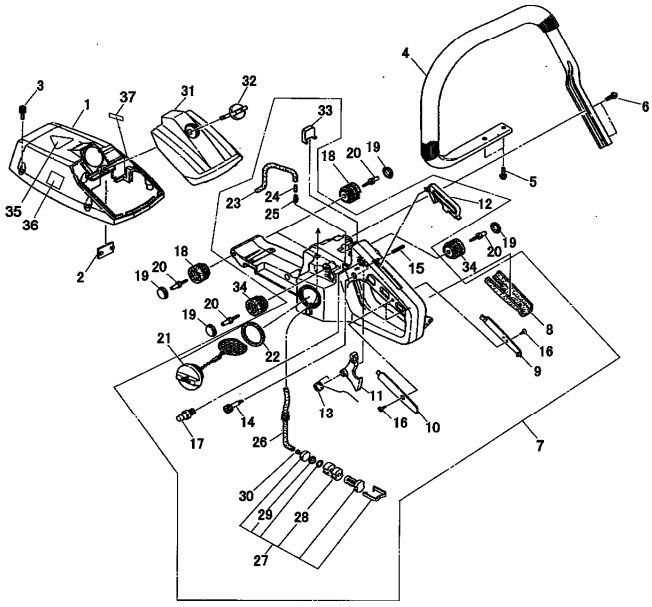
| KEY | LV | PART NUMBER | Q'TY | DESCRIPTION | REMARKS | NOTE1 | NOTE2 |
|-----|----|-------------|------|------------------|---------|-------|-------|
| 1 | | 22157-12110 | 1 | CYLINDER | | | |
| 2 | | 22160-12121 | 1 | GASKET CYLINDER | | | |
| 3 | | 22157-12130 | 4 | BOLT | | | |
| 4 | | 22160-22220 | 1 | PLUG SWITCH | | | |
| 5 | | 22160-12150 | 1 | BOOT | | | |
| 6 | | 22160-12160 | 1 | SPRING | | | |
| 7 | | 22160-12170 | 1 | SEAL | | | |
| 8 | | 22115-14140 | 1 | SLEEVE | | | |
| 9 | | 72312-15100 | 1 | MUFFLER SUB ASSY | | | |
| 10 | ▪ | 72312-15220 | 1 | SILENCER | | | |
| 11 | ▪ | 22160-15210 | 1 | TAIL PLATE | | | |
| 12 | ▪ | 11203-04060 | 2 | SCREW PM | | M4x6 | |
| 13 | | 22160-15311 | 1 | GASKET MUFFLER | | | |
| 14 | | 22157-12130 | 2 | BOLT | | M5x18 | |
| 15 | | 22157-15330 | 2 | BOLT | | M5x12 | |

2. CRANKCASE



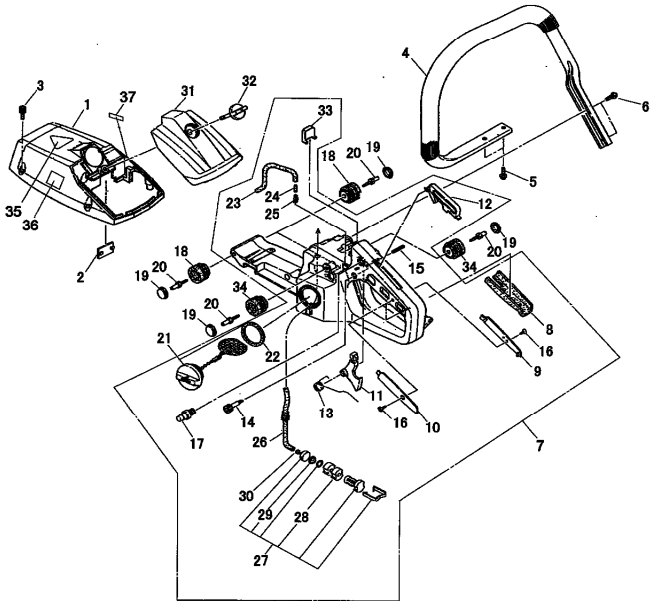
| KEY | LV | PART NUMBER | Q'TY | DESCRIPTION | REMARKS | NOTE1 | NOTE2 |
|-----|----|-------------|------|-------------------|---------|---------|-------|
| 1 | | 22160-21202 | 1 | CRANK CASE M COMP | | | |
| 2 | • | 22150-21220 | 1 | PULSE JOINT | | | |
| 3 | • | 22115-57120 | 1 | VALVE OIL TANK | | | |
| 4 | • | 12900-62010 | 1 | BEARING | | 6201,C3 | |
| 5 | • | 22150-21250 | 1 | SEAL,OIL | | | |
| 6 | | 22160-21302 | 1 | OIL CAP ASSY | | | |
| 7 | • | 22160-21351 | 1 | GASKET CAP | | | |
| 8 | | 22160-21502 | 1 | CRANK CASE C COMP | | | |
| 9 | • | 72312-21520 | 2 | BOLT BAR | | | |
| 10 | • | 12900-62010 | 1 | BEARING | | 6201,C3 | |
| 11 | • | 22150-21250 | 1 | SEAL,OIL | | | |
| 12 | • | 12492-50100 | 3 | ROLLER | | φ5xL10 | |
| 13 | | 22157-21750 | 4 | BOLT | | M5x30 | |
| 14 | | 22157-21760 | 1 | SCREW PM | | | |
| 15 | | 22157-12130 | 2 | BOLT | | M5x18 | |
| 16 | | 22160-21720 | 1 | GASKET CASE | | | |
| 17 | | 72365-21310 | 1 | SWITCH ASSY | | | |
| 18 | | 22160-22220 | 1 | PLUG SWITCH | | | |
| 19 | | 22160-22250 | 1 | STOPPER H | | | |
| 20 | | 22160-33730 | 1 | SUPPORTER | | | |
| 21 | | 69026-21310 | 1 | GROMMET | | | |
| 22 | | 72312-22260 | 1 | GROMMET A | | | |
| 23 | • | 22154-22130 | 1 | NUT | | | |
| 24 | • | 7236521320 | 1 | PLATE | | | |

3. COVER, HANDLE



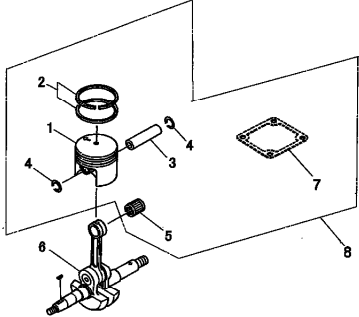
| KEY | LV | PART NUMBER | Q'TY | DESCRIPTION | REMARKS | NOTE1 | NOTE2 |
|-----|----|-------------|------|----------------------|---------|-------|-------|
| 1 | | 22160-31110 | 1 | CYLINDER COVER | | | |
| 2 | | 22160-31120 | 1 | PLUG | | | |
| 3 | | 22160-31150 | 3 | BOLT SW | | | |
| 4 | | 72311-32110 | 1 | FRONT HANDLE | | | |
| 5 | | 22160-32210 | 2 | SCREW PC | | | |
| 6 | | 22160-32220 | 2 | SCREW | M5*20 | | |
| 7 | | 22160-33104 | 1 | REAR HANDLE SUB ASSY | | | |
| 8 | • | 22160-33310 | 1 | GRIP | | | |
| 9 | • | 22160-33320 | 1 | PLATE R | | | |
| 10 | • | 22160-33330 | 1 | PLATE L | | | |
| 11 | • | 39309-32240 | 1 | THROTTLE LEVER | | | |
| 12 | • | 22160-33360 | 1 | LOCK LEVER | | | |
| 13 | • | 22160-33370 | 1 | SPRING LEVER | | | |
| 14 | • | 22160-33380 | 1 | BOLT LEVER | | | |
| 15 | • | 12420-40255 | 1 | SPRING PIN | | 4x25 | |
| 16 | • | 11202-40120 | 2 | SCREW HILO | | 4x12 | |
| 17 | • | 22160-33401 | 1 | STOPPER ASSY | | | |
| 18 | | 22160-33710 | 3 | CUSHION 27 | | | |
| 19 | | 22160-33720 | 5 | PLUG 27 | | | |
| 20 | | 22160-33770 | 5 | BOLT | | | |
| 21 | • | 22160-33801 | 1 | CAP ASSY | | | |
| 22 | • | 22160-33821 | 1 | GASKET | | | |
| 23 | • | 22160-33910 | 1 | PIPE BREATHER | | | |
| 24 | • | 22157-33950 | 1 | ELEMENT | | | |
| 25 | • | 22160-33920 | 1 | SPRING | | | |
| 26 | • | 22160-34110 | 1 | FUEL PIPE | | | |

3. COVER, HANDLE



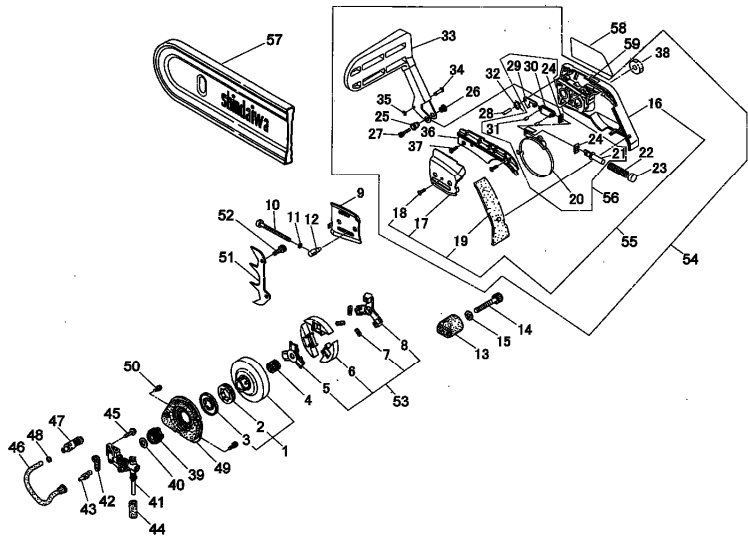
| KEY | LV | PART NUMBER | Q'TY | DESCRIPTION | REMARKS | NOTE1 | NOTE2 |
|-----|-----|-------------|------|--------------------|---------|----------|-------|
| 27 | • | 22115-85401 | 1 | FUEL FILTER | | | |
| 28 | • • | 22128-85421 | 2 | ELEMENT, STRAINER | | | |
| 29 | • • | 22118-85460 | 2 | ELEMENT | | | |
| 30 | • | 20020-85540 | 1 | CLIP | | | |
| 31 | | 22157-82510 | 1 | CLEANER COVER | | | |
| 32 | | 22155-82520 | 1 | KNOB CLEANER COVER | | | |
| 33 | • | 22160-33590 | 1 | STOPPER R | | | |
| 34 | | 22160-97810 | 2 | CUSHION 27 | | | |
| 35 | | 19402-00083 | 1 | LABEL CAUTION | | PL | |
| 36 | | 19404-00036 | 1 | LABEL DECIBEL | | 111dB(A) | |
| 37 | | 19401-00094 | 1 | LABEL INST | | | |

4. PISTON, CRANKSHAFT



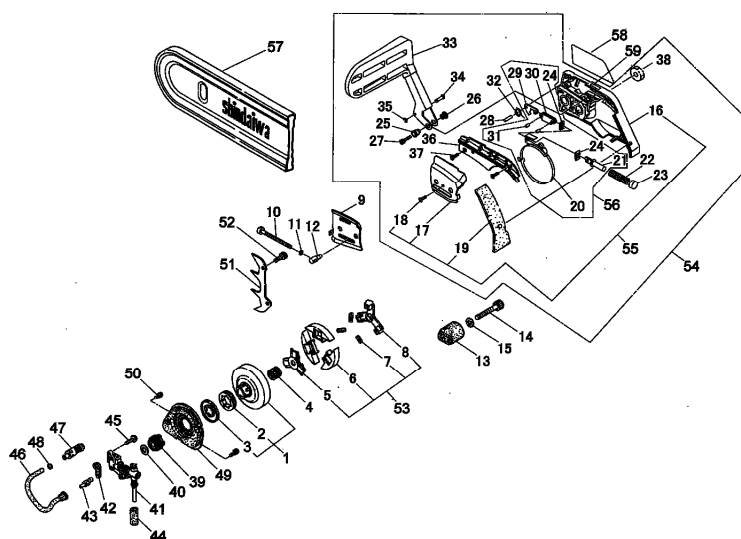
| KEY | LV | PART NUMBER | Q'TY | DESCRIPTION | REMARKS | NOTE1 | NOTE2 |
|-----|----|-------------|------|-----------------|---------|-------|-------|
| 1 | • | 22157-41112 | 1 | PISTON | | | |
| 2 | • | 22157-41210 | 2 | PISTON RING | | | |
| 3 | • | 22157-41220 | 1 | PISTON PIN | | | |
| 4 | • | 22100-41230 | 2 | SNAP RING | | | |
| 5 | • | 22160-41240 | 1 | BEARING | | | |
| 6 | | 22160-42002 | 1 | CRANK SHAFT | | | |
| 7 | • | 22160-12121 | 1 | GASKET CYLINDER | | | |
| 8 | | 72365-98011 | 1 | PISTON SET | | | |

5. CLUTCH, CLUTCH COVER



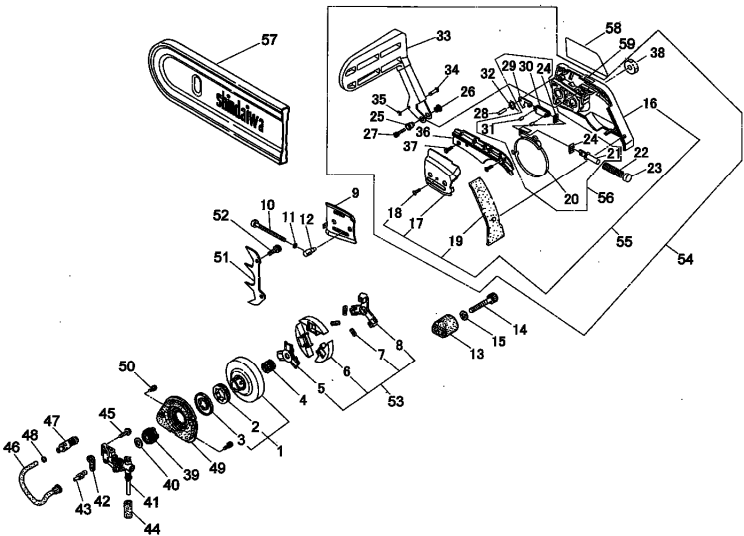
| KEY | LV | PART NUMBER | Q'TY | DESCRIPTION | REMARKS | NOTE1 | NOTE2 |
|-----|----|-------------|------|------------------|---------|-------|-------|
| 1 | | 22160-51501 | 1 | CLUTCH DRUM ASSY | | | |
| 2 | ▪ | 22131-98120 | 1 | RIM | | | |
| 3 | ▪ | 22160-51530 | 1 | COVER | | | |
| 4 | | 22100-51310 | 1 | NEEDLE BEARING | | | |
| 5 | ▪ | 22160-51210 | 1 | CLUTCH BOSS A | | | |
| 6 | ▪ | 72346-51220 | 3 | CLUTCH SHOE | | | |
| 7 | ▪ | 72346-51311 | 3 | CLUTCH SPRING | | | |
| 8 | ▪ | 22160-51240 | 1 | CLUTCH BOSS B | | | |
| 9 | | 72316-54150 | 1 | GUIDE PLATE C | | | |
| 10 | | 72316-53310 | 1 | SLIDE SCREW | | | |
| 11 | | 72316-53320 | 1 | SNAP RING | | | |
| 12 | | 22150-52440 | 1 | TENSIONER,CHAIN | | | |
| 13 | | 22160-52511 | 1 | CATCHER,CHAIN | | | |
| 14 | | 22155-12190 | 1 | BOLT | | | |
| 15 | | 01611-05100 | 1 | WASHER | | 5mm | |
| 16 | ▪ | 72346-54112 | 1 | CLUTCH COVER | | | |
| 17 | ▪ | 72316-54160 | 1 | GUIDE PLATE D | | | |
| 18 | ▪ | 01270-04082 | 1 | SCREW TAPPING | | 4x8 | |
| 19 | ▪ | 72316-54171 | 1 | PROTECTOR | | | |
| 20 | ▪ | 72345-54210 | 1 | BRAKE BAND | | | |
| 21 | ▪ | 72316-54220 | 1 | HOLDER SPRING | | | |
| 22 | ▪ | 17500-14002 | 1 | COIL SPRING | | | |
| 23 | ▪ | 72316-54240 | 1 | STOPPER | | | |
| 24 | ▪ | 72316-54310 | 2 | ADJUST PLATE | | | |
| 25 | ▪ | 72316-54520 | 1 | HOLDER | | | |
| 26 | ▪ | 72316-54530 | 1 | NUT LEVER | | | |

5. CLUTCH, CLUTCH COVER



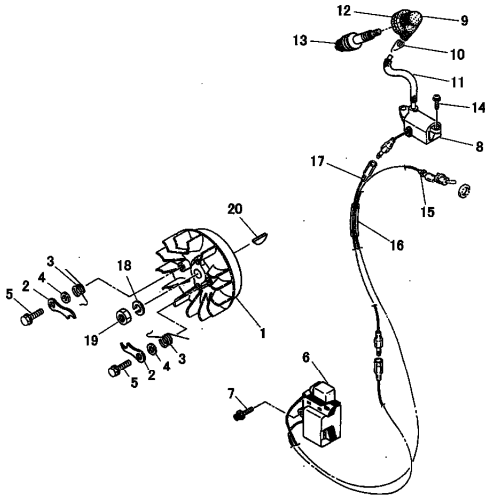
| KEY | LV | PART NUMBER | Q'TY | DESCRIPTION | REMARKS | NOTE1 | NOTE2 |
|-----|----|-------------|------|---------------------|---------|--------------|-------|
| 27 | • | 01020-04120 | 1 | BOLT | | M4x12 | |
| 28 | • | 12492-40140 | 1 | ROLLER | | N4X13.8F6 C3 | |
| 29 | • | 22173-54561 | 1 | INNER LEVER | | | |
| 30 | • | 72316-54570 | 1 | TIE STRAP | | | |
| 31 | • | 12492-40080 | 2 | ROLLER | | E4X8F6 C3 | |
| 32 | • | 72316-54580 | 1 | SPRING LEVER | | | |
| 33 | • | 72316-54511 | 1 | LEVER | | | |
| 34 | • | 72316-54540 | 1 | PIN LEVER | | | |
| 35 | • | 02434-30060 | 1 | SNAP RING | | 3mm E | |
| 36 | • | 72345-54611 | 1 | COVER | | | |
| 37 | • | 01270-04122 | 2 | SCREW TAPPING | | 4x12 | |
| 38 | | 22154-52410 | 2 | NUT | | | |
| 39 | | 22154-55110 | 1 | GEAR | | | |
| 40 | | 22154-55120 | 1 | THRUST PLATE | | | |
| 41 | | 22160-55200 | 1 | OIL PUMP ASSY | | | |
| 42 | | 22150-55411 | 1 | GASKET PUMP | | | |
| 43 | | 22160-55420 | 1 | ELBOW | | | |
| 44 | | 22155-55430 | 1 | FILTER | | | |
| 45 | | 11205-04160 | 2 | SCREW PM | | M4x16 | |
| 46 | | 22160-55310 | 1 | OIL PIPE | | | |
| 47 | | 22169-57360 | 1 | OIL FILTER | | | |
| 48 | | 22100-57370 | 1 | CRIP OIL FILTER | | | |
| 49 | | 22160-56100 | 1 | PUMP COVER SUB ASSY | | | |
| 50 | | 22160-56150 | 4 | SCREW PM SW | | | |
| 51 | | 22160-52530 | 1 | SPIKE | | | |
| 52 | | 22157-15330 | 2 | BOLT | | | |

5. CLUTCH, CLUTCH COVER



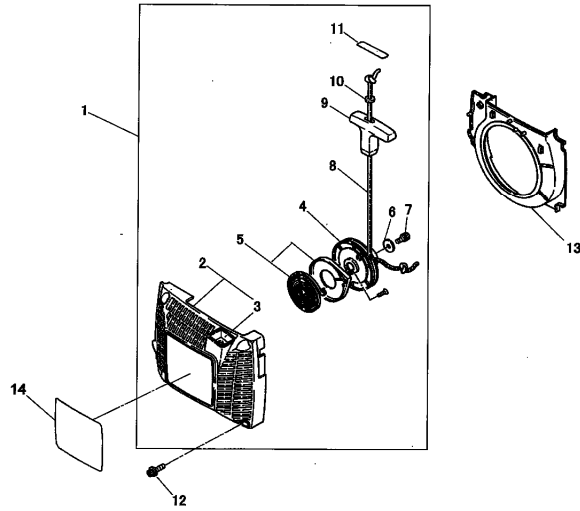
| KEY | LV | PART NUMBER | Q'TY | DESCRIPTION | REMARKS | NOTE1 | NOTE2 |
|-----|----|-------------|------|----------------------|---------|-------|-------|
| 53 | | 72346-51202 | 1 | CLUTCH ASSY | | | |
| 54 | | 69026-53011 | 1 | CLUTCH COVER SUBASSY | | | |
| 55 | • | 72346-54192 | 1 | CLUTCH COVER SUBASSY | | | |
| 56 | • | 39020-53320 | 1 | BRAKE BAND COMP | | | |
| 57 | | 19600-69900 | 1 | CHAIN COVER | | 500mm | |
| 58 | | 69026-91331 | 1 | LABEL TRADE | | | |
| 59 | | 19401-00093 | 1 | LABEL INST | | | |

6. MAGNETO



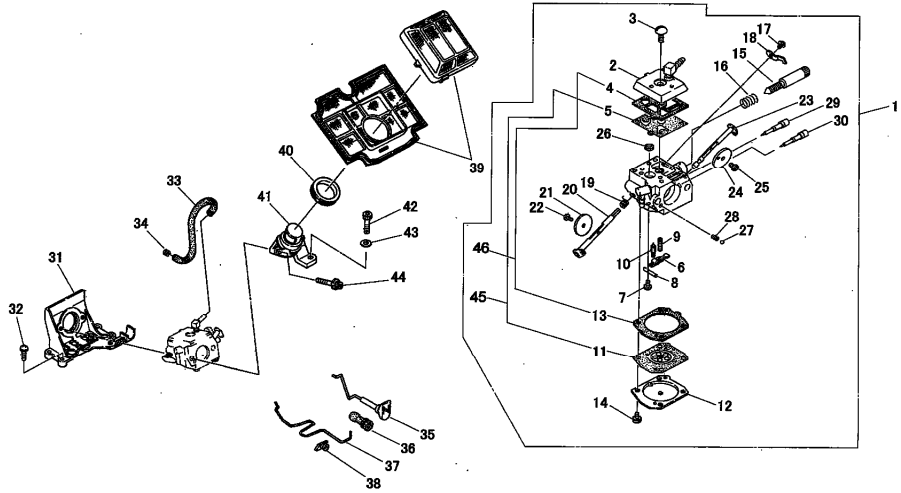
| KEY | LV | PART NUMBER | Q'TY | DESCRIPTION | REMARKS | NOTE1 | NOTE2 |
|-----|----|-------------|------|---------------------|---------|--------|-------|
| 1 | | 22160-71110 | 1 | ROTOR | | | |
| 2 | | 22100-71410 | 2 | RATCHET | | | |
| 3 | | 22100-71420 | 2 | SPRING RATCHET | | | |
| 4 | | 22100-71430 | 2 | WASHER | | | |
| 5 | | 22140-71440 | 2 | BOLT | | | |
| 6 | | 22160-71511 | 1 | EXCITE COIL | | | |
| 7 | | 11024-04200 | 2 | BOLT SW | | M4x20 | |
| 8 | | 22160-71702 | 1 | IGNITION COIL | | | |
| 9 | | 22160-72220 | 1 | PLUG CAP | | | |
| 10 | | 22154-72230 | 1 | TERMINAL, SPARKPLUG | | | |
| 11 | | 22160-72240 | 1 | TUBE | | | |
| 12 | | 22160-72260 | 1 | COVER, CAP | | | |
| 13 | | 13000-13507 | 1 | SPARK PLUG BPMR7A | | BPMR7A | |
| 14 | | 11205-04160 | 2 | SCREW PM | | M4x16 | |
| 15 | | 22160-71520 | 1 | CORD | | | |
| 16 | | 22160-71530 | 1 | TUBE | | | |
| 17 | | 22160-71750 | 1 | CORD | | | |
| 18 | | 01600-08201 | 1 | SPRING WASHER | | 8mm | |
| 19 | | 22100-43231 | 1 | NUT | | | |
| 20 | | 02403-03100 | 1 | KEY | 3*10 | 3x10 | |

7. RECOIL STARTER



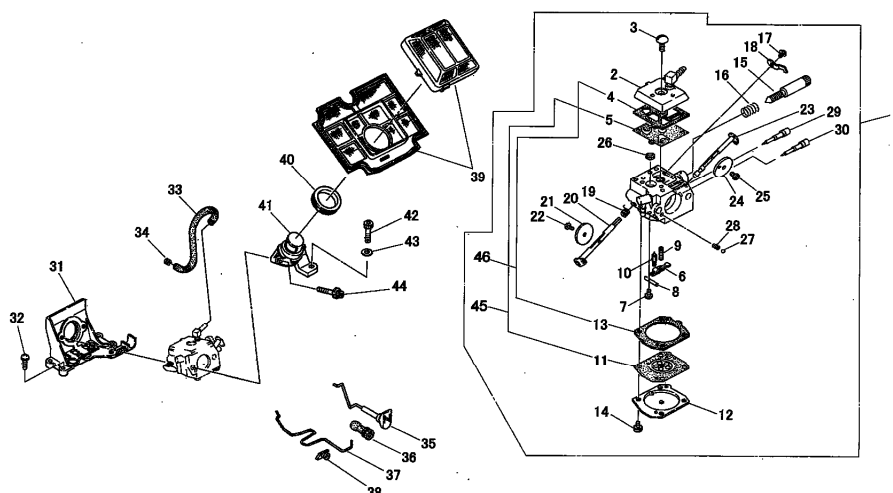
| KEY | LV | PART NUMBER | Q'TY | DESCRIPTION | REMARKS | NOTE1 | NOTE2 |
|-----|----|-------------|------|----------------|---------|-------|-------|
| 1 | | 22160-75100 | 1 | RECOIL STARETR | | | |
| 2 | • | 22160-75210 | 1 | RECOIL CASE | | | |
| 3 | • | 22160-75220 | 1 | ROPE GUIDE | | | |
| 4 | • | 22160-75310 | 1 | REEL | | | |
| 5 | • | 22160-75410 | 1 | RECOIL SPRING | | | |
| 6 | • | 22160-75450 | 1 | WASHER | | | |
| 7 | • | 01020-05120 | 1 | BOLT | M5*12 | M5x12 | |
| 8 | • | 22160-75510 | 1 | ROPE | | | |
| 9 | • | 22150-75520 | 1 | KNOB RECOIL | | | |
| 10 | • | 22150-75530 | 1 | STOPPER KNOB | | | |
| 11 | • | 20010-75230 | 1 | TAPE | | | |
| 12 | | 11060-04163 | 4 | BOLT | | M4x16 | |
| 13 | | 22160-75613 | 1 | AIR PLATE | | | |
| 14 | | 69026-91321 | 1 | LABEL TRADE | | | |

8. CARBURETOR



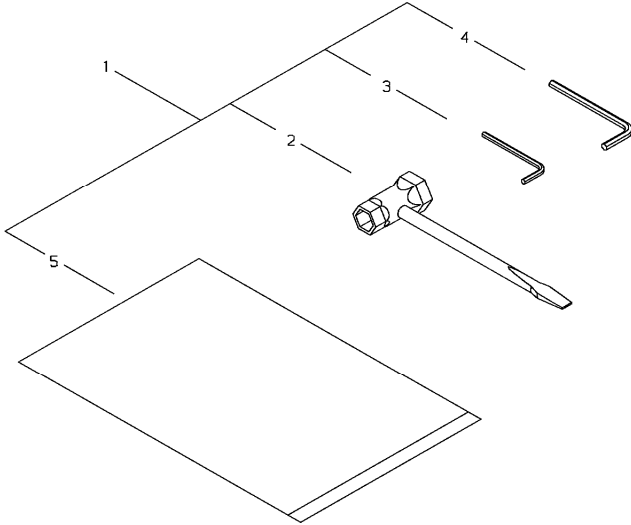
| KEY | LV | PART NUMBER | Q'TY | DESCRIPTION | REMARKS | NOTE1 | NOTE2 |
|-----|----|-------------|------|----------------------|---------|-------|-------|
| 1 | | 69026-81010 | 1 | CARBURETOR ASSY | | | |
| 2 | ▪ | 72365-81120 | 1 | PUMP COVER ASSY | | | |
| 3 | ▪ | 22100-81130 | 1 | SCREW | | | |
| 4 | ▪ | 22150-81140 | 1 | GASKET PUMP | | | |
| 5 | ▪ | 22150-81150 | 1 | DIAPHRAGM PUMP | | | |
| 6 | ▪ | 22160-81230 | 1 | LEVER | | | |
| 7 | ▪ | 22100-81240 | 1 | SCREW | | | |
| 8 | ▪ | 22100-81250 | 1 | PIN | | | |
| 9 | ▪ | 72342-81270 | 1 | SPRING, METER. LEVER | | | |
| 10 | ▪ | 20036-81440 | 1 | VALVE | | | |
| 11 | ▪ | 22150-81260 | 1 | DIAPHRAGM ASSY | | | |
| 12 | ▪ | 22150-81280 | 1 | COVER DAIPHFRAGM | | | |
| 13 | ▪ | 22150-81290 | 1 | GASKET DIAPHRAGM | | | |
| 14 | ▪ | 22100-81351 | 4 | SCREW | | | |
| 15 | ▪ | 22156-81410 | 1 | IDLE SCREW | | | |
| 16 | ▪ | 22156-81420 | 1 | SPRING, IDLE ADJUST | | | |
| 17 | ▪ | 20803-81150 | 1 | SCREW | | | |
| 18 | ▪ | 22160-81390 | 1 | STOPPER | | | |
| 19 | ▪ | 22150-81430 | 1 | RETURN SPRING | | | |
| 20 | ▪ | 22160-81371 | 1 | SHAFT ASSY | | | |
| 21 | ▪ | 22100-81340 | 1 | THROTTLE VALVE | | | |
| 22 | ▪ | 20803-81140 | 1 | SCREW | | | |
| 23 | ▪ | 22160-81740 | 1 | SHAFT ASSY | | | |
| 24 | ▪ | 22160-81710 | 1 | CHOKE VALVE | | | |
| 25 | ▪ | 20803-81150 | 1 | SCREW | | | |
| 26 | ▪ | 70030-81380 | 1 | SCREEN | | | |

8. CARBURETOR



| KEY | LV | PART NUMBER | Q'TY | DESCRIPTION | REMARKS | NOTE1 | NOTE2 |
|-----|----|-------------|------|------------------|---------|-------|-------|
| 27 | • | 22150-81720 | 1 | BALL | | | |
| 28 | • | 22150-81730 | 1 | SPRING | | | |
| 29 | • | 69022-81320 | 1 | NEEDLE | | | |
| 30 | • | 69026-81330 | 1 | NEEDLE | | | |
| 31 | | 22160-82111 | 1 | MOUNT | | | |
| 32 | | 11024-04160 | 4 | BOLT SLPW | | M4x16 | |
| 33 | | 22160-82210 | 1 | PULSE PIPE | | | |
| 34 | | 22150-82140 | 1 | CLIP,PULSE | | | |
| 35 | | 22160-82311 | 1 | CHOKE ROD | | | |
| 36 | | 22160-82321 | 1 | GROMMET CHOKE | | | |
| 37 | | 22160-82353 | 1 | THROTTLE ROD | | | |
| 38 | | 22160-82360 | 1 | GROMMET ROD | | | |
| 39 | | 22173-82401 | 1 | AIR CLEANER COMP | | | |
| 40 | | 22157-82431 | 1 | GROMMET CLEANER | | | |
| 41 | | 22157-82451 | 1 | ELBOW CARBURETOR | | | |
| 42 | | 22157-12130 | 1 | BOLT | | | |
| 43 | | 01613-05080 | 1 | WASHER | | 5mm | |
| 44 | | 11022-05500 | 2 | BOLT SPW | | M5x50 | |
| 45 | | 22150-81940 | 1 | DIAPHRAGM KIT | | | |
| 46 | | 22150-81930 | 1 | GASKET KIT | | | |

9. TOOL



| KEY | LV | PART NUMBER | Q'TY | DESCRIPTION | REMARKS | NOTE1 | NOTE2 |
|-----|----|-------------|------|-----------------|---------|--------------|-------|
| 1 | | 69023-92310 | 1 | TOOL SET | | | |
| 2 | • | 22000-91181 | 1 | PLUG WRENCH | | | |
| 3 | • | 09026-03001 | 1 | HEXA WRENCH 4MM | | 3mm M4 | |
| 4 | • | 09026-04001 | 1 | HEXA WRENCH | 4MM M5㉿ | 4mm M5 | |
| 5 | • | 19639-01100 | 1 | POLY BAG | | 0.04*175*115 | |

Index

| Patrs Number | Key No. | Patrs Number | Key No. | Patrs Number | Key No. |
|---------------------|----------------|---------------------|----------------|---------------------|----------------|
| 01020-04120 | 5 - 27 | 22100-81250 | 8 - 8 | 22157-41210 | 4 - 2 |
| 01020-05120 | 7 - 7 | 22100-81340 | 8 - 21 | 22157-41220 | 4 - 3 |
| 01270-04082 | 5 - 18 | 22100-81351 | 8 - 14 | 22157-82431 | 8 - 40 |
| 01270-04122 | 5 - 37 | 22115-14140 | 1 - 8 | 22157-82451 | 8 - 41 |
| 01600-08201 | 6 - 18 | 22115-57120 | 2 - 3 | 22157-82510 | 3 - 31 |
| 01611-05100 | 5 - 15 | 22115-85401 | 3 - 27 | 22160-12121 | 1 - 2 |
| 01613-05080 | 8 - 43 | 22118-85460 | 3 - 29 | 22160-12121 | 4 - 7 |
| 02403-03100 | 6 - 20 | 22128-85421 | 3 - 28 | 22160-12150 | 1 - 5 |
| 02434-30060 | 5 - 35 | 22131-98120 | 5 - 2 | 22160-12160 | 1 - 6 |
| 09026-03001 | 9 - 3 | 22140-71440 | 6 - 5 | 22160-12170 | 1 - 7 |
| 09026-04001 | 9 - 4 | 22150-21220 | 2 - 2 | 22160-15210 | 1 - 11 |
| 11022-05500 | 8 - 44 | 22150-21250 | 2 - 5 | 22160-15311 | 1 - 13 |
| 11024-04160 | 8 - 32 | 22150-21250 | 2 - 11 | 22160-21202 | 2 - 1 |
| 11024-04200 | 6 - 7 | 22150-52440 | 5 - 12 | 22160-21302 | 2 - 6 |
| 11060-04163 | 7 - 12 | 22150-55411 | 5 - 42 | 22160-21351 | 2 - 7 |
| 11202-40120 | 3 - 16 | 22150-75520 | 7 - 9 | 22160-21502 | 2 - 8 |
| 11203-04060 | 1 - 12 | 22150-75530 | 7 - 10 | 22160-21720 | 2 - 16 |
| 11205-04160 | 5 - 45 | 22150-81140 | 8 - 4 | 22160-22220 | 1 - 4 |
| 11205-04160 | 6 - 14 | 22150-81150 | 8 - 5 | 22160-22220 | 2 - 18 |
| 12420-40255 | 3 - 15 | 22150-81260 | 8 - 11 | 22160-22250 | 2 - 19 |
| 12492-40080 | 5 - 31 | 22150-81280 | 8 - 12 | 22160-31110 | 3 - 1 |
| 12492-40140 | 5 - 28 | 22150-81290 | 8 - 13 | 22160-31120 | 3 - 2 |
| 12492-50100 | 2 - 12 | 22150-81430 | 8 - 19 | 22160-31150 | 3 - 3 |
| 12900-62010 | 2 - 4 | 22150-81720 | 8 - 27 | 22160-32210 | 3 - 5 |
| 12900-62010 | 2 - 10 | 22150-81730 | 8 - 28 | 22160-32220 | 3 - 6 |
| 13000-13507 | 6 - 13 | 22150-81930 | 8 - 46 | 22160-33104 | 3 - 7 |
| 17500-14002 | 5 - 22 | 22150-81940 | 8 - 45 | 22160-33310 | 3 - 8 |
| 19401-00093 | 5 - 59 | 22150-82140 | 8 - 34 | 22160-33320 | 3 - 9 |
| 19401-00094 | 3 - 37 | 22154-22130 | 2 - 23 | 22160-33330 | 3 - 10 |
| 19402-00083 | 3 - 35 | 22154-52410 | 5 - 38 | 22160-33360 | 3 - 12 |
| 19404-00036 | 3 - 36 | 22154-55110 | 5 - 39 | 22160-33370 | 3 - 13 |
| 19600-69900 | 5 - 57 | 22154-55120 | 5 - 40 | 22160-33380 | 3 - 14 |
| 19639-01100 | 9 - 5 | 22154-72230 | 6 - 10 | 22160-33401 | 3 - 17 |
| 20010-75230 | 7 - 11 | 22155-12190 | 5 - 14 | 22160-33590 | 3 - 33 |
| 20020-85540 | 3 - 30 | 22155-55430 | 5 - 44 | 22160-33710 | 3 - 18 |
| 20036-81440 | 8 - 10 | 22155-82520 | 3 - 32 | 22160-33720 | 3 - 19 |
| 20803-81140 | 8 - 22 | 22156-81410 | 8 - 15 | 22160-33730 | 2 - 20 |
| 20803-81150 | 8 - 17 | 22156-81420 | 8 - 16 | 22160-33770 | 3 - 20 |
| 20803-81150 | 8 - 25 | 22157-12110 | 1 - 1 | 22160-33801 | 3 - 21 |
| 22000-91181 | 9 - 2 | 22157-12130 | 1 - 3 | 22160-33821 | 3 - 22 |
| 22100-41230 | 4 - 4 | 22157-12130 | 1 - 14 | 22160-33910 | 3 - 23 |
| 22100-43231 | 6 - 19 | 22157-12130 | 2 - 15 | 22160-33920 | 3 - 25 |
| 22100-51310 | 5 - 4 | 22157-12130 | 8 - 42 | 22160-34110 | 3 - 26 |
| 22100-57370 | 5 - 48 | 22157-15330 | 1 - 15 | 22160-41240 | 4 - 5 |
| 22100-71410 | 6 - 2 | 22157-15330 | 5 - 52 | 22160-42002 | 4 - 6 |
| 22100-71420 | 6 - 3 | 22157-21750 | 2 - 13 | 22160-51210 | 5 - 5 |
| 22100-71430 | 6 - 4 | 22157-21760 | 2 - 14 | 22160-51240 | 5 - 8 |
| 22100-81130 | 8 - 3 | 22157-33950 | 3 - 24 | 22160-51501 | 5 - 1 |
| 22100-81240 | 8 - 7 | 22157-41112 | 4 - 1 | 22160-51530 | 5 - 3 |

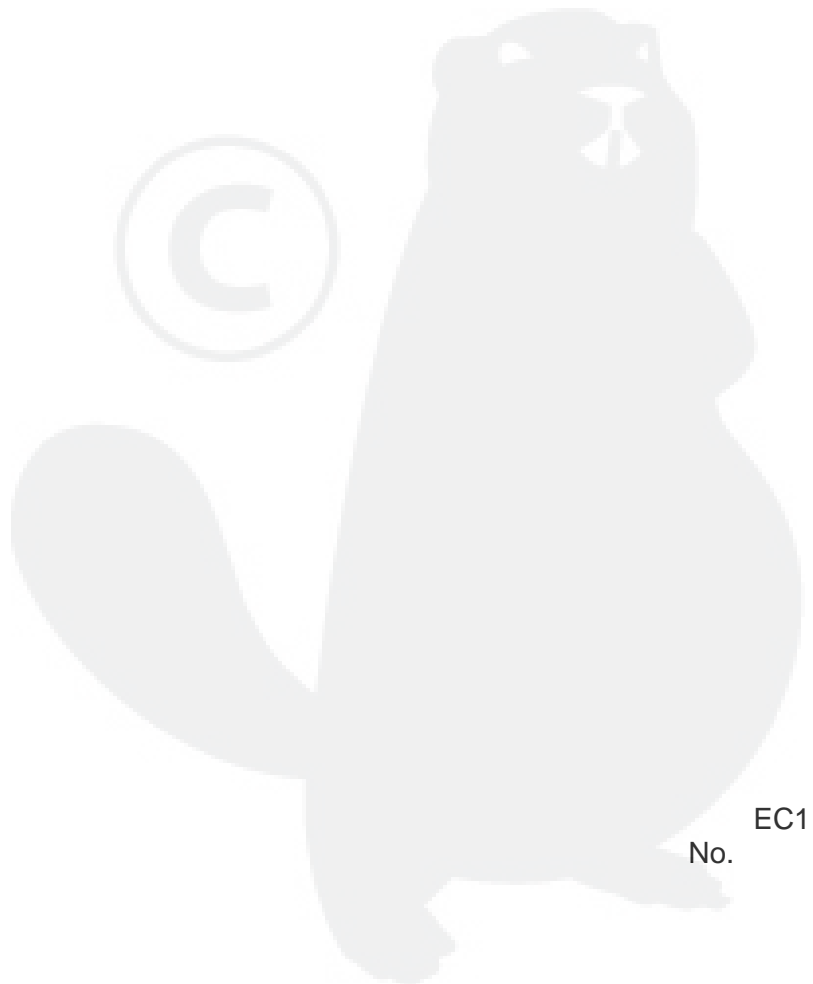
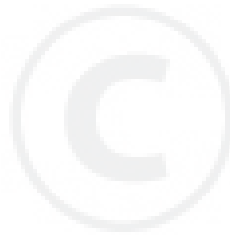
Index

| Patrs Number | Key No. | Patrs Number | Key No. | Patrs Number | Key No. |
|---------------------|----------------|---------------------|----------------|---------------------|----------------|
| 22160-52511 | 5 - 13 | 70030-81380 | 8 - 26 | | |
| 22160-52530 | 5 - 51 | 72311-32110 | 3 - 4 | | |
| 22160-55200 | 5 - 41 | 72312-15100 | 1 - 9 | | |
| 22160-55310 | 5 - 46 | 72312-15220 | 1 - 10 | | |
| 22160-55420 | 5 - 43 | 72312-21520 | 2 - 9 | | |
| 22160-56100 | 5 - 49 | 72312-22260 | 2 - 22 | | |
| 22160-56150 | 5 - 50 | 72316-53310 | 5 - 10 | | |
| 22160-71110 | 6 - 1 | 72316-53320 | 5 - 11 | | |
| 22160-71511 | 6 - 6 | 72316-54150 | 5 - 9 | | |
| 22160-71520 | 6 - 15 | 72316-54160 | 5 - 17 | | |
| 22160-71530 | 6 - 16 | 72316-54171 | 5 - 19 | | |
| 22160-71702 | 6 - 8 | 72316-54220 | 5 - 21 | | |
| 22160-71750 | 6 - 17 | 72316-54240 | 5 - 23 | | |
| 22160-72220 | 6 - 9 | 72316-54310 | 5 - 24 | | |
| 22160-72240 | 6 - 11 | 72316-54511 | 5 - 33 | | |
| 22160-72260 | 6 - 12 | 72316-54520 | 5 - 25 | | |
| 22160-75100 | 7 - 1 | 72316-54530 | 5 - 26 | | |
| 22160-75210 | 7 - 2 | 72316-54540 | 5 - 34 | | |
| 22160-75220 | 7 - 3 | 72316-54570 | 5 - 30 | | |
| 22160-75310 | 7 - 4 | 72316-54580 | 5 - 32 | | |
| 22160-75410 | 7 - 5 | 72342-81270 | 8 - 9 | | |
| 22160-75450 | 7 - 6 | 72345-54210 | 5 - 20 | | |
| 22160-75510 | 7 - 8 | 72345-54611 | 5 - 36 | | |
| 22160-75613 | 7 - 13 | 72346-51202 | 5 - 53 | | |
| 22160-81230 | 8 - 6 | 72346-51220 | 5 - 6 | | |
| 22160-81371 | 8 - 20 | 72346-51311 | 5 - 7 | | |
| 22160-81390 | 8 - 18 | 72346-54112 | 5 - 16 | | |
| 22160-81710 | 8 - 24 | 72346-54192 | 5 - 55 | | |
| 22160-81740 | 8 - 23 | 72365-21310 | 2 - 17 | | |
| 22160-82111 | 8 - 31 | 7236521320 | 2 - 24 | | |
| 22160-82210 | 8 - 33 | 72365-81120 | 8 - 2 | | |
| 22160-82311 | 8 - 35 | 72365-98011 | 4 - 8 | | |
| 22160-82321 | 8 - 36 | | | | |
| 22160-82353 | 8 - 37 | | | | |
| 22160-82360 | 8 - 38 | | | | |
| 22160-97810 | 3 - 34 | | | | |
| 22169-57360 | 5 - 47 | | | | |
| 22173-54561 | 5 - 29 | | | | |
| 22173-82401 | 8 - 39 | | | | |
| 39020-53320 | 5 - 56 | | | | |
| 39309-32240 | 3 - 11 | | | | |
| 69022-81320 | 8 - 29 | | | | |
| 69023-92310 | 9 - 1 | | | | |
| 69026-21310 | 2 - 21 | | | | |
| 69026-53011 | 5 - 54 | | | | |
| 69026-81010 | 8 - 1 | | | | |
| 69026-81330 | 8 - 30 | | | | |
| 69026-91321 | 7 - 14 | | | | |
| 69026-91331 | 5 - 58 | | | | |

YAMABIKO CORPORATION

7-2 SUEHIROCHO 1-CHOME, OHME, TOKYO 198-8760, JAPAN
PHONE: 81-428-32-6118. FAX: 81-428-32-6145.

shindaiwa[®]



EC1
No.