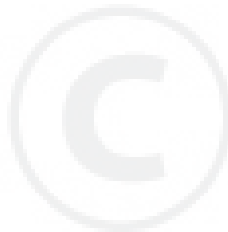


shindaiwa[®]

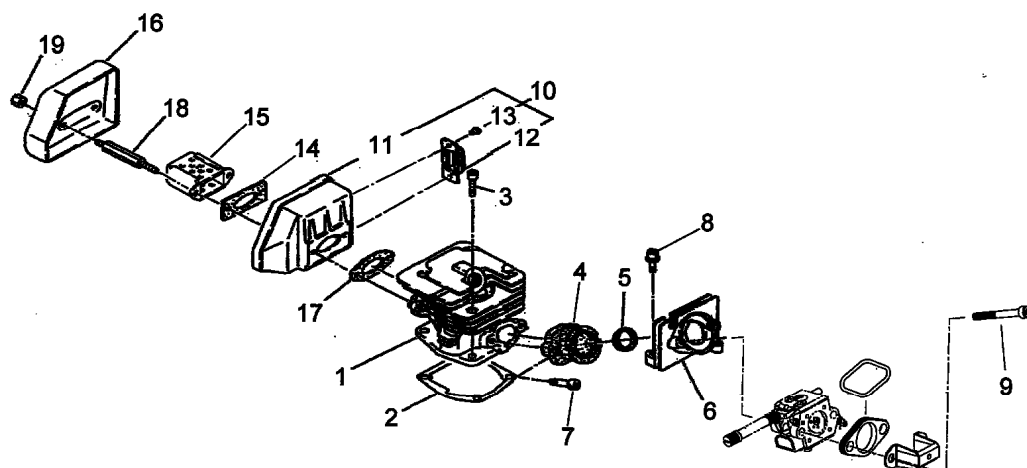
PARTS CATALOG

**CHAIN SAW
285S EC1**



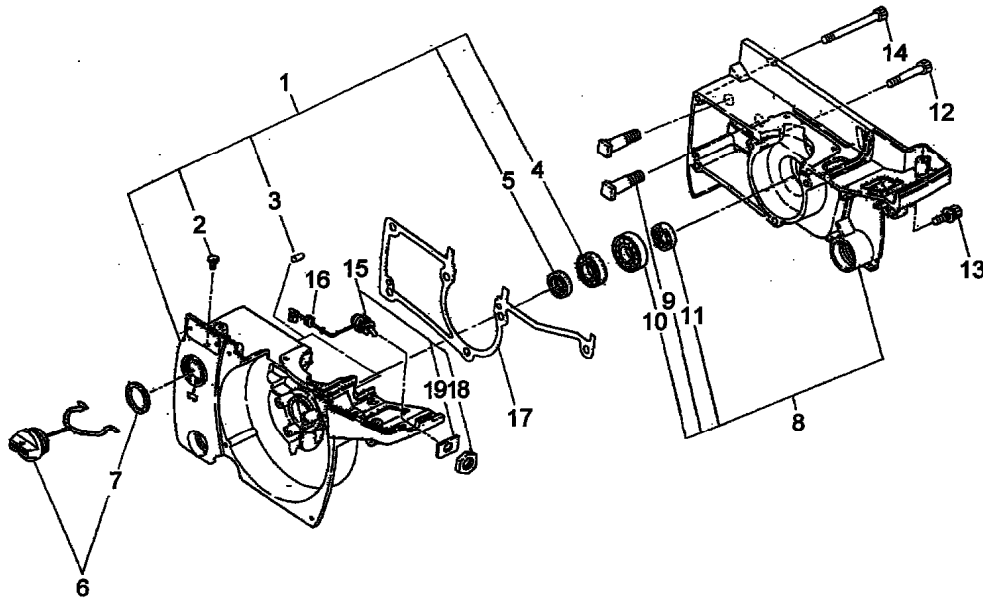
285S EC1

1. CYLINDER, MUFFLER



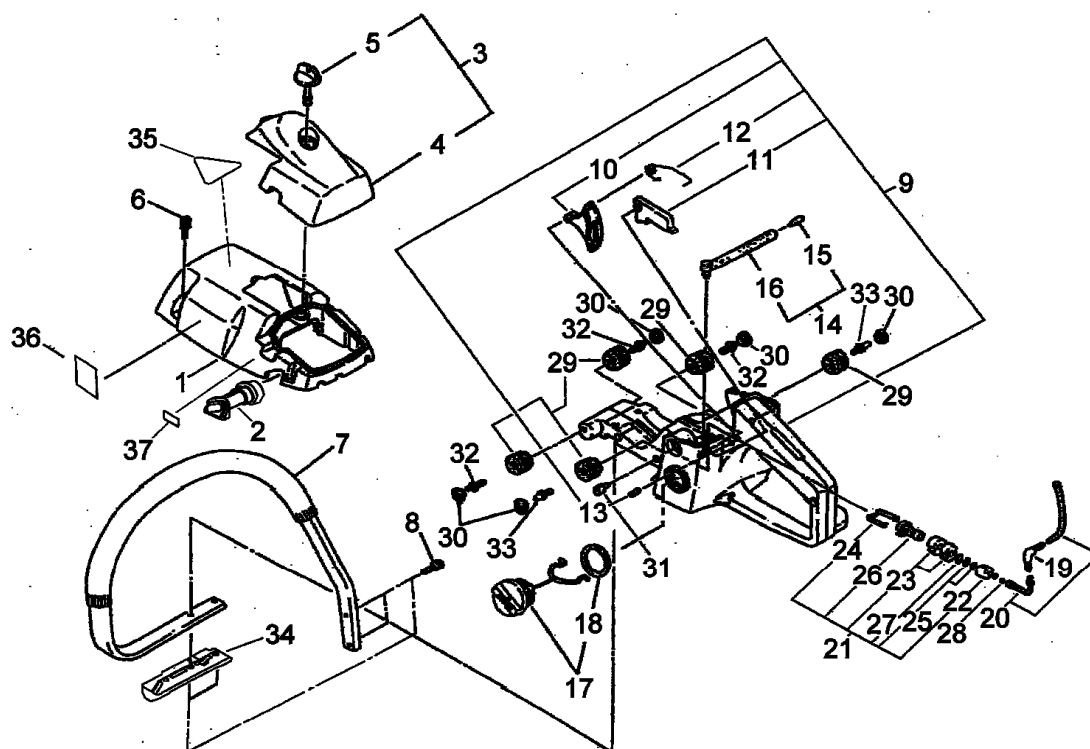
| KEY | LV | PART NUMBER | Q'TY | DESCRIPTION | REMARKS | NOTE1 | NOTE2 |
|-----|----|-------------|------|----------------------|---------|-------|-------|
| 1 | | 39300-12110 | 1 | CYLINDER | | | |
| 2 | | 22154-12120 | 1 | GASKET CYLINDER | | | |
| 3 | | 22154-12130 | 4 | BOLT | | | |
| 4 | | 22156-12154 | 1 | BOOT | | | |
| 5 | | 22156-14140 | 1 | COLLAR | | | |
| 6 | | 22177-12170 | 1 | BRACKET | | | |
| 7 | | 11060-04121 | 2 | BOLT ADHEISIVE | | | |
| 8 | | 11060-04141 | 2 | BOLT ADHESIVE | | | |
| 9 | | 11060-05500 | 2 | BOLT ADHESIVE | | | |
| 10 | | 22154-15100 | 1 | BASEMUFFLER SUB ASSY | | | |
| 11 | | 22154-15110 | 1 | BASE MUFFLER | | | |
| 12 | | 22154-15130 | 1 | TAIL PLATE | | | |
| 13 | | 11203-04060 | 2 | SCREW PM | | | |
| 14 | | 22154-15140 | 1 | PLATE MUFFLER | | | |
| 15 | | 22154-15150 | 1 | PIPE MUFFLER | | | |
| 16 | | 72303-15180 | 1 | COVER MUFFLER | | | |
| 17 | | 22154-15211 | 1 | GASKET MUFFLER | | | |
| 18 | | 72303-15410 | 2 | BOLT | | | |
| 19 | | 20011-12260 | 2 | NUT | | | |

2. CRANKCASE



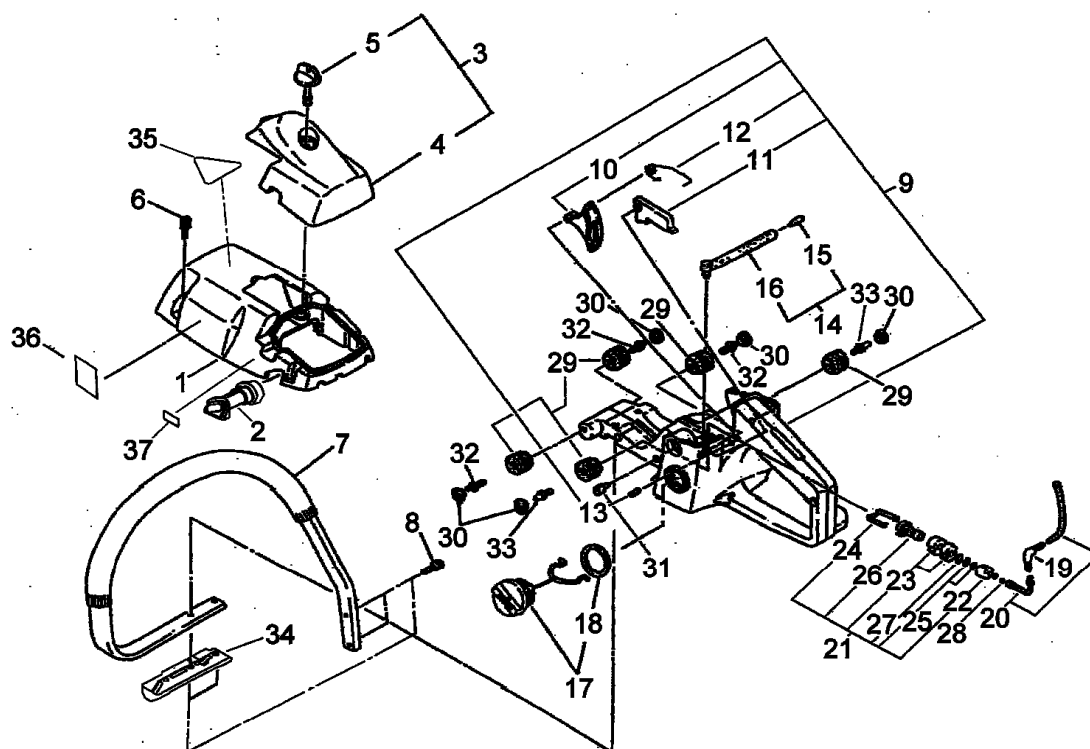
| KEY | LV | PART NUMBER | Q'TY | DESCRIPTION | REMARKS | NOTE1 | NOTE2 |
|-----|----|-------------|------|-------------------|---------|-------|-------|
| 1 | | 22165-21201 | 1 | CRANK CASE M COMP | | | |
| 2 | • | 22115-57120 | 1 | VALVE OIL TANK | | | |
| 3 | • | 12492-40080 | 2 | ROLLER | | | |
| 4 | • | 12900-60010 | 1 | BALL BEARING | | | |
| 5 | • | 22150-21250 | 1 | SEAL,OIL | | | |
| 6 | | 72320-31403 | 1 | CAP ASSY | | | |
| 7 | • | 22160-21351 | 1 | GASKET CAP | | | |
| 8 | | 22165-21502 | 1 | CRANK CASE COMP | | | |
| 9 | • | 22120-12260 | 2 | BOLT BAR | | | |
| 10 | • | 12900-62010 | 1 | BEARING | | | |
| 11 | • | 22150-21250 | 1 | SEAL,OIL | | | |
| 12 | | 11060-05300 | 3 | BOLT ADHESIVE | | | |
| 13 | | 11060-05182 | 1 | BOLT ADHESIVE | | | |
| 14 | | 11060-05450 | 2 | BOLT ADHESIVE | | | |
| 15 | | 22180-22100 | 1 | SWITCH ASSY | | | |
| 16 | • | 22156-22150 | 1 | GROMMET | | | |
| 17 | | 39035-21310 | 1 | GASKET CASE | | | |
| 18 | • | 22154-22130 | 1 | NUT | | | |
| 19 | • | 2218022140 | 1 | PLATE | | | |

3. HANDLE



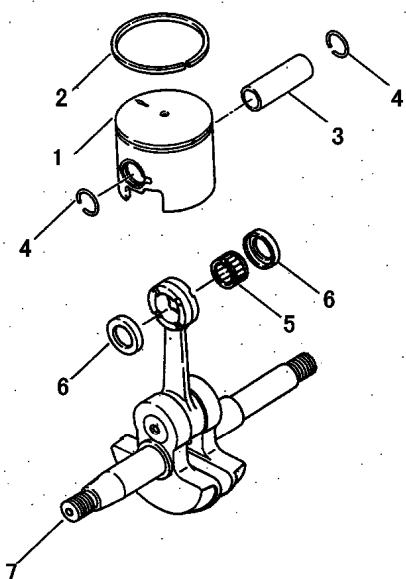
| KEY | LV | PART NUMBER | Q'TY | DESCRIPTION | REMARKS | NOTE1 | NOTE2 |
|-----|----|-------------|------|----------------------|---------|-------|-------|
| 1 | | 39006-31020 | 1 | CYLINDER COVER | | | |
| 2 | | 69022-31310 | 1 | GROMMET | | | |
| 3 | | 39006-31031 | 1 | CLEANER BODY | | | |
| 4 | • | 39006-31040 | 1 | CLEANER COVER | | | |
| 5 | • | 22155-82520 | 1 | KNOB CLEANER COVER | | | |
| 6 | | 11060-04160 | 3 | BOLT ADHESIVE | | | |
| 7 | | 22156-32111 | 1 | FRONT HANDLE | | | |
| 8 | | 11044-04180 | 4 | BOLT TAPPING | | | |
| 9 | | 69018-32030 | 1 | REAR HANDLE SUB ASSY | | | |
| 10 | • | 22154-33320 | 1 | THROTTLE LEVER | | | |
| 11 | • | 69018-32250 | 1 | LOCK LEVER | | | |
| 12 | • | 17520-11300 | 1 | COIL SPRING | | | |
| 13 | • | 12420-40255 | 2 | SPRING PIN | | | |
| 14 | | 22154-33900 | 1 | BREATHER ASSY | | | |
| 15 | • | 22155-33950 | 1 | ELEMENT | | | |
| 16 | • | 22154-33940 | 1 | PIPE | | | |
| 17 | | 22197-33802 | 1 | CAP ASSY | | | |
| 18 | • | 22160-21351 | 1 | GASKET CAP | | | |
| 19 | | 22155-33930 | 1 | JOINT | | | |
| 20 | | 22159-34110 | 1 | FUEL PIPE | | | |
| 21 | | 22115-85401 | 1 | FUEL FILTER | | | |
| 22 | • | 22128-85410 | 1 | FUEL LINE WEIGHT | | | |
| 23 | • | 22128-85421 | 2 | ELEMENT, STRAINER | | | |
| 24 | • | 22128-85440 | 1 | CLIP FILTER | | | |
| 25 | • | 22118-85460 | 2 | ELEMENT | | | |
| 26 | • | 22128-85470 | 1 | SLEEVE | | | |

3. HANDLE



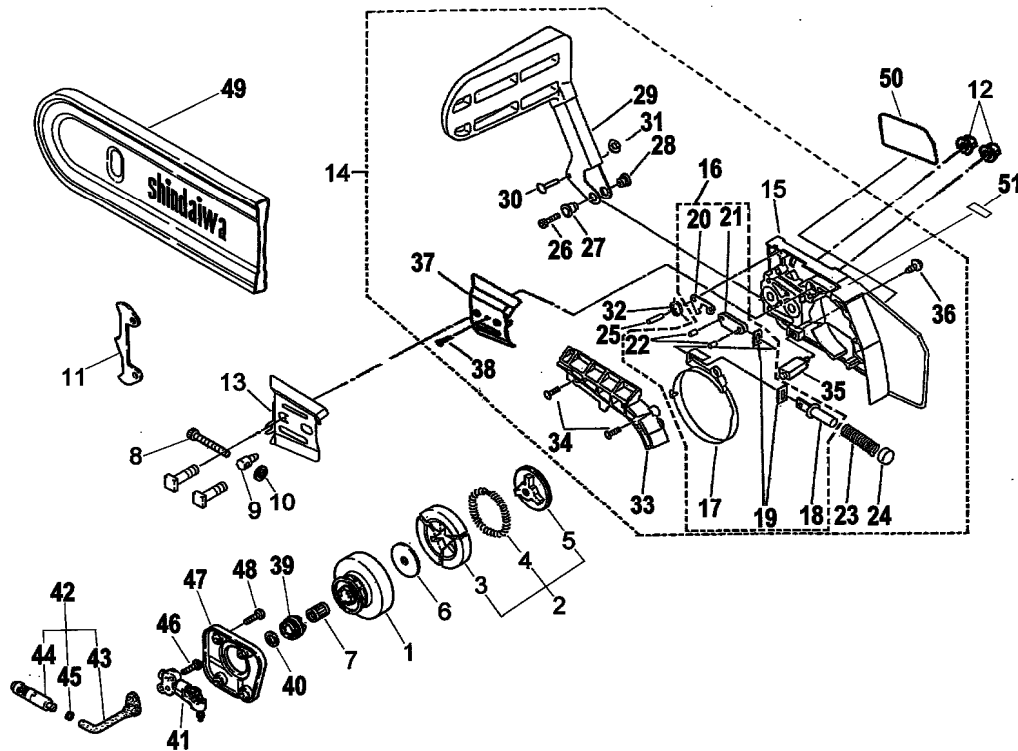
| KEY | LV | PART NUMBER | Q'TY | DESCRIPTION | REMARKS | NOTE1 | NOTE2 |
|-----|----|-------------|------|---------------|---------|----------|-------|
| 27 | | 22128-85480 | 1 | RING | | | |
| 28 | | 20020-85540 | 1 | CLIP | | | |
| 29 | | 22154-33731 | 5 | CUSHION 22 | | | |
| 30 | | 22154-33740 | 5 | PLUG 22 | | | |
| 31 | | 22154-33750 | 1 | SUPPORTER | | | |
| 32 | | 22156-33750 | 3 | BOLT HILO | | | |
| 33 | | 22154-33761 | 2 | STOP BOLT 22 | | | |
| 34 | | 39300-34310 | 1 | STAND | | | |
| 35 | | 19402-00083 | 1 | LABEL CAUTION | | | |
| 36 | | 19404-00035 | 1 | LABEL DECIBEL | | 110dB(A) | |
| 37 | | 19401-00094 | 1 | LABEL INST | | | |

4. PISTON



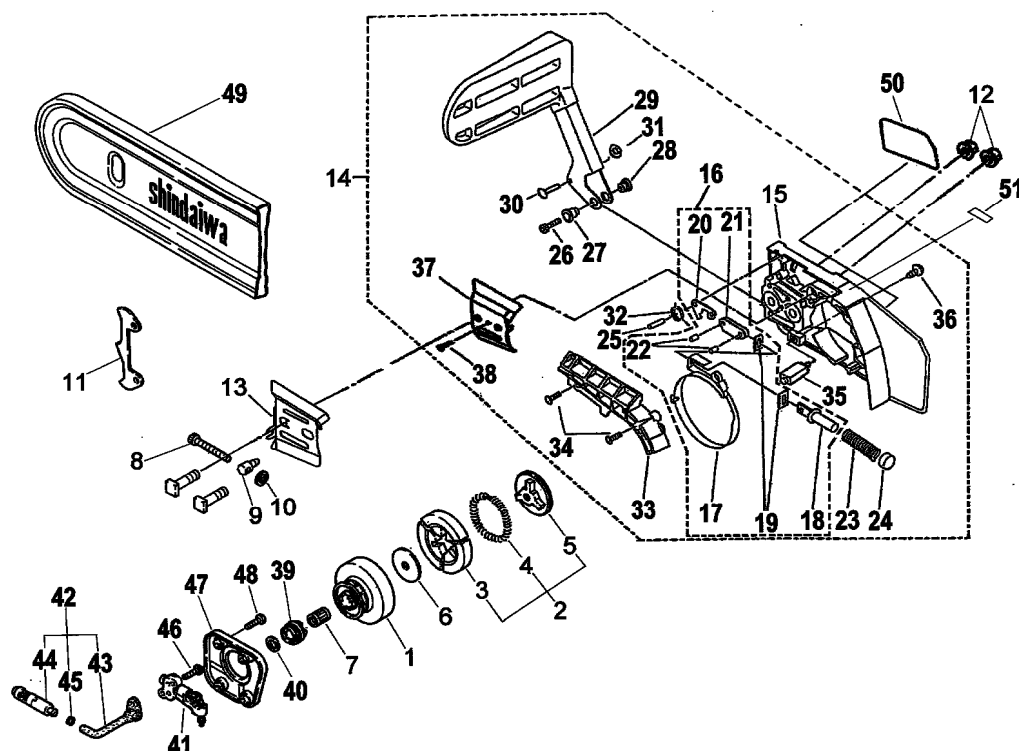
| KEY | LV | PART NUMBER | Q'TY | DESCRIPTION | REMARKS | NOTE1 | NOTE2 |
|-----|----|-------------|------|------------------|---------|-------|-------|
| 1 | | 22154-41110 | 1 | PISTON | | | |
| 2 | | 22100-41210 | 1 | PISTON RING | | | |
| 3 | | 20010-41310 | 1 | PISTON PIN | | | |
| 4 | | 22100-41230 | 2 | SNAP RING | | | |
| 5 | | 20010-41330 | 1 | NEEDLE BEARING | | | |
| 6 | | 22156-41340 | 2 | THRUST WASHER | | | |
| 7 | | 22154-42000 | 1 | CRANK SHAFT ASSY | | | |

5. CLUTCH



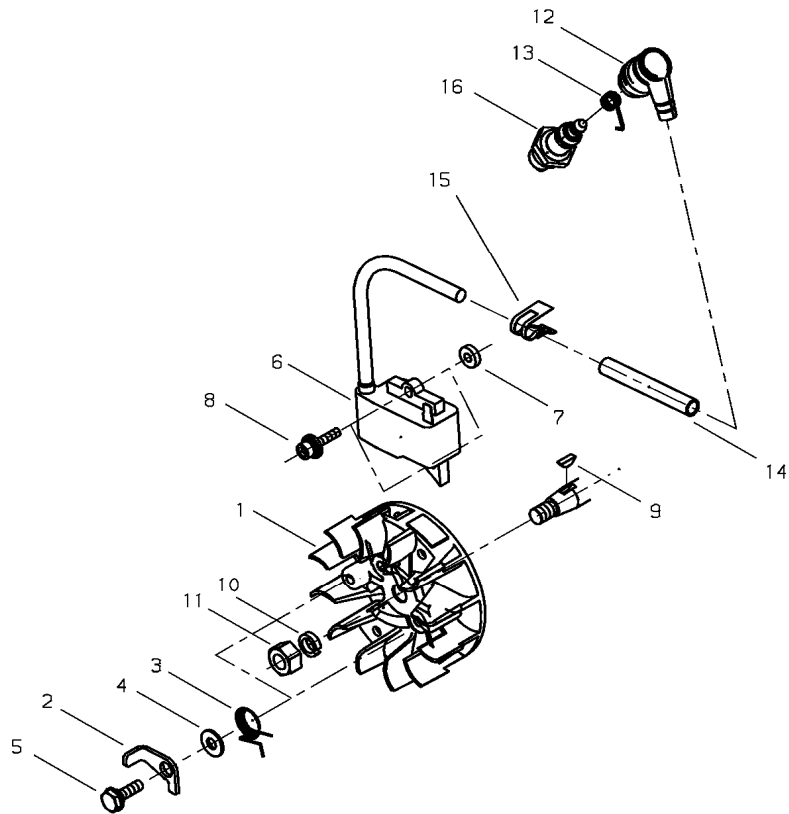
| KEY | LV | PART NUMBER | Q'TY | DESCRIPTION | REMARKS | NOTE1 | NOTE2 |
|-----|-----|-------------|------|-------------------|---------|-------|-------|
| 1 | | 22163-51110 | 1 | CLUTCH DRUM | | | |
| 2 | | 72348-51200 | 1 | CLUTCH ASSY | | | |
| 3 | • | 72348-51220 | 3 | CLUTCH SHOE | | | |
| 4 | • | 22102-51230 | 1 | CLUTCH SPRING | | | |
| 5 | • | 22154-51240 | 1 | CLUTCH BOSS B | | | |
| 6 | | 22154-51250 | 1 | CLUTCH BOSS A | | | |
| 7 | | 22102-51310 | 1 | NEEDLE BEARING | | | |
| 8 | | 22154-52421 | 1 | SLIDE SCREW | | | |
| 9 | | 22150-52440 | 1 | TENSIONER,CHAIN | | | |
| 10 | | 22154-52450 | 1 | PUSH NUT | | | |
| 11 | | 22154-52530 | 1 | SPIKE | | | |
| 12 | | 22182-52411 | 2 | NUT | | | |
| 13 | | 39300-52130 | 1 | GUIDE PLATE | | | |
| 14 | | 69018-53012 | 1 | CLUTCH COVER ASSY | | | |
| 15 | • | 39006-53024 | 1 | CLUTCH COVER | | | |
| 16 | • | 39020-53320 | 1 | BRAKE BAND COMP | | | |
| 17 | • • | 72345-54210 | 1 | BRAKE BAND | | | |
| 18 | • • | 72316-54220 | 1 | HOLDER SPRING | | | |
| 19 | • • | 72316-54310 | 2 | ADJUST PLATE | | | |
| 20 | • • | 22173-54561 | 1 | INNER LEVER | | | |
| 21 | • • | 72316-54570 | 1 | TIE STRAP | | | |
| 22 | • • | 12492-40080 | 2 | ROLLER | | | |
| 23 | • | 72346-54230 | 1 | BRAKE SPRING | | | |
| 24 | • | 72316-54240 | 1 | STOPPER | | | |
| 25 | • | 12492-40140 | 1 | ROLLER | | | |
| 26 | • | 01020-04120 | 1 | BOLT | | | |

5. CLUTCH



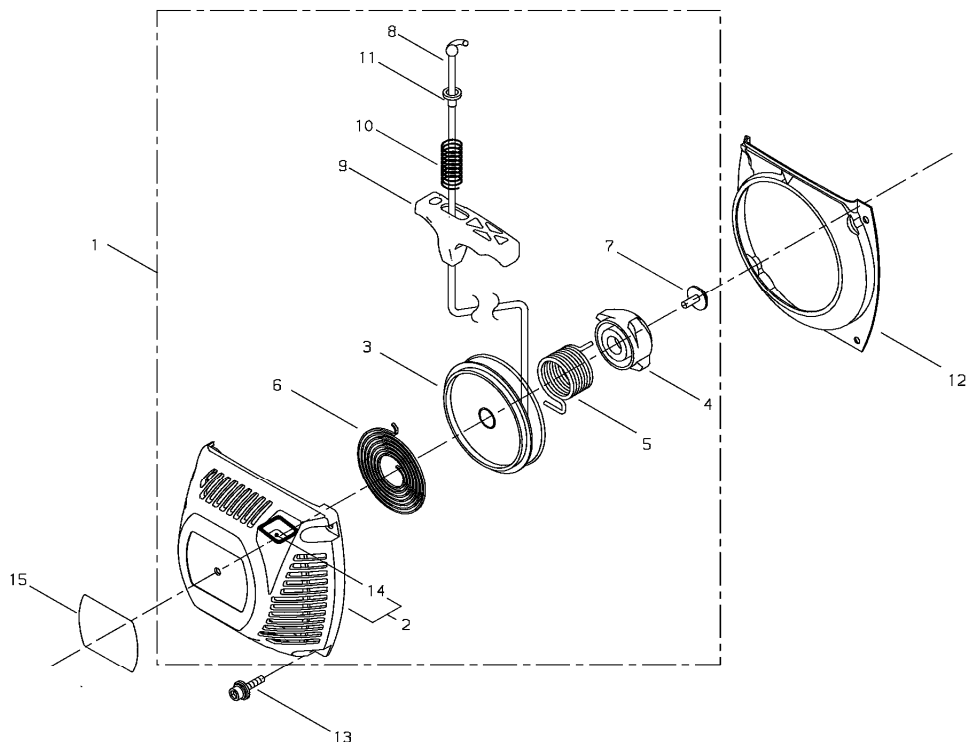
| KEY | LV | PART NUMBER | Q'TY | DESCRIPTION | REMARKS | NOTE1 | NOTE2 |
|-----|----|-------------|------|--------------------------|---------|-------|-------|
| 27 | • | 69018-53310 | 1 | HOLDER | | | |
| 28 | • | 39309-53320 | 1 | NUT LEVER | | | |
| 29 | • | 72316-54511 | 1 | LEVER | | | |
| 30 | • | 69018-53320 | 1 | PIN LEVER | | | |
| 31 | • | 23115-63160 | 1 | NUT | | | |
| 32 | • | 72316-54580 | 1 | SPRING LEVER | | | |
| 33 | • | 72327-54610 | 1 | COVER | | | |
| 34 | • | 01270-04122 | 2 | SCREW TAPPING | | | |
| 35 | • | 22154-54611 | 1 | CHAIN CATCHER | | | |
| 36 | • | 01275-03102 | 1 | SCREW TRUSS T | | | |
| 37 | • | 22159-54160 | 1 | GUIDE PLATE B | | | |
| 38 | • | 01270-04082 | 1 | SCREW TAPPING | | | |
| 39 | | 22154-55110 | 1 | GEAR | | | |
| 40 | | 22154-55120 | 1 | THRUST PLATE | | | |
| 41 | | 22197-55201 | 1 | OIL PUMP ASSY | | | |
| 42 | | 22154-55301 | 1 | OIL PIPE ASSY | | | |
| 43 | • | 22154-55310 | 1 | OIL PIPE | | | |
| 44 | • | 22154-55330 | 1 | OIL FILTER | | | |
| 45 | • | 22154-85540 | 1 | CLIP OIL | | | |
| 46 | | 11260-04120 | 2 | スクリュアト [®] ヒーシブ | | | |
| 47 | | 22154-56110 | 1 | PUMP COVER | | | |
| 48 | | 11260-04120 | 4 | スクリュアト [®] ヒーシブ | | | |
| 49 | | 19600-44100 | 1 | CHAIN COVER | | | |
| 50 | | 69018-91321 | 1 | LABEL TRADE | | | |
| 51 | | 19401-00093 | 1 | LABEL INST | | | |

6. MAGNETO



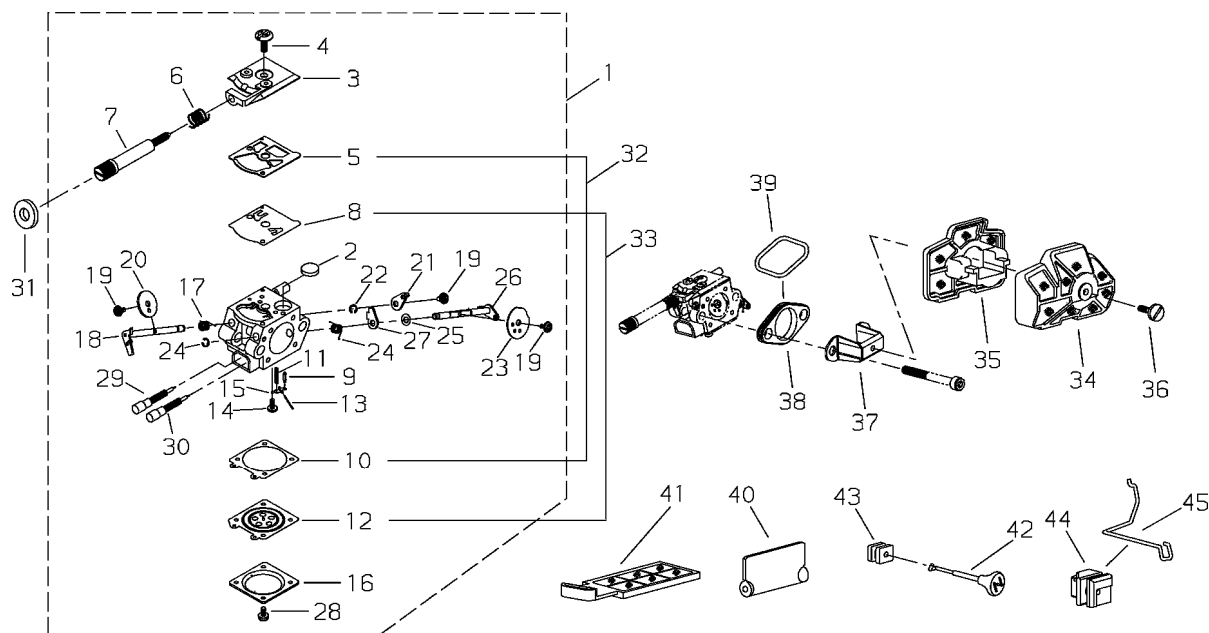
| KEY | LV | PART NUMBER | Q'TY | DESCRIPTION | REMARKS | NOTE1 | NOTE2 |
|-----|----|-------------|------|---------------------|---------|--------|-------|
| 1 | | 39300-71110 | 1 | ROTOR | | | |
| 2 | | 22182-71412 | 2 | PAWL | | | |
| 3 | | 22182-71421 | 2 | SPRING RATCHET | | | |
| 4 | | 22182-71430 | 2 | WASHER | | | |
| 5 | | 22182-71440 | 2 | BOLT | | | |
| 6 | | 39300-71020 | 1 | COIL ASSY | | | |
| 7 | | 22154-71811 | 2 | INSULATOR | | | |
| 8 | | 11022-04200 | 2 | BOLT SPW | | | |
| 9 | | 02403-03100 | 1 | KEY | 3*10 | | |
| 10 | | 01600-08201 | 1 | SPRING WASHER | | | |
| 11 | | 22100-43231 | 1 | NUT | | | |
| 12 | | 22160-72220 | 1 | PLUG CAP | | | |
| 13 | | 22154-72230 | 1 | TERMINAL, SPARKPLUG | | | |
| 14 | | 70064-72110 | 1 | TUBE | | | |
| 15 | | 22154-72240 | 1 | CLIP | | | |
| 16 | | 13000-13507 | 1 | SPARK PLUG BPMR7A | | BPMR7A | |

7. RECOIL STARTER



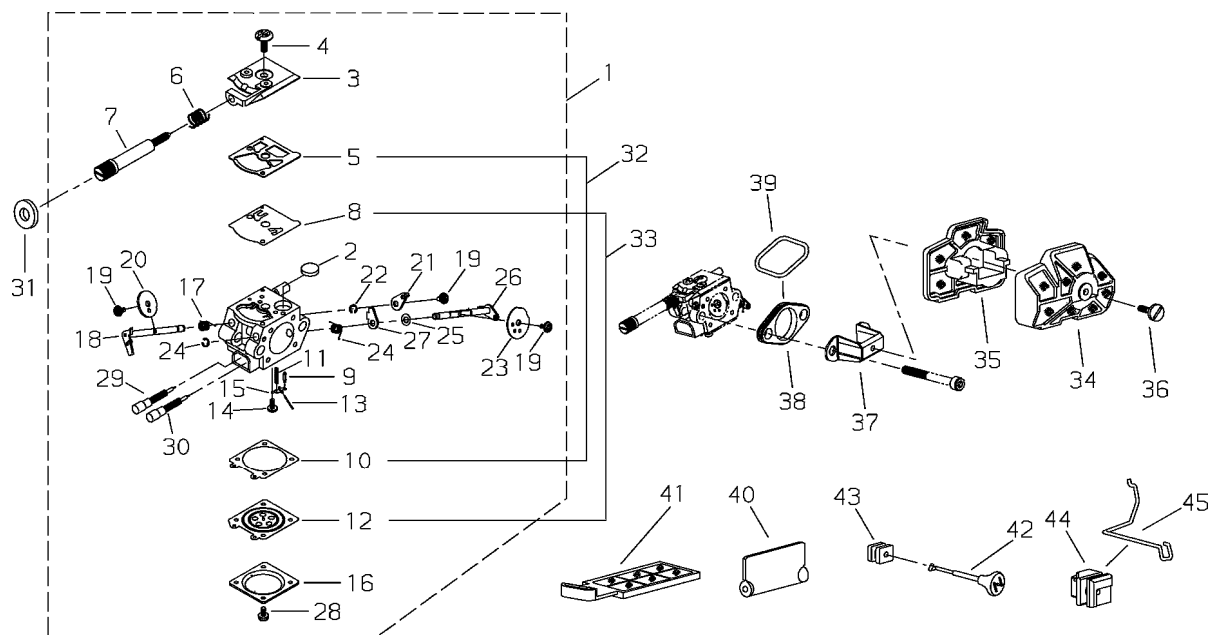
| KEY | LV | PART NUMBER | Q'TY | DESCRIPTION | REMARKS | NOTE1 | NOTE2 |
|-----|----|-------------|------|---------------------|---------|-------|-------|
| 1 | | 39300-75010 | 1 | RECOIL STARTER ASSY | | | |
| 2 | • | 39300-75110 | 1 | STARTER CASE | | | |
| 3 | • | 39300-75121 | 1 | REEL | | | |
| 4 | • | 39300-75311 | 1 | CAM | | | |
| 5 | • | 39300-75320 | 1 | COIL SPRING | | | |
| 6 | • | 39300-75130 | 1 | RECOIL SPRING | | | |
| 7 | • | 39300-75330 | 1 | SCREW | | | |
| 8 | • | 39300-75140 | 1 | ROPE | | | |
| 9 | • | 39300-75151 | 1 | KNOB | | | |
| 10 | • | 39300-75340 | 1 | SPRING, COMPRESSION | | | |
| 11 | • | 39300-75350 | 1 | SPACER | | | |
| 12 | | 39300-75210 | 1 | AIR PLATE | | | |
| 13 | | 11060-04200 | 4 | BOLT ADHESIVE | | | |
| 14 | • | 22182-75120 | 1 | GUIDE | | | |
| 15 | | 69018-91331 | 1 | LABEL TRADE | | | |

8. CARBURETOR



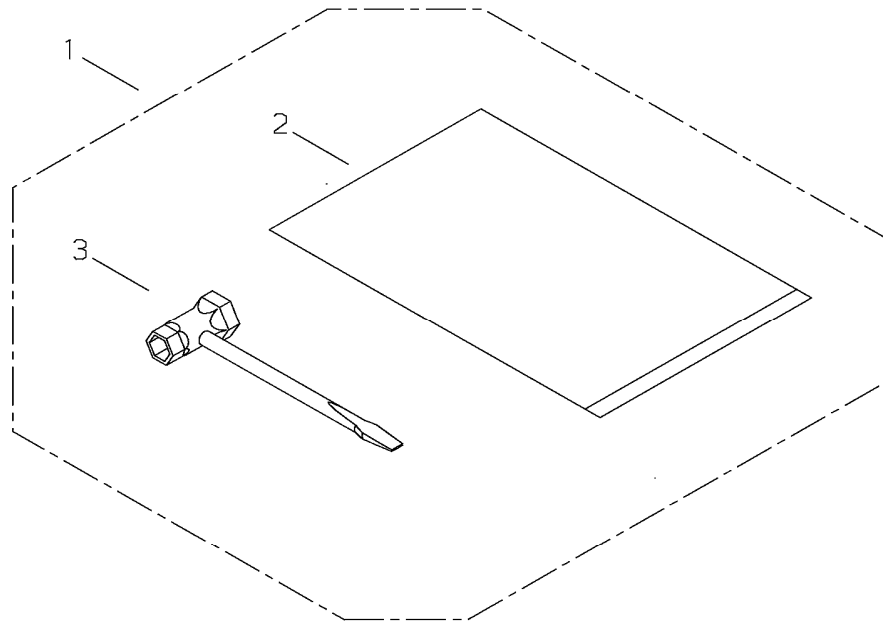
| KEY | LV | PART NUMBER | Q'TY | DESCRIPTION | REMARKS | NOTE1 | NOTE2 |
|-----|----|-------------|------|----------------------|---------|-------|-------|
| 1 | | 69022-81010 | 1 | CARBURETOR ASSY | | | |
| 2 | • | 70030-81380 | 1 | SCREEN | | | |
| 3 | • | 22156-81120 | 1 | PUMP COVER ASSY | | | |
| 4 | • | 22100-81130 | 1 | SCREW | | | |
| 5 | • | 22128-81140 | 1 | GASKET, FUEL PUMP | | | |
| 6 | • | 22156-81420 | 1 | SPRING, IDLE ADJUST | | | |
| 7 | • | 22156-81410 | 1 | IDLE SCREW | | | |
| 8 | • | 22128-81150 | 1 | DIAPHRAGM PUMP | | | |
| 9 | • | 20036-81440 | 1 | VALVE | | | |
| 10 | • | 39300-81320 | 1 | GASKET | | | |
| 11 | • | 72342-81270 | 1 | SPRING, METER. LEVER | | | |
| 12 | • | 22100-81260 | 1 | DIAPHRAGM ASM | | | |
| 13 | • | 22100-81250 | 1 | PIN | | | |
| 14 | • | 22100-81240 | 1 | SCREW | | | |
| 15 | • | 22100-81230 | 1 | LEVER, METERING | | | |
| 16 | • | 22100-81280 | 1 | COVER DIAPHRAGM | | | |
| 17 | • | 22100-81410 | 1 | SPRING SHAFT | | | |
| 18 | • | 69018-81310 | 1 | SHAFT ASSY | | | |
| 19 | • | 20803-81150 | 3 | SCREW | | | |
| 20 | • | 22164-81340 | 1 | THROTTLE VALVE | | | |
| 21 | • | 69018-81320 | 1 | THROTTLE LEVER | | | |
| 22 | • | 70030-81390 | 2 | E-RING | | | |
| 23 | • | 39007-81320 | 1 | CHOKE VALVE | | | |
| 24 | • | 22180-81460 | 1 | SPRING | | | |
| 25 | • | 20036-81185 | 1 | WASHER | | | |
| 26 | • | 22180-81740 | 1 | SHAFT | | | |

8. CARBURETOR



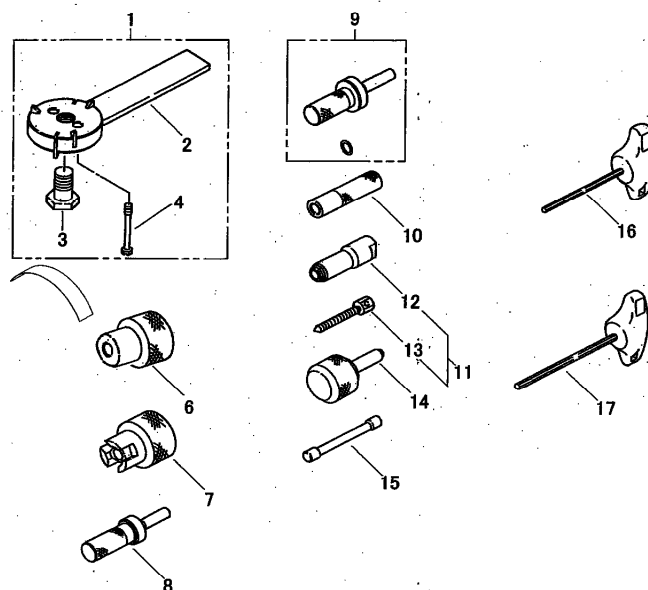
| KEY | LV | PART NUMBER | Q'TY | DESCRIPTION | REMARKS | NOTE1 | NOTE2 |
|-----|----|-------------|------|-------------------|---------|-------|-------|
| 27 | • | 22180-81471 | 1 | LEVER | | | |
| 28 | • | 22100-81351 | 4 | SCREW | | | |
| 29 | • | 69022-81320 | 1 | NEEDLE | | | |
| 30 | • | 69022-81330 | 1 | NEEDLE | | | |
| 31 | | 22156-81440 | 1 | SEAL COLLAR | | | |
| 32 | | 39300-98320 | 1 | GASKET SET | | | |
| 33 | | 22128-81910 | 1 | DIAPHRAGM KIT | | | |
| 34 | | 69018-82323 | 1 | AIR CLEANER UPPER | | PA6 | |
| 35 | | 69018-82333 | 1 | AIR CLEANER LOWER | | PA6 | |
| 36 | | 69018-82361 | 1 | SCREW | | | |
| 37 | | 69018-82340 | 1 | BRACKET | | | |
| 38 | | 69018-82350 | 1 | BRACKET | | | |
| 39 | | 02304-02242 | 1 | O RING | | | |
| 40 | | 22154-82320 | 1 | SHUTTER | | | |
| 41 | | 22154-82310 | 1 | AIR CLEANER | | | |
| 42 | | 22180-82121 | 1 | CHOKE ROD | | | |
| 43 | | 22180-82130 | 1 | GROMMET CHOKE | | | |
| 44 | | 22154-82150 | 1 | GROMMET ROD | | | |
| 45 | | 69018-83323 | 1 | THROTTLE ROD | | | |

9. TOOL



| KEY | LV | PART NUMBER | Q'TY | DESCRIPTION | REMARKS | NOTE1 | NOTE2 |
|-----|----|-------------|------|-------------|---------|-------|-------|
| 1 | | 69022-92310 | 1 | TOOL SET | | | |
| 2 | • | 19639-01100 | 1 | POLY BAG | | | |
| 3 | • | 22000-91181 | 1 | PLUG WRENCH | | | |

10. OPTION TOOL



| KEY | LV | PART NUMBER | Q'TY | DESCRIPTION | REMARKS | NOTE1 | NOTE2 |
|-----|----|-------------|------|------------------|---------|-------|-------|
| 1 | | 22154-96100 | 1 | PULLER ASSY | | | |
| 2 | • | 22154-96110 | 1 | PULLER | | | |
| 3 | • | 22100-96121 | 1 | CENTER BOLT | | | |
| 4 | • | 22102-96130 | 2 | BOLT | | | |
| 5 | | 20000-96210 | 1 | AIR GAP GAUGE | | | |
| 6 | | 22154-96220 | 1 | SET GAUGE | | | |
| 7 | | 22154-96410 | 1 | HOLDER | | | |
| 8 | | 22154-96420 | 1 | ROD OIL SEAL | | | |
| 9 | | 22154-96430 | 1 | ROD BEARING | | | |
| 10 | | 22154-96440 | 1 | ROD OIL SEAL OUT | | | |
| 11 | | 22150-96600 | 1 | PULLER M ASSY | | | |
| 12 | • | 22150-96610 | 1 | PULLER M | | | |
| 13 | • | 22150-96620 | 1 | BOLT | | | |
| 14 | | 22154-96460 | 1 | PLUG BUSH | | | |
| 15 | | 22155-96240 | 1 | PISTON STOPPER | | | |
| 16 | | 22155-96521 | 1 | T WRENCH 4 | | | |
| 17 | | 22155-96531 | 1 | T WRENCH 5 | | | |

Index

| Patrs Number | Key No. | Patrs Number | Key No. | Patrs Number | Key No. |
|---------------------|----------------|---------------------|----------------|---------------------|----------------|
| 01020-04120 | 5 - 26 | 22100-81250 | 8 - 13 | 22154-52530 | 5 - 11 |
| 01270-04082 | 5 - 38 | 22100-81260 | 8 - 12 | 22154-54611 | 5 - 35 |
| 01270-04122 | 5 - 34 | 22100-81280 | 8 - 16 | 22154-55110 | 5 - 39 |
| 01275-03102 | 5 - 36 | 22100-81351 | 8 - 28 | 22154-55120 | 5 - 40 |
| 01600-08201 | 6 - 10 | 22100-81410 | 8 - 17 | 22154-55301 | 5 - 42 |
| 02304-02242 | 8 - 39 | 22100-96121 | 10 - 3 | 22154-55310 | 5 - 43 |
| 02403-03100 | 6 - 9 | 22102-51230 | 5 - 4 | 22154-55330 | 5 - 44 |
| 11022-04200 | 6 - 8 | 22102-51310 | 5 - 7 | 22154-56110 | 5 - 47 |
| 11044-04180 | 3 - 8 | 22102-96130 | 10 - 4 | 22154-71811 | 6 - 7 |
| 11060-04121 | 1 - 7 | 22115-57120 | 2 - 2 | 22154-72230 | 6 - 13 |
| 11060-04141 | 1 - 8 | 22115-85401 | 3 - 21 | 22154-72240 | 6 - 15 |
| 11060-04160 | 3 - 6 | 22118-85460 | 3 - 25 | 22154-82150 | 8 - 44 |
| 11060-04200 | 7 - 13 | 22120-12260 | 2 - 9 | 22154-82310 | 8 - 41 |
| 11060-05182 | 2 - 13 | 22128-81140 | 8 - 5 | 22154-82320 | 8 - 40 |
| 11060-05300 | 2 - 12 | 22128-81150 | 8 - 8 | 22154-85540 | 5 - 45 |
| 11060-05450 | 2 - 14 | 22128-81910 | 8 - 33 | 22154-96100 | 10 - 1 |
| 11060-05500 | 1 - 9 | 22128-85410 | 3 - 22 | 22154-96110 | 10 - 2 |
| 11203-04060 | 1 - 13 | 22128-85421 | 3 - 23 | 22154-96220 | 10 - 6 |
| 11260-04120 | 5 - 46 | 22128-85440 | 3 - 24 | 22154-96410 | 10 - 7 |
| 11260-04120 | 5 - 48 | 22128-85470 | 3 - 26 | 22154-96420 | 10 - 8 |
| 12420-40255 | 3 - 13 | 22128-85480 | 3 - 27 | 22154-96430 | 10 - 9 |
| 12492-40080 | 2 - 3 | 22150-21250 | 2 - 5 | 22154-96440 | 10 - 10 |
| 12492-40080 | 5 - 22 | 22150-21250 | 2 - 11 | 22154-96460 | 10 - 14 |
| 12492-40140 | 5 - 25 | 22150-52440 | 5 - 9 | 22155-33930 | 3 - 19 |
| 12900-60010 | 2 - 4 | 22150-96600 | 10 - 11 | 22155-33950 | 3 - 15 |
| 12900-62010 | 2 - 10 | 22150-96610 | 10 - 12 | 22155-82520 | 3 - 5 |
| 13000-13507 | 6 - 16 | 22150-96620 | 10 - 13 | 22155-96240 | 10 - 15 |
| 17520-11300 | 3 - 12 | 22154-12120 | 1 - 2 | 22155-96521 | 10 - 16 |
| 19401-00093 | 5 - 51 | 22154-12130 | 1 - 3 | 22155-96531 | 10 - 17 |
| 19401-00094 | 3 - 37 | 22154-15100 | 1 - 10 | 22156-12154 | 1 - 4 |
| 19402-00083 | 3 - 35 | 22154-15110 | 1 - 11 | 22156-14140 | 1 - 5 |
| 19404-00035 | 3 - 36 | 22154-15130 | 1 - 12 | 22156-22150 | 2 - 16 |
| 19600-44100 | 5 - 49 | 22154-15140 | 1 - 14 | 22156-32111 | 3 - 7 |
| 19639-01100 | 9 - 2 | 22154-15150 | 1 - 15 | 22156-33750 | 3 - 32 |
| 20000-96210 | 10 - 5 | 22154-15211 | 1 - 17 | 22156-41340 | 4 - 6 |
| 20010-41310 | 4 - 3 | 22154-22130 | 2 - 18 | 22156-81120 | 8 - 3 |
| 20010-41330 | 4 - 5 | 22154-33320 | 3 - 10 | 22156-81410 | 8 - 7 |
| 20011-12260 | 1 - 19 | 22154-33731 | 3 - 29 | 22156-81420 | 8 - 6 |
| 20020-85540 | 3 - 28 | 22154-33740 | 3 - 30 | 22156-81440 | 8 - 31 |
| 20036-81185 | 8 - 25 | 22154-33750 | 3 - 31 | 22159-34110 | 3 - 20 |
| 20036-81440 | 8 - 9 | 22154-33761 | 3 - 33 | 22159-54160 | 5 - 37 |
| 20803-81150 | 8 - 19 | 22154-33900 | 3 - 14 | 22160-21351 | 2 - 7 |
| 22000-91181 | 9 - 3 | 22154-33940 | 3 - 16 | 22160-21351 | 3 - 18 |
| 22100-41210 | 4 - 2 | 22154-41110 | 4 - 1 | 22160-72220 | 6 - 12 |
| 22100-41230 | 4 - 4 | 22154-42000 | 4 - 7 | 22163-51110 | 5 - 1 |
| 22100-43231 | 6 - 11 | 22154-51240 | 5 - 5 | 22164-81340 | 8 - 20 |
| 22100-81130 | 8 - 4 | 22154-51250 | 5 - 6 | 22165-21201 | 2 - 1 |
| 22100-81230 | 8 - 15 | 22154-52421 | 5 - 8 | 22165-21502 | 2 - 8 |
| 22100-81240 | 8 - 14 | 22154-52450 | 5 - 10 | 22173-54561 | 5 - 20 |

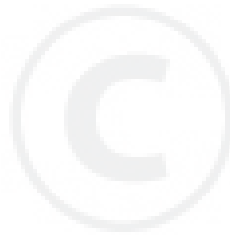
Index

| Patrs Number | Key No. | Patrs Number | Key No. | Patrs Number | Key No. |
|---------------------|----------------|---------------------|----------------|---------------------|----------------|
| 22177-12170 | 1 - 6 | 69018-81310 | 8 - 18 | | |
| 22180-22100 | 2 - 15 | 69018-81320 | 8 - 21 | | |
| 2218022140 | 2 - 19 | 69018-82323 | 8 - 34 | | |
| 22180-81460 | 8 - 24 | 69018-82333 | 8 - 35 | | |
| 22180-81471 | 8 - 27 | 69018-82340 | 8 - 37 | | |
| 22180-81740 | 8 - 26 | 69018-82350 | 8 - 38 | | |
| 22180-82121 | 8 - 42 | 69018-82361 | 8 - 36 | | |
| 22180-82130 | 8 - 43 | 69018-83323 | 8 - 45 | | |
| 22182-52411 | 5 - 12 | 69018-91321 | 5 - 50 | | |
| 22182-71412 | 6 - 2 | 69018-91331 | 7 - 15 | | |
| 22182-71421 | 6 - 3 | 69022-31310 | 3 - 2 | | |
| 22182-71430 | 6 - 4 | 69022-81010 | 8 - 1 | | |
| 22182-71440 | 6 - 5 | 69022-81320 | 8 - 29 | | |
| 22182-75120 | 7 - 14 | 69022-81330 | 8 - 30 | | |
| 22197-33802 | 3 - 17 | 69022-92310 | 9 - 1 | | |
| 22197-55201 | 5 - 41 | 70030-81380 | 8 - 2 | | |
| 23115-63160 | 5 - 31 | 70030-81390 | 8 - 22 | | |
| 39006-31020 | 3 - 1 | 70064-72110 | 6 - 14 | | |
| 39006-31031 | 3 - 3 | 72303-15180 | 1 - 16 | | |
| 39006-31040 | 3 - 4 | 72303-15410 | 1 - 18 | | |
| 39006-53024 | 5 - 15 | 72316-54220 | 5 - 18 | | |
| 39007-81320 | 8 - 23 | 72316-54240 | 5 - 24 | | |
| 39020-53320 | 5 - 16 | 72316-54310 | 5 - 19 | | |
| 39035-21310 | 2 - 17 | 72316-54511 | 5 - 29 | | |
| 39300-12110 | 1 - 1 | 72316-54570 | 5 - 21 | | |
| 39300-34310 | 3 - 34 | 72316-54580 | 5 - 32 | | |
| 39300-52130 | 5 - 13 | 72320-31403 | 2 - 6 | | |
| 39300-71020 | 6 - 6 | 72327-54610 | 5 - 33 | | |
| 39300-71110 | 6 - 1 | 72342-81270 | 8 - 11 | | |
| 39300-75010 | 7 - 1 | 72345-54210 | 5 - 17 | | |
| 39300-75110 | 7 - 2 | 72346-54230 | 5 - 23 | | |
| 39300-75121 | 7 - 3 | 72348-51200 | 5 - 2 | | |
| 39300-75130 | 7 - 6 | 72348-51220 | 5 - 3 | | |
| 39300-75140 | 7 - 8 | | | | |
| 39300-75151 | 7 - 9 | | | | |
| 39300-75210 | 7 - 12 | | | | |
| 39300-75311 | 7 - 4 | | | | |
| 39300-75320 | 7 - 5 | | | | |
| 39300-75330 | 7 - 7 | | | | |
| 39300-75340 | 7 - 10 | | | | |
| 39300-75350 | 7 - 11 | | | | |
| 39300-81320 | 8 - 10 | | | | |
| 39300-98320 | 8 - 32 | | | | |
| 39309-53320 | 5 - 28 | | | | |
| 69018-32030 | 3 - 9 | | | | |
| 69018-32250 | 3 - 11 | | | | |
| 69018-53012 | 5 - 14 | | | | |
| 69018-53310 | 5 - 27 | | | | |
| 69018-53320 | 5 - 30 | | | | |

YAMABIKO CORPORATION

7-2 SUEHIROCHO 1-CHOME, OHME, TOKYO 198-8760, JAPAN
PHONE: 81-428-32-6118. FAX: 81-428-32-6145.

shindaiwa[®]



EC1
No.