

Shindaiwa Illustrated Parts List

352s EC1 Chainsaw

| | |
|--|-------|
| CYLINDER / MUFFLER | 2 |
| CRANKCASE | 3 |
| CYLINDER COVER / CLEANER / HANDLE / FUEL FILTER | 4 |
| PISTON | 5 |
| CLUTCH / OIL PUMP / CHAIN COVER | 6 - 7 |
| ROTOR / COIL ASSEMBLY | 8 |
| RECOIL STARTER | 9 |
| CARBURETOR / AIR CLEANER | 10 |
| TOOL SET | 11 |

www.shindaiwa.com

11975 SW Herman Road

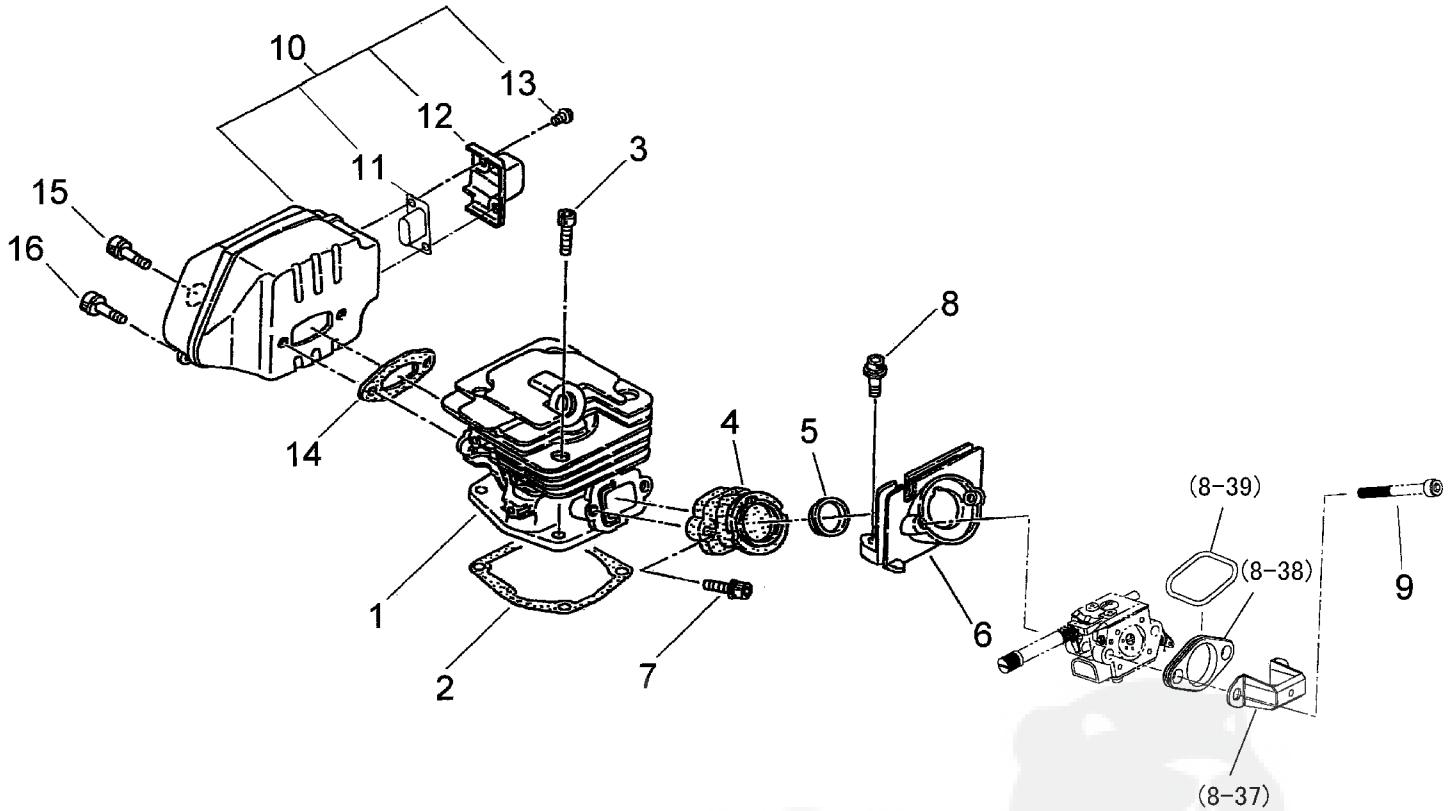
Tualatin, Oregon 97062, U.S.A.

1 + 503.692.3070 • fax 1 + 503.692.6696 •

shindaiwa

CYLINDER / MUFFLER

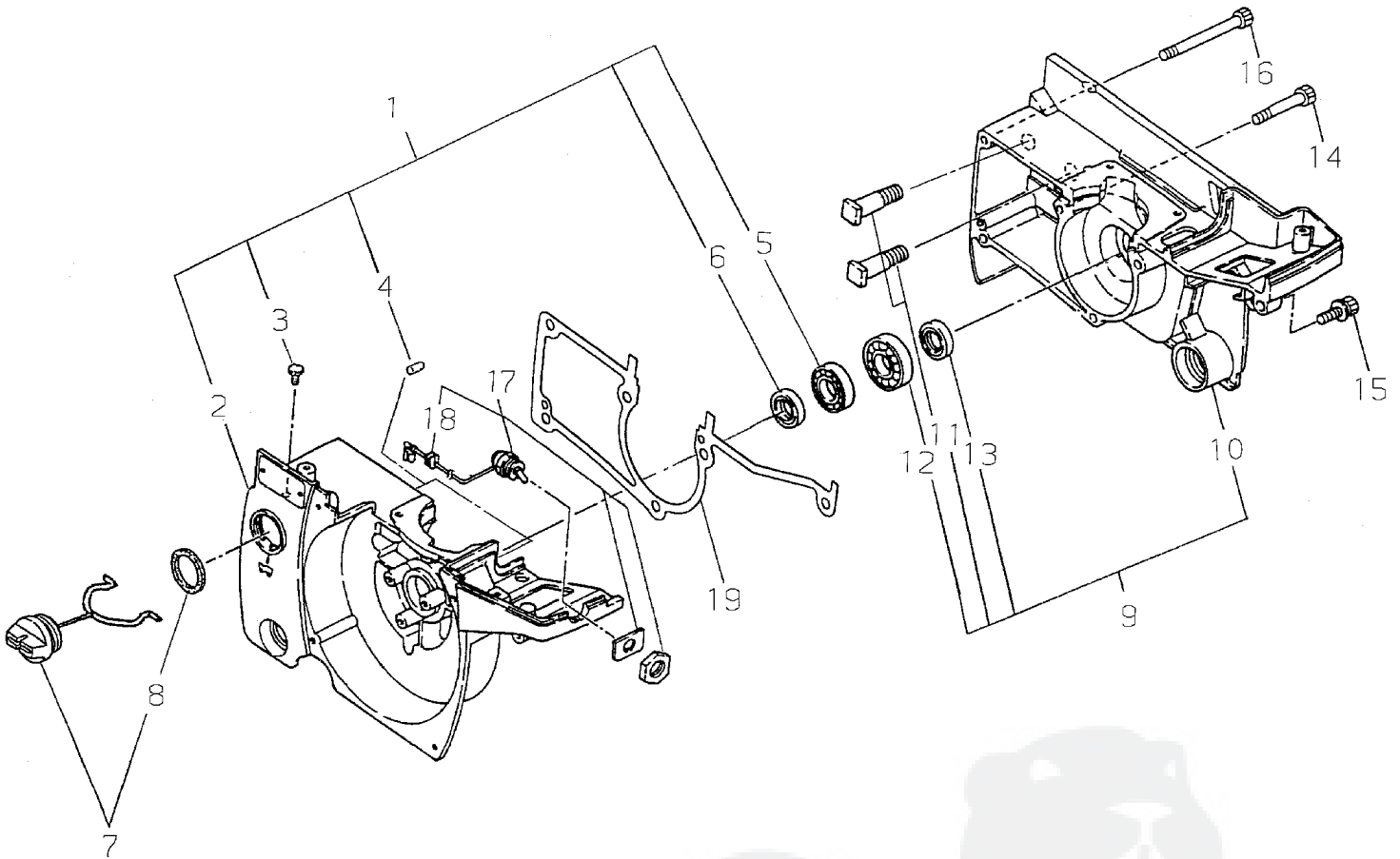
ILLUSTRATION 1 - REV 10/05



| Ref. No | Part No. | Part Name | Q'ty |
|---------|-------------|----------------------|------|
| 1-1 | 39302-12110 | CYLINDER | 1 |
| 2 | 22154-12120 | GASKET CYLINDER | 1 |
| 3 | 22154-12130 | BOLT | 4 |
| 4 | 22156-12153 | BOOT | 1 |
| 5 | 22156-14140 | SLEEVE | 1 |
| 6 | 22177-12170 | BRACKET | 1 |
| 7 | 11060-04121 | BOLT ADHESIVE | 2 |
| 8 | 11060-04141 | BOLT ADHESIVE | 2 |
| 9 | 11060-05500 | BOLT ADHESIVE | 2 |
| 10 | 22166-15100 | MUFFLER SUB ASSEMBLY | 1 |
| 11 | 22166-15120 | *TAILPIPE | 1 |
| 12 | 22156-15130 | *TAIL PLATE | 1 |
| 13 | 11203-04060 | *SCREW PM | 2 |
| 14 | 22156-15211 | GASKET MUFFLER | 1 |
| 15 | 11020-05160 | BOLT SW | 2 |
| 16 | 11060-05161 | BOLT ADHESIVE | 2 |

CRANKCASE

ILLUSTRATION 2 - REV 10/05

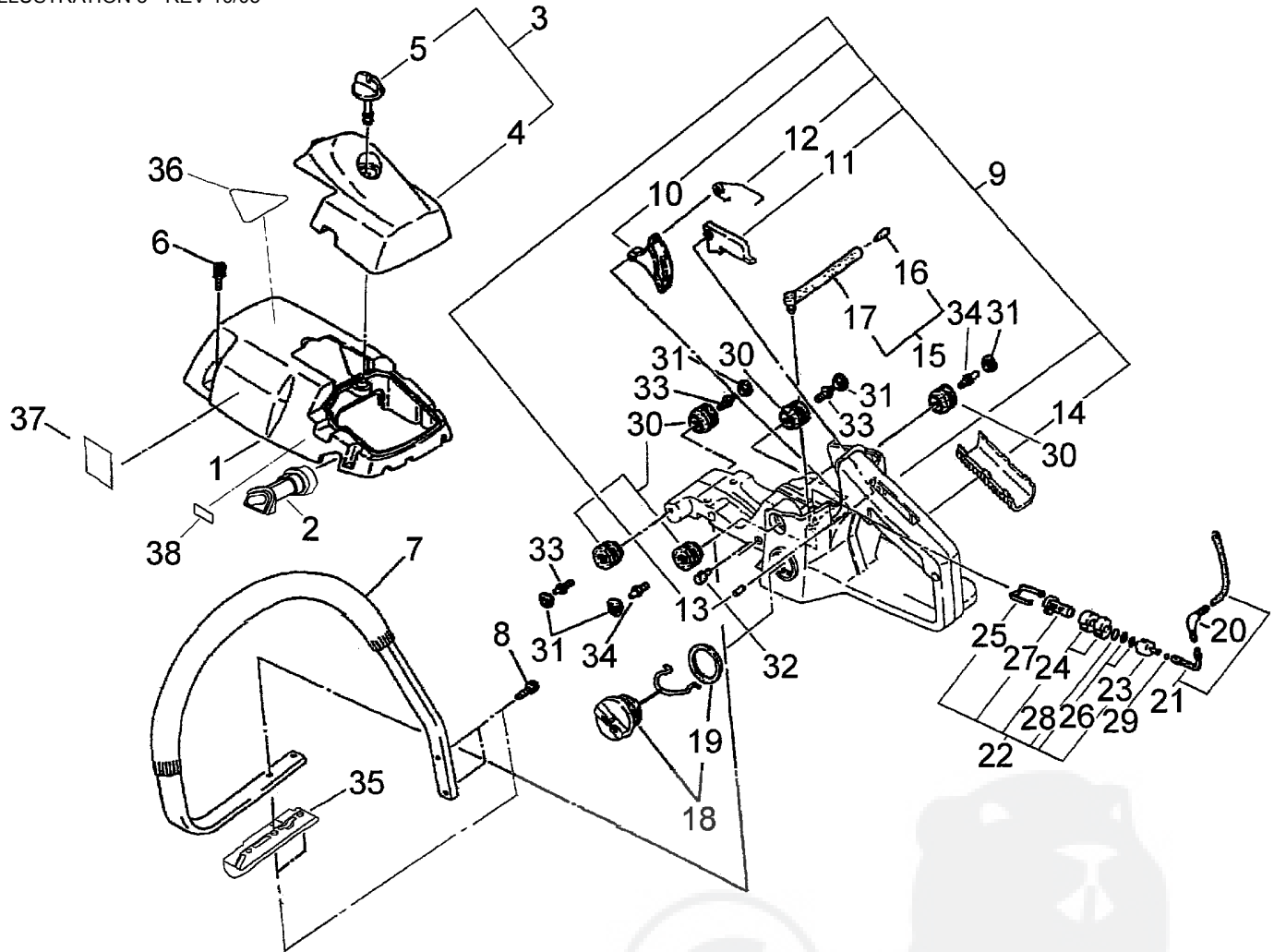


| Ref. No | Part No. | Part Name | Q'ty |
|---------|-------------|------------------|------|
| 2-1 | 22159-21201 | CRANKCASE M COMP | 1 |
| 2 | 22159-21212 | *CRANKCASE M | 1 |
| 3 | 22115-57120 | *VALVE OIL TANK | 1 |
| 4 | 12492-40080 | *ROLLER | 2 |
| 5 | 12900-60010 | *BEARING | 1 |
| 6 | 22150-21250 | *OIL SEAL | 1 |
| 7 | 72320-31403 | CAP ASSEMBLY | 1 |
| 8 | 22160-21351 | *GASKET CAP | 1 |
| 9 | 22159-21502 | CRANKCASE C COMP | 1 |
| 10 | 22159-21512 | *CRANKCASE C | 1 |
| 11 | 22120-12260 | *BOLT BAR | 2 |
| 12 | 12900-62010 | *BEARING | 1 |
| 13 | 22150-21250 | *OIL SEAL | 1 |
| 14 | 11060-05300 | BOLT ADHESIVE | 3 |
| 15 | 11060-05182 | BOLT ADHESIVE | 1 |
| 16 | 11060-05450 | BOLT ADHESIVE | 2 |
| 17 | 22180-22100 | SWITCH ASSEMBLY | 1 |
| 18 | 22156-22150 | *GROMMET | 1 |
| 19 | 39035-21310 | GASKET CASE | 1 |

* Denotes item is part of an assembly ** Denotes item is part of a sub-assembly

CYLINDER COVER / CLEANER / HANDLE / FUEL FILTER

ILLUSTRATION 3 - REV 10/05

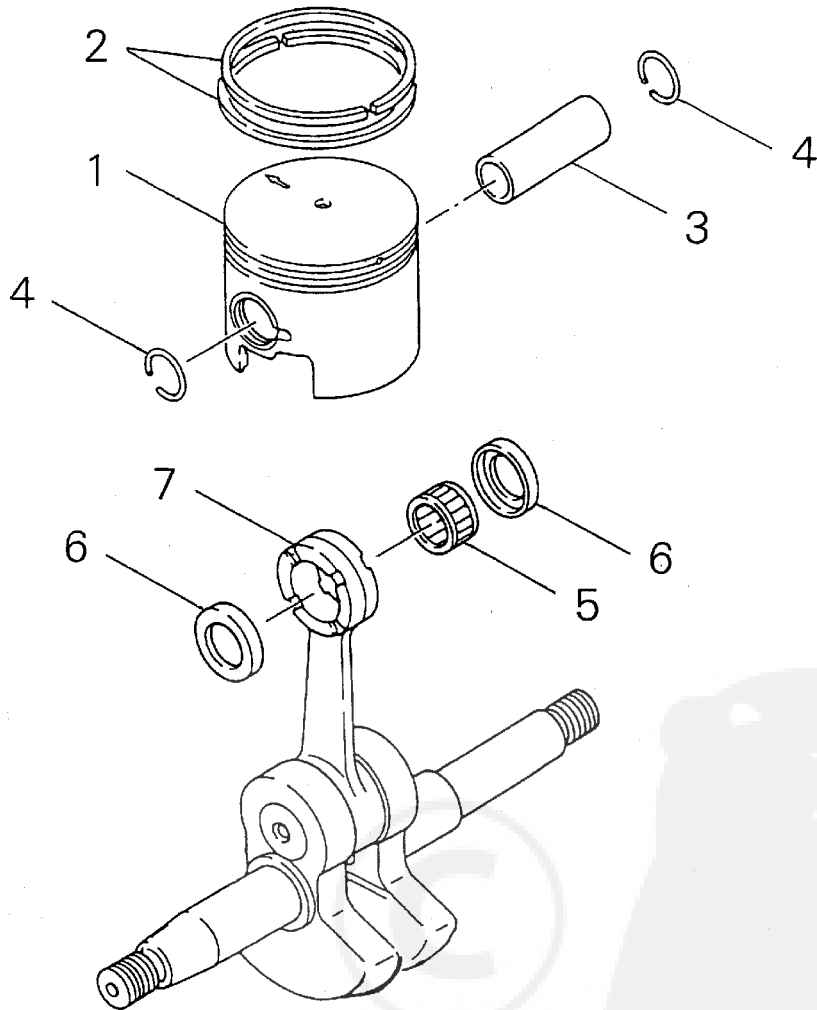


| Ref. No | Part No. | Part Name | Q'ty |
|---------|-------------|----------------------------|------|
| 3-1 | 39006-31020 | CYLINDER COVER | 1 |
| 2 | 69022-31310 | GROMMET | 1 |
| 3 | 39006-31031 | CLEANER COVER SUB ASSEMBLY | 1 |
| 4 | 39006-31040 | *CLEANER COVER | 1 |
| 5 | 22155-82520 | *KNOB CLEANER COVER | 1 |
| 6 | 11060-04160 | BOLT ADHESIVE | 3 |
| 7 | 22156-32111 | FRONT HANDLE | 1 |
| 8 | 11044-04180 | BOLT TAPPING | 2 |
| 9 | 69019-32030 | REAR HANDLE SUB ASSEMBLY | 1 |
| 10 | 22154-33320 | *THROTTLE LEVER | 1 |
| 11 | 69018-32250 | *LOCK LEVER | 1 |
| 12 | 17520-11300 | *COIL SPRING | 1 |
| 13 | 12420-40255 | *SPRING PIN | 2 |
| 14 | 22156-33230 | *GRIP | 1 |
| 15 | 22154-33900 | BREATHER ASSEMBLY | 1 |
| 16 | 22155-33950 | *ELEMENT | 1 |
| 17 | 22154-33940 | *PIPE | 1 |
| 18 | 22197-33802 | CAP ASSEMBLY | 1 |
| 19 | 22160-21351 | *GASKET CAP | 1 |

| Ref. No | Part No. | Part Name | Q'ty |
|---------|-------------|--------------------------|------|
| 20 | 22155-33930 | JOINT | 1 |
| 21 | 22159-34110 | FUEL PIPE | 1 |
| 22 | 22115-85401 | FUEL FILTER SUB ASSEMBLY | 1 |
| 23 | 22128-85410 | *FUEL LINE WEIGHT | 1 |
| 24 | 22128-85421 | *FILTER | 2 |
| 25 | 22128-85440 | *CLIP FILTER | 1 |
| 26 | 22118-85460 | *SCREEN | 2 |
| 27 | 22128-85470 | *SLEEVE | 1 |
| 28 | 22128-85480 | *RING | 1 |
| 29 | 20020-85540 | *CLIP | 1 |
| 30 | 22154-33731 | CUSHION 22 | 5 |
| 31 | 22154-33740 | PLUG 22 | 5 |
| 32 | 22154-33750 | SUPPORTER | 1 |
| 33 | 22156-33750 | BOLT HI LO | 3 |
| 34 | 22154-33761 | STOP BOLT 22 | 2 |
| 35 | 39300-34310 | STAND | 1 |
| 36 | 19402-00083 | LABEL CAUTION | 1 |
| 37 | 19404-00039 | LABEL DECIBEL | 1 |
| 38 | 19401-00094 | LABEL INST | 1 |

PISTON

ILLUSTRATION 4 - REV 10/05

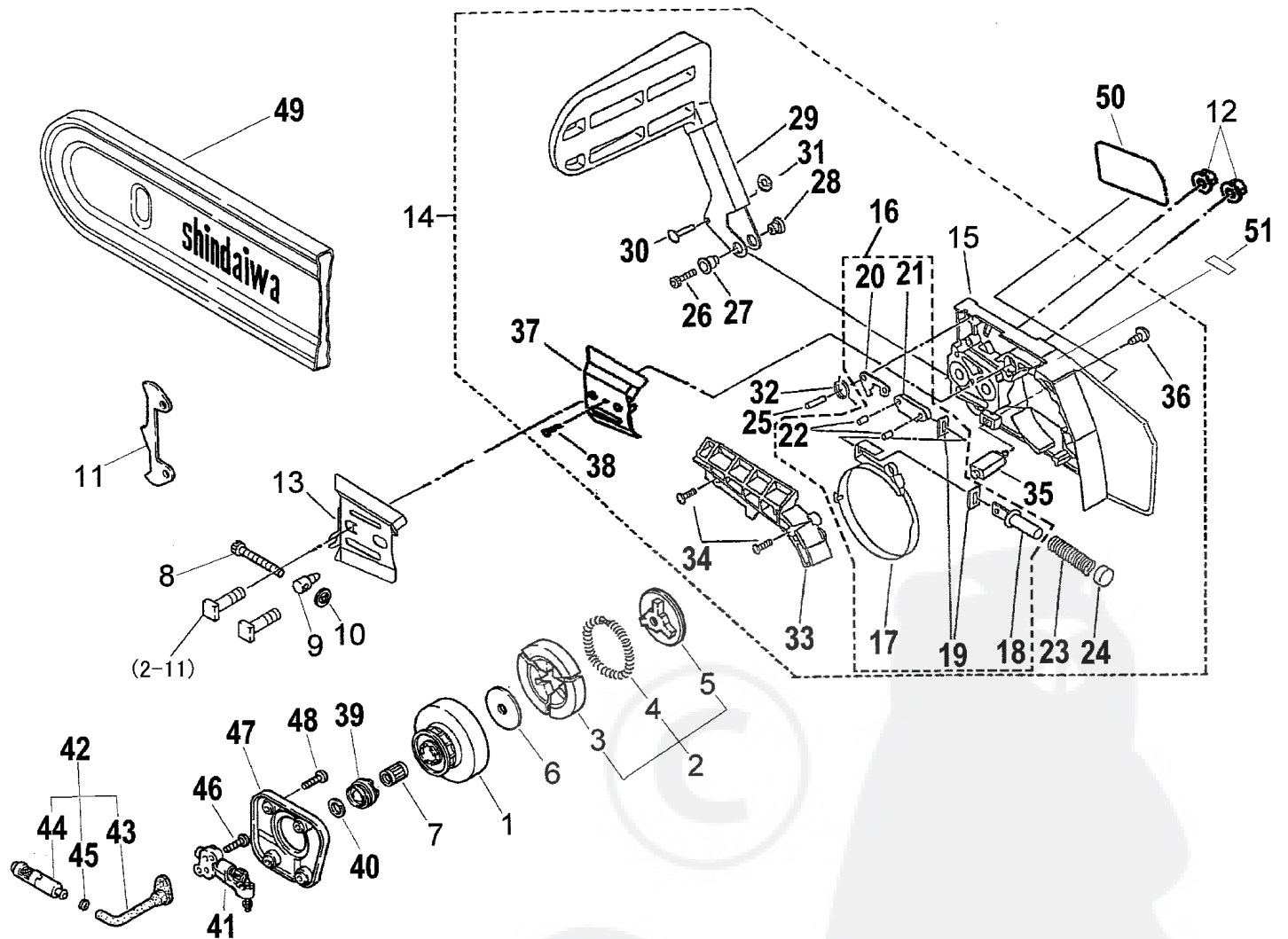


| Ref. No | Part No. | Part Name | Q'ty |
|---------|-------------|---------------------|------|
| 4-1 | 22156-41110 | PISTON | 1 |
| 2 | 22156-41210 | PISTON RING | 2 |
| 3 | 20010-41310 | PISTON PIN | 1 |
| 4 | 22100-41230 | SNAP RING | 2 |
| 5 | 20010-41330 | NEEDLE BEARING | 1 |
| 6 | 22156-41340 | THRUST WASHER | 2 |
| 7 | 22154-42000 | CRANKSHAFT ASSEMBLY | 1 |

* Denotes item is part of an assembly ** Denotes item is part of a sub-assembly

CLUTCH / OIL PUMP / CHAIN COVER

ILLUSTRATION 5 - REV 10/05



CLUTCH / OIL PUMP / CHAIN COVER

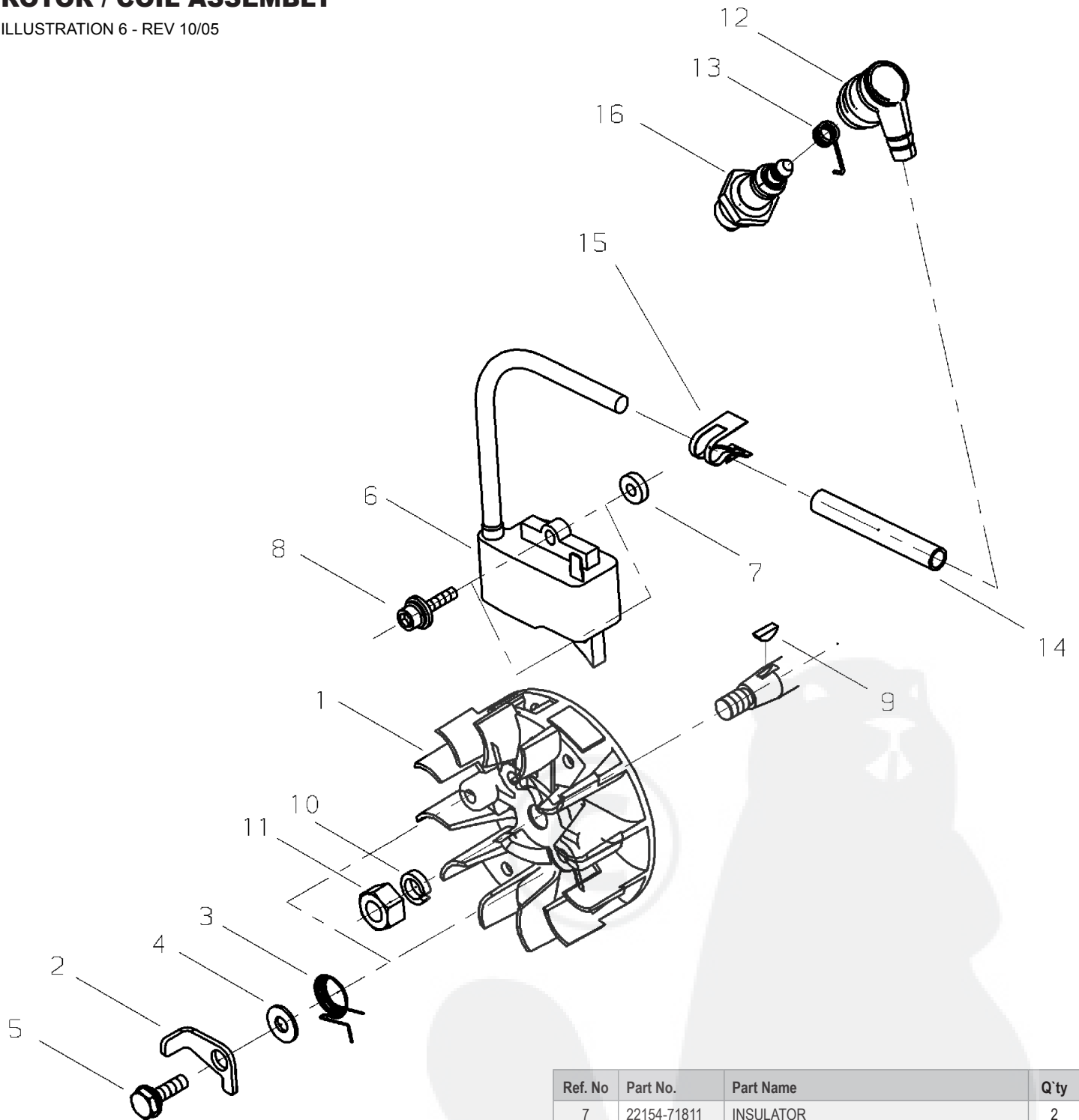
ILLUSTRATION 5 - REV 10/05

| Ref. No | Part No. | Part Name | Q'ty |
|---------|-------------|-----------------------|------|
| 5-1 | 22163-51110 | CLUTCH DRUM | 1 |
| 2 | 72348-51200 | CLUTCH ASSEMBLY | 1 |
| 3 | 72348-51220 | *CLUTCH SHOE | 3 |
| 4 | 22102-51230 | *CLUTCH SPRING | 1 |
| 5 | 22154-51240 | *CLUTCH BOSS B | 1 |
| 6 | 22154-51250 | CLUTCH BOSS A | 1 |
| 7 | 22102-51310 | NEEDLE BEARING | 1 |
| 8 | 22154-52421 | SLIDE SCREW | 1 |
| 9 | 22150-52440 | SLIDE PIECE | 1 |
| 10 | 22154-52450 | PUSH NUT | 1 |
| 11 | 22154-52530 | SPIKE | 1 |
| 12 | 22182-52411 | NUT | 2 |
| 13 | 39300-52130 | GUIDE PLATE | 1 |
| 14 | 69018-53012 | CLUTCH COVER ASSEMBLY | 1 |
| 15 | 39006-53024 | *CLUTCH COVER | 1 |
| 16 | 39020-53320 | *BRAKE BAND COMP | 1 |
| 17 | 72345-54210 | **BRAKE BAND | 1 |
| 18 | 72316-54220 | **HOLDER SPRING | 1 |
| 19 | 72316-54310 | **ADJUST PLATE | 2 |
| 20 | 22173-54561 | **INNER LEVER | 1 |
| 21 | 72316-54570 | **TIE STRAP | 1 |
| 22 | 12492-40080 | **ROLLER | 2 |
| 23 | 72346-54230 | *BRAKE SPRING | 1 |
| 24 | 72316-54240 | *STOPPER | 1 |
| 25 | 12492-40140 | *ROLLER | 1 |

| Ref. No | Part No. | Part Name | Q'ty |
|---------|-------------|-------------------|------|
| 26 | 01020-04120 | *BOLT | 1 |
| 27 | 69018-53310 | *HOLDER | 1 |
| 28 | 39309-53320 | *NUT LEVER | 1 |
| 29 | 72316-54511 | *LEVER | 1 |
| 30 | 69018-53320 | *PIN LEVER | 1 |
| 31 | 23115-63160 | *NUT | 1 |
| 32 | 72316-54580 | *SPRING LEVER | 1 |
| 33 | 72327-54610 | *COVER | 1 |
| 34 | 01270-04122 | *SCREW TAPPING | 2 |
| 35 | 22154-54611 | *CHAIN CATCHER | 1 |
| 36 | 01275-03102 | *SCREW TRUSS T | 1 |
| 37 | 22159-54160 | *GUIDE PLATE B | 1 |
| 38 | 01270-04082 | *SCREW TAPPING | 1 |
| 39 | 22154-55110 | GEAR | 1 |
| 40 | 22154-55120 | THRUST PLATE | 1 |
| 41 | 22154-55200 | OIL PUMP ASSEMBLY | 1 |
| 42 | 22154-55301 | OIL PIPE ASSEMBLY | 1 |
| 43 | 22154-55310 | *OIL PIPE | 1 |
| 44 | 22154-55330 | *OIL FILTER | 1 |
| 45 | 22154-85540 | *CLIP OIL | 1 |
| 46 | 11260-04120 | SCREW ADHESIVE | 2 |
| 47 | 22154-56110 | PUMP COVER | 1 |
| 48 | 11260-04120 | SCREW ADHESIVE | 4 |
| 49 | 19600-44100 | CHAIN COVER | 1 |
| 50 | 69022-91320 | LABEL TRADE | 1 |
| 51 | 19401-00093 | LABEL INST | 1 |

ROTOR / COIL ASSEMBLY

ILLUSTRATION 6 - REV 10/05

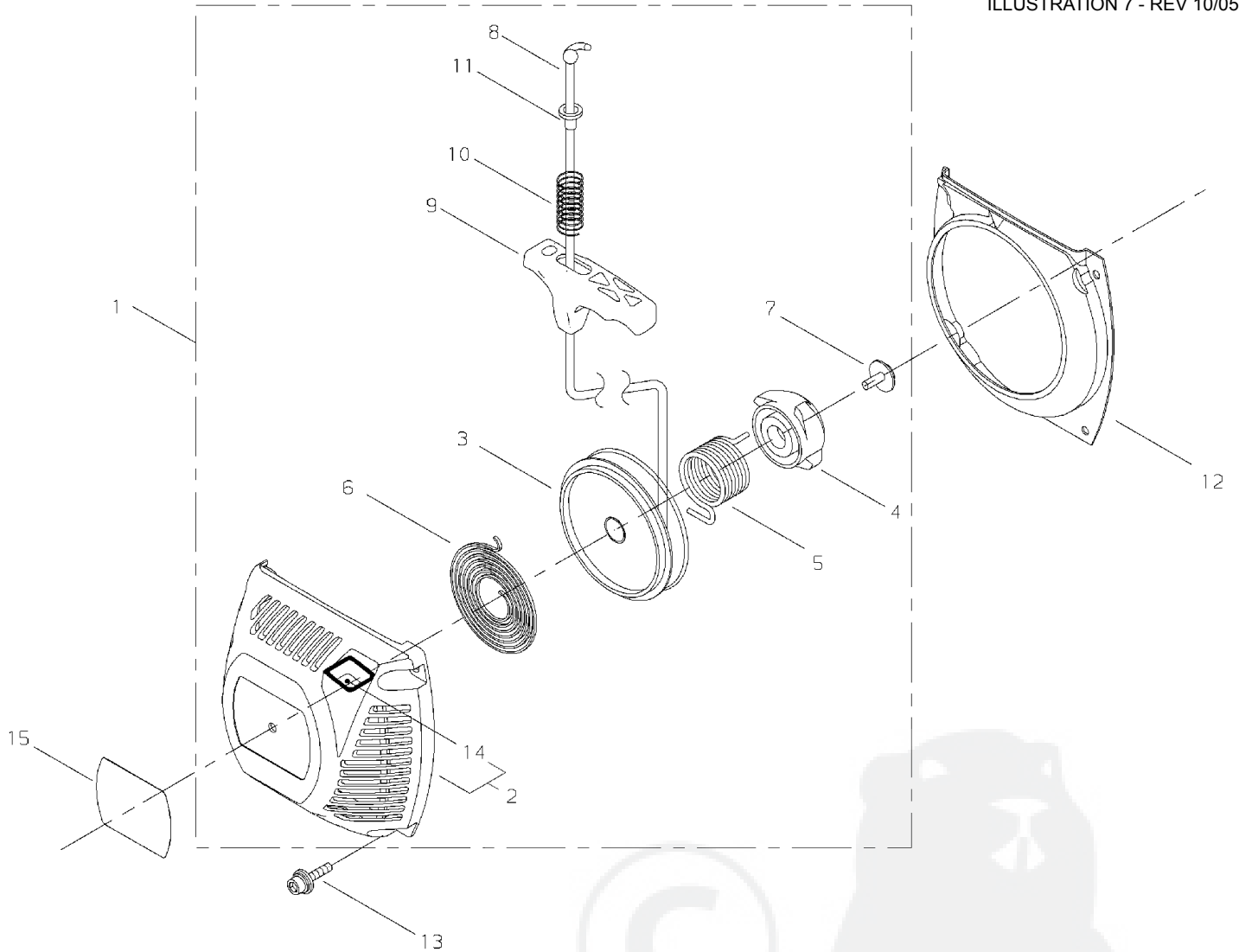


| Ref. No | Part No. | Part Name | Q'ty |
|---------|-------------|----------------|------|
| 6-1 | 39300-71110 | ROTOR | 1 |
| 2 | 22182-71412 | RATCHET | 2 |
| 3 | 22182-71421 | SPRING RATCHET | 2 |
| 4 | 22182-71430 | WASHER | 2 |
| 5 | 22182-71440 | BOLT | 2 |
| 6 | 39300-71020 | COIL ASSEMBLY | 1 |

| Ref. No | Part No. | Part Name | Q'ty |
|---------|-------------|-------------------|------|
| 7 | 22154-71811 | INSULATOR | 2 |
| 8 | 11022-04200 | BOLT SPW | 2 |
| 9 | 02403-03100 | KEY | 1 |
| 10 | 01600-08201 | SPRING WASHER | 1 |
| 11 | 22100-43231 | NUT | 1 |
| 12 | 22160-72220 | PLUG CAP | 1 |
| 13 | 22154-72230 | SPRING PLUG | 1 |
| 14 | 70064-72110 | TUBE | 1 |
| 15 | 22154-72240 | CLIP | 1 |
| 16 | 13000-13507 | SPARK PLUG BPMR7A | 1 |

RECOIL STARTER

ILLUSTRATION 7 - REV 10/05

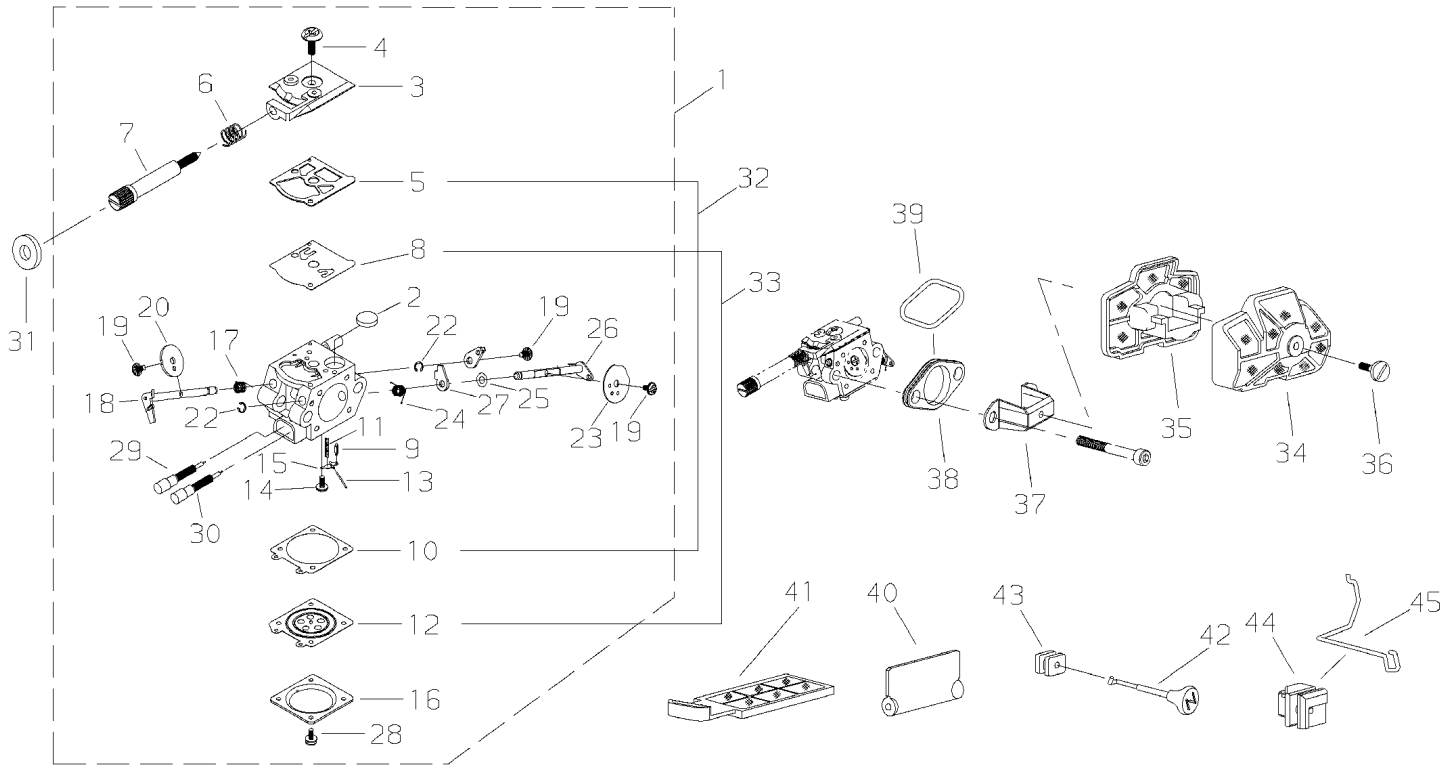


| Ref. No | Part No. | Part Name | Q'ty |
|---------|-------------|-------------------------|------|
| 7-1 | 39300-75010 | RECOIL STARTER ASSEMBLY | 1 |
| 2 | 39300-75110 | *STARTER CASE | 1 |
| 14 | 22182-75120 | **GUIDE | 1 |
| 3 | 39300-75121 | *REEL | 1 |
| 4 | 39300-75311 | *CAM | 1 |
| 5 | 39300-75320 | *COIL SPRING | 1 |
| 6 | 39300-75130 | *RECOIL SPRING | 1 |
| 7 | 39300-75330 | *SCREW | 1 |
| 8 | 39300-75140 | *ROPE | 1 |
| 9 | 39300-75150 | *KNOB | 1 |
| 10 | 39300-75340 | *COIL SPRING | 1 |
| 11 | 39300-75350 | *SPACER | 1 |
| 12 | 39300-75210 | AIR PLATE | 1 |
| 13 | 11060-04200 | BOLT ADHESIVE | 4 |
| 15 | 69022-91330 | LABEL TRADE | 1 |

* Denotes item is part of an assembly ** Denotes item is part of a sub-assembly

CARBURETOR / AIR CLEANER

ILLUSTRATION 8 - REV 10/05

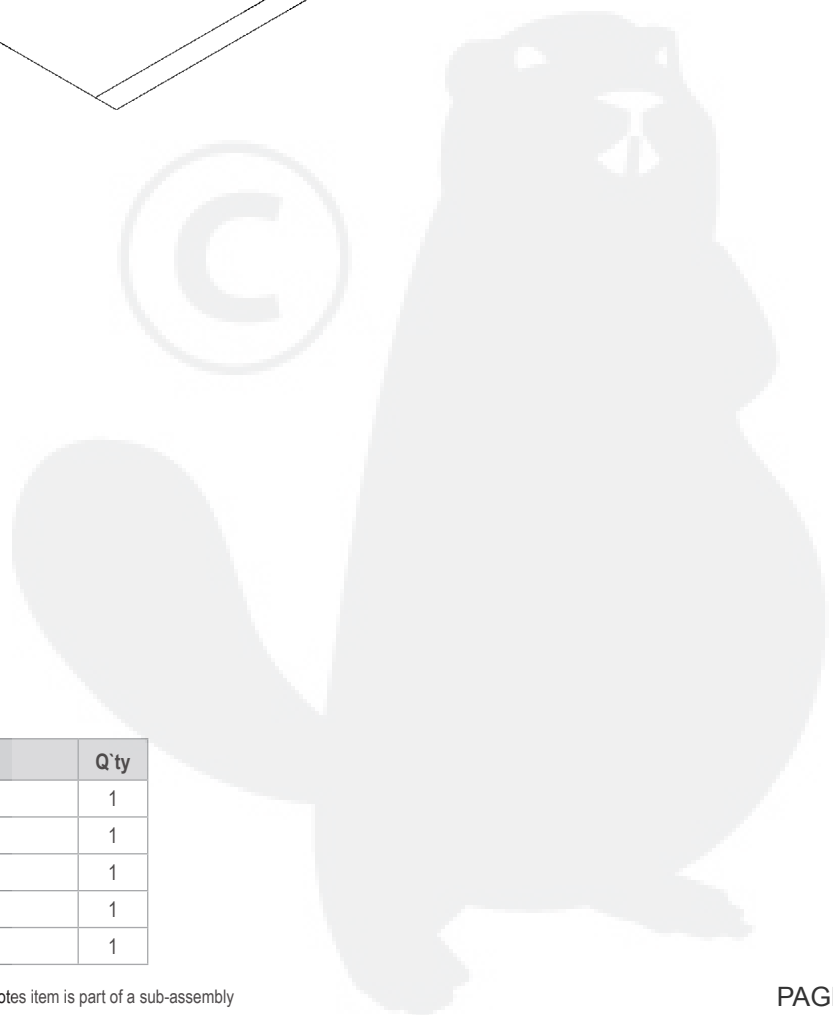
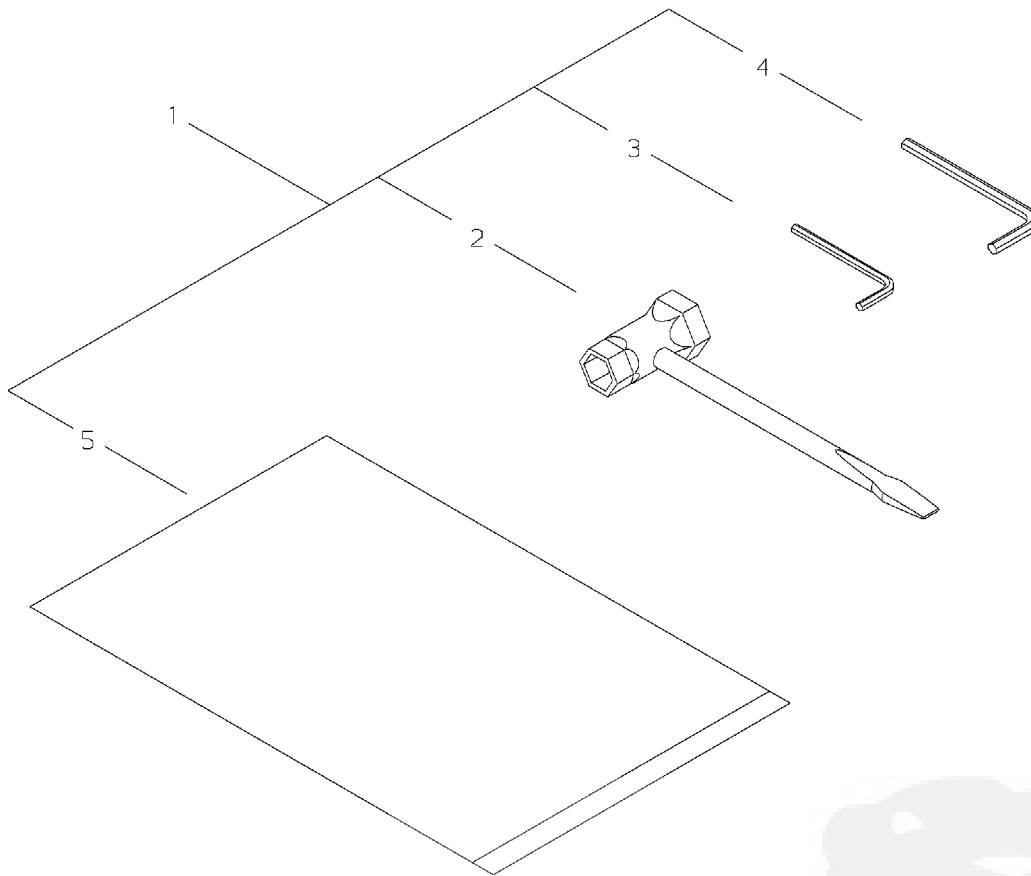


| Ref. No | Part No. | Part Name | Q'ty |
|---------|-------------|----------------------|------|
| 8-1 | 69023-81010 | CARBURETOR ASSEMBLY | 1 |
| 2 | 70030-81380 | *SCREEN | 1 |
| 3 | 22156-81120 | *PUMP COVER ASSEMBLY | 1 |
| 4 | 22100-81130 | *SCREW | 1 |
| 5 | 22128-81140 | *GASKET PUMP COVER | 1 |
| 6 | 22156-81420 | *SPRING IDLE | 1 |
| 7 | 22156-81410 | *IDLE SCREW | 1 |
| 8 | 22128-81150 | *DIAPHRAGM PUMP | 1 |
| 9 | 20036-81440 | *NEEDLE VALVE | 1 |
| 10 | 39300-81320 | *GASKET | 1 |
| 11 | 72342-81270 | *SPRING LEVER | 1 |
| 12 | 22100-81260 | *DIAPHRAGM ASSEMBLY | 1 |
| 13 | 22100-81250 | *PIN | 1 |
| 14 | 22100-81240 | *SCREW | 1 |
| 15 | 22100-81230 | *LEVER | 1 |
| 16 | 22100-81280 | *COVER DIAPHRAGM | 1 |
| 17 | 22100-81410 | *SPRING SHAFT | 1 |
| 18 | 69018-81310 | *SHAFT ASSEMBLY | 1 |
| 19 | 20803-81150 | *SCREW | 3 |
| 20 | 22104-81340 | *THROTTLE VALVE | 1 |
| 22 | 70030-81390 | *E-RING | 2 |
| 23 | 39006-81320 | *CHOKE VALVE | 1 |
| 24 | 22180-81460 | *SPRING CHOKE | 1 |
| 25 | 20036-81185 | *WASHER | 1 |

| Ref. No | Part No. | Part Name | Q'ty |
|---------|-------------|---------------------|------|
| 26 | 22180-81740 | *SHAFT ASSEMBLY | 1 |
| 27 | 22180-81471 | *LEVER | 1 |
| 28 | 22100-81351 | *SCREW | 4 |
| 29 | 69022-81320 | *NEEDLE | 1 |
| 30 | 69022-81330 | *NEEDLE | 1 |
| 31 | 22156-81440 | SEAL COLLAR | 1 |
| 32 | 39300-98320 | GASKET SET | 1 |
| 5 | 22128-81140 | *GASKET PUMP COVER | 1 |
| 10 | 39300-81320 | *GASKET | 1 |
| 33 | 22128-81910 | DIAPHRAGM KIT | 1 |
| 8 | 22128-81150 | *DIAPHRAGM PUMP | 1 |
| 12 | 22100-81260 | *DIAPHRAGM ASSEMBLY | 1 |
| 34 | 69018-82323 | AIR CLEANER UPPER | 1 |
| 35 | 69018-82333 | AIR CLEANER LOWER | 1 |
| 36 | 69018-82361 | SCREW | 1 |
| 37 | 69018-82340 | BRACKET | 1 |
| 38 | 69018-82350 | BRACKET | 1 |
| 39 | 02304-02242 | O-RING | 1 |
| 40 | 22154-82320 | SHUTTER | 1 |
| 41 | 22154-82310 | AIR CLEANER | 1 |
| 42 | 22180-82121 | CHOKE ROD | 1 |
| 43 | 22180-82130 | GROMMET CHOKE | 1 |
| 44 | 22154-82150 | GROMMET ROD | 1 |
| 45 | 69018-83323 | THROTTLE ROD | 1 |

TOOL SET

ILLUSTRATION 9 - REV 10/05



| Ref. No | Part No. | Part Name | Q'ty |
|---------|-------------|------------------|------|
| 9- 1 | 69023-92310 | TOOL SET | 1 |
| 2 | 22000-91181 | *PLUG WRENCH | 1 |
| 3 | 09026-03001 | *HEXA WRENCH 4MM | 1 |
| 4 | 09026-04001 | *HEXA WRENCH 5MM | 1 |
| 5 | 19639-01100 | *POLY BAG | 1 |

* Denotes item is part of an assembly ** Denotes item is part of a sub-assembly



shindaiwa

www.shindaiwa.com

11975 SW Herman Road, Tualatin, Oregon 97062, U.S.A.

1 + 503.692.3070 • fax 1 + 503.692.6696 •

Item #xxxx Effective 10/05