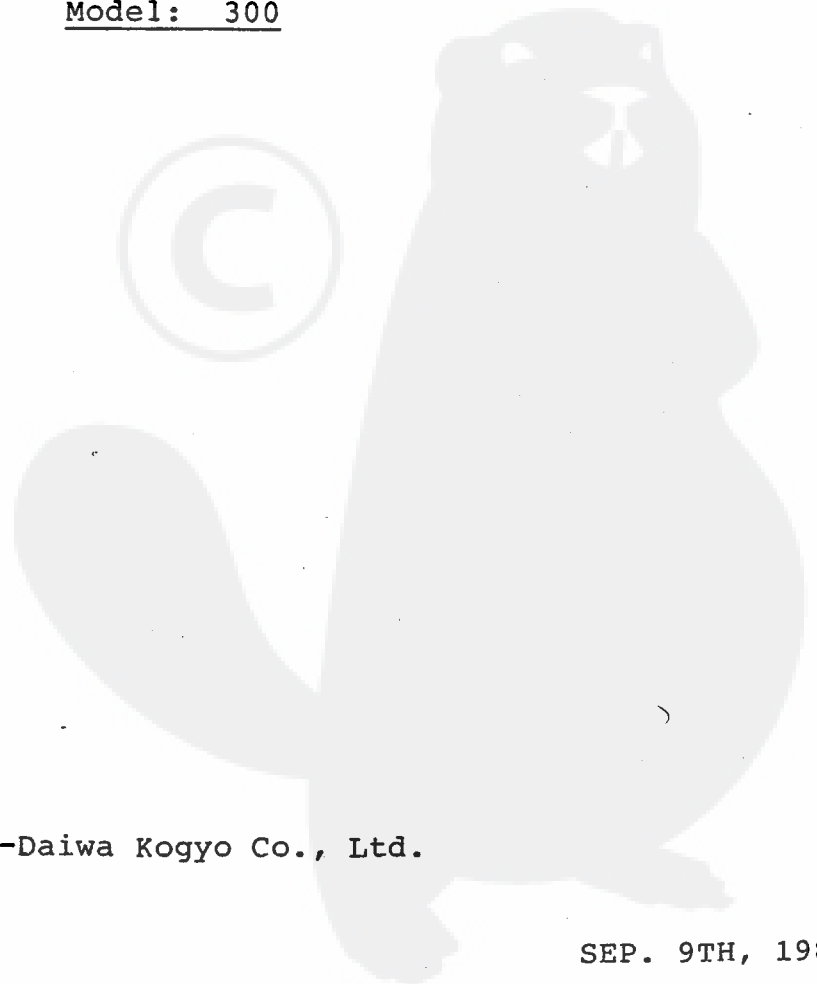
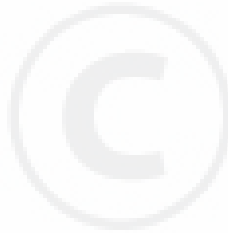


PARTS PRICE LIST

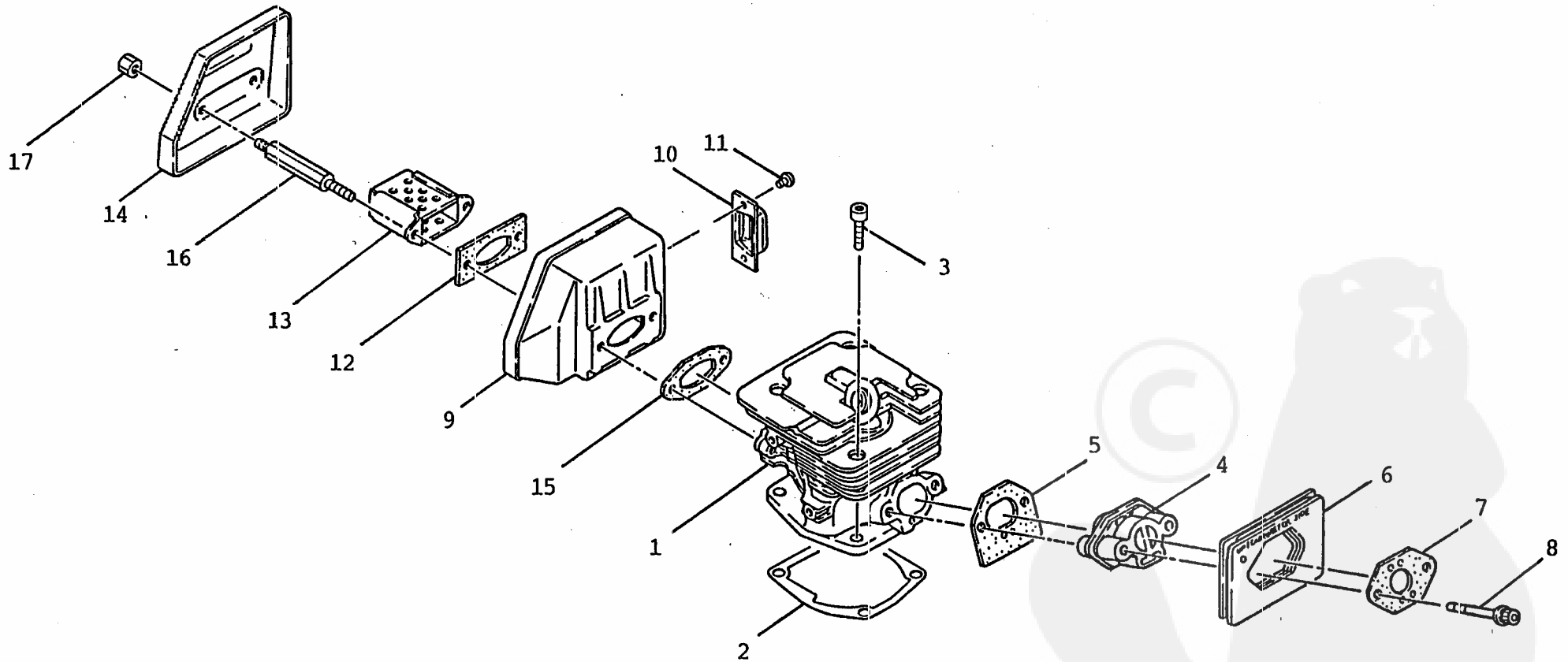
SHINDAIWA

Model: 300

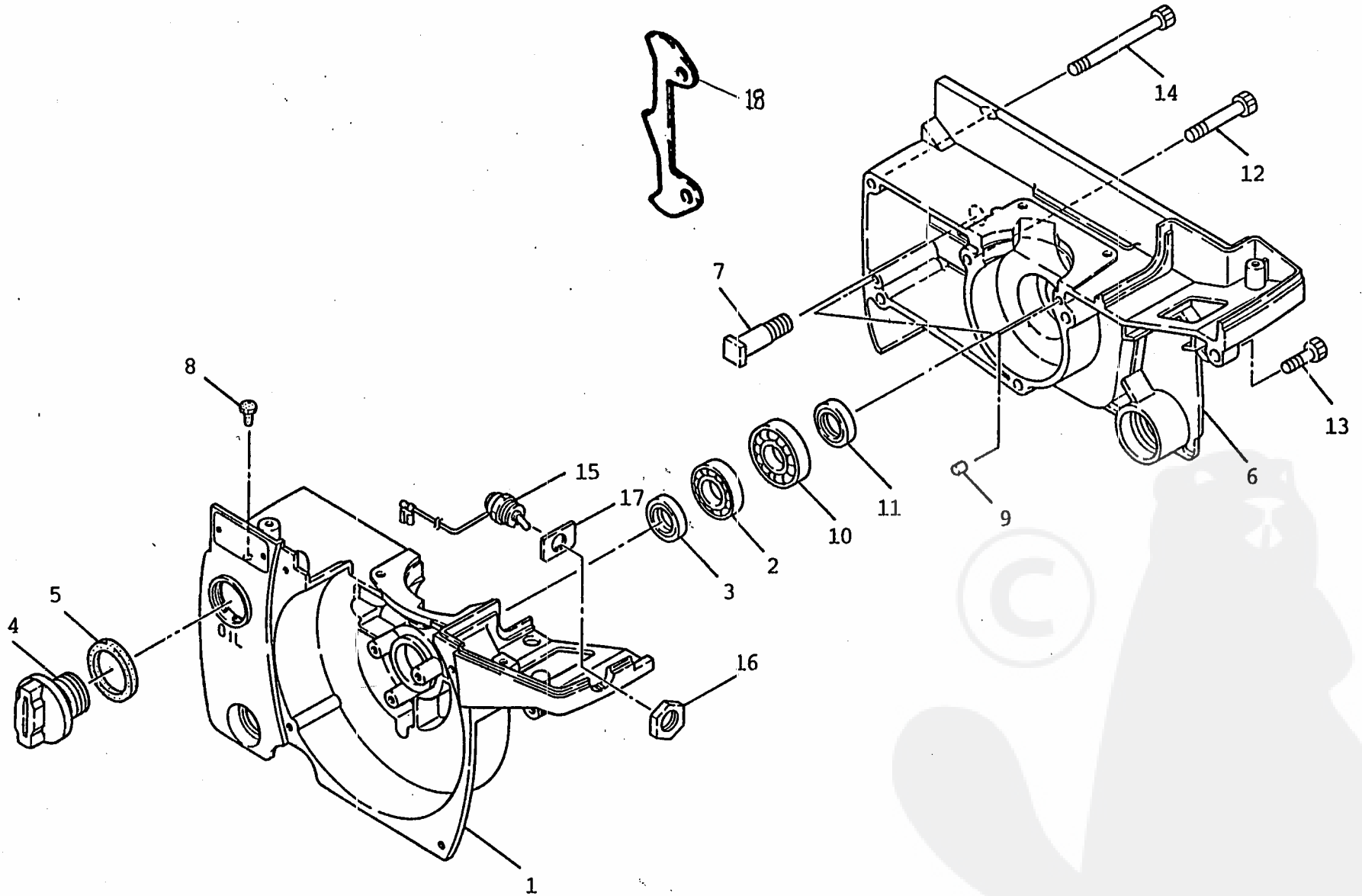


Shin-Daiwa Kogyo Co., Ltd.

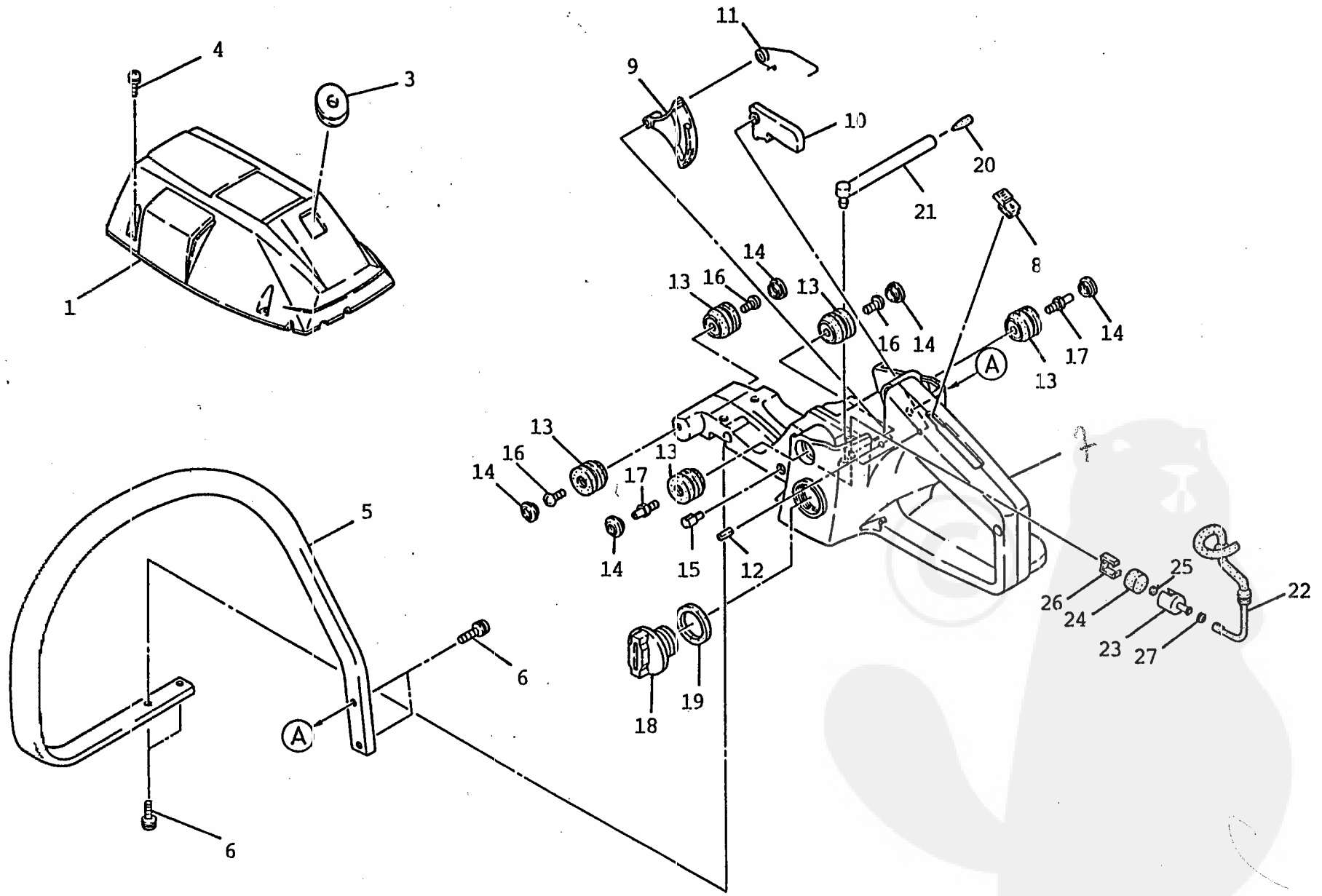
SEP. 9TH, 1988



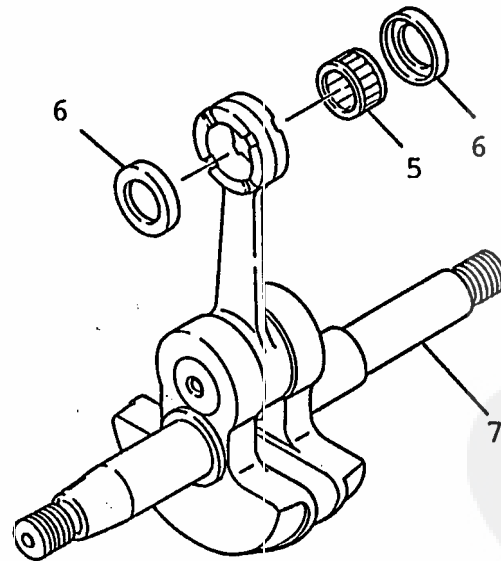
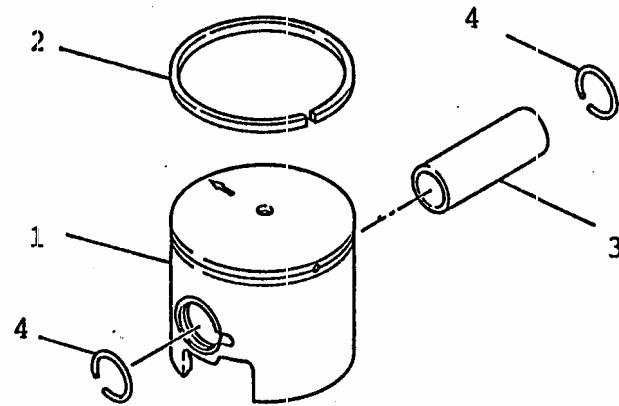
1. CYLINDER
MUFFLER



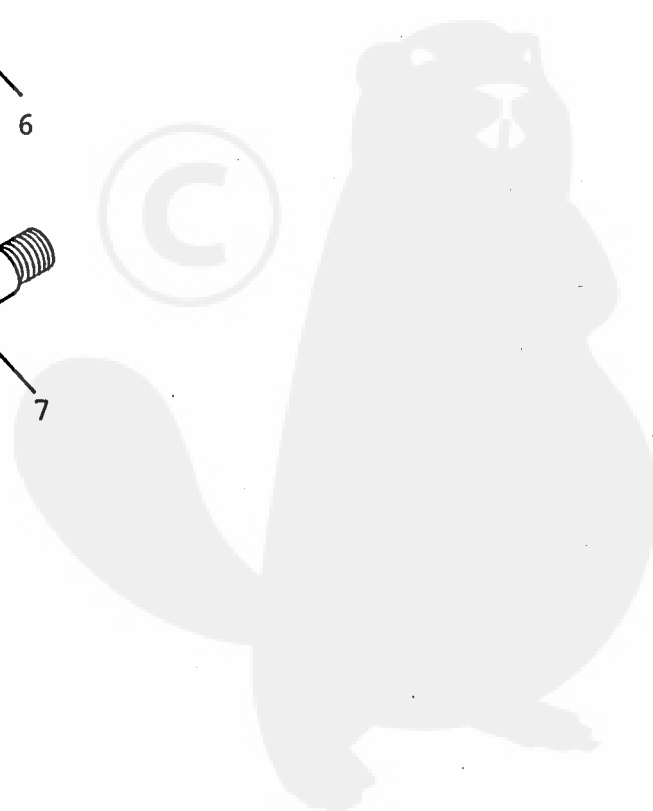
2. CRANK CASE

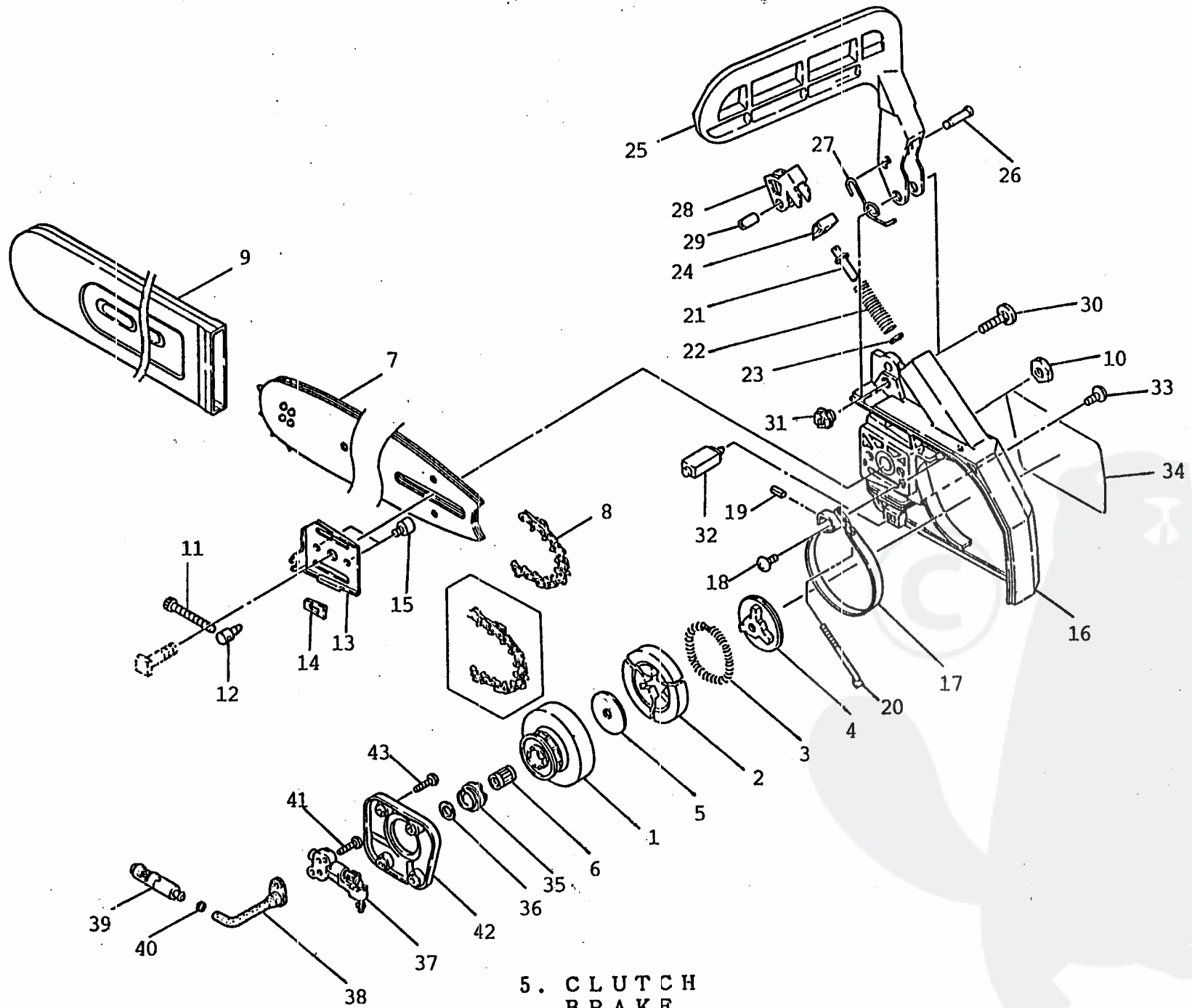


3. HANDLE



4. PISTON
CRANK SHAFT

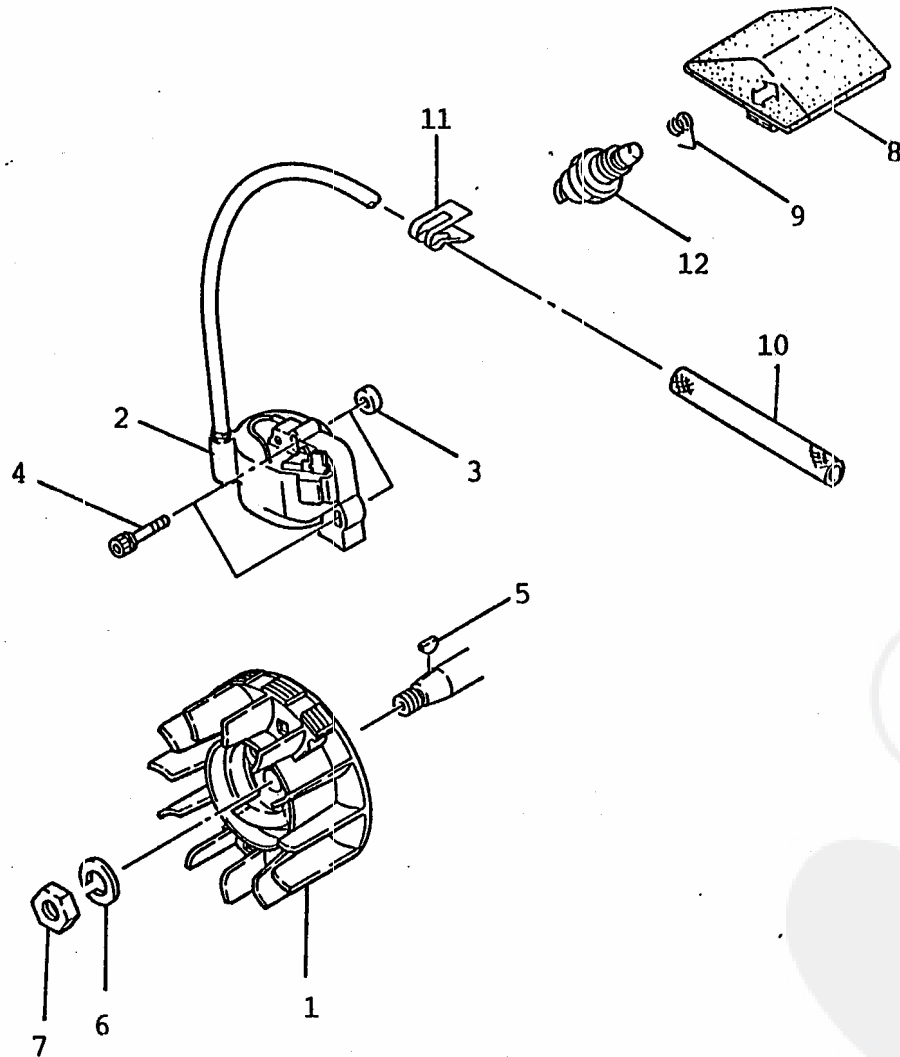




5. CLUTCH
BRAKE

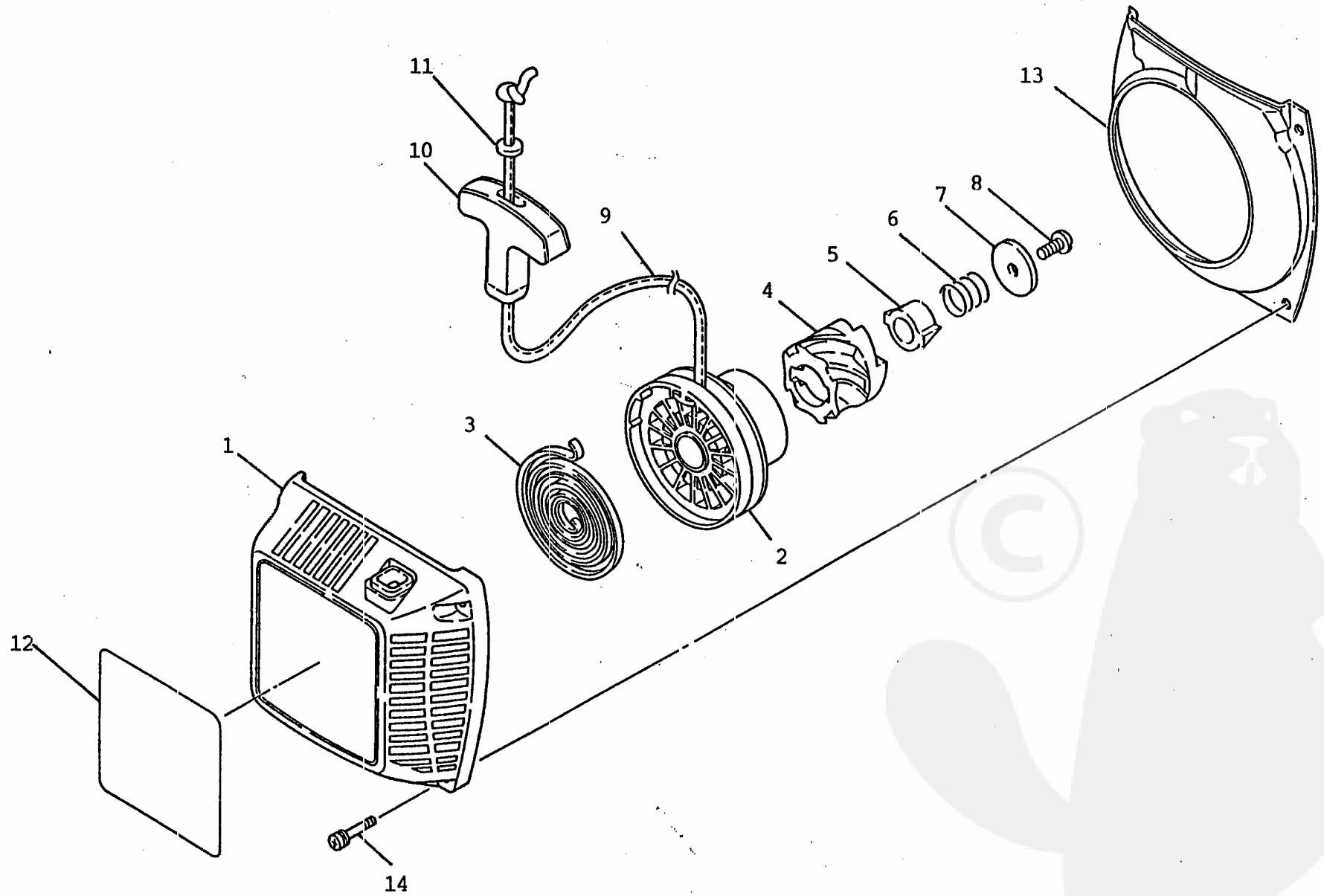
Ref. No	Part No.	Part Name	Q'ty
5- 1	22163-51110	CLUTCH DRUM	1
	22154-51200	CLUTCH ASSY	1
2	22154-51220	• CLUTCH SHOE	3
3	22102-51230	• CLUTCH SPRING	1
4	22154-51240	• CLUTCH BOSS B	1
5	22154-51250	CLUTCH BOSS A	1
6	22102-51310	NEEDLE BEARING	1
7	72296-52110	GUIDE BAR	1
8	18031-00450	SAW CHAIN	1
9	72124-52310	PROTECTOR	1
10	22154-52410	NUT	1
11	22154-52420	SLIDE SCREW	1
12	22150-52440	SLIDE PIECE	1
13	22154-52460	MAUNT GUARD	1
14	22154-52470	CHAIN PAT	1
15	22154-52490	PIN BAR	2
	72288-54100	BRAKE ASSY	1
16	22154-54110	• COVER	1
17	22156-54210	• BRAKE BAND	1
18	01275-05102	• SCREW TRUSS C	1
19	02427-40125	• PIN	1
20	22156-54310	• ADJUST ROD	1
21	22156-54320	• ADJUST SCREW	1
22	22156-54330	• BRAKE SPRING	1
23	01613-06100	• WASHER	1
24	22156-54410	• BLOCK	1
25	72288-54510	• LEVER	1
26	22156-54520	• STOPPER PIN	1
27	22154-54540	• RELIEF SPRING	1
28	22156-54560	• LEVER-C	1
29	22156-54570	• PIN LEVER	1
30	22154-54580	• BOLT LEVER	1
31	22154-54590	• NUT LEVER	1
32	22154-54610	• CHAIN CATCHER	1
33	01275-03082	• SCREW TRUSS T	1
35	22154-55110	GEAR	1
36	22154-55120	THRUST PLATE	1
37	22154-55200	OIL PUMP-A	1

e m a r k s

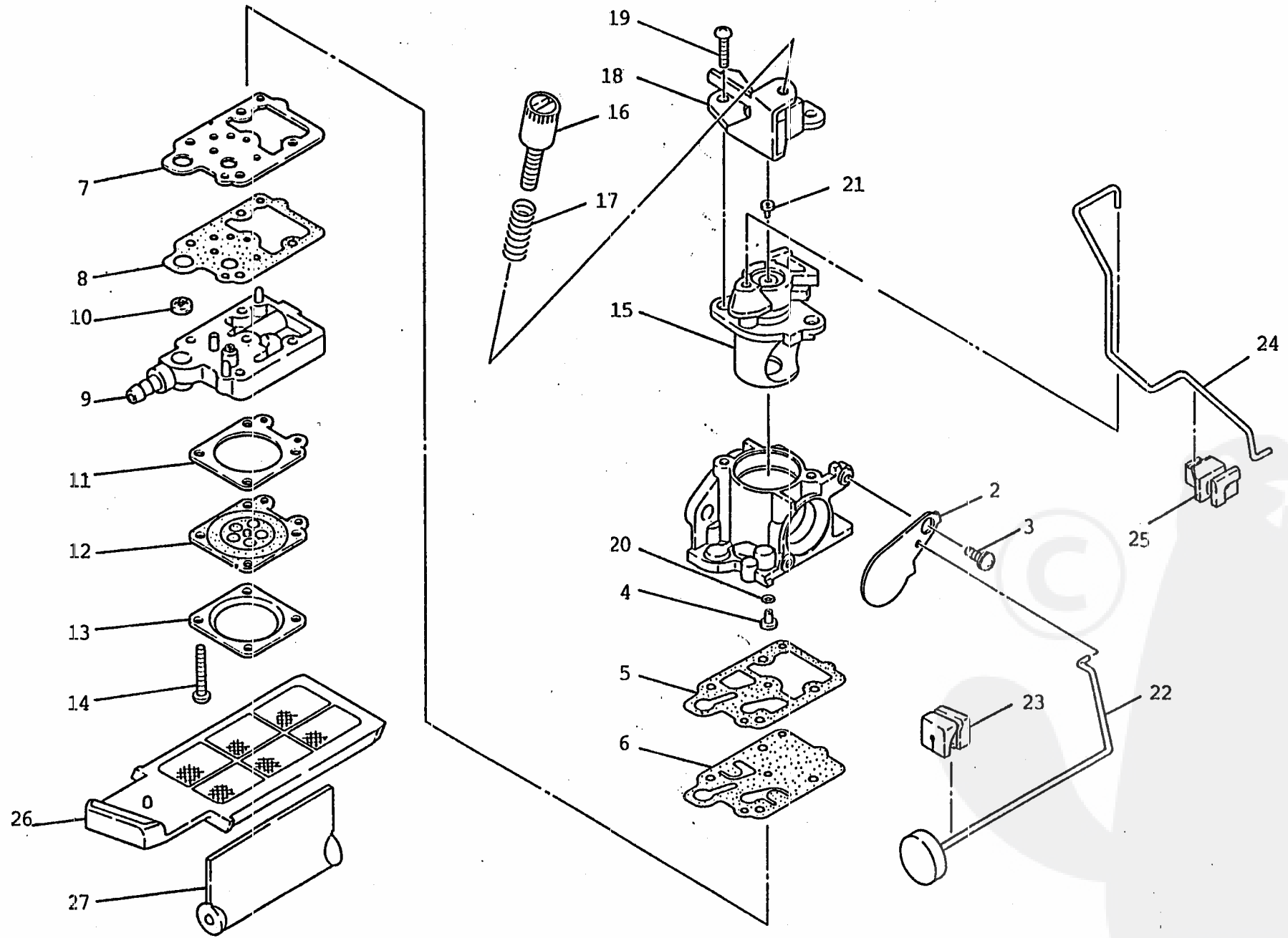


6. MAGNETO

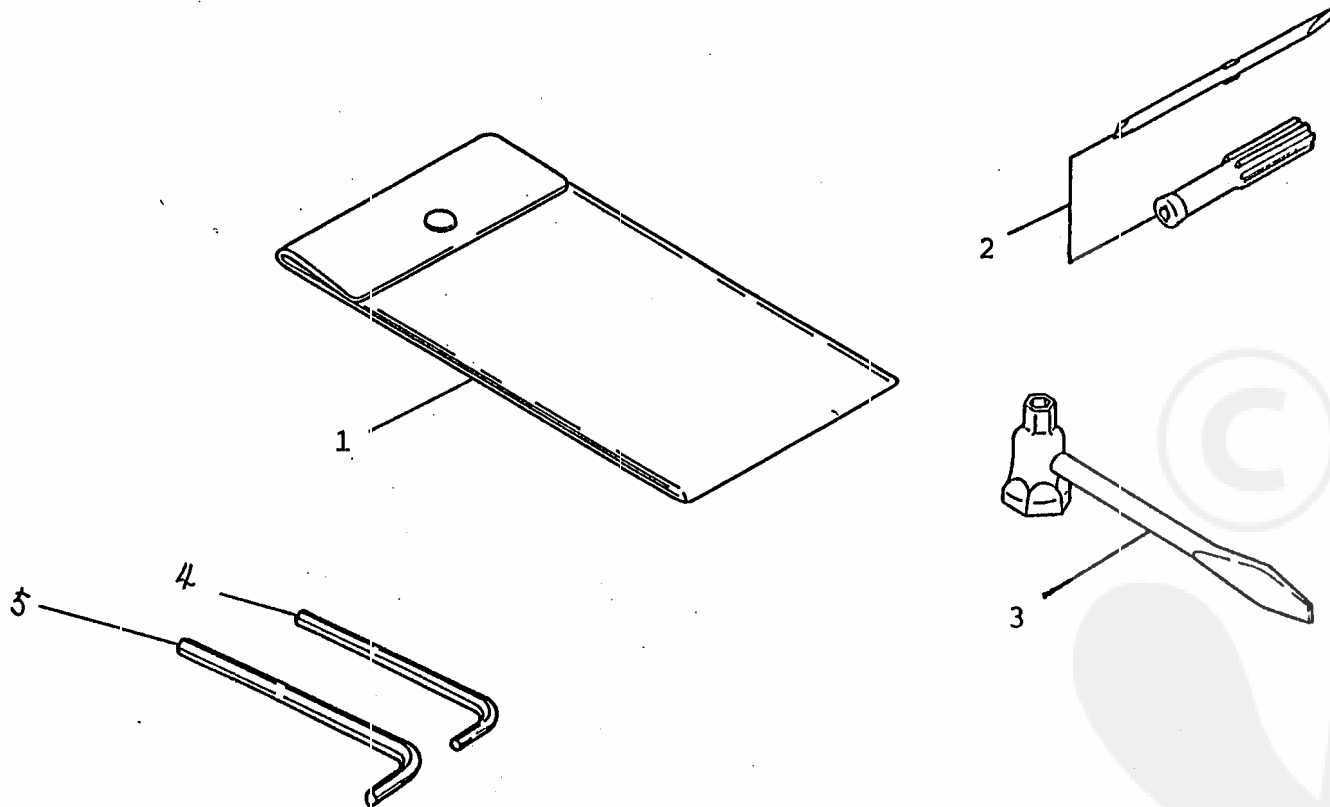




7. STARTER



8. CARBURETOR



9. TOOL

