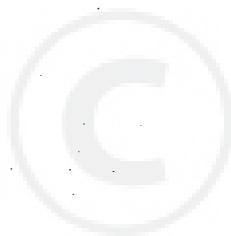


shindaiwa

PARTS PRICE LIST

685



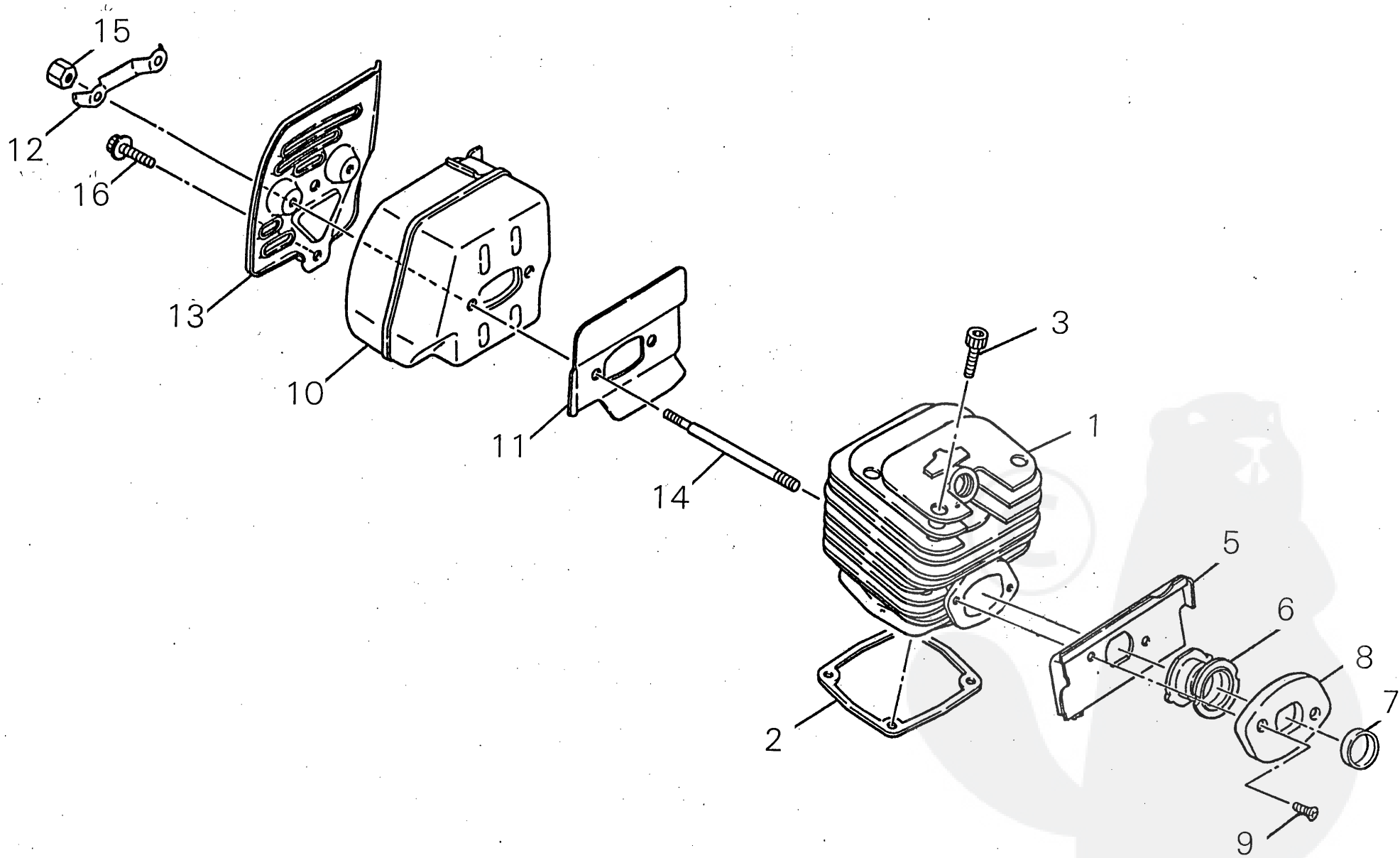
SHIN-DAIWA KOGYO CO., LTD.

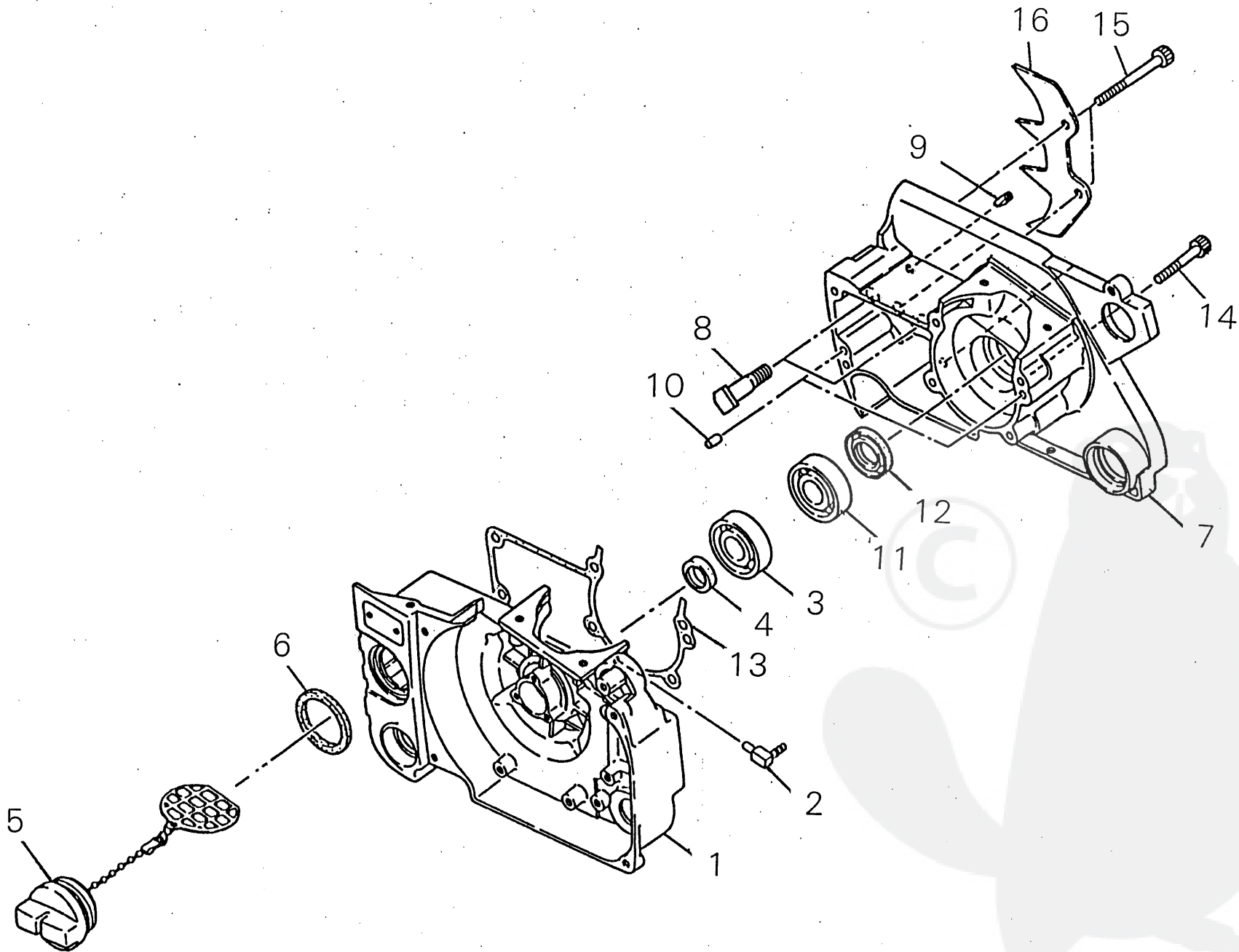
35, Ooaza Shin-Ujigami, Chiyoda-cho Yamagata-gun, Hiroshima, 731-14 Japan

Telephone (082672) 6011 Telex 665871 SDKHIR Fax (082672) 6001, 6002

Cable Address SHINDAIWA HIROSHIMA

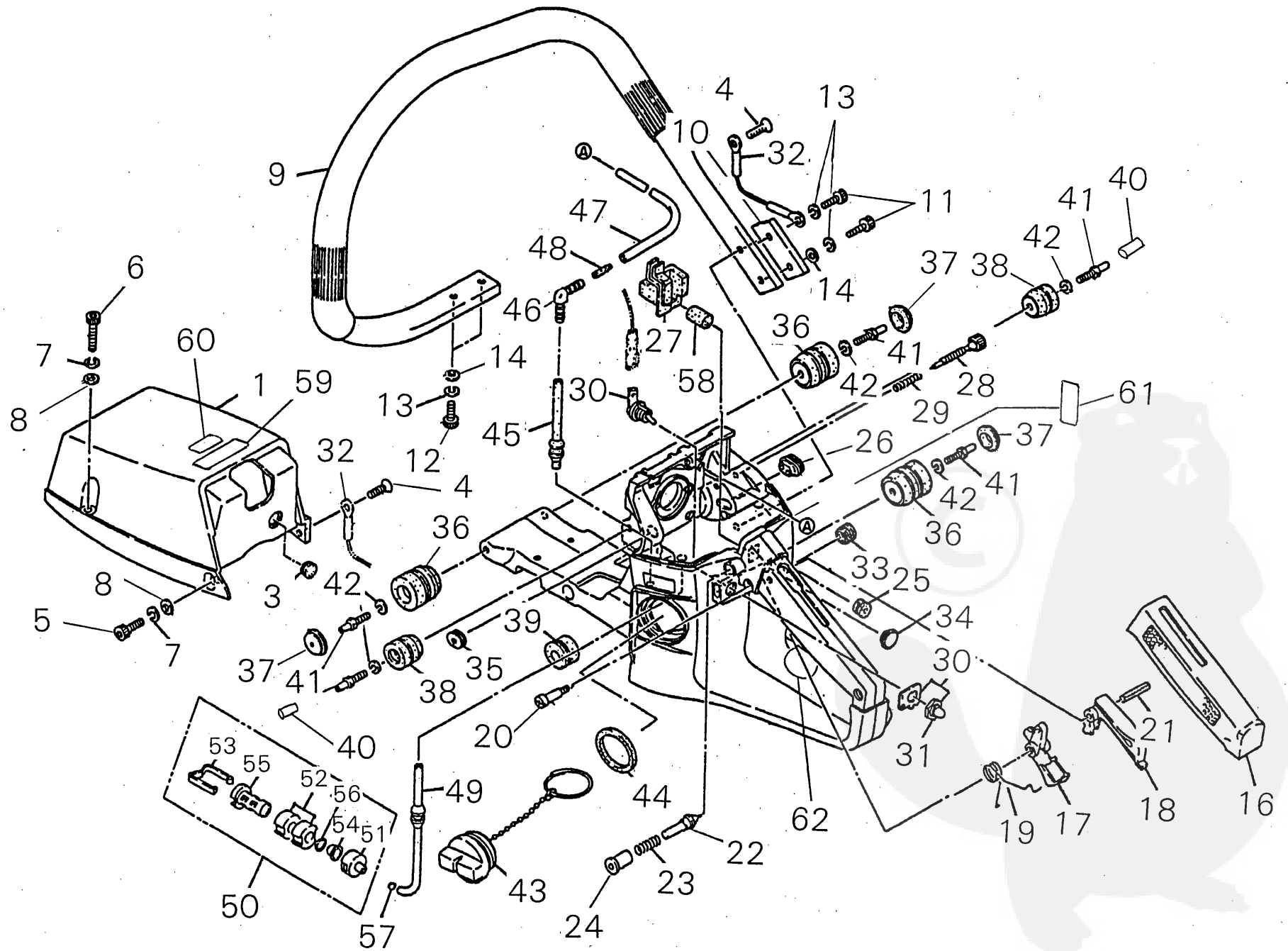
MAV 21 1991





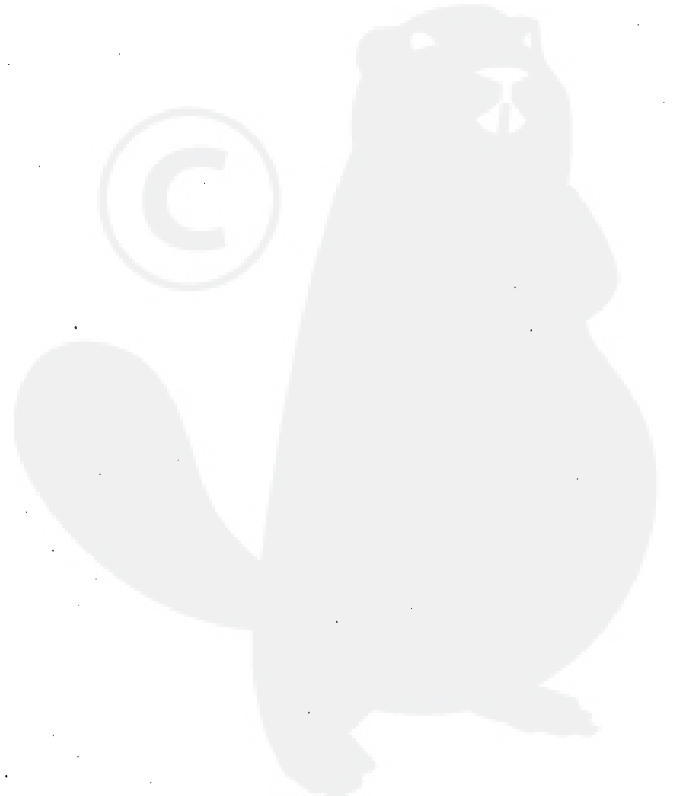
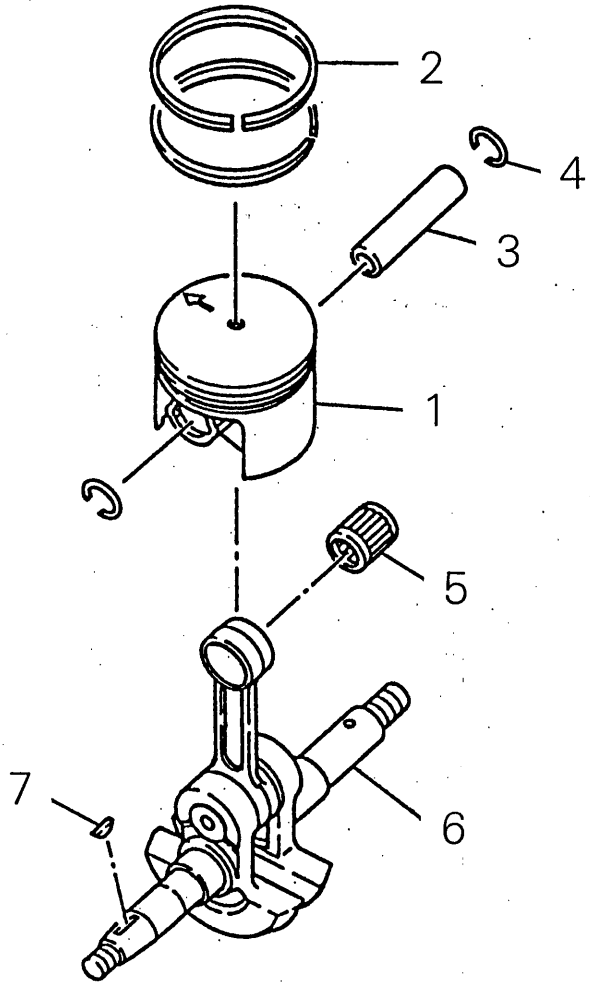
Ref. No.	Part No.	Part Name	Q'ty
2-	22155-21001	CRANK CASE ASSY	# 1
	22155-21101	CRANK CASE M SUB ASSY	# 1
	22155-21201	CRANK CASE M COMP	1
1	22155-21210 22150-21212	CRANK CASE M	1
2	22150-21220	PULSE JOINT	1
3	02030-06202	BEARING	1
4	22155-21250	OIL SEAL	1
5	22155-21300	OIL CAP ASSY	1
6	22150-21340	GASKET	1
	22155-21500	CRANK CASE C COMP	1
7	22150-21511	CRANK CASE C	1
8	22150-21521	BOLT BAR	2
9	22150-21610	VALVE OIL	1
10	20000-21140	DAWEL PIN	2
11	02030-06202	BEARING	1
12	22155-21630	OIL SEAL	1
13	22150-21711	GASKET CASE	1
14	01020-05350	BOLT	4
15	01020-05500	BOLT	2
16	72230-52630	SPIKE	1

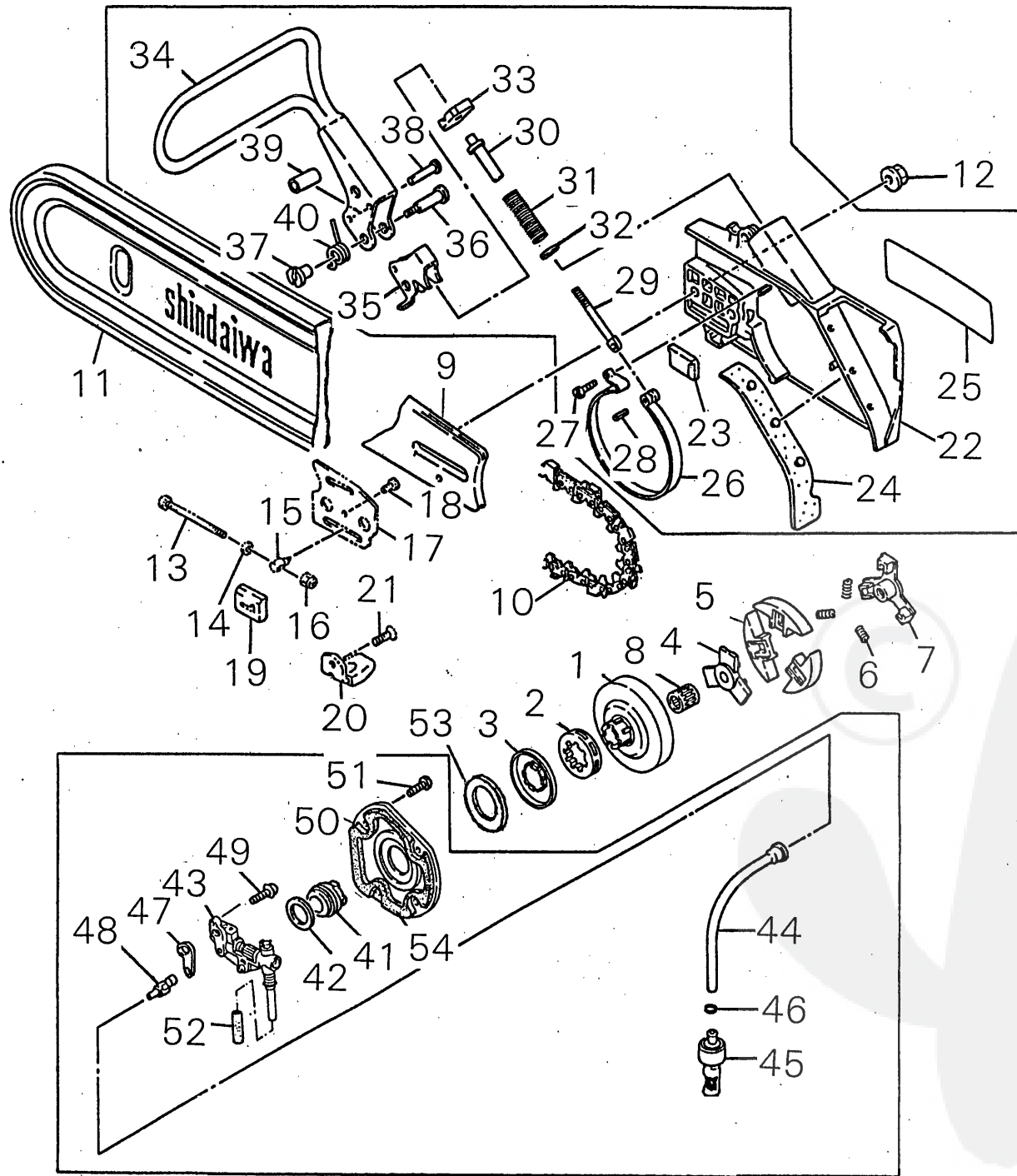




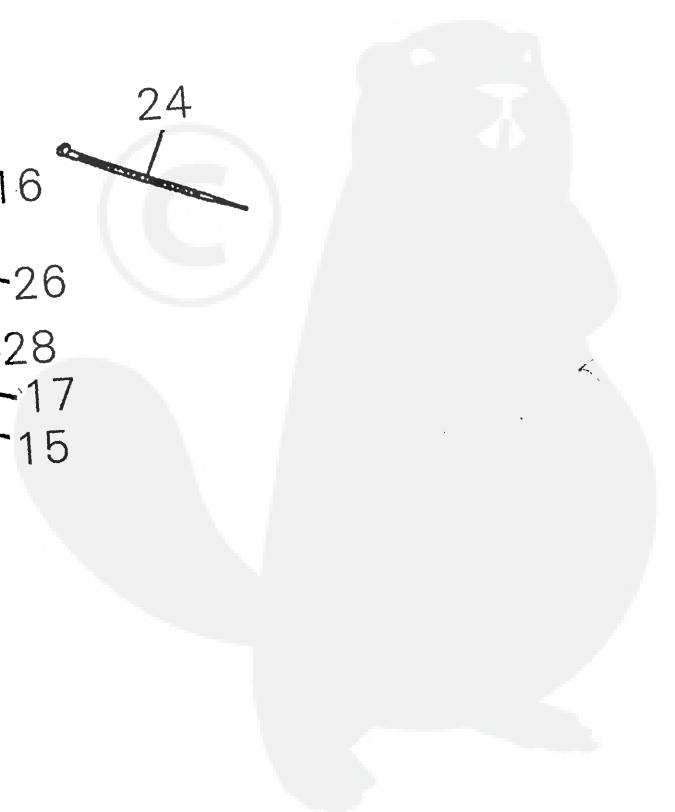
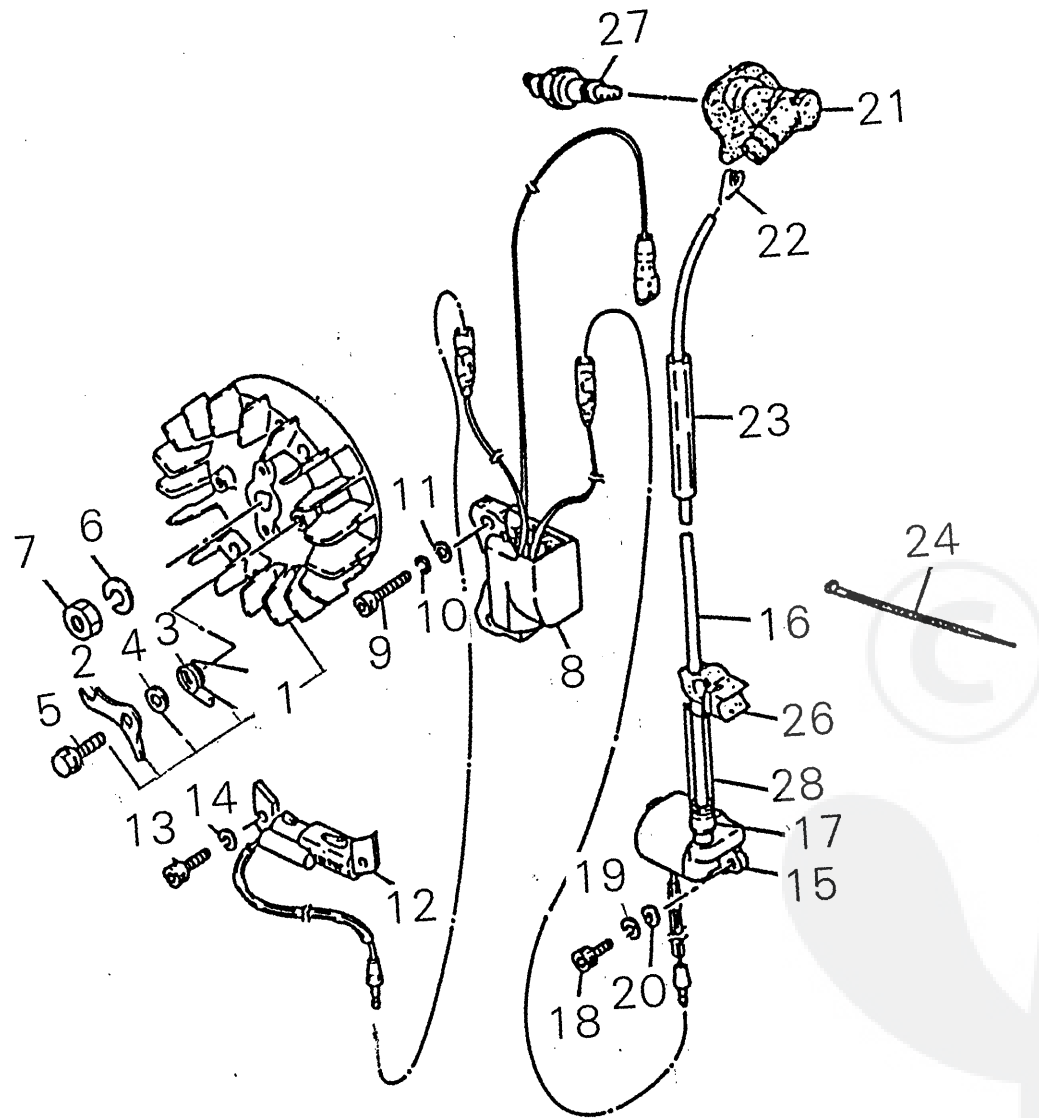
Ref. No	Part No.	Part Name	Qty
3- 1	22155-31110	COVER	1
59	72138-75170	CAUTION PLATE A	1
60	19402-00024	LABEL CAUTION	1
3	22102-32140	PLUG BRACKET	1
4	01201-05120	SCREW	1
5	01020-05160	BOLT	1
6	01020-05250	BOLT	1
7	01600-05131	SPRING WASHER	2
8	01610-05080	WASHER	2
9	22150-32112	FRONT HANDLE	1
10	22150-32120	BRACKET	1
11	22155-32190	BOLT	2
12	01020-05160	BOLT	2
13	01600-05131	SPRING WASHER	4
14	01610-05080	WASHER	3
	22150-33101	REAR HANDLE SUB ASSY	1
16	22150-33310	• GRIP HANDLE	1
17	22150-33321	• THROTTLE LEVER	1
18	22150-33331	• LOCK LEVER	1
19	22150-33340	• SPRING LEVER	1
20	22150-33360	• BOLT LEVER	1
21	02427-50225	• SPRING PIN	1
22	72171-33170	• STOPPER	1
23	22100-33180	• SPRING	1
24	22100-33190	• KNOB STOPPER	1
61	72230-33290	CAUTION PLATE H	1
62	72139-33210	CAUTION PLATE B	1
25	22150-33410	GROMMET CHOKE	1
26	22150-33420	GROMMET CARBUERTOR	1
27	22150-33430	GROMMET ROD	1
28	22155-33450	ADJUST SCREW	1
29	22155-33460	SPRING ADJUST	1
30	22155-33501	SWITCH ASSY	1
31	22155-33530	• NUT	1
32	22150-33610	EARTH CORD	1
33	72930-12150	GROMMET A	1
34	22150-33630	PLUG	1
35	22150-33640	GROMMET	1

Ref. No.	Part No.	Part Name	Q'ty
3- 36	22155-33710	CUSHION 26	3
	37 22150-33720	PLUG 26	3
	38 22155-33730	CUSHION 22	2
	39 22150-33750	SUPPORTER	1
	40 72281-33761	PIPE	2
	41 22150-33770	STOPPER BOLT 26	5
	42 01600-05131	SPRING WASHER	5
	43 22155-33801	FUEL CAP ASSY	1
	44 22150-21340	• GASKET	1
	22155-33900	BREATHER ASSY	1
	45 22150-33920	• PIPE	1
	22155-33990	• BREATHER SUB ASSY	1
	46 22155-33930	•• JOINT	1
	47 22150-33940	•• PIPE BREATHER	1
	48 22155-33950	•• ELEMENT	1
	22150-34101	① FUEL PIPE ASSY	1
	49 22150-34110	• FUEL PIPE	1
	50 22115-85401	• FUEL FILTER SUB ASSY	1
	51 22128-85410	•• WEIGHT FUEL	1
	52 22128-85421	•• FILTER	2
	53 22128-85440	•• CLIP FILTER	1
	54 22118-85460	•• SCREEN	2
	55 22128-85470	•• SLEEVE	1
	56 22128-85480	•• RING	1
	57 20020-85540	• CLIP	1
	58 72231-33440	ELEMENT ROD	1

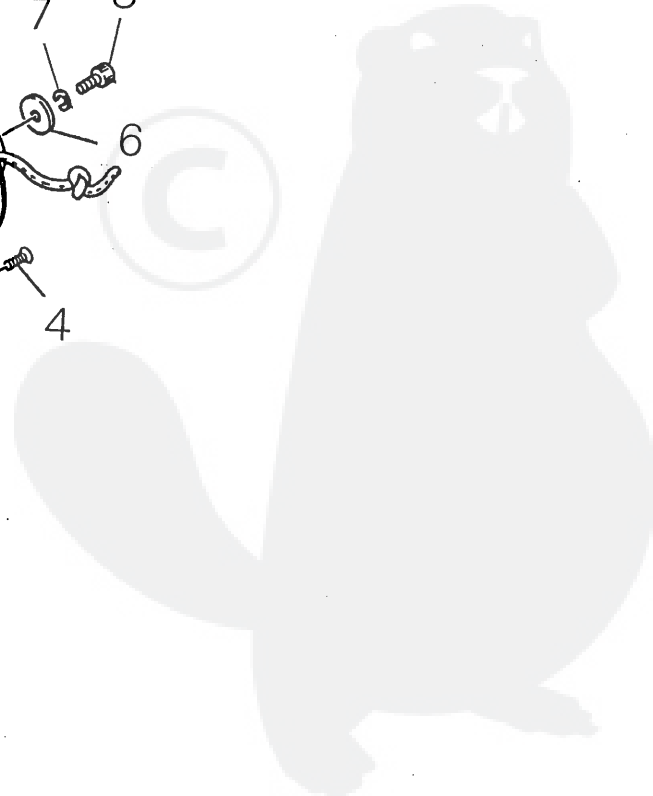
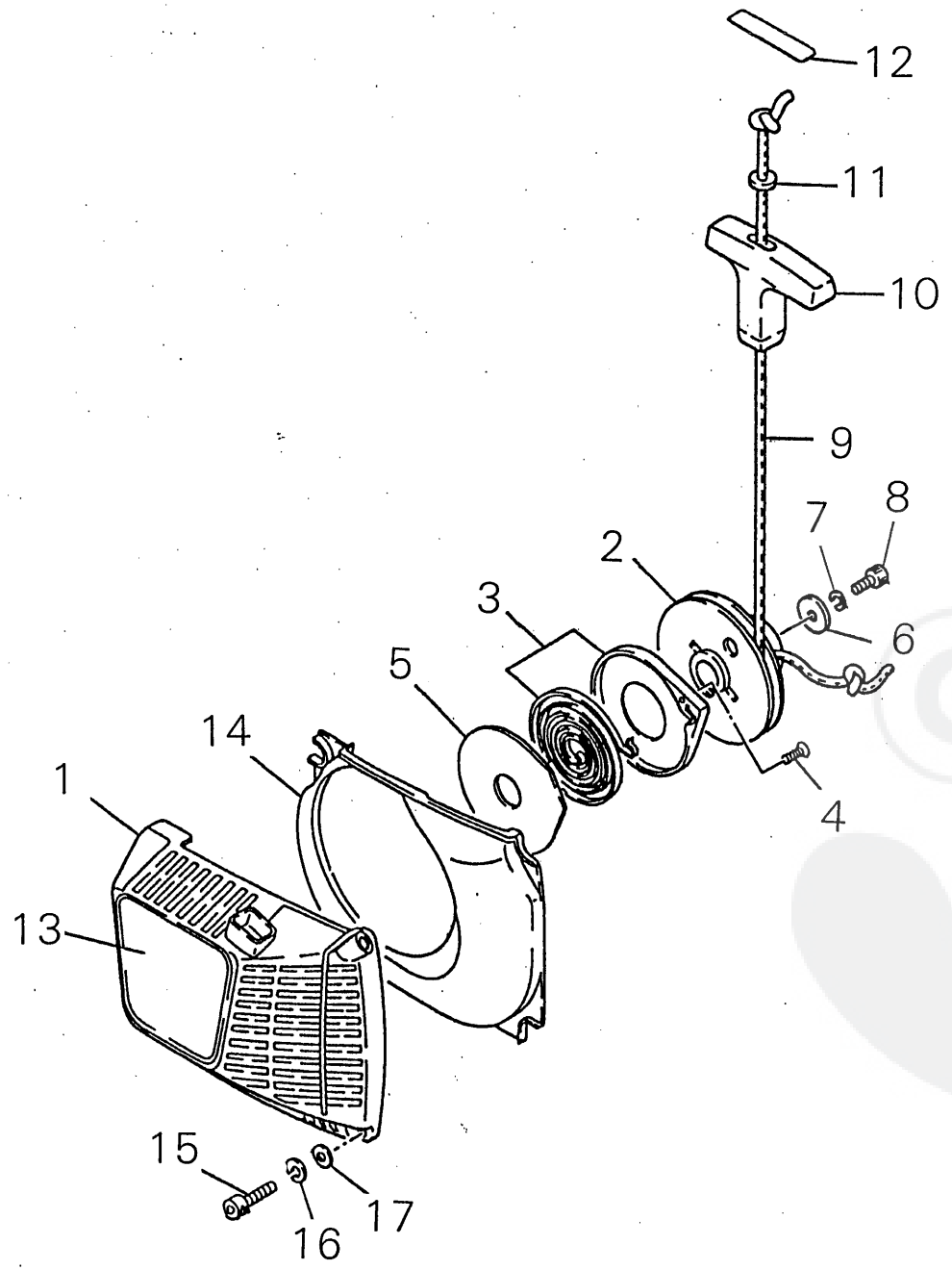


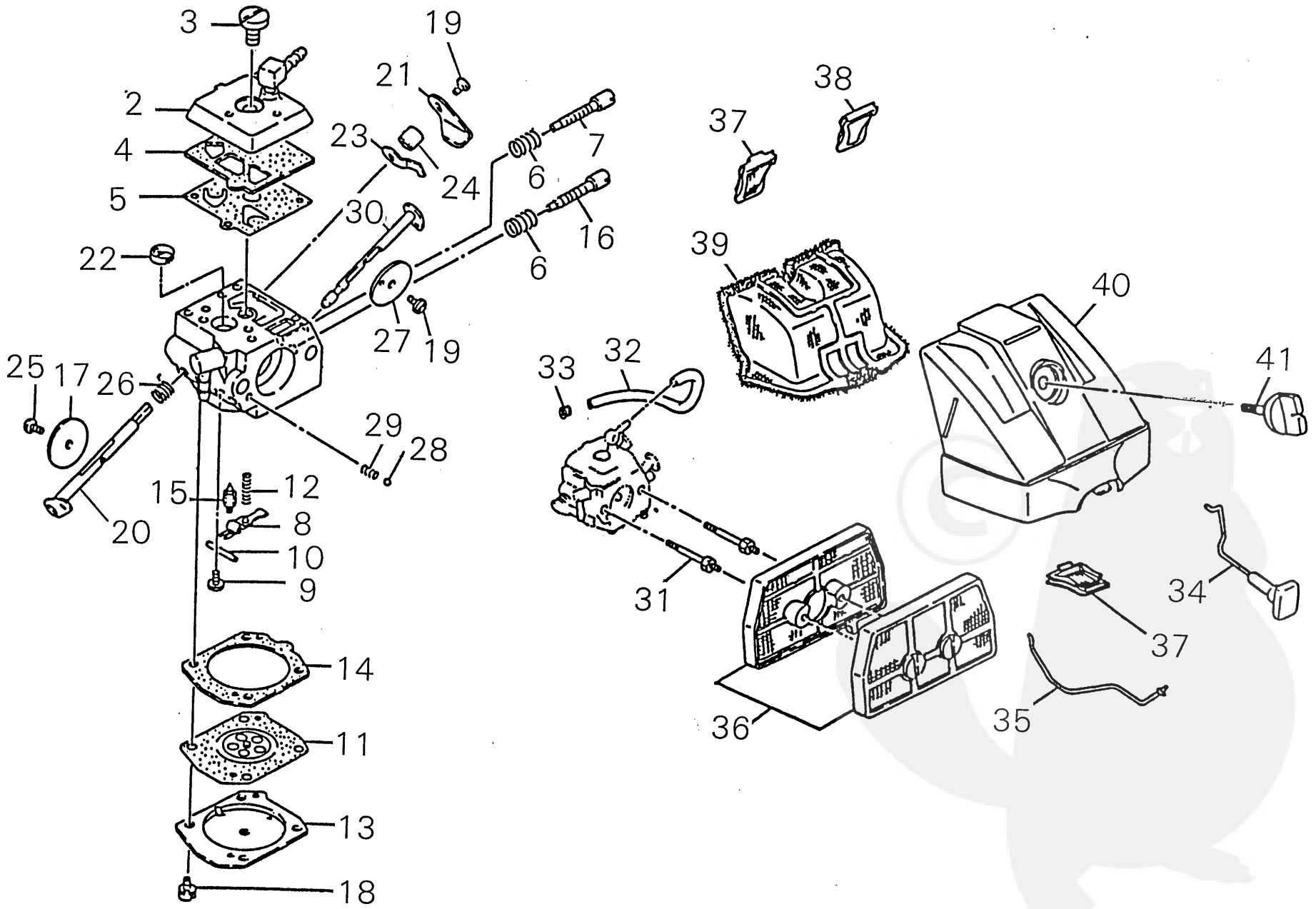


Ref. No.	Part No.	Part Name	Q'ty
5-	22155-51500	CLUTCH DRUM ASSY	1
1	22150-51510	• CLUTCH DRUM	1
2	22150-51520	• RIM	1
3	22155-51530	• COVER	1
53	22155-51550	FILTER B	1
	22155-51200	CLUTCH ASSY	1
4	22155-51210	• CLUTCH BOSS A	1
5	22155-51220	• CLUTCH SHOE	3
6	22150-51230	• CLUTCH SPRING	3
7	22155-51240	• CLUTCH BOSS B	1
8	22150-51310	BEARING	1
9	72232-52730	GUIDE BAR 20"	1
9	72232-52720	GUIDE BAR 18"	1
10	18037-00720	SAW CHAIN	1
10	18037-00680	SAW CHAIN	1
11	22150-52310	PROTECTOR	1
12	22150-52411	NUT	2
13	22155-53310	SLIDE SCREW	1
14	01610-05080	WASHER	1
15	22150-52440	SLIDE PIECE	1
16	22100-53330	LOCK NUT	1
17	22150-52460	MOUNT GUARD	1
18	11205-04100	SCREW PM	1
19	22150-52470	CHAIN PAT	1
20	22155-52510	CHAIN CATCHER	1
21	01201-05120	SCREW	1
	72256-54002	BRAKE ASSY	1
	22155-54100	• CLUTCH COVER SUB ASSY	1
22	22150-54111	•• CLUTCH COVER	1
23	22150-52470	•• CHAIN PAT	1
24	22150-54160	•• PROTECTOR	1
25	72256-54140	• NAME PLATE C	1
26	22150-54211	• BRAKE BAND	1
27	22120-54220	• BOLT BAND	1
28	02427-40125	• SPRING PIN	1
29	22150-54311	• ADJUST ROD	1
30	22150-54320	• ADJUST SCREW	1
31	22150-54330	• BREAK SPRING	1



Ref. No	Part No.	Part Name	Qty
6- 1	22155-71101	ROTOR ASSY	1
2	22150-71120	• RATCHET	2
3	22155-71130	• SPRING RACHET	2
4	22100-71430	• WASHER	2
5	22100-71441	• BOLT	2
6	01600-08201	SPRING WASHER	1
7	22100-43231	NUT	1
8	22155-71500	EX COIL	1
9	01020-05200	BOLT	2
10	01600-05131	SPRING WASHER	2
11	01610-05080	WASHER	2
12	22155-71600	PULSER COIL	1
13	01020-04140	BOLT	2
14	01600-04101	SPRING WASHER	2
15	22150-71700	IGNITION COIL	1
15	22150-71710	• IGNITION COIL	1
16	22150-71720	• CORD	1
17	22150-71730	• CAP	1
18	01020-04140	BOLT	2
19	01600-04101	SPRING WASHER	2
20	20010-71650	WASHER	2
21	22155-72220	PLUG CAP	1
22	20000-72230	SPRING SPARK PLUG	1
23	22155-72250	PIPE CORD	1
24	20040-83150	CLAMP	2
26	22155-72270	GROMMET H	1
27	CJ6Y	SPARK PLAG	1
28	22155-72280	PIPE CORD B	1





Ref. No.	Part No.	Part Name	Q'ty
8-	22150-81001	CARBURETOR ASSY	1
2	22150-81120	• PUMP COVER ASSY	1
3	22150-81130	• SCREW	1
4	22150-81140	• GASKET PUMP	1
5	22150-81150	• DIAPHRAGM PUMP	1
6	22100-81160	• SPRING L NEEDLE	2
7	22150-81170	• L NEEDLE	1
8	22150-81230	• LEVER	1
9	22100-81240	• SCREW	1
10	22100-81250	• PIN	1
11	22150-81260	• DIAPHRAGM ASSY	1
12	22150-81270	• SPRING LEVER	1
13	22150-81280	• COVER DAIPHHRAGM	1
14	22150-81290	• GASKET DIAPHRAGM	1
15	20036-81440	• NEEDLE VALVE	1
16	22150-81331	• H NEEDLE	1
17	22150-81340	• THROTTLE VALVE	1
18	22100-81351	• SCREW ASSY	4
19	22100-81360	• SCREW	2
20	22150-81370	• SHAFT ASSY	1
21	22150-81380	• THROTTLE LEVER	1
22	70030-81380	• SCREEN	1
23	22150-81390	• STOPPER	1
24	22150-81410	• SPACER	1
25	22150-81420	• SCREW ASSY	1
26	22150-81430	• RETURN SPRING	1
27	22150-81710	• CHOKE VALVE	1
28	22150-81720	• BALL	1
29	22150-81730	• SPRING	1
30	22150-81740	• SHAFT ASSY	1
31	22150-82610	BOLT CARBUTETOR	2
32	22155-82111	PULSE PIPE	1
33	22150-82140	CLIP PULSE	1
34	22150-82120	CHOKE ROD	1
35	22150-82130	THROTTLE ROD	1
36	22150-82301	AIR CLEANER COMP	1
37	22150-82411	SUB CLEANER	2
38	22150-82420	PLUG	1

