

shindaiwa®

PARTS CATALOG

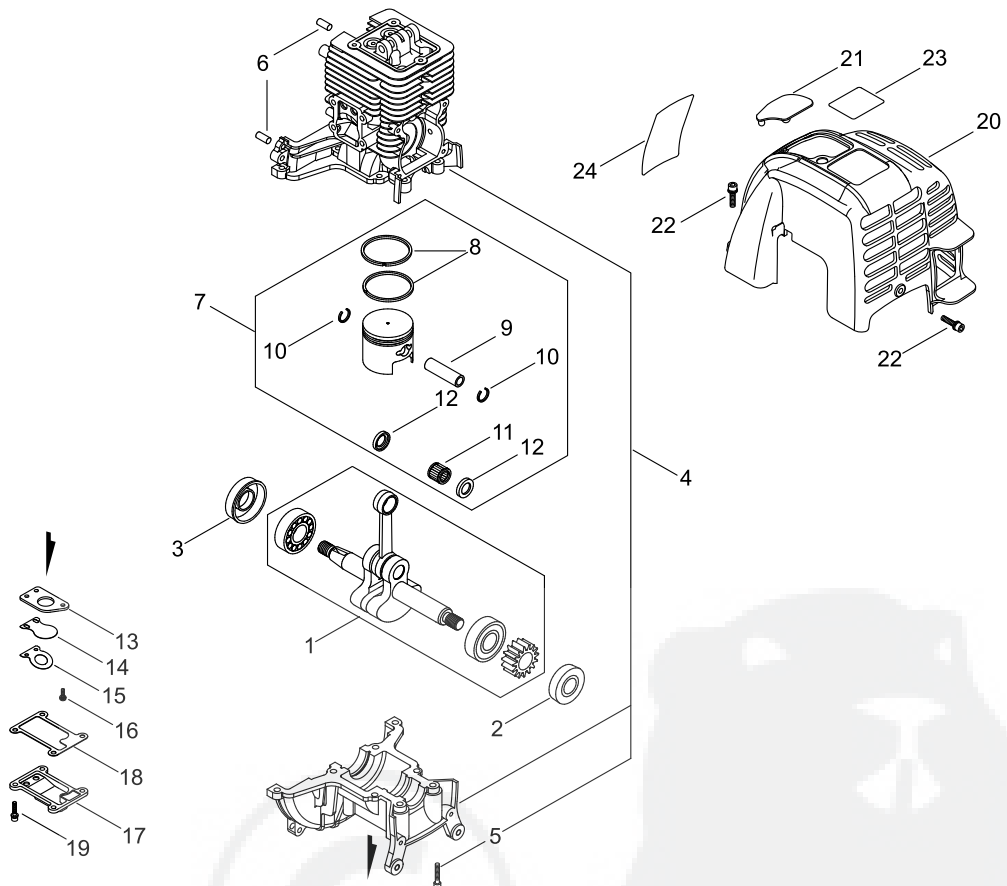
BRUSHCUTTER C3410/SF450(37)

37100551 -

CE

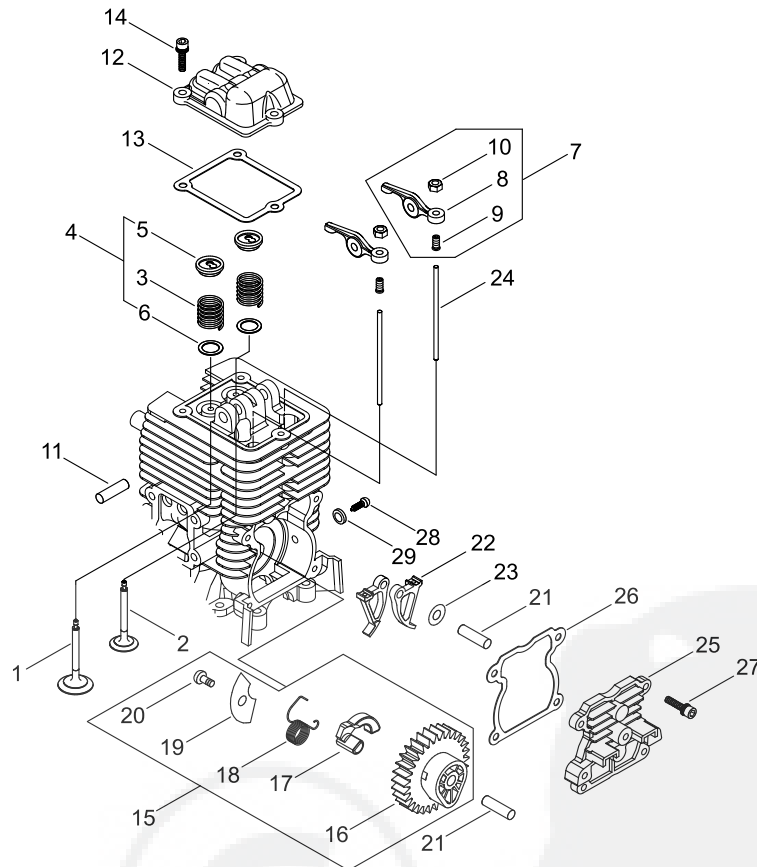
P016-001371-14C

1. CYLINDER, PISTON, CRANKSHAFT



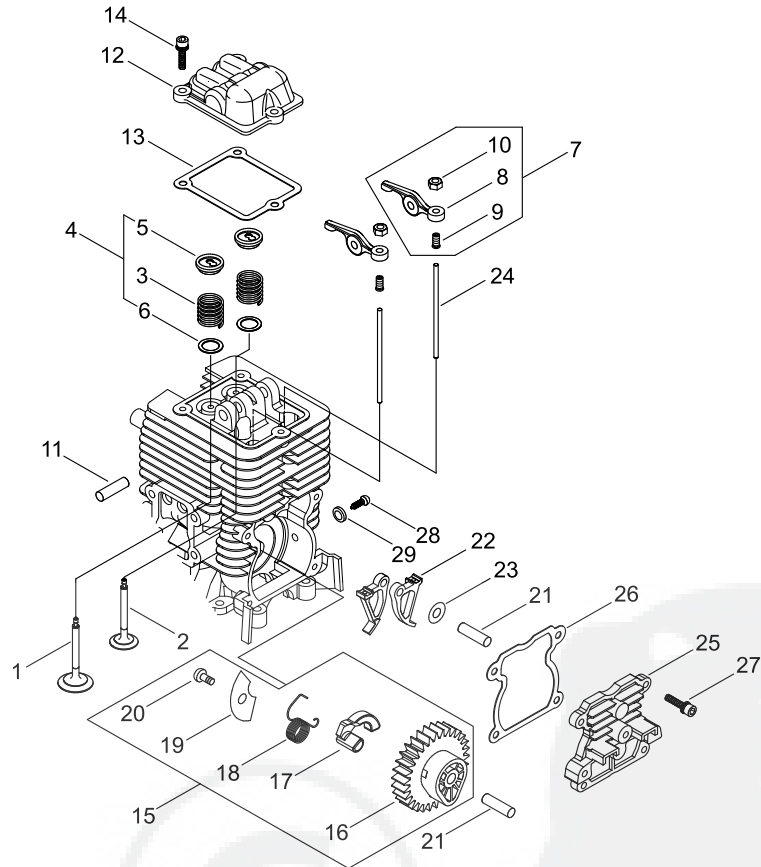
KEY	LV	PART NUMBER	Q'TY	DESCRIPTION	REMARKS	NOTE1	NOTE2
1		A011-000651	1	CRANKSHAFT,ASY			
2		V505-000020	1	SEAL,OIL 12	12*22*7		
3		V505-000060	1	OIL SEAL			
4		P021-027540	1	CYLINDER BLOCK SET			
5	+	900105-05016	8	BOLT, H.S. 5*16	5*16		
6		900330-40080	2	PIN F 4*8	4*8		
7		P021-033972	1	PISTON SET			
8	+	A101-000240	2	PISTON RING			
9	+	V608-000060	1	PISTON PIN			
10	+	V580-000110	2	SNAP RING			
11	+	V555-000080	1	NEEDLE BEARING			
12	+	V307-000200	2	THRUST WASHER			
13		A200-000750	1	INSULATOR			
14		A211-000030	1	VALVE, REED			
15		A212-000040	1	STOPPER			
16		91341-03010	3	SCREW-SW	M3*10		
17		A123-000000	1	COVER			
18		V109-000100	1	GASKET			
19		V202-000350	4	BOLT-SPW	M4-14		
20		A160-001632	1	COVER,CYLINDER			
21		A429-000130	1	GROMMET			
22		V202-000350	3	BOLT-SPW	M4-14		
23		X543-004100	1	LABEL,MODEL	PROFESSIONAL		
24		X504-006761	1	LABEL, BRAND			

2. VALVE



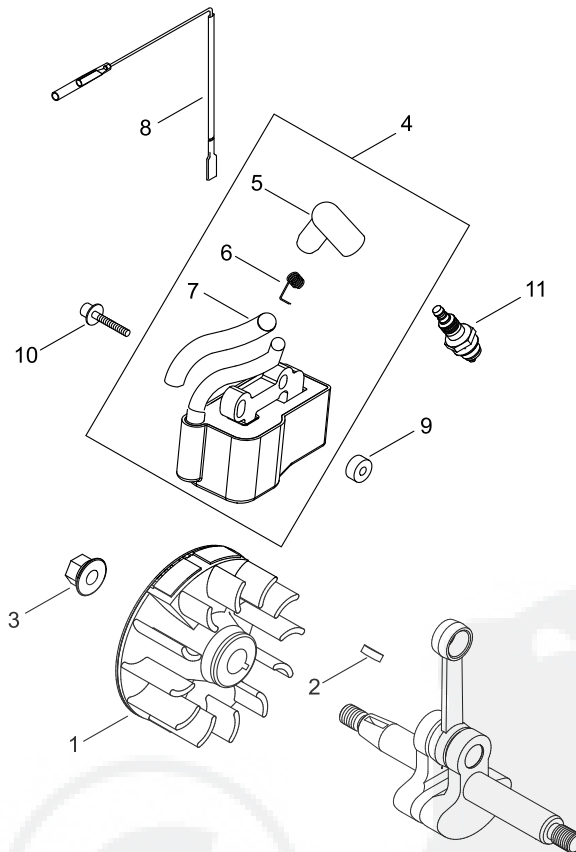
KEY	LV	PART NUMBER	Q'TY	DESCRIPTION	REMARKS	NOTE1	NOTE2
1		A603-000000	1	INTAKE VALVE			
2		A603-000010	1	EXHAUST VALVE			
3		A604-000010	2	VALVE SPRING			
4		P021-027590	2	RETAINER SET			
5	+	A606-000040	2	RETAINER			
6	+	V392-000030	2	PLATE			
7		A610-000050	2	ROCKER ARM ASSY			
8	+	A610-000060	2	ROCKER ARM			
9	+	A613-000010	2	ADJUST SCREW			
10	+	V263-000230	2	NUT			
11		V623-000010	1	ROLLER	5*L37.8		
12		A137-000000	1	ROCKER ARM COVER			
13		V109-000050	1	GASKET			
14		V202-000350	3	BOLT-SPW	M4-14		
15		A063-000000	1	CAM GEAR ASSY			
16	+	A622-000000	1	CAM GEAR			
17	+	A146-000000	1	WEIGHT			
18	+	V452-000610	1	COIL SPRING			
19	+	C603-000240	1	PLATE			
20	+	91449-04006	1	SCREW,TAPPING			
21		V623-000030	2	ROLLER	5*L29.8		
22		A600-000001	2	LIFTER			
23		V303-000220	1	WASHER	T0.3		
24		A607-000001	2	ROD,PUSH			
25		A136-000000	1	CAM GEAR COVER			

2. VALVE



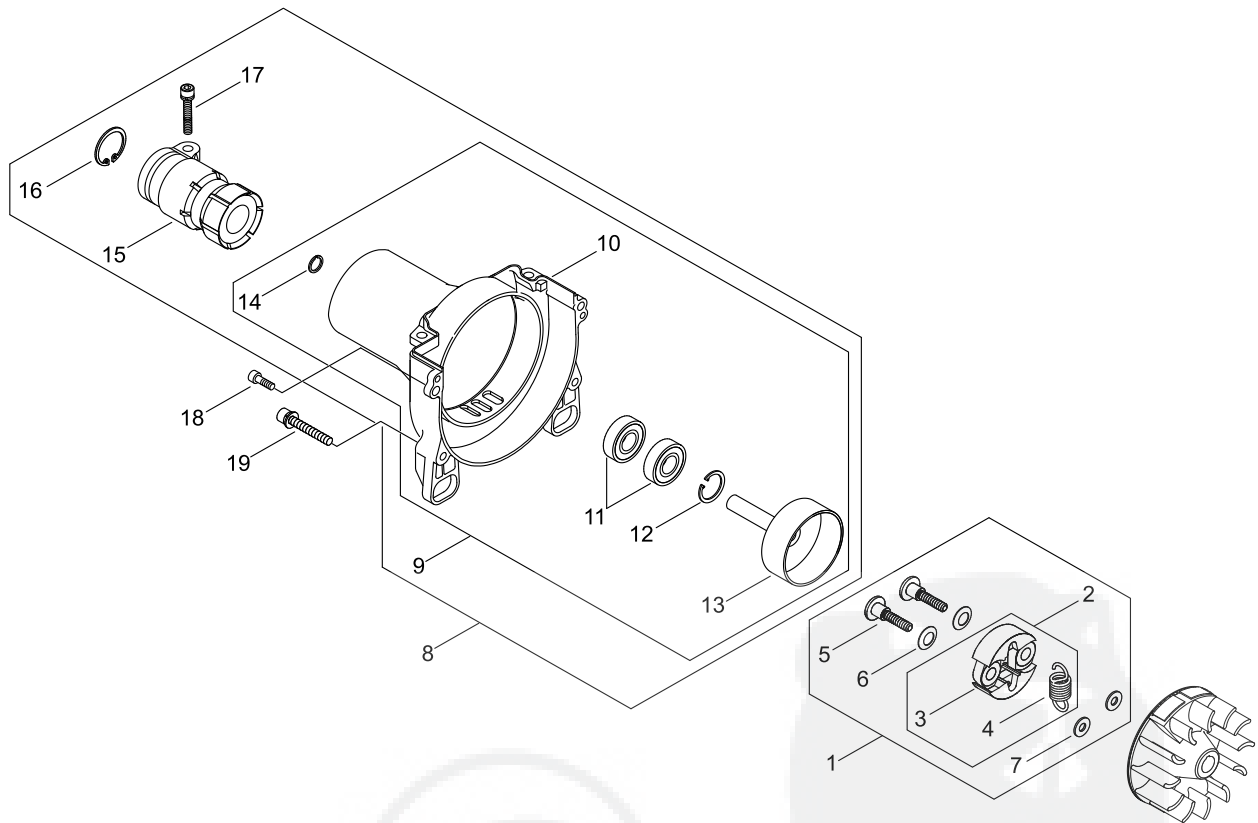
KEY	LV	PART NUMBER	Q'TY	DESCRIPTION	REMARKS	NOTE1	NOTE2
26		V109-000040	1	GASKET			
27		V202-000350	4	BOLT-SPW	M4-14		
28		V253-000540	1	SCREW			
29		V303-000120	1	COLLAR	5.5,10 T=2		

3. MAGNETO



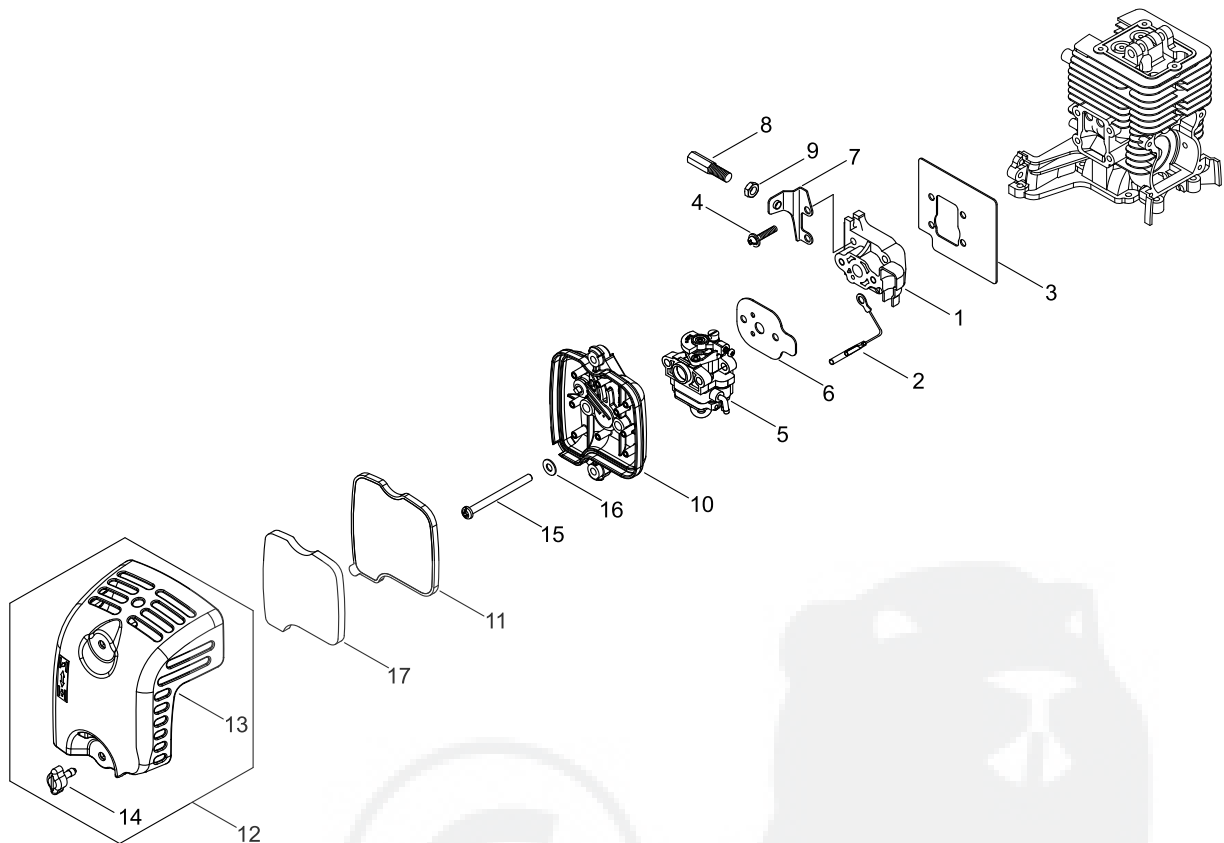
KEY	LV	PART NUMBER	Q'TY	DESCRIPTION	REMARKS	NOTE1	NOTE2
1		A409-000630	1	ROTOR			
2		93115-03010	1	KEY	3*10		
3		V265-000140	1	NUT			
4		A411-001560	1	COIL, IGNITION			
5	+	A427-000110	1	PLUG CAP			
6	+	A426-000070	1	COIL SPRING			
7	+	V475-005160	1	TUBE			
8		V485-001630	1	LEAD WIRE	L=220		
9		V322-000040	2	INSULATOR			
10		V202-000360	2	BOLT-SLPW	M4*26		
11		A425-000040	1	SPARKPLUG	NGK CMR5H		

4. CLUTCH



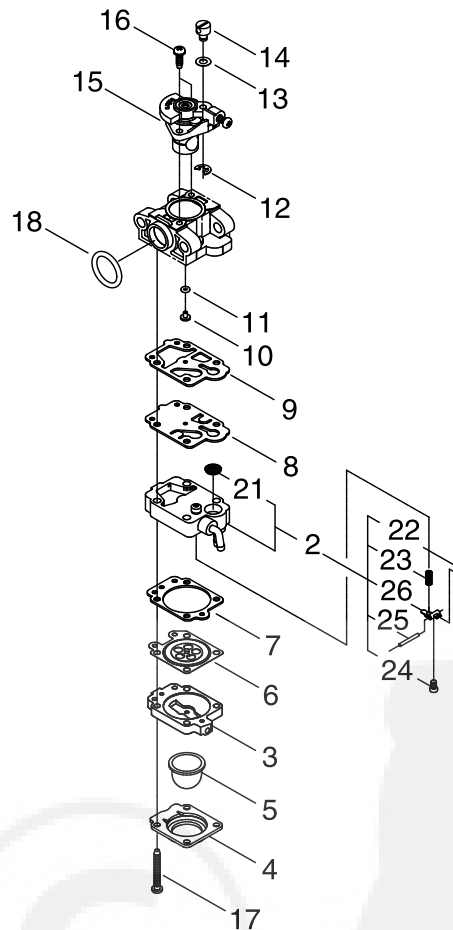
KEY	LV	PART NUMBER	Q'TY	DESCRIPTION	REMARKS	NOTE1	NOTE2
1		A056-000410	1	CLUTCH SHOE ASSY			
2	+	A056-000420	1	CLUTCH SHOE SUB ASSY			
3	++	A553-000120	2	CLUTCH SHOE			
4	++	A566-000110	1	SPRING			
5	+	A557-000080	2	BOLT			
6	+	V346-000040	2	SPRING PLATE			
7	+	V304-000150	2	WASHER			
8		P021-027551	1	FAN COVER ASSY			
9	+	P021-028491	1	FAN COVER COMP			
10	++	A172-002030	1	COVER,FAN			
11	++	94002-36001	2	BEARING, BALL			
12	++	92424-28000	1	SNAP RING			
13	++	A556-001360	1	DRUM, CLUTCH			
14	++	900706-00012	1	CIRCLIP 12	WR-12		
15	+	A575-000370	1	JOINT			
16	+	92424-42000	1	SNAP RING	42MM C-RING		
17	+	V203-000620	1	BOLT-SW			
18		900105-05016	2	BOLT, H.S. 5*16	5*16		
19		V203-000530	2	BOLT SW			

5. AIR CLEANER, CARBURETOR



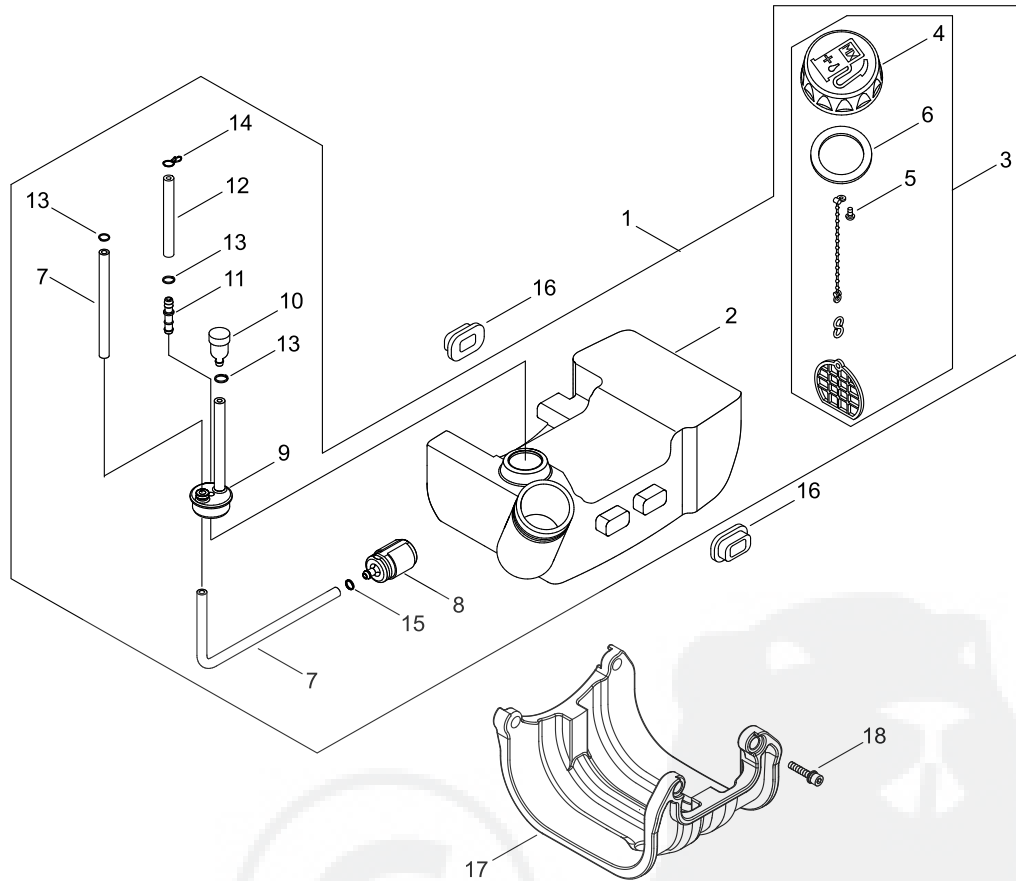
KEY	LV	PART NUMBER	Q'TY	DESCRIPTION	REMARKS	NOTE1	NOTE2
1		A024-000020	1	LEAD VALVE			
2		V485-001260	1	LEAD WIRE	L110		
3		V103-000980	1	GASKET			
4		91582-05025	4	SCREW,PM-SPW			
5		A021-002480	1	CABURETOR ASSY			
6		V103-000570	1	GASKET			
7		V152-002250	1	BRACKET THROTTLE			
8		C486-000030	1	CABLE ADJUSTER			
9		92018-06000	1	NUT			
10		A023-000300	1	CASE,CLEANER			
11		A226-000690	1	FILTER			
12		P021-028562	1	CLEANER COVER ASSY			
13	+	A232-000912	1	LID,CLEANER	ID_1760		
14	+	V299-000570	2	KNOB,FASTENER			
15		91581-05060	2	SCREW,PM			
16		900603-00005	2	WASHER 5	5.5*12*0.8		
17		A226-000700	1	PREFILTER			

6. CARBURETOR



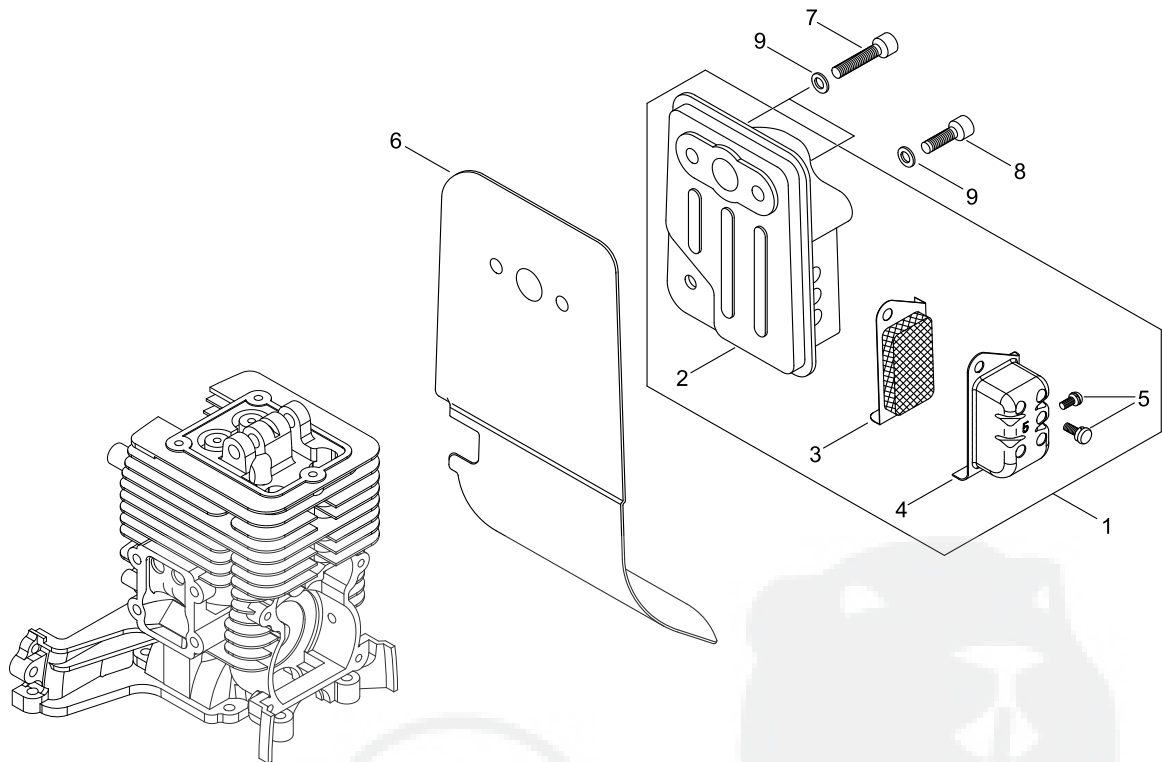
KEY	LV	PART NUMBER	Q'TY	DESCRIPTION	REMARKS	NOTE1	NOTE2
		A021-002480	1	CABURETOR ASSY			
2	+	P003-000510	1	BODY ASSEMBLY, PUMP			
21	++	123126-10631	1	SCREEN, INLET			
22	++	123137-19830	1	VALVE, INLET NEEDLE			
23	++	123122-05560	1	SPRING, METER. LEVER			
24	++	123139-05560	1	SCREW, M. LEVER PIN			
25	++	123138-03930	1	PIN, METERING LEVER			
26	++	123123-03930	1	LEVER, METERING			
3	+	123180-05560	1	BODY, AIR PURGE			
4	+	123142-05560	1	COVER, PRIMER PUMP			
5	+	123181-40630	1	PUMP, PRIMER			
6	+	P003-000090	1	METERING, DIAPHRAGM			
7	+	123140-05560	1	GASKET, M. DIAPHRAGM			
8	+	123112-40630	1	DIAPHRAGM, PUMP			
9	+	123125-40630	1	GASKET, PUMP			
10	+	P003-003940	1	JET			
11	+	123183-40630	1	O-RING			
12	+	123173-07930	1	CLIP			
13	+	123149-54230	1	WASHER			
14	+	123172-45130	1	SWIVEL			
15	+	P003-004630	1	VALVE, THROTTLE			
16	+	123114-44330	2	SCREW			
17	+	123110-05560	4	SCREW, PUMP COVER			
18	+	V581-000180	1	O RING			

7. FUEL TANK



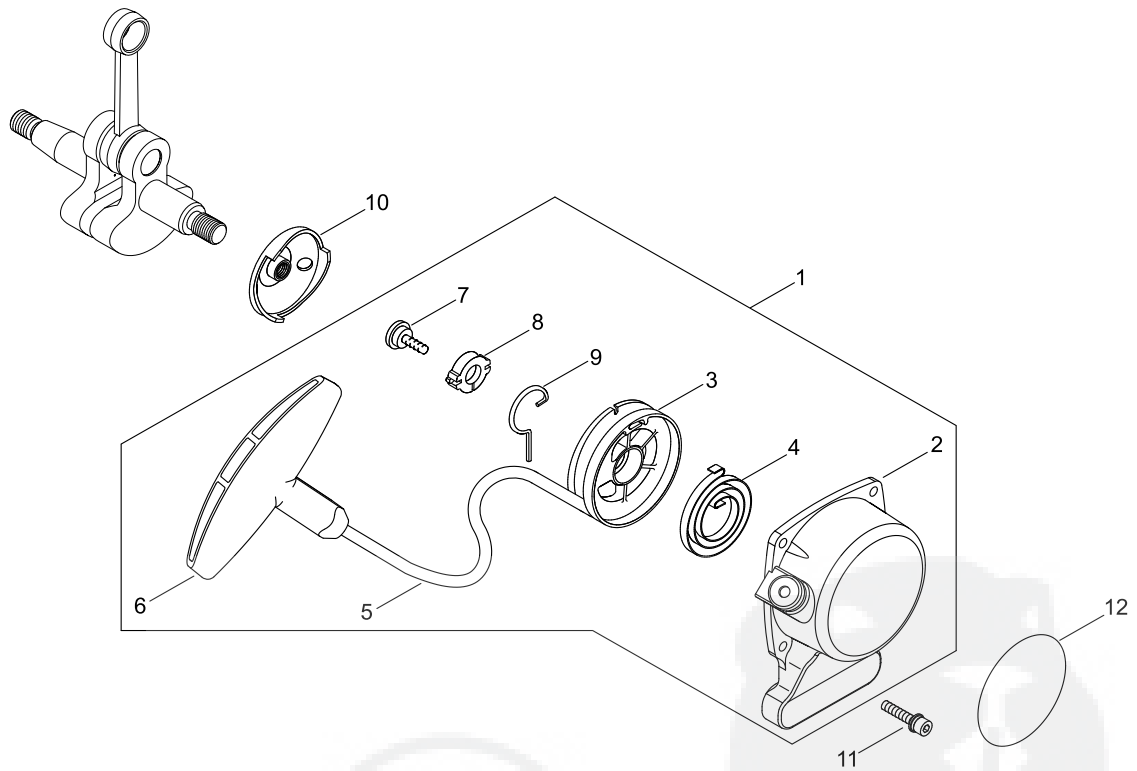
KEY	LV	PART NUMBER	Q'TY	DESCRIPTION	REMARKS	NOTE1	NOTE2
1		P021-028512	1	FUEL TANK ASSY			
2	+	A350-001341	1	FUEL TANK			
3	+	A033-000330	1	CAP,FUEL			
4	++	A355-000180	1	FUEL CAP			
5	++	91483-02506	1	SCREW TAPPING			
6	++	V107-000010	1	GASKET			
7	+	V471-002570	1	FUEL PIPE			
8	+	A369-000070	1	FUEL FILTER			
9	+	V470-000880	1	GROMMET			
10	+	A356-000050	1	VALVE,CHECK			
11	+	V186-000210	1	JOINT			
12	+	V471-002520	1	PIPE			
13	+	V490-000500	3	CLIP			
14	+	V490-000510	1	CLIP			
15	+	V490-000500	1	CLIP			
16		V420-002220	4	TANK CUSHION			
17		A175-000220	1	TANK GUARD			
18		V203-000351	2	BOLT,5	M5X20 WSW		

8. MUFFLER



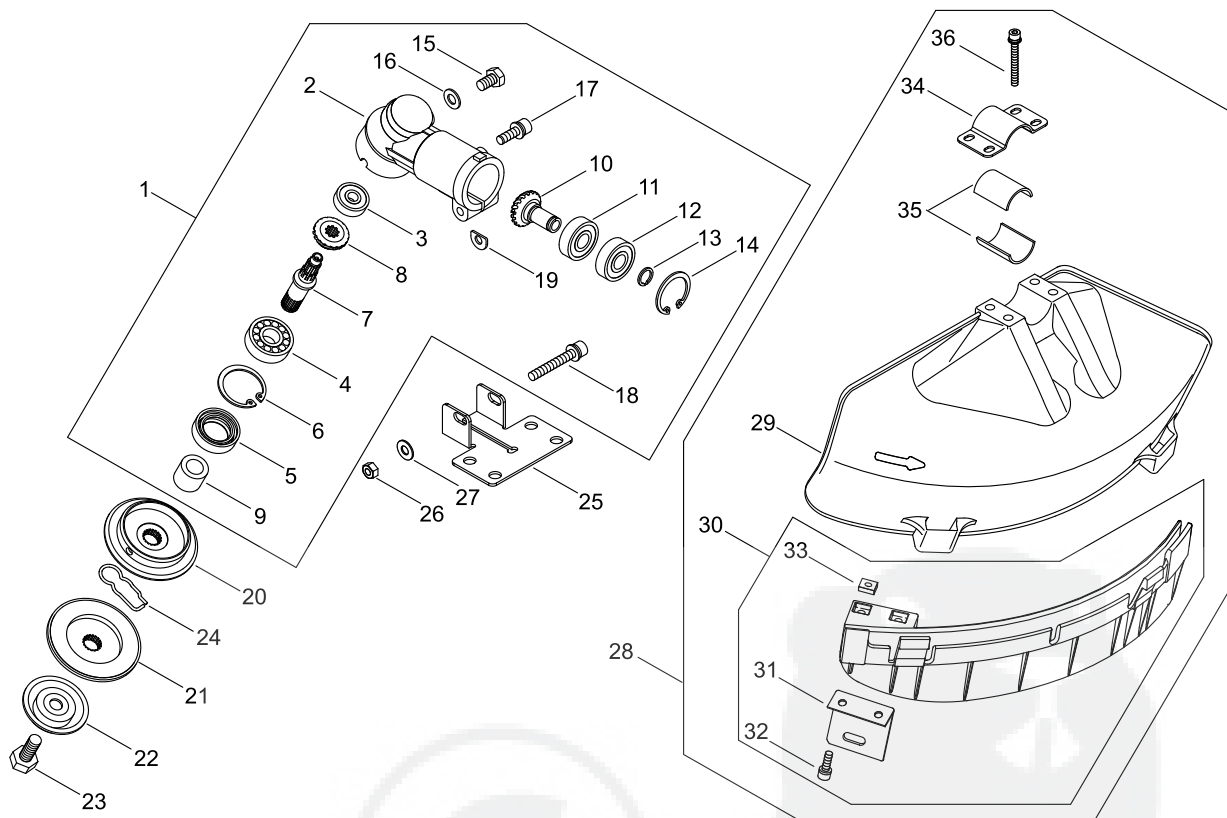
KEY	LV	PART NUMBER	Q'TY	DESCRIPTION	REMARKS	NOTE1	NOTE2
1		A030-000342	1	MUFFLER ASY			
2	+	A300-001251	1	MUFFLER, EXHAUST			
3	+	A310-000390	1	SCREEN, ARRESTOR			
4	+	A313-001391	1	GUIDE, EXHAUST			
5	+	91572-04006	2	SCREW, PM-SW			
6		V104-001431	1	GASKET, EXHAUST			
7		V203-001000	2	BOLT			
8		900105-05016	1	BOLT, H.S. 5*16	5*16		
9		900600-00005	3	WASHER 5	5		

9. RECOIL STARTER



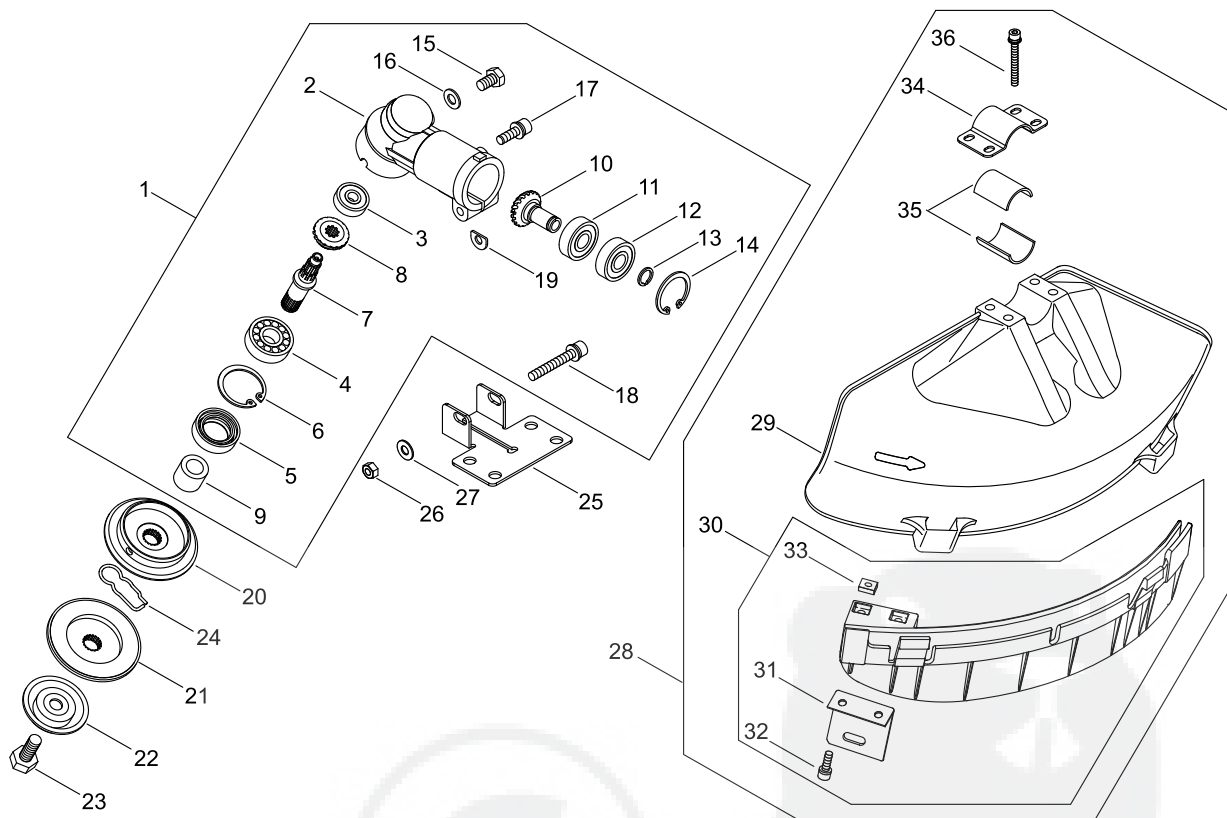
KEY	LV	PART NUMBER	Q'TY	DESCRIPTION	REMARKS	NOTE1	NOTE2
1		A051-001500	1	RECOIL STARTER ASSY			
2	+	A500-000630	1	STARTER CASE			
3	+	A506-000140	1	REEL			
4	+	A504-000100	1	RECOIL SPRING			
5	+	A509-000070	1	ROPE			
6	+	A511-000100	1	KNOB			
7	+	V253-000310	1	SCREW			
8	+	V353-000310	1	COLLAR			
9	+	C810-000120	1	SWING ARM			
10		A052-000300	1	STARTER PULLEY			
11		V202-000350	4	BOLT-SPW	M4-14		
12		X504-006750	1	LABEL BRAND			

10. GEAR CASE, SHIELD



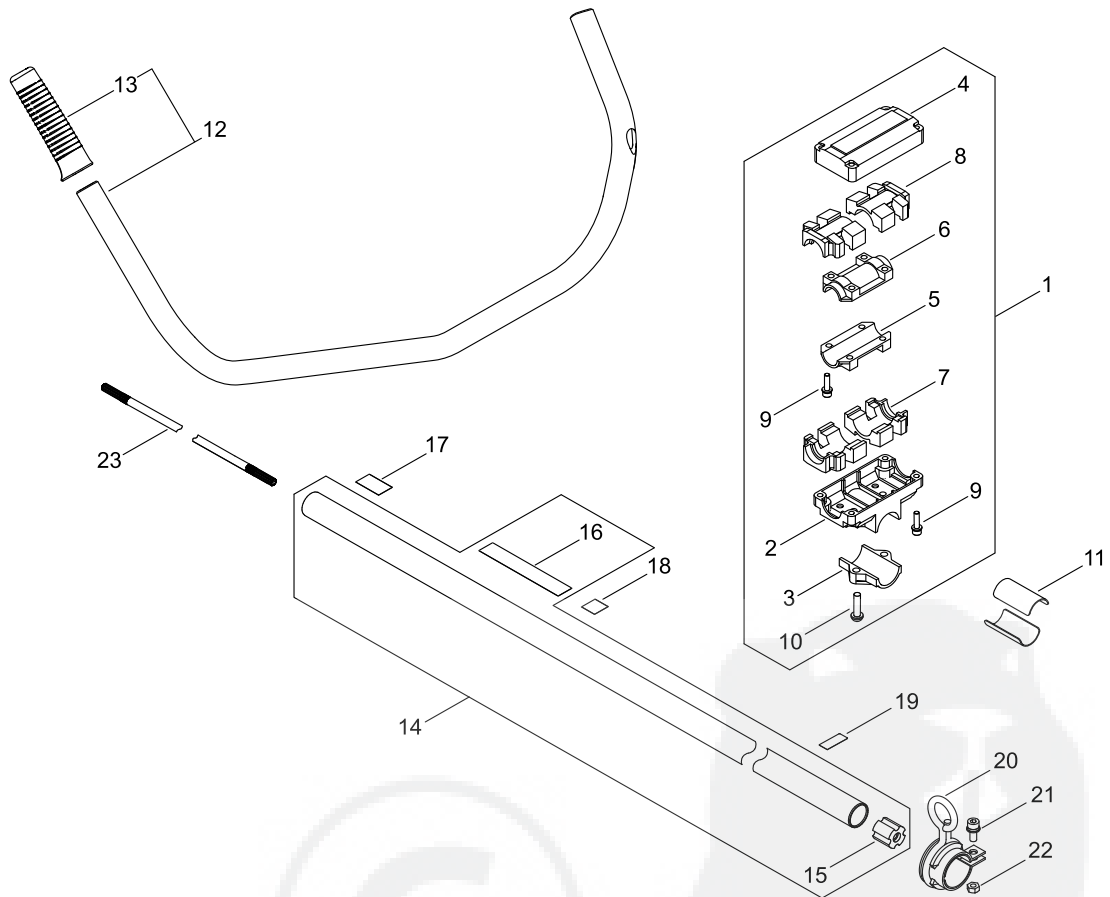
KEY	LV	PART NUMBER	Q'TY	DESCRIPTION	REMARKS	NOTE1	NOTE2
1		C051-000482	1	CASE,GEAR			
2	+	C531-000582	1	CASE,GEAR	R26		
3	+	94028-40609	1	BEARING, BALL			
4	+	900810-06201	1	BEARING, BALL 6201	6201		
5	+	V510-000000	1	OIL SEAL			
6	+	92424-32000	1	SNAP RING			
7	+	C534-000900	1	SHAFT, GEAR			
8	+	V651-000450	1	BEVEL GEAR			
9	+	V356-000500	1	COLLAR			
10	+	V651-000460	1	PINION SET			
11	+	900855-06901	1	BEARING, BALL 6901	6901		
12	+	900859-06901	1	BEARING, BALL	6901		
13	+	900706-00012	1	CIRCLIP 12	WR-12		
14	+	92424-24000	1	SNAP RING			
15	+	V206-000250	1	BOLT			
16	+	V307-000230	1	GASKET			
17	+	V203-000591	1	BOLT,5	M5X16 WSW		
18	+	V204-000450	1	BOLT SPW			
19	+	V340-000280	1	SHIM			
20		C535-000641	1	FIXTURE, BLADE			
21		C535-000651	1	FIXTURE, BLADE			
22		C535-000630	1	FIXTURE, BLADE			
23		V205-001070	1	BOLT,8			
24		V641-000150	1	PIN,SNAP			
25		C551-000140	1	LOWER CLAMP			

10. GEAR CASE, SHIELD



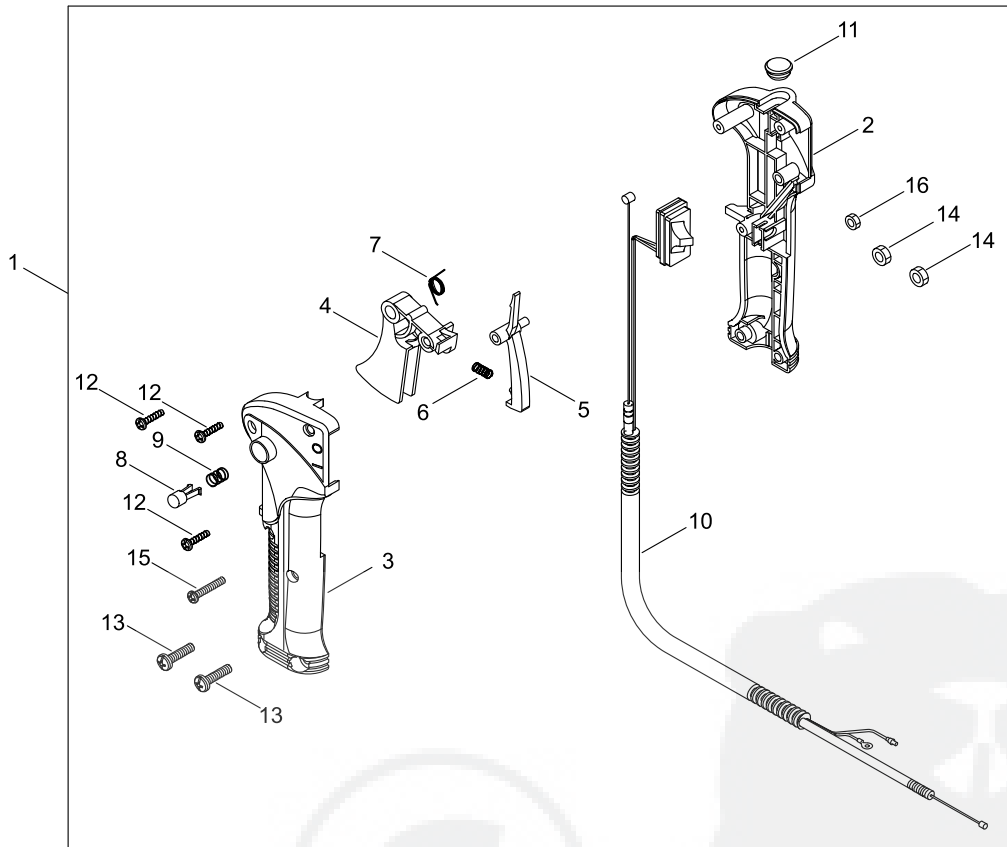
KEY	LV	PART NUMBER	Q'TY	DESCRIPTION	REMARKS	NOTE1	NOTE2
26		900500-00006	1	NUT 6	6		
27		900603-00006	1	WASHER 6	6.5*13*1		
28		P021-028901	1	GUARD SET			
29	+	C550-000430	1	GUARD			
30	+	P021-028451	1	SUB GUARD ASSY			
31	++	C554-000040	1	CUTTER			
32	++	91122-05016	2	BOLT	CB-5*16 SW		
33	++	V263-000130	2	NUT			
34	+	C551-000060	1	UPPER CLAMP			
35	+	V363-000160	2	SPACER			
36	+	V203-000611	4	BOLT,5	M5X45 WSW		

11. MAIN PIPE, HANDLE



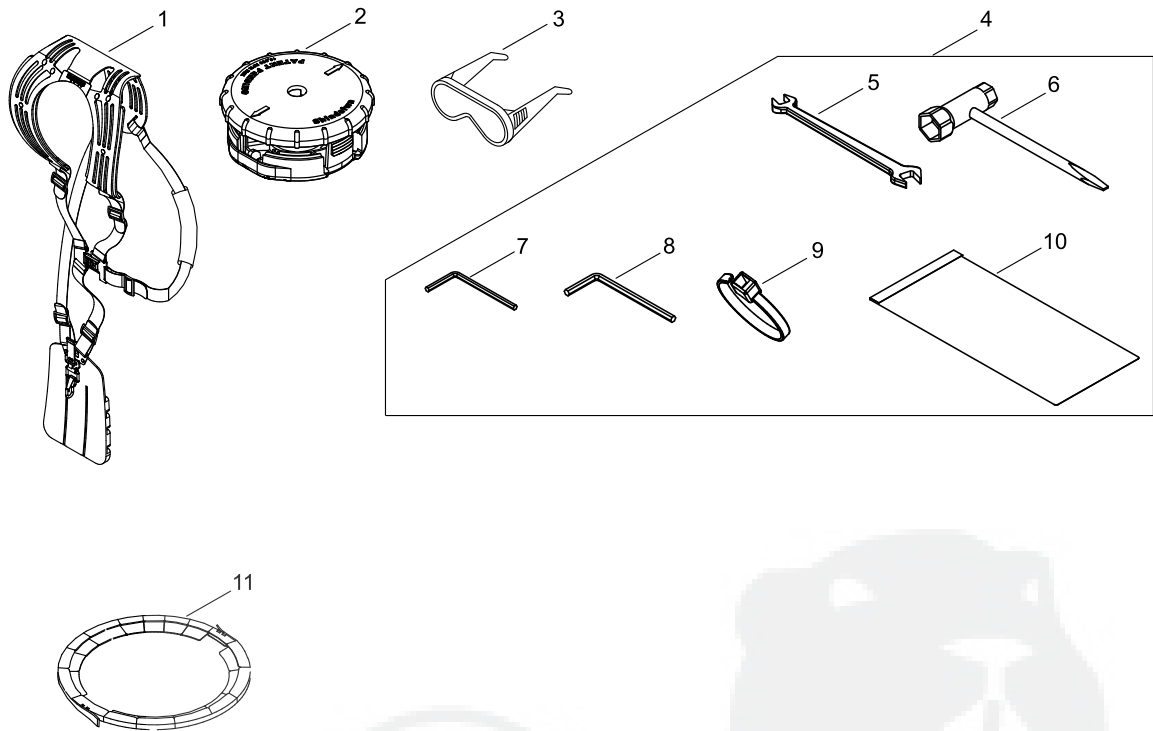
KEY	LV	PART NUMBER	Q'TY	DESCRIPTION	REMARKS	NOTE1	NOTE2
1		P021-033251	1	BRACKET COMP			
2	+	C423-000710	1	HANDLE BRACKET			
3	+	C423-000730	1	LOWER CAP			
4	+	C423-000750	1	UPPER CAP			
5	+	C423-000760	1	LOWER CLAMP			
6	+	C423-000770	1	UPPER CLAMP			
7	+	V420-002460	2	LOWER CUSHION			
8	+	V420-002470	2	UPPER CUSHION			
9	+	V203-000631	8	BOLT,5	M5X25 WSW		
10	+	91142-06025	2	SCREW BUTTON			
11		C511-000110	2	SPACER			
12		P021-035440	1	HANDLE SUB ASSY			
13	+	C403-000420	1	GRIP			
14		P021-047100	1	MAIN PIPE ASY			
15	+	C501-000120	5	BUSHING			
16	+	890617-43130	1	LABEL,CAUTION			
17		X517-000140	1	LABEL CAUTION			
18		X508-000340	1	LABEL DECIBEL			
19		X524-002380	1	HANDLE LABEL			
20		C063-000010	1	HANGER			
21		V203-000701	1	BOLT,5	M5X12 WSW		
22		900500-00005	1	NUT 5	5		
23		C504-000710	1	MAIN SHAFT			

12. THROTTLE



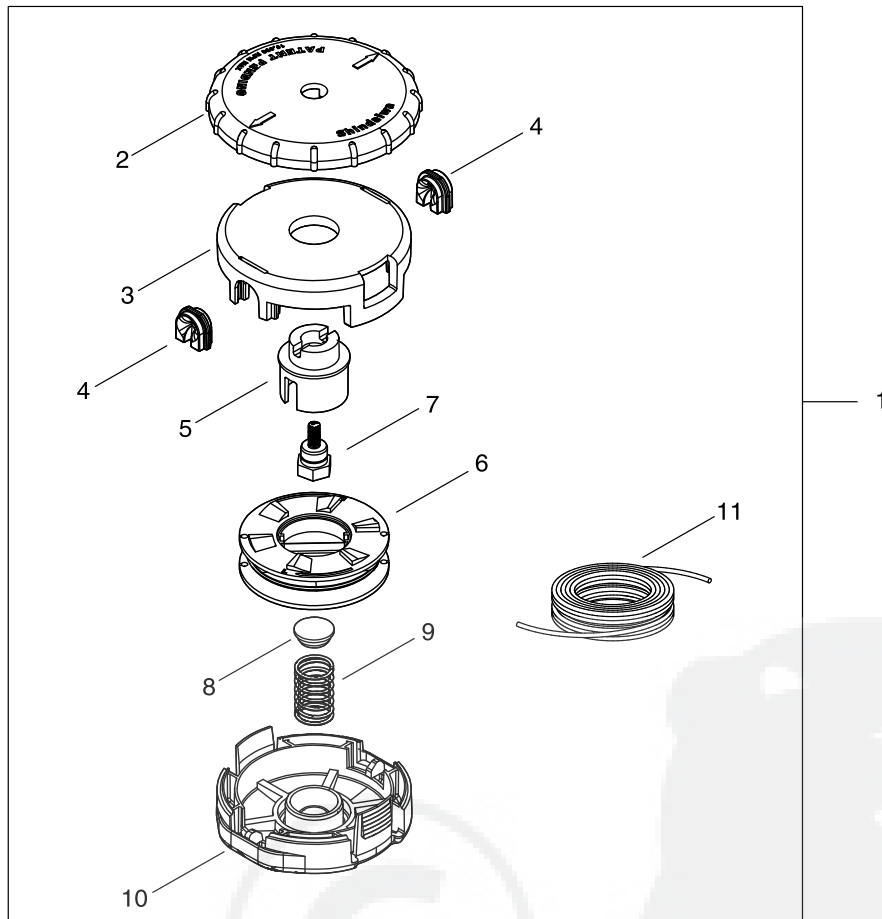
KEY	LV	PART NUMBER	Q'TY	DESCRIPTION	REMARKS	NOTE1	NOTE2
1		C044-000842	1	CONTROL, THROTTLE	C3410		
2	+	C412-000430	1	BODY RIGHT			
3	+	C412-000441	1	GRIP, HANDLE			
4	+	C450-000581	1	CONTROL, THROTTLE			
5	+	C460-000241	1	LOCKOUT, THROTTLE			
6	+	V450-001020	1	COIL SPRING			
7	+	V452-000690	1	COIL SPRING			
8	+	C461-000080	1	BUTTON			
9	+	V450-001010	1	COIL SPRING			
10	+	V043-000500	1	THROTTLE CABLE ASSY			
11	+	V162-000410	1	PLUG			
12	+	V252-000360	3	SCREW TAPPING			
13	+	91335-05022	2	SCREW	SRB-5*22		
14	+	92017-05000	2	NUT	M5		
15	+	V252-000090	1	SCREW			
16	+	V262-000100	1	NUT			

13. ACCESSORIES



KEY	LV	PART NUMBER	Q'TY	DESCRIPTION	REMARKS	NOTE1	NOTE2
1		C062-000430	1	HARNESS ASSY			
2		X047-000711	1	CUTTER,ASM LINE	SF450		
3		X690-000080	1	GOGGLE	SI CHINA, Z87.1		
4		P021-028530	1	TOOL SET			
5	+	X600-000020	1	SPANNER			
6	+	X602-000160	1	PLUG WRENCH			
7	+	X605-000100	1	TOOL,L WRENCH	4MM M5		
8	+	X605-000070	1	HEXA WRENCH 6MM			
9	+	V495-001520	2	BAND			
10	+	X705-000100	1	BAG,PACKING	140*200*T0.08		
11		P021-034750	1	BLADE COVER			

14. NYLON LINE CUTTER



KEY	LV	PART NUMBER	Q'TY	DESCRIPTION	REMARKS	NOTE1	NOTE2
1		X047-000711	1	CUTTER,ASM LINE	SF450		
2	+	E415-000111	1	KNOB,REGULATOR			
3	+	X470-000211	1	DRUM,REEL			
4	+	X475-000050	2	EYELETS			
5	+	X476-000021	1	HUB,REEL			
6	+	X473-000031	1	REEL,CORD			
7	+	X471-000090	1	SHAFT,CORD			
8	+	V494-000280	1	SPRING CAP			
9	+	V450-000871	1	SPRING,COMPRESSION			
10	+	X472-000031	1	LID,DRUM			
11	+	X474-000120	1	CORD			

Index

Patrs Number	Key No.	Patrs Number	Key No.	Patrs Number	Key No.
123110-05560	6 - 17	94002-36001	4 - 11	A566-000110	4 - 4
123112-40630	6 - 8	94028-40609	10 - 3	A575-000370	4 - 15
123114-44330	6 - 16	A011-000651	1 - 1	A600-000001	2 - 22
123122-05560	6 - 23	A021-002480	5 - 5	A603-000000	2 - 1
123123-03930	6 - 26	A021-002480	6 -	A603-000010	2 - 2
123125-40630	6 - 9	A023-000300	5 - 10	A604-000010	2 - 3
123126-10631	6 - 21	A024-000020	5 - 1	A606-000040	2 - 5
123137-19830	6 - 22	A030-000342	8 - 1	A607-000001	2 - 24
123138-03930	6 - 25	A033-000330	7 - 3	A610-000050	2 - 7
123139-05560	6 - 24	A051-001500	9 - 1	A610-000060	2 - 8
123140-05560	6 - 7	A052-000300	9 - 10	A613-000010	2 - 9
123142-05560	6 - 4	A056-000410	4 - 1	A622-000000	2 - 16
123149-54230	6 - 13	A056-000420	4 - 2	C044-000842	12 - 1
123172-45130	6 - 14	A063-000000	2 - 15	C051-000482	10 - 1
123173-07930	6 - 12	A101-000240	1 - 8	C062-000430	13 - 1
123180-05560	6 - 3	A123-000000	1 - 17	C063-000010	11 - 20
123181-40630	6 - 5	A136-000000	2 - 25	C403-000420	11 - 13
123183-40630	6 - 11	A137-000000	2 - 12	C412-000430	12 - 2
890617-43130	11 - 16	A146-000000	2 - 17	C412-000441	12 - 3
900105-05016	1 - 5	A160-001632	1 - 20	C423-000710	11 - 2
900105-05016	4 - 18	A172-002030	4 - 10	C423-000730	11 - 3
900105-05016	8 - 8	A175-000220	7 - 17	C423-000750	11 - 4
900330-40080	1 - 6	A200-000750	1 - 13	C423-000760	11 - 5
900500-00005	11 - 22	A211-000030	1 - 14	C423-000770	11 - 6
900500-00006	10 - 26	A212-000040	1 - 15	C450-000581	12 - 4
900600-00005	8 - 9	A226-000690	5 - 11	C460-000241	12 - 5
900603-00005	5 - 16	A226-000700	5 - 17	C461-000080	12 - 8
900603-00006	10 - 27	A232-000912	5 - 13	C486-000030	5 - 8
900706-00012	4 - 14	A300-001251	8 - 2	C501-000120	11 - 15
900706-00012	10 - 13	A310-000390	8 - 3	C504-000710	11 - 23
900810-06201	10 - 4	A313-001391	8 - 4	C511-000110	11 - 11
900855-06901	10 - 11	A350-001341	7 - 2	C531-000582	10 - 2
900859-06901	10 - 12	A355-000180	7 - 4	C534-000900	10 - 7
91122-05016	10 - 32	A356-000050	7 - 10	C535-000630	10 - 22
91142-06025	11 - 10	A369-000070	7 - 8	C535-000641	10 - 20
91335-05022	12 - 13	A409-000630	3 - 1	C535-000651	10 - 21
91341-03010	1 - 16	A411-001560	3 - 4	C550-000430	10 - 29
91449-04006	2 - 20	A425-000040	3 - 11	C551-000060	10 - 34
91483-02506	7 - 5	A426-000070	3 - 6	C551-000140	10 - 25
91572-04006	8 - 5	A427-000110	3 - 5	C554-000040	10 - 31
91581-05060	5 - 15	A429-000130	1 - 21	C603-000240	2 - 19
91582-05025	5 - 4	A500-000630	9 - 2	C810-000120	9 - 9
92017-05000	12 - 14	A504-000100	9 - 4	E415-000111	14 - 2
92018-06000	5 - 9	A506-000140	9 - 3	P003-000090	6 - 6
92424-24000	10 - 14	A509-000070	9 - 5	P003-000510	6 - 2
92424-28000	4 - 12	A511-000100	9 - 6	P003-003940	6 - 10
92424-32000	10 - 6	A553-000120	4 - 3	P003-004630	6 - 15
92424-42000	4 - 16	A556-001360	4 - 13	P021-027540	1 - 4
93115-03010	3 - 2	A557-000080	4 - 5	P021-027551	4 - 8

Index

Patrs Number	Key No.	Patrs Number	Key No.	Patrs Number	Key No.
P021-027590	2 - 4	V303-000120	2 - 29	X474-000120	14 - 11
P021-028451	10 - 30	V303-000220	2 - 23	X475-000050	14 - 4
P021-028491	4 - 9	V304-000150	4 - 7	X476-000021	14 - 5
P021-028512	7 - 1	V307-000200	1 - 12	X504-006750	9 - 12
P021-028530	13 - 4	V307-000230	10 - 16	X504-006761	1 - 24
P021-028562	5 - 12	V322-000040	3 - 9	X508-000340	11 - 18
P021-028901	10 - 28	V340-000280	10 - 19	X517-000140	11 - 17
P021-033251	11 - 1	V346-000040	4 - 6	X524-002380	11 - 19
P021-033972	1 - 7	V353-000310	9 - 8	X543-004100	1 - 23
P021-034750	13 - 11	V356-000500	10 - 9	X600-000020	13 - 5
P021-035440	11 - 12	V363-000160	10 - 35	X602-000160	13 - 6
P021-047100	11 - 14	V392-000030	2 - 6	X605-000070	13 - 8
V043-000500	12 - 10	V420-002220	7 - 16	X605-000100	13 - 7
V103-000570	5 - 6	V420-002460	11 - 7	X690-000080	13 - 3
V103-000980	5 - 3	V420-002470	11 - 8	X705-000100	13 - 10
V104-001431	8 - 6	V450-000871	14 - 9		
V107-000010	7 - 6	V450-001010	12 - 9		
V109-000040	2 - 26	V450-001020	12 - 6		
V109-000050	2 - 13	V452-000610	2 - 18		
V109-000100	1 - 18	V452-000690	12 - 7		
V152-002250	5 - 7	V470-000880	7 - 9		
V162-000410	12 - 11	V471-002520	7 - 12		
V186-000210	7 - 11	V471-002570	7 - 7		
V202-000350	1 - 19	V475-005160	3 - 7		
V202-000350	1 - 22	V485-001260	5 - 2		
V202-000350	2 - 14	V485-001630	3 - 8		
V202-000350	2 - 27	V490-000500	7 - 13		
V202-000350	9 - 11	V490-000500	7 - 15		
V202-000360	3 - 10	V490-000510	7 - 14		
V203-000351	7 - 18	V494-000280	14 - 8		
V203-000530	4 - 19	V495-001520	13 - 9		
V203-000591	10 - 17	V505-000020	1 - 2		
V203-000611	10 - 36	V505-000060	1 - 3		
V203-000620	4 - 17	V510-000000	10 - 5		
V203-000631	11 - 9	V555-000080	1 - 11		
V203-000701	11 - 21	V580-000110	1 - 10		
V203-001000	8 - 7	V581-000180	6 - 18		
V204-000450	10 - 18	V608-000060	1 - 9		
V205-001070	10 - 23	V623-000010	2 - 11		
V206-000250	10 - 15	V623-000030	2 - 21		
V252-000090	12 - 15	V641-000150	10 - 24		
V252-000360	12 - 12	V651-000450	10 - 8		
V253-000310	9 - 7	V651-000460	10 - 10		
V253-000540	2 - 28	X047-000711	13 - 2		
V262-000100	12 - 16	X047-000711	14 - 1		
V263-000130	10 - 33	X470-000211	14 - 3		
V263-000230	2 - 10	X471-000090	14 - 7		
V265-000140	3 - 3	X472-000031	14 - 10		
V299-000570	5 - 14	X473-000031	14 - 6		

YAMABIKO CORPORATION

7-2 SUEHIROCHO 1-CHOME, OHME, TOKYO 198-8760, JAPAN
PHONE: 81-428-32-6118. FAX: 81-428-32-6145.

The logo consists of a stylized lowercase 's' inside a circle, followed by the word 'shindaiwa' in a bold, lowercase sans-serif font with a registered trademark symbol.

shindaiwa[®]



-14C
No. 05-136