

**shindaiwa®**

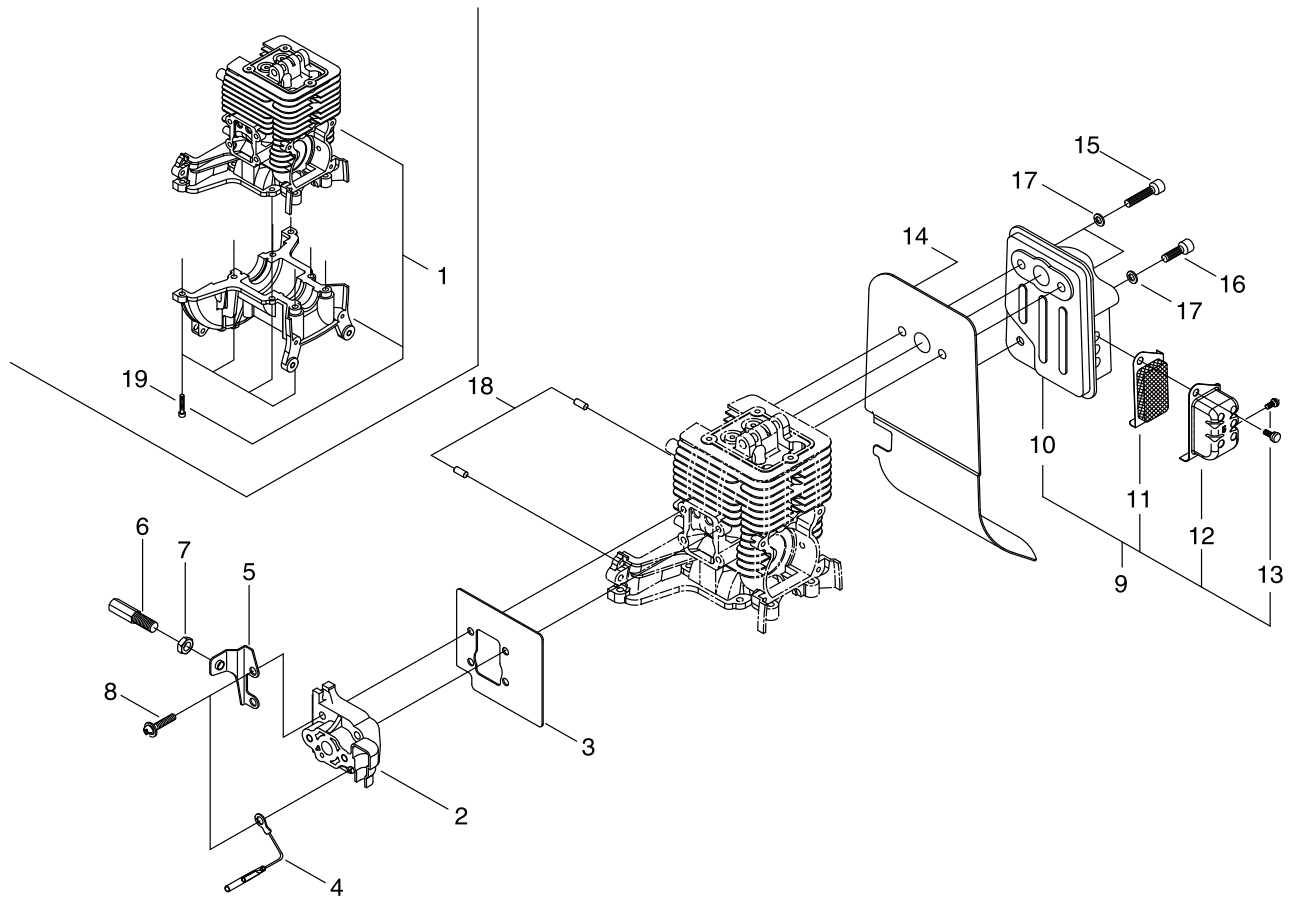
# **PARTS CATALOG**

## **BRUSHCUTTER C3410/SF450(37)**

**37000001 -**

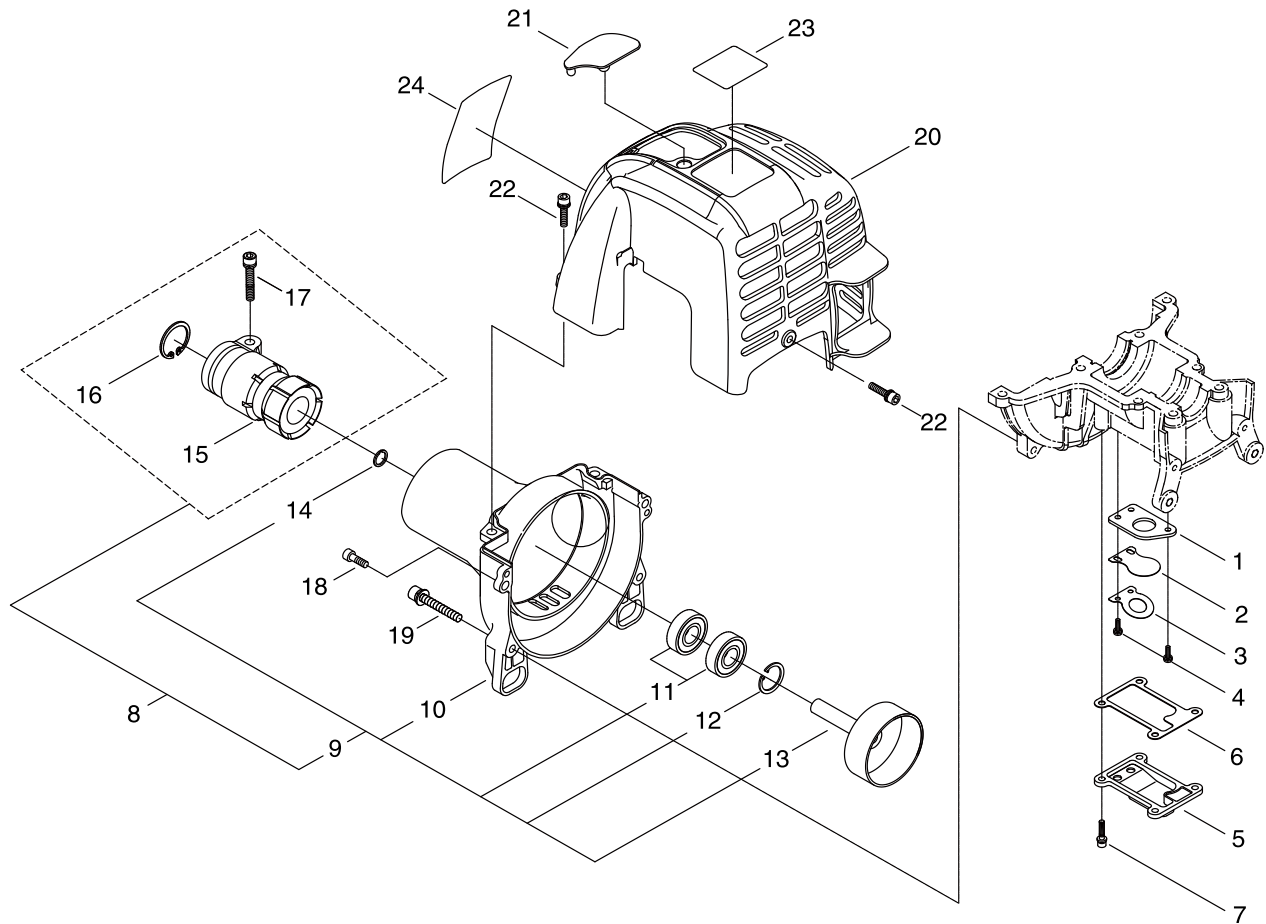
P016-001370-12Lb

# 1. CYLINDER, MUFFLER, CRANK CASE



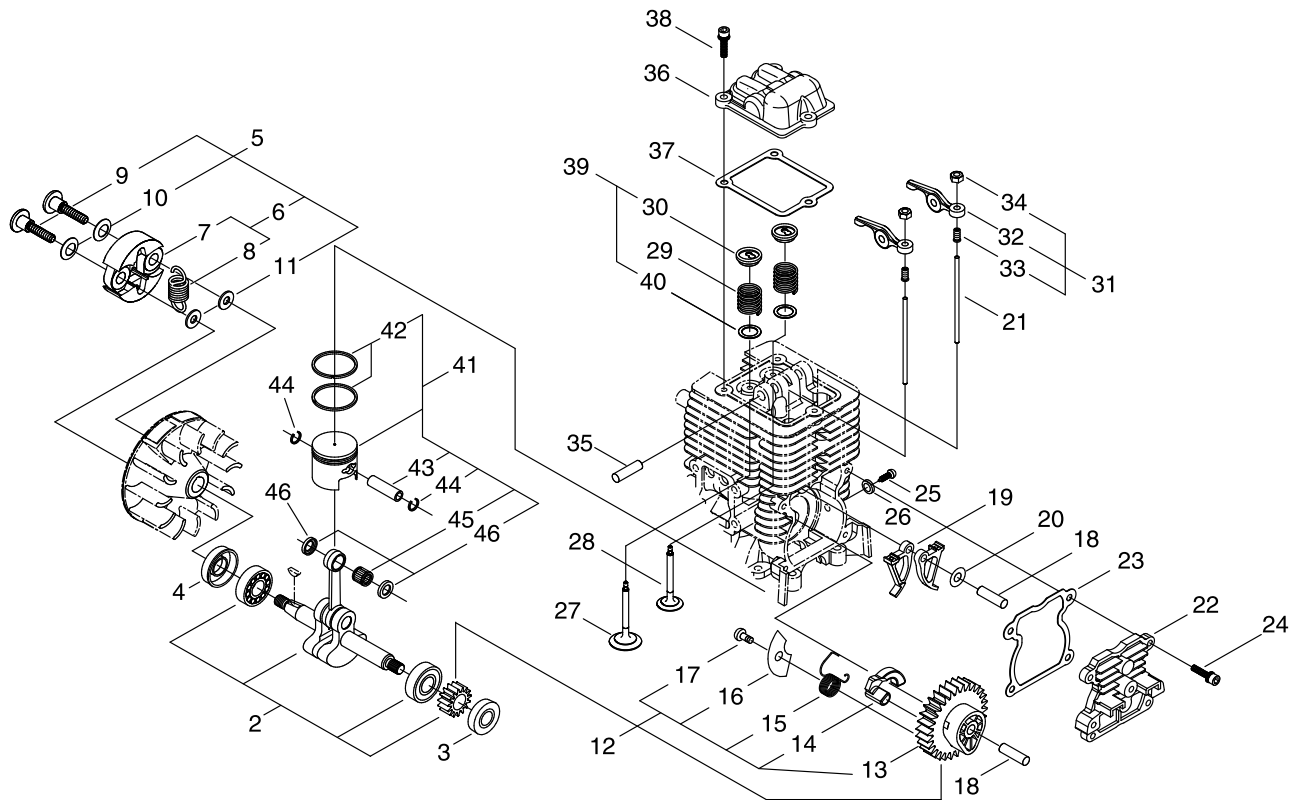
KEY	LV	PART NUMBER	Q'TY	DESCRIPTION	REMARKS	NOTE1	NOTE2
1		P021-027540	1	CYLINDER BLOCK SET			
19	+	900105-05016	8	BOLT, H.S. 5*16	5*16		
2		A024-000020	1	LEAD VALVE			
3		V103-000980	1	GASKET			
4		V485-001260	1	LEAD WIRE	L110		
5		V152-002250	1	BRACKET THROTTLE			
6		C486-000030	1	CABLE ADJUSTER			
7		92018-06000	1	NUT			
8		91582-05025	4	SCREW,PM-SPW			
9		A030-000342	1	MUFFLER ASY			
10	+	A300-001251	1	MUFFLER, EXHAUST			
11	+	A310-000390	1	SCREEN, ARRESTOR			
12	+	A313-001391	1	GUIDE, EXHAUST			
13	+	91572-04006	2	SCREW,PM-SW			
14		V104-001431	1	GASKET, EXHAUST			
15		V203-001000	2	BOLT			
16		900105-05016	1	BOLT, H.S. 5*16	5*16		
17		900600-00005	3	WASHER 5	5		
18		900330-40080	2	PIN F 4*8	4*8		

## 2. FAN CASE



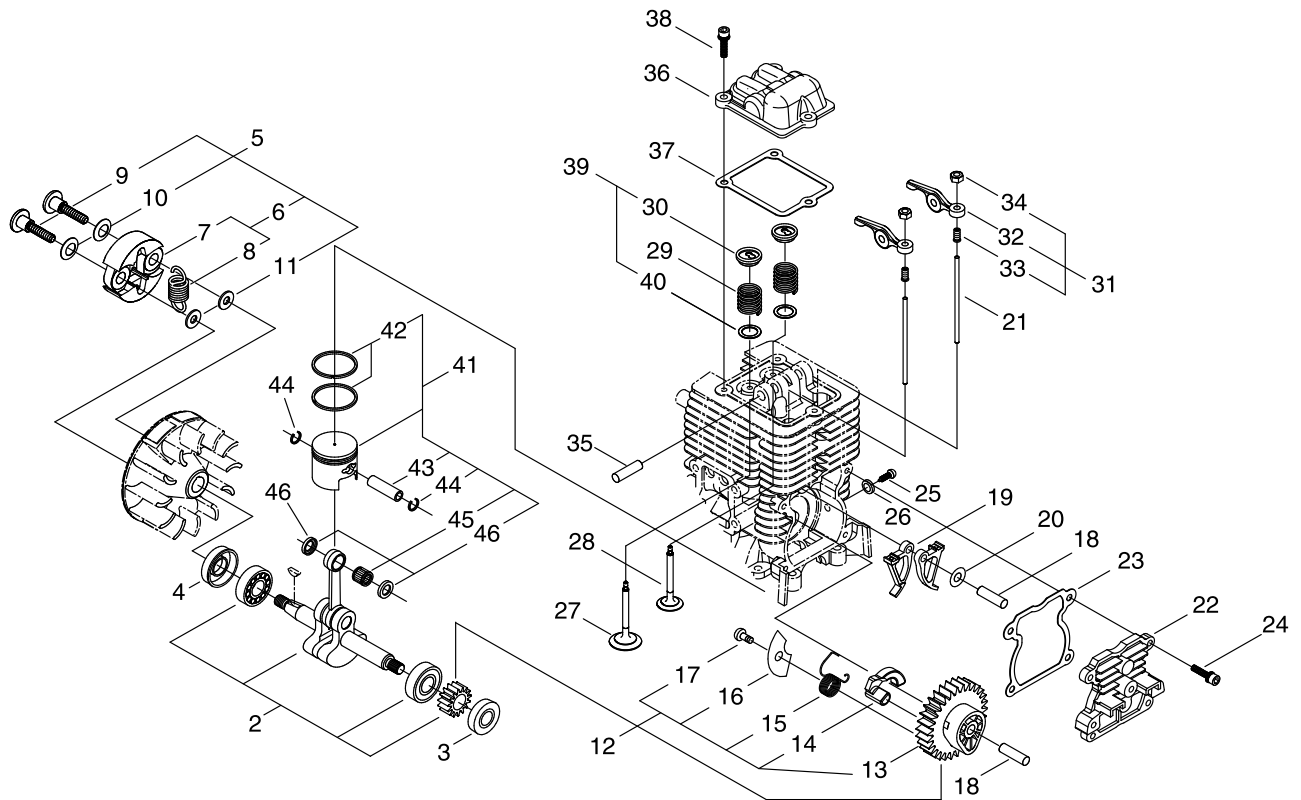
KEY	LV	PART NUMBER	Q'TY	DESCRIPTION	REMARKS	NOTE1	NOTE2
1		A200-000750	1	INSULATOR			
2		A211-000030	1	VALVE, REED			
3		A212-000040	1	STOPPER			
4		91341-03010	3	SCREW-SW	M3*10		
5		A123-000000	1	COVER			
6		V109-000100	1	GASKET			
7		V202-000350	4	BOLT-SPW	M4-14		
8		P021-027551	1	FAN COVER ASSY			
9	+	P021-028491	1	FAN COVER COMP			
10	++	A172-002030	1	COVER, FAN			
11	++	94002-36001	2	BEARING, BALL			
12	++	92424-28000	1	SNAP RING			
13	++	A556-001360	1	DRUM, CLUTCH			
14	++	900706-00012	1	CIRCLIP 12	WR-12		
15	+	A575-000370	1	JOINT			
16	+	92424-42000	1	SNAP RING	42MM C-RING		
17	+	V203-000620	1	BOLT-SW			
18		900105-05016	2	BOLT, H.S. 5*16	5*16		
19		V203-000530	2	BOLT SW			
20		A160-001632	1	COVER, CYLINDER			
21		A429-000130	1	GROMMET			
22		V202-000350	3	BOLT-SPW	M4-14		
23		X543-004100	1	LABEL, MODEL	PROFESSIONAL		
24		X504-006761	1	LABEL, BRAND			

### 3. PISTON, CRANKSHAFT



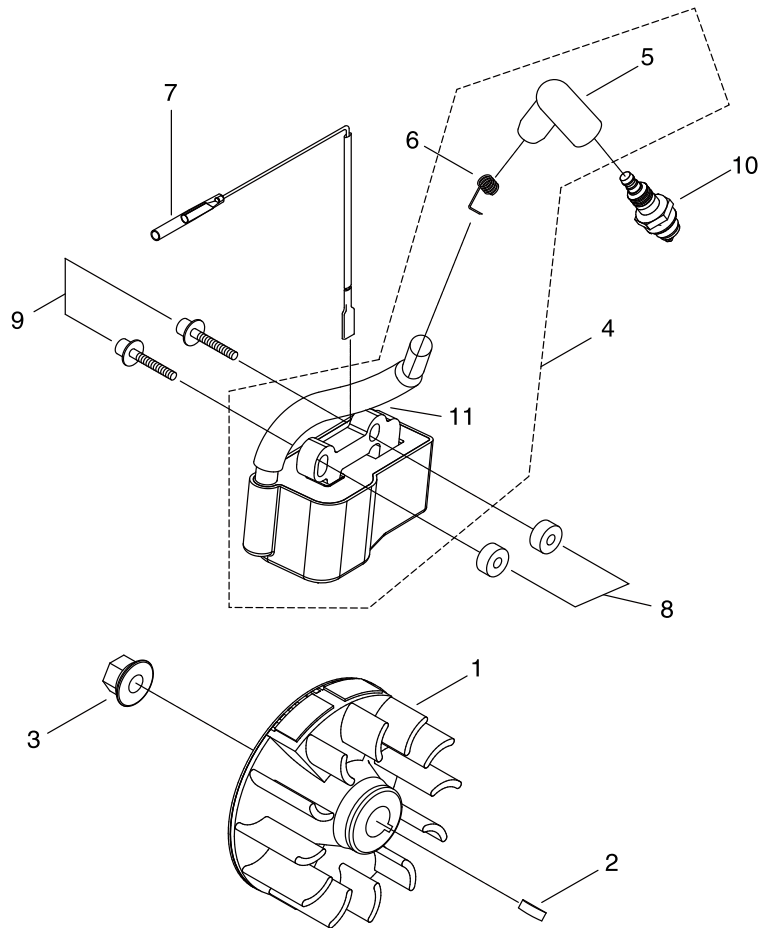
KEY	LV	PART NUMBER	Q'TY	DESCRIPTION	REMARKS	NOTE1	NOTE2
2		A011-000651	1	CRANKSHAFT,ASY			
3		V505-000020	1	SEAL,OIL 12	12*22*7		
4		V505-000060	1	OIL SEAL			
5		A056-000410	1	CLUTCH SHOE ASSY			
6	+	A056-000420	1	CLUTCH SHOE SUB ASSY			
7	++	A553-000120	2	CLUTCH SHOE			
8	++	A566-000110	1	SPRING			
9	+	A557-000080	2	BOLT			
10	+	V346-000040	2	SPRING PLATE			
11	+	V304-000150	2	WASHER			
12		A063-000000	1	CAM GEAR ASSY			
13	+	A622-000000	1	CAM GEAR			
14	+	A146-000000	1	WEIGHT			
15	+	V452-000610	1	COIL SPRING			
16	+	C603-000240	1	PLATE			
17	+	91449-04006	1	SCREW,TAPPING			
18		V623-000030	2	ROLLER	5*L29.8		
19		A600-000001	2	LIFTER			
20		V303-000220	1	WASHER	T0.3		
21		A607-000001	2	ROD,PUSH			
22		A136-000000	1	CAM GEAR COVER			
23		V109-000040	1	GASKET			
24		V202-000350	4	BOLT-SPW	M4-14		
25		V253-000540	1	SCREW			
26		V303-000120	1	COLLAR	5.5,10 T=2		
27		A603-000000	1	INTAKE VALVE			

### 3. PISTON, CRANKSHAFT



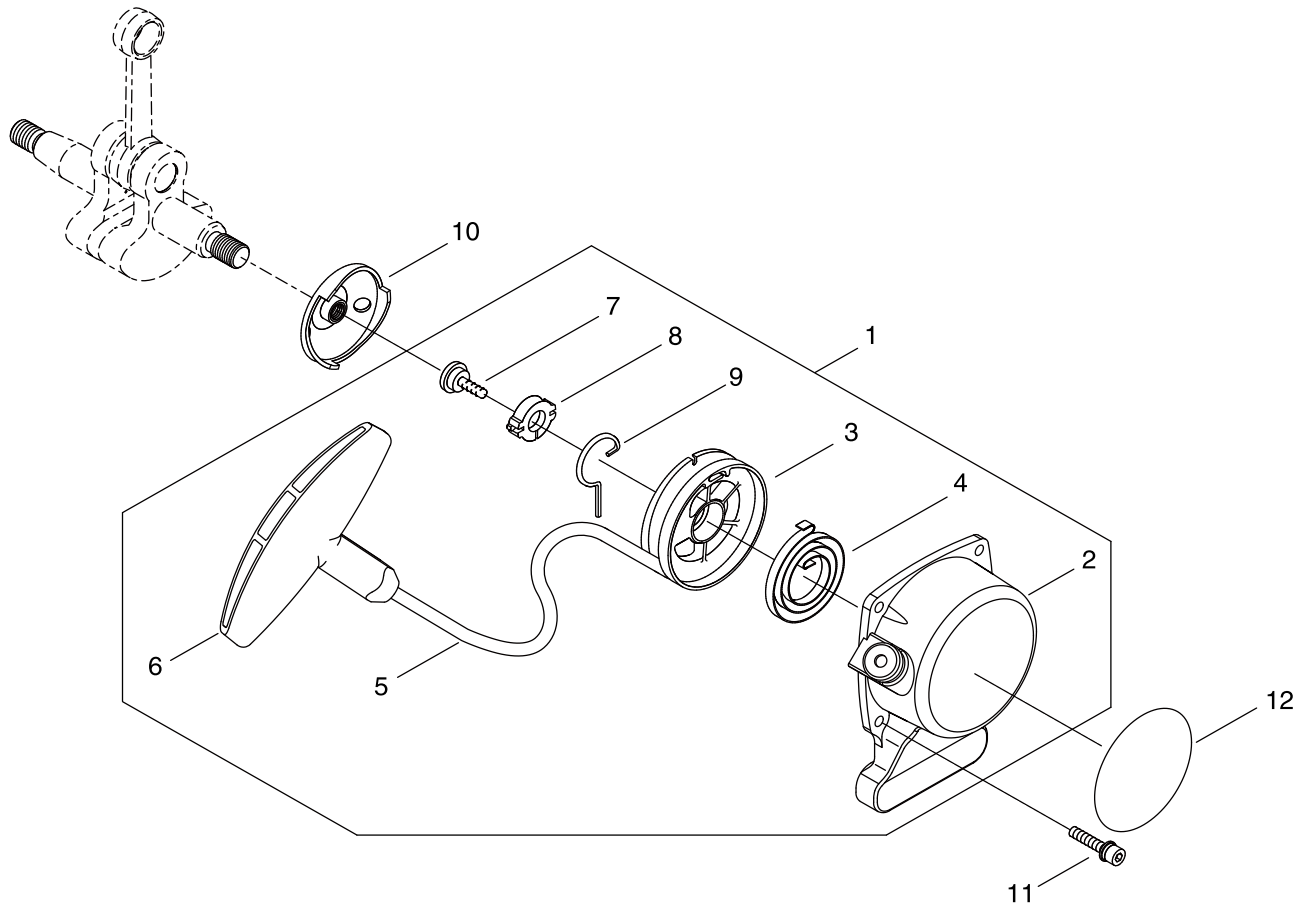
KEY	LV	PART NUMBER	Q'TY	DESCRIPTION	REMARKS	NOTE1	NOTE2
28		A603-000010	1	EXHAUST VALVE			
29		A604-000010	2	VALVE SPRING			
31		A610-000050	2	ROCKER ARM ASSY			
32	+	A610-000060	2	ROCKER ARM			
33	+	A613-000010	2	ADJUST SCREW			
34	+	V263-000230	2	NUT			
35		V623-000010	1	ROLLER	5*L37.8		
36		A137-000000	1	ROCKER ARM COVER			
37		V109-000050	1	GASKET			
38		V202-000350	3	BOLT-SPW	M4-14		
39		P021-027590	1	RETAINER SET			
30	+	A606-000040	2	RETAINER			
40	+	V392-000030	2	PLATE			
41		P021-033972	1	PISTON SET			
42	+	A101-000240	2	PISTON RING			
43	+	V608-000060	1	PISTON PIN			
44	+	V580-000110	2	SNAP RING			
45	+	V555-000080	1	NEEDLE BEARING			
46	+	V307-000200	2	THRUST WASHER			

## 4. MAGNETO



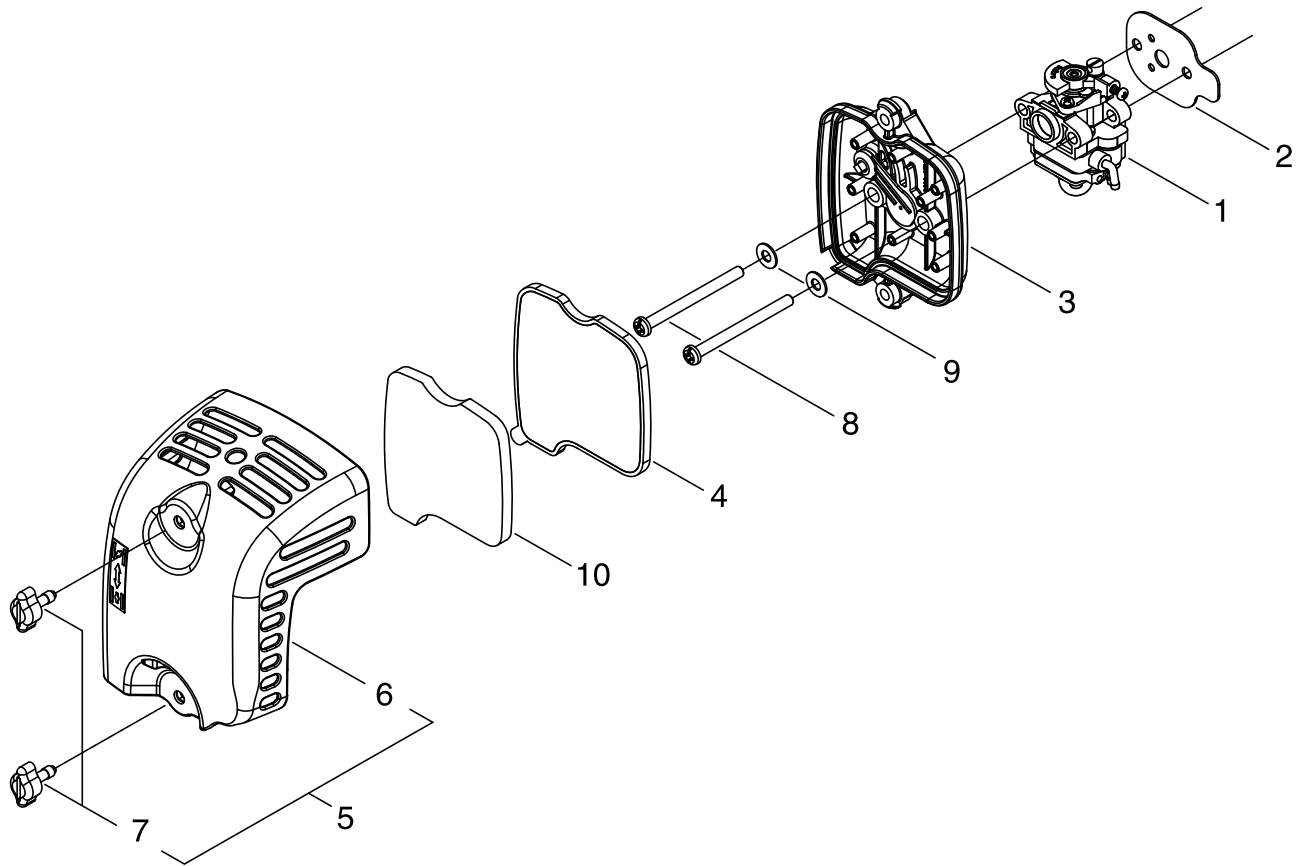
KEY	LV	PART NUMBER	Q'TY	DESCRIPTION	REMARKS	NOTE1	NOTE2
1		A409-000630	1	ROTOR			
2		93115-03010	1	KEY	3*10		
3		V265-000140	1	NUT			
4		A411-000770	1	COIL ASSY			
5	+	A427-000110	1	PLUG CAP			
6	+	A426-000070	1	COIL SPRING			
11	+	V475-005160	1	TUBE			
7		V485-001630	1	LEAD WIRE	L=220		
8		V322-000040	2	INSULATOR			
9		V202-000360	2	BOLT-SLPW	M4*26		
10		A425-000040	1	SPARKPLUG	NGK CMR5H		

## 5. RECOIL STARTER



KEY	LV	PART NUMBER	Q'TY	DESCRIPTION	REMARKS	NOTE1	NOTE2
1		A051-001500	1	RECOIL STARTER ASSY			
2	+	A500-000630	1	STARTER CASE			
3	+	A506-000140	1	REEL			
4	+	A504-000100	1	RECOIL SPRING			
5	+	A509-000070	1	ROPE			
6	+	A511-000100	1	KNOB			
7	+	V253-000310	1	SCREW			
8	+	V353-000310	1	COLLAR			
9	+	C810-000120	1	SWING ARM			
10		A052-000300	1	STARTER PULLEY			
11		V202-000350	4	BOLT-SPW	M4-14		
12		X504-006750	1	LABEL BRAND			

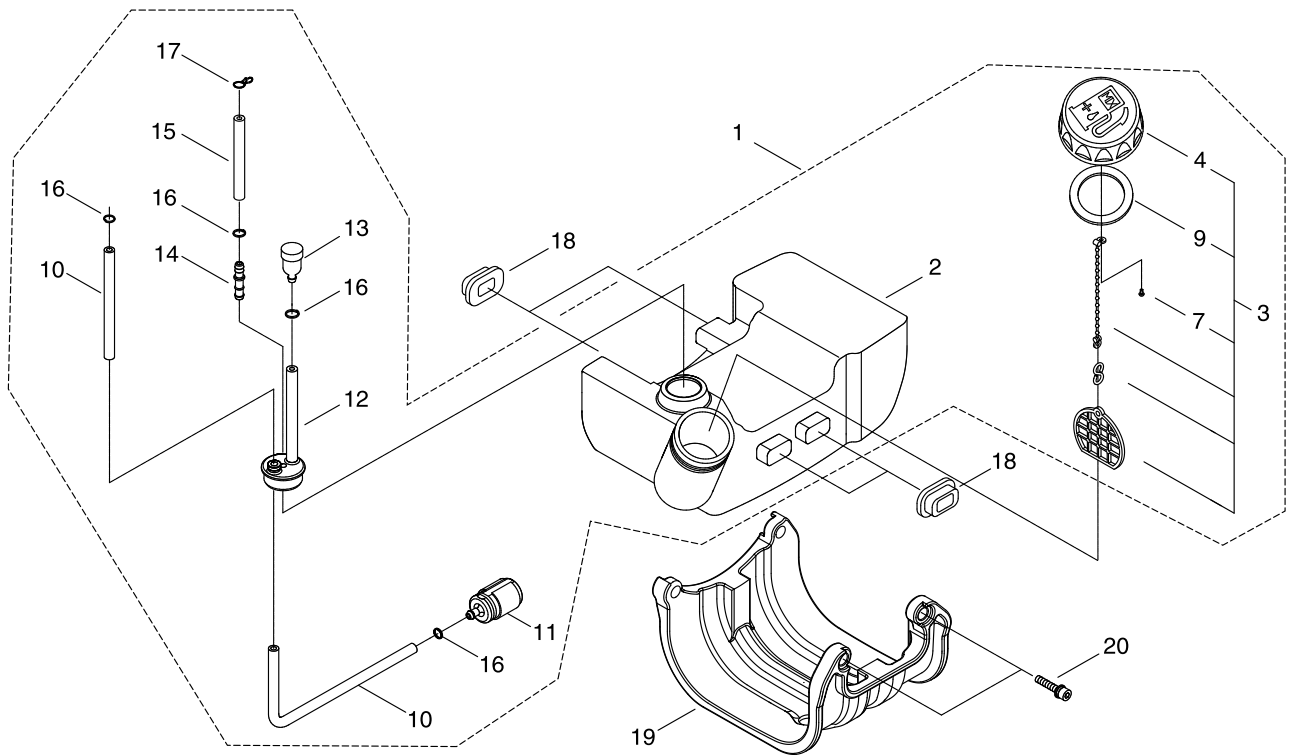
## 6. AIR CLEANER



KEY	LV	PART NUMBER	Q'TY	DESCRIPTION	REMARKS	NOTE1	NOTE2
1		A021-002480	1	CABURETOR ASSY			
2		V103-000570	1	GASKET			
3		A023-000300	1	CASE,CLEANER			
4		A226-000690	1	FILTER			
5		P021-028562	1	CLEANER COVER ASSY			
6	+	A232-000912	1	LID,CLEANER	ID_1760		
7	+	V299-000570	2	KNOB,FASTENER			
8		91581-05060	2	SCREW,PM			
9		900603-00005	2	WASHER 5	5.5*12*0.8		
10		A226-000700	1	PREFILTER			

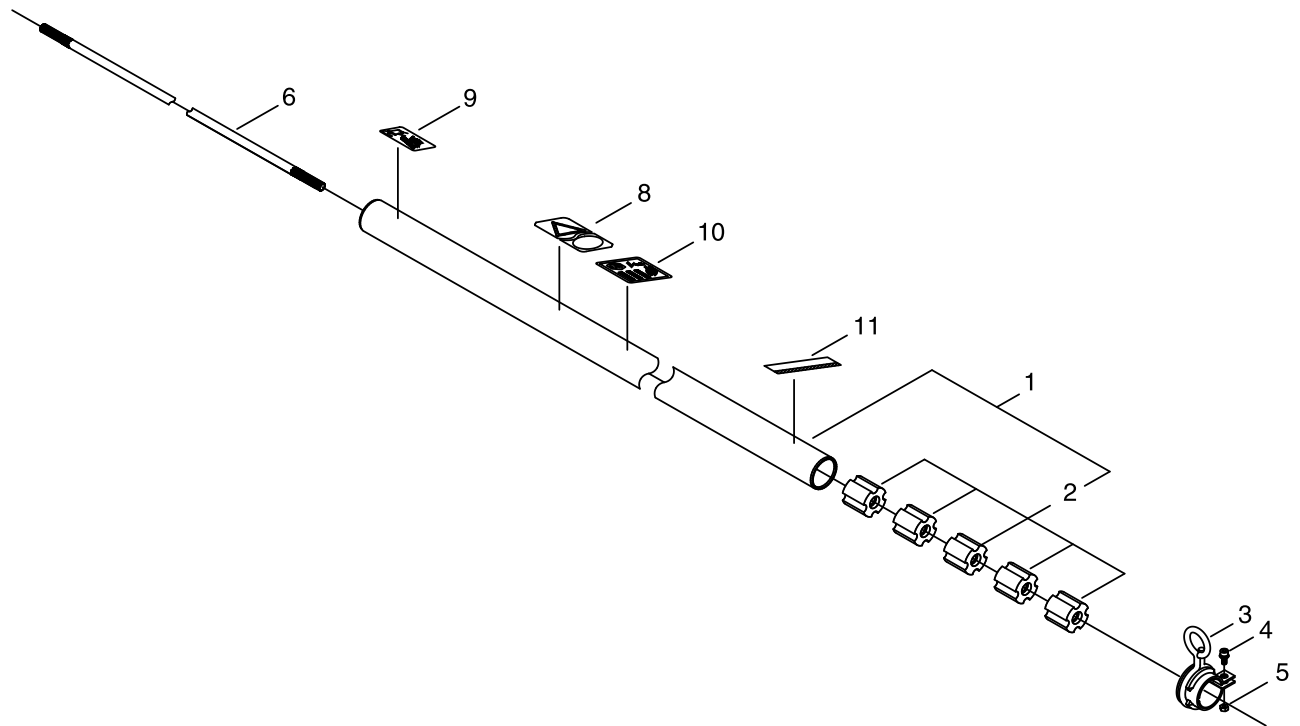


## 7. FUEL TANK



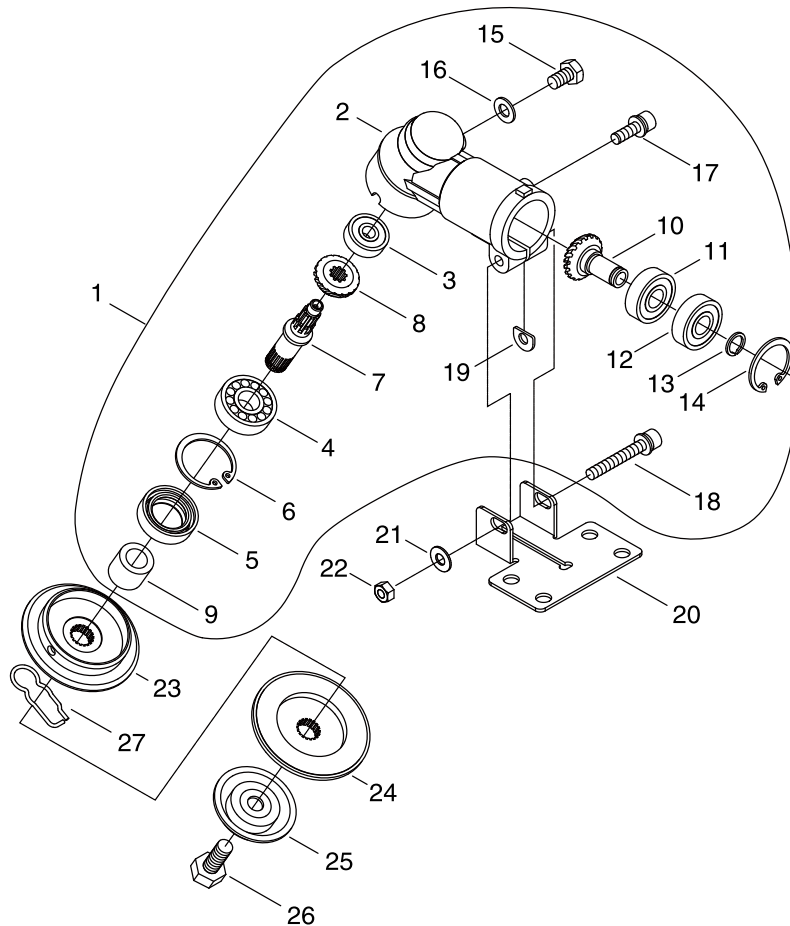
KEY	LV	PART NUMBER	Q'TY	DESCRIPTION	REMARKS	NOTE1	NOTE2
1		P021-028511	1	FUEL TANK ASSY			
2	+	A350-001340	1	FUEL TANK			
3	+	A033-000330	1	CAP, FUEL			
4	++	A355-000180	1	FUEL CAP			
7	++	91483-02506	1	SCREW TAPPING			
9	++	V107-000010	1	GASKET			
10	+	V471-002570	1	FUEL PIPE			
11	+	A369-000070	1	FUEL FILTER			
12	+	V470-000880	1	GROMMET			
13	+	A356-000050	1	VALVE, CHECK			
14	+	V186-000210	1	JOINT			
15	+	V471-002520	1	PIPE			
16	+	V490-000500	4	CLIP			
17	+	V490-000510	1	CLIP			
18		V420-002220	4	TANK CUSHION			
19		A175-000220	1	TANK GUARD			
20		V203-000351	2	BOLT, 5	M5X20 WSW		

## 8. MAIN PIPE



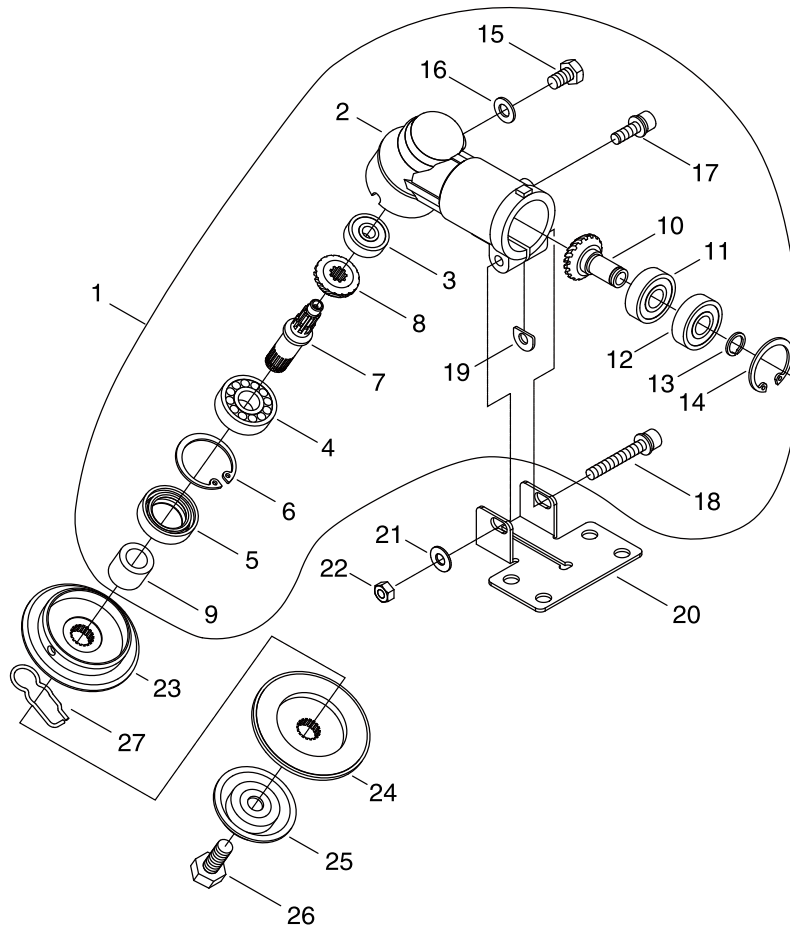
KEY	LV	PART NUMBER	Q'TY	DESCRIPTION	REMARKS	NOTE1	NOTE2
1		C050-002060	1	PIPE, MAIN			
2	+	C501-000120	5	BUSHING			
3		C063-000010	1	HANGER			
4		V203-000701	1	BOLT,5	M5X12 WSW		
5		900500-00005	1	NUT 5	5		
6		C504-000710	1	MAIN SHAFT			
8		890617-43130	1	LABEL,CAUTION			
9		X517-000140	1	LABEL CAUTION			
10		X508-000340	1	LABEL DECIBEL			
11		X524-002380	1	HANDLE LABEL			

## 9. GEAR CASE

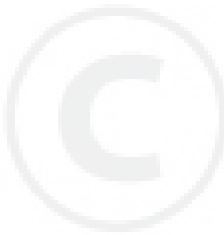


KEY	LV	PART NUMBER	Q'TY	DESCRIPTION	REMARKS	NOTE1	NOTE2
1		C051-000481	1	CASE,GEAR			
2	+	C531-000581	1	CASE,GEAR			
3	+	94028-40609	1	BEARING			
4	+	900810-06201	1	BEARING, BALL 6201	6201		
5	+	V510-000000	1	OIL SEAL			
6	+	92424-32000	1	SNAP RING			
7	+	C534-000900	1	SHAFT, GEAR			
8	+	V651-000450	1	BEVEL GEAR			
9	+	V356-000500	1	COLLAR			
10	+	V651-000460	1	PINION SET			
11	+	900855-06901	1	BEARING, BALL 6901	6901		
12	+	900859-06901	1	BEARING, BALL	6901		
13	+	900706-00012	1	CIRCLIP 12	WR-12		
14	+	92424-24000	1	SNAP RING			
15	+	V206-000250	1	BOLT			
16	+	V307-000230	1	GASKET			
17	+	V203-000591	1	BOLT,5	M5X16 WSW		
18	+	V204-000450	1	BOLT SPW			
19	+	V340-000280	1	SHIM			
20		C551-000140	1	LOWER CLAMP			
21		900603-00006	1	WASHER 6	6.5*13*1		
22		900500-00006	1	NUT 6	6		
23		C535-000641	1	FIXTURE, BLADE			
24		C535-000651	1	FIXTURE, BLADE			
25		C535-000630	1	FIXTURE, BLADE			
26		V205-001070	1	BOLT,8			

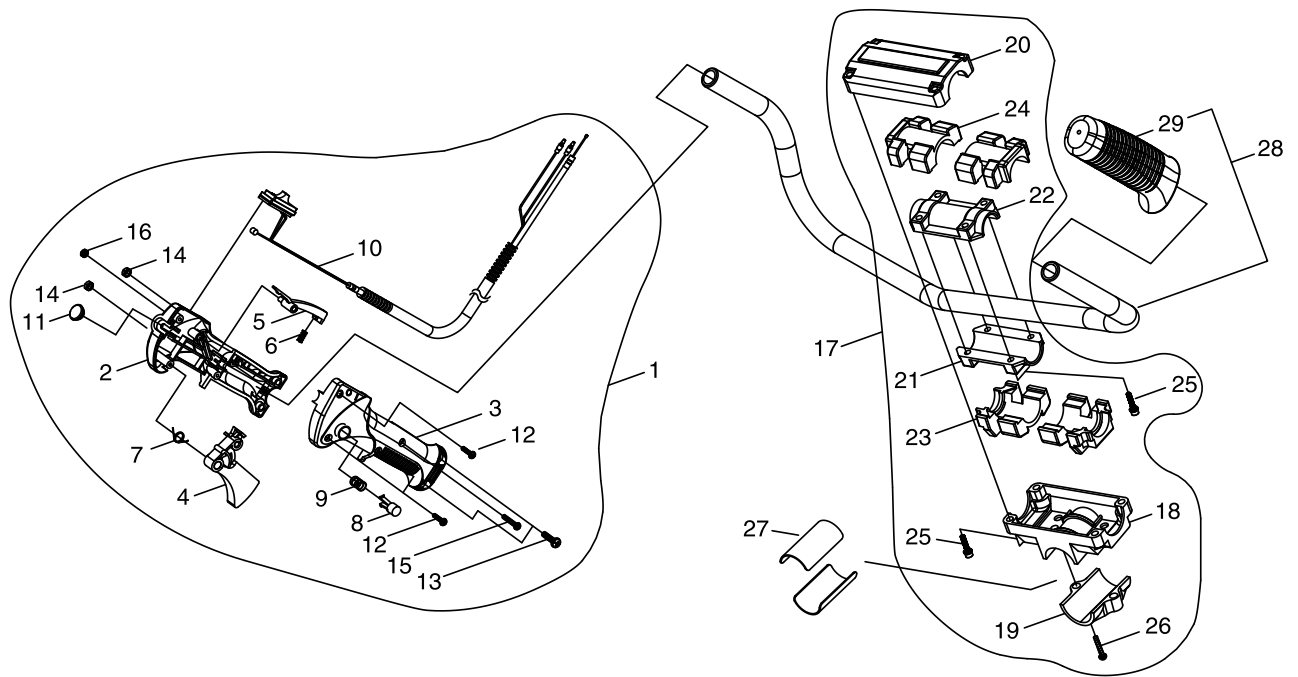
9. GEAR CASE



KEY	LV	PART NUMBER	Q'TY	DESCRIPTION	REMARKS	NOTE1	NOTE2
27		V641-000150	1	PIN,SNAP			

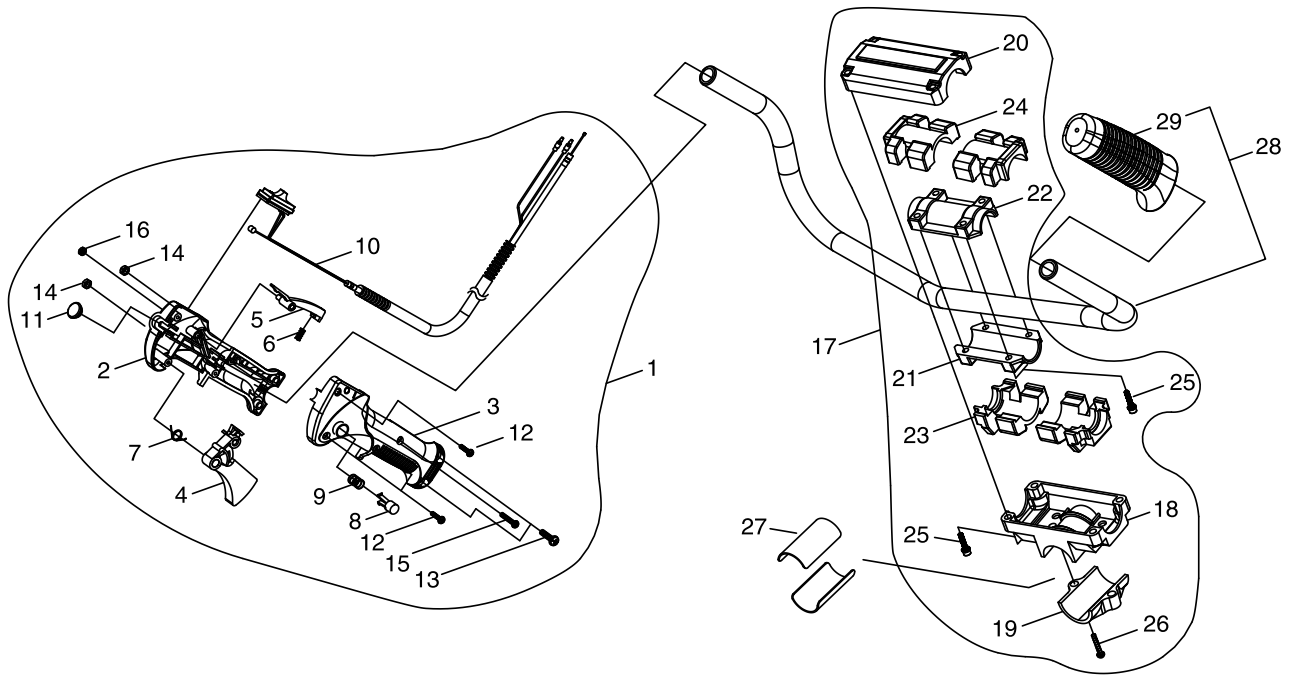


## 10. HANDLE



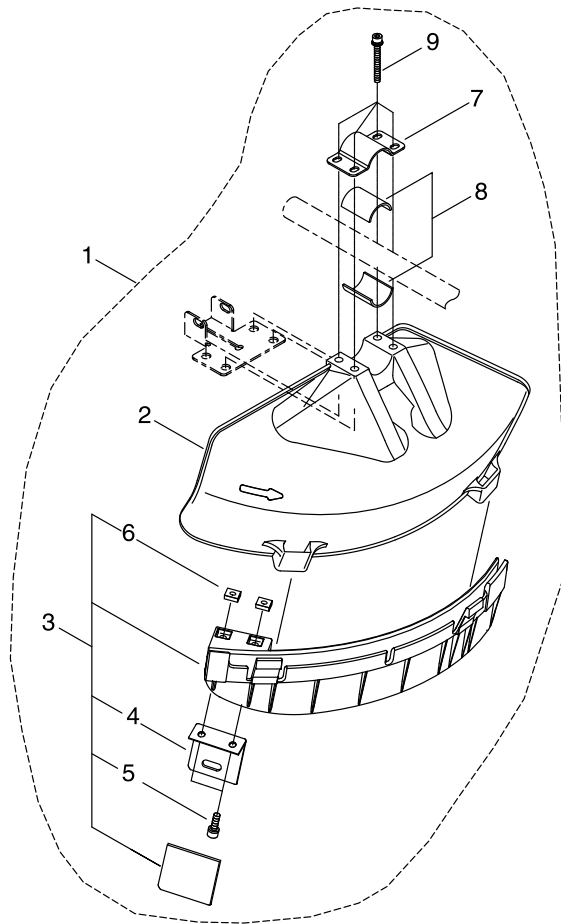
KEY	LV	PART NUMBER	Q'TY	DESCRIPTION	REMARKS	NOTE1	NOTE2
1		C044-000841	1	CONTROL, THROTTLE			
2	+	C412-000430	1	BODY RIGHT			
3	+	C412-000440	1	BODY LEFT			
4	+	C450-000581	1	CONTROL, THROTTLE			
5	+	C460-000241	1	LOCKOUT, THROTTLE			
6	+	V450-001020	1	COIL SPRING			
7	+	V452-000690	1	COIL SPRING			
8	+	C461-000080	1	BUTTON			
9	+	V450-001010	1	COIL SPRING			
10	+	V043-000500	1	THROTTLE CABLE ASSY			
11	+	V162-000410	1	PLUG			
12	+	V252-000360	3	SCREW TAPPING			
13	+	V253-000580	2	SCREW PM			
14	+	92017-05000	2	NUT	M5		
15	+	V252-000090	1	SCREW			
16	+	V262-000100	1	NUT			
17		P021-033251	1	BRACKET COMP			
18	+	C423-000710	1	HANDLE BRACKET			
19	+	C423-000730	1	LOWER CAP			
20	+	C423-000750	1	UPPER CAP			
21	+	C423-000760	1	LOWER CLAMP			
22	+	C423-000770	1	UPPER CLAMP			
23	+	V420-002460	2	LOWER CUSHION			
24	+	V420-002470	2	UPPER CUSHION			
25	+	V203-000631	8	BOLT,5	M5X25 WSW		
26	+	91142-06025	2	SCREW BUTTON			

## 10. HANDLE



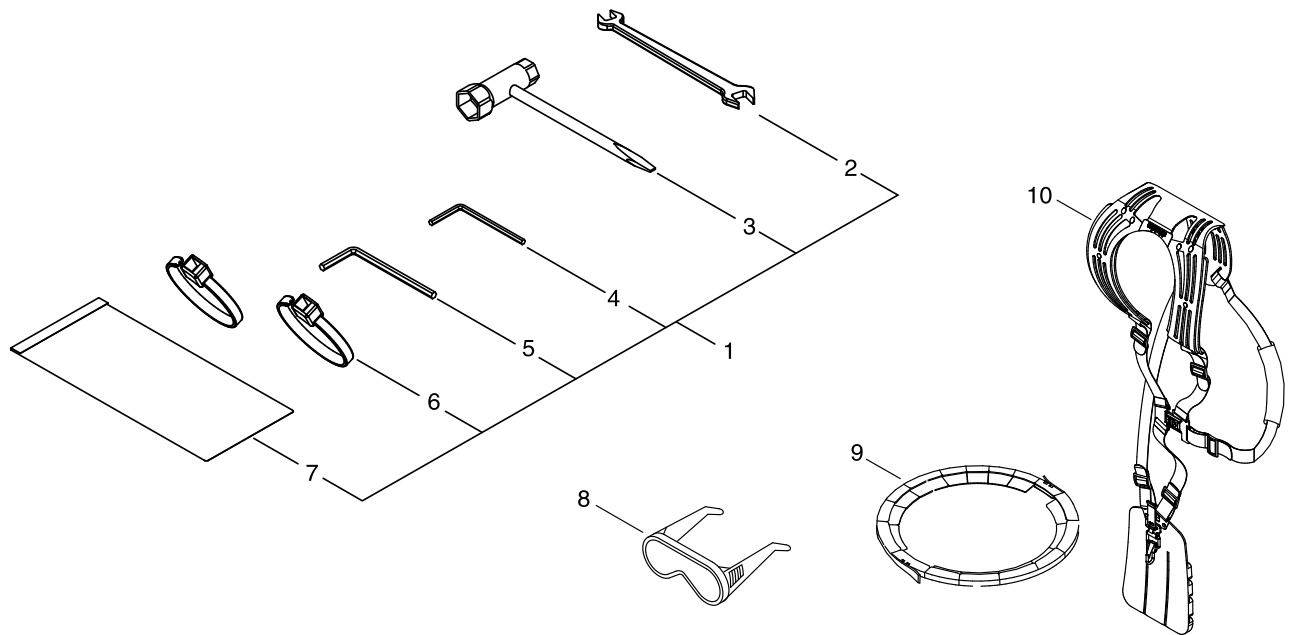
KEY	LV	PART NUMBER	Q'TY	DESCRIPTION	REMARKS	NOTE1	NOTE2
27		C511-000110	2	SPACER			
28		P021-035440	1	HANDLE SUB ASSY			
29	+	C403-000420	1	GRIP			

## 11. BLADE COVER



KEY	LV	PART NUMBER	Q'TY	DESCRIPTION	REMARKS	NOTE1	NOTE2
1		P021-028901	1	GUARD SET			
2	+	C550-000430	1	GUARD			
3	+	P021-028451	1	SUB GUARD ASSY			
4	++	C554-000040	1	CUTTER			
5	++	91122-05016	2	BOLT	CB-5*16 SW		
6	++	V263-000130	2	NUT			
7	+	C551-000060	1	UPPER CLAMP			
8	+	V363-000160	2	SPACER			
9	+	V203-000611	4	BOLT.5	M5X45 WSW		

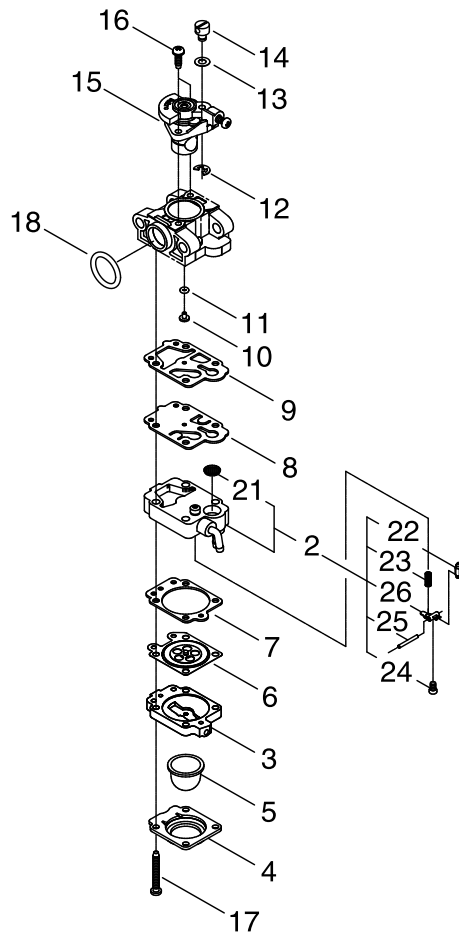
## 12. ACCESSORIES



KEY	LV	PART NUMBER	Q'TY	DESCRIPTION	REMARKS	NOTE1	NOTE2
1		P021-028530	1	TOOL SET			
2	+	X600-000020	1	SPANNER			
3	+	X602-000160	1	PLUG WRENCH			
4	+	X605-000100	1	TOOL,L WRENCH	4MM M5		
5	+	X605-000070	1	HEXA WRENCH 6MM			
6	+	V495-001520	2	BAND			
7	+	X705-000100	1	BAG,PACKING	140*200*T0.08		
8		X690-000080	1	GOGGLE	SI CHINA, Z87.1		
9		X495-000300	2	SCABBARD,BLADE			
10		C062-000430	1	HARNESS ASSY			

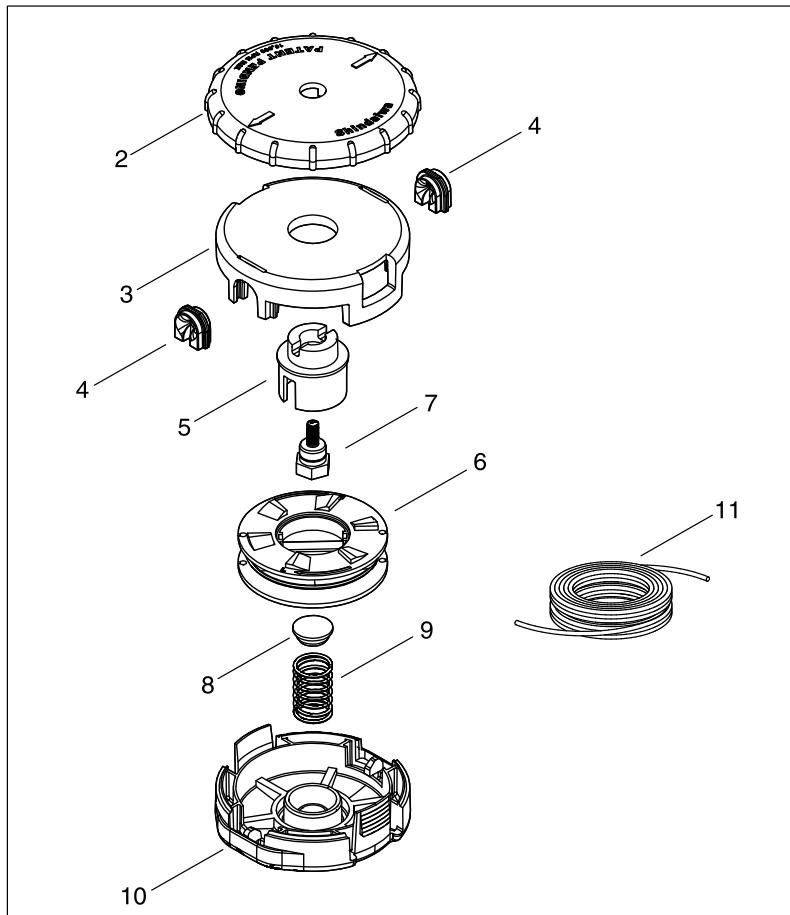


## 13. CARBURETOR



KEY	LV	PART NUMBER	Q'TY	DESCRIPTION	REMARKS	NOTE1	NOTE2
		A021-002480	1	CABURETOR ASSY			
2	+	P003-000510	1	BODY ASSEMBLY, PUMP			
21	++	123126-10631	1	SCREEN, INLET			
22	++	123137-19830	1	VALVE, INLET NEEDLE			
23	++	123122-05560	1	SPRING, METER. LEVER			
24	++	123139-05560	1	SCREW, M. LEVER PIN			
25	++	123138-03930	1	PIN, METERING LEVER			
26	++	123123-03930	1	LEVER, METERING			
3	+	123180-05560	1	BODY, AIR PURGE			
4	+	123142-05560	1	COVER, PRIMER PUMP			
5	+	123181-40630	1	PUMP, PRIMER			
6	+	P003-000090	1	METERING, DIAPHRAGM			
7	+	123140-05560	1	GASKET, M. DIAPHRAGM			
8	+	123112-40630	1	DIAPHRAGM, PUMP			
9	+	123125-40630	1	GASKET, PUMP			
10	+	P003-003940	1	JET			
11	+	123183-40630	1	O-RING			
12	+	123173-07930	1	CLIP			
13	+	123149-54230	1	WASHER			
14	+	123172-45130	1	SWIVEL			
15	+	P003-004630	1	VALVE, THROTTLE			
16	+	123114-44330	2	SCREW			
17	+	123110-05560	4	SCREW, PUMP COVER			
18	+	V581-000180	1	O RING			

## 14. NYLON LINE CUTTER



KEY	LV	PART NUMBER	Q'TY	DESCRIPTION	REMARKS	NOTE1	NOTE2
1		X047-000711	1	CUTTER,ASM LINE	SF450		
2	+	E415-000111	1	KNOB,REGULATOR			
3	+	X470-000211	1	DRUM,REEL			
4	+	X475-000050	2	EYELETS			
5	+	X476-000021	1	HUB,REEL			
6	+	X473-000031	1	REEL,CORD			
7	+	X471-000090	1	SHAFT,CORD			
8	+	V494-000280	1	SPRING CAP			
9	+	V450-000871	1	SPRING,COMPRESSION			
10	+	X472-000031	1	LID,DRUM			
11	+	X474-000120	1	CORD			

**Index**

<b>Patrs Number</b>	<b>Key No.</b>	<b>Patrs Number</b>	<b>Key No.</b>	<b>Patrs Number</b>	<b>Key No.</b>
123110-05560	13 - 17	94028-40609	9 - 3	A575-000370	2 - 15
123112-40630	13 - 8	A011-000651	3 - 2	A600-000001	3 - 19
123114-44330	13 - 16	A021-002480	6 - 1	A603-000000	3 - 27
123122-05560	13 - 23	A021-002480	13 -	A603-000010	3 - 28
123123-03930	13 - 26	A023-000300	6 - 3	A604-000010	3 - 29
123125-40630	13 - 9	A024-000020	1 - 2	A606-000040	3 - 30
123126-10631	13 - 21	A030-000342	1 - 9	A607-000001	3 - 21
123137-19830	13 - 22	A033-000330	7 - 3	A610-000050	3 - 31
123138-03930	13 - 25	A051-001500	5 - 1	A610-000060	3 - 32
123139-05560	13 - 24	A052-000300	5 - 10	A613-000010	3 - 33
123140-05560	13 - 7	A056-000410	3 - 5	A622-000000	3 - 13
123142-05560	13 - 4	A056-000420	3 - 6	C044-000841	10 - 1
123149-54230	13 - 13	A063-000000	3 - 12	C050-002060	8 - 1
123172-45130	13 - 14	A101-000240	3 - 42	C051-000481	9 - 1
123173-07930	13 - 12	A123-000000	2 - 5	C062-000430	12 - 10
123180-05560	13 - 3	A136-000000	3 - 22	C063-000010	8 - 3
123181-40630	13 - 5	A137-000000	3 - 36	C403-000420	10 - 29
123183-40630	13 - 11	A146-000000	3 - 14	C412-000430	10 - 2
890617-43130	8 - 8	A160-001632	2 - 20	C412-000440	10 - 3
900105-05016	1 - 19	A172-002030	2 - 10	C423-000710	10 - 18
900105-05016	1 - 16	A175-000220	7 - 19	C423-000730	10 - 19
900105-05016	2 - 18	A200-000750	2 - 1	C423-000750	10 - 20
900330-40080	1 - 18	A211-000030	2 - 2	C423-000760	10 - 21
900500-00005	8 - 5	A212-000040	2 - 3	C423-000770	10 - 22
900500-00006	9 - 22	A226-000690	6 - 4	C450-000581	10 - 4
900600-00005	1 - 17	A226-000700	6 - 10	C460-000241	10 - 5
900603-00005	6 - 9	A232-000912	6 - 6	C461-000080	10 - 8
900603-00006	9 - 21	A300-001251	1 - 10	C486-000030	1 - 6
900706-00012	2 - 14	A310-000390	1 - 11	C501-000120	8 - 2
900706-00012	9 - 13	A313-001391	1 - 12	C504-000710	8 - 6
900810-06201	9 - 4	A350-001340	7 - 2	C511-000110	10 - 27
900855-06901	9 - 11	A355-000180	7 - 4	C531-000581	9 - 2
900859-06901	9 - 12	A356-000050	7 - 13	C534-000900	9 - 7
91122-05016	11 - 5	A369-000070	7 - 11	C535-000630	9 - 25
91142-06025	10 - 26	A409-000630	4 - 1	C535-000641	9 - 23
91341-03010	2 - 4	A411-000770	4 - 4	C535-000651	9 - 24
91449-04006	3 - 17	A425-000040	4 - 10	C550-000430	11 - 2
91483-02506	7 - 7	A426-000070	4 - 6	C551-000060	11 - 7
91572-04006	1 - 13	A427-000110	4 - 5	C551-000140	9 - 20
91581-05060	6 - 8	A429-000130	2 - 21	C554-000040	11 - 4
91582-05025	1 - 8	A500-000630	5 - 2	C603-000240	3 - 16
92017-05000	10 - 14	A504-000100	5 - 4	C810-000120	5 - 9
92018-06000	1 - 7	A506-000140	5 - 3	E415-000111	14 - 2
92424-24000	9 - 14	A509-000070	5 - 5	P003-000090	13 - 6
92424-28000	2 - 12	A511-000100	5 - 6	P003-000510	13 - 2
92424-32000	9 - 6	A553-000120	3 - 7	P003-003940	13 - 10
92424-42000	2 - 16	A556-001360	2 - 13	P003-004630	13 - 15
93115-03010	4 - 2	A557-000080	3 - 9	P021-027540	1 - 1
94002-36001	2 - 11	A566-000110	3 - 8	P021-027551	2 - 8

**Index**

<b>Patrs Number</b>	<b>Key No.</b>	<b>Patrs Number</b>	<b>Key No.</b>	<b>Patrs Number</b>	<b>Key No.</b>
P021-027590	3 - 39	V303-000220	3 - 20	X495-000300	12 - 9
P021-028451	11 - 3	V304-000150	3 - 11	X504-006750	5 - 12
P021-028491	2 - 9	V307-000200	3 - 46	X504-006761	2 - 24
P021-028511	7 - 1	V307-000230	9 - 16	X508-000340	8 - 10
P021-028530	12 - 1	V322-000040	4 - 8	X517-000140	8 - 9
P021-028562	6 - 5	V340-000280	9 - 19	X524-002380	8 - 11
P021-028901	11 - 1	V346-000040	3 - 10	X543-004100	2 - 23
P021-033251	10 - 17	V353-000310	5 - 8	X600-000020	12 - 2
P021-033972	3 - 41	V356-000500	9 - 9	X602-000160	12 - 3
P021-035440	10 - 28	V363-000160	11 - 8	X605-000070	12 - 5
V043-000500	10 - 10	V392-000030	3 - 40	X605-000100	12 - 4
V103-000570	6 - 2	V420-002220	7 - 18	X690-000080	12 - 8
V103-000980	1 - 3	V420-002460	10 - 23	X705-000100	12 - 7
V104-001431	1 - 14	V420-002470	10 - 24		
V107-000010	7 - 9	V450-000871	14 - 9		
V109-000040	3 - 23	V450-001010	10 - 9		
V109-000050	3 - 37	V450-001020	10 - 6		
V109-000100	2 - 6	V452-000610	3 - 15		
V152-002250	1 - 5	V452-000690	10 - 7		
V162-000410	10 - 11	V470-000880	7 - 12		
V186-000210	7 - 14	V471-002520	7 - 15		
V202-000350	2 - 7	V471-002570	7 - 10		
V202-000350	2 - 22	V475-005160	4 - 11		
V202-000350	3 - 24	V485-001260	1 - 4		
V202-000350	3 - 38	V485-001630	4 - 7		
V202-000350	5 - 11	V490-000500	7 - 16		
V202-000360	4 - 9	V490-000510	7 - 17		
V203-000351	7 - 20	V494-000280	14 - 8		
V203-000530	2 - 19	V495-001520	12 - 6		
V203-000591	9 - 17	V505-000020	3 - 3		
V203-000611	11 - 9	V505-000060	3 - 4		
V203-000620	2 - 17	V510-000000	9 - 5		
V203-000631	10 - 25	V555-000080	3 - 45		
V203-000701	8 - 4	V580-000110	3 - 44		
V203-001000	1 - 15	V581-000180	13 - 18		
V204-000450	9 - 18	V608-000060	3 - 43		
V205-001070	9 - 26	V623-000010	3 - 35		
V206-000250	9 - 15	V623-000030	3 - 18		
V252-000090	10 - 15	V641-000150	9 - 27		
V252-000360	10 - 12	V651-000450	9 - 8		
V253-000310	5 - 7	V651-000460	9 - 10		
V253-000540	3 - 25	X047-000711	14 - 1		
V253-000580	10 - 13	X470-000211	14 - 3		
V262-000100	10 - 16	X471-000090	14 - 7		
V263-000130	11 - 6	X472-000031	14 - 10		
V263-000230	3 - 34	X473-000031	14 - 6		
V265-000140	4 - 3	X474-000120	14 - 11		
V299-000570	6 - 7	X475-000050	14 - 4		
V303-000120	3 - 26	X476-000021	14 - 5		

# YAMABIKO CORPORATION

7-2 SUEHIROCHO 1-CHOME, OHME, TOKYO 198-8760, JAPAN  
PHONE: 81-428-32-6118. FAX: 81-428-32-6145.

**shindaiwa<sup>®</sup>**



12Lb  
No. 05-136