

**shindaiwa<sup>®</sup>**

# **PARTS CATALOG**

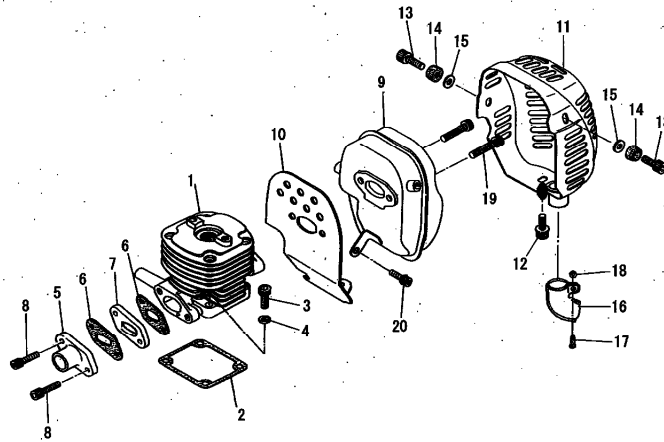
**BRUSHCUTTER**

**BP45 EC1**



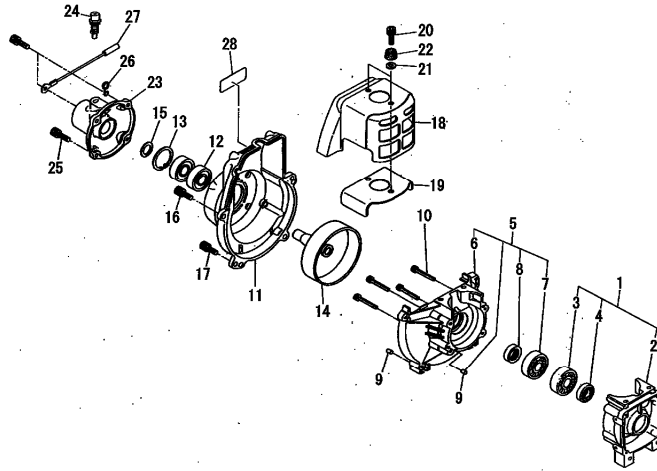
BP45 EC1

## 1. CYLINDER, MUFFLER



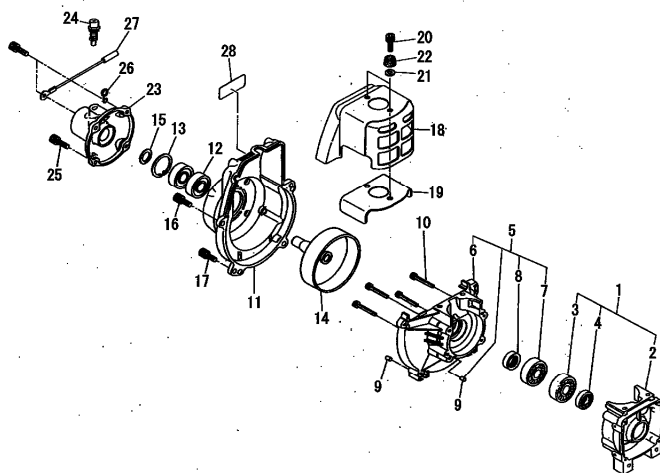
KEY	LV	PART NUMBER	Q'TY	DESCRIPTION	REMARKS	NOTE1	NOTE2
1		70198-12110	1	CYLINDER			
2		20010-12121	1	GASKET CYLINDER			
3		01020-05250	4	BOLT		M5x25	
4		01600-05131	4	SPRING WASHER		5mm	
5		20051-12211	1	INLET PIPE			
6		20051-12221	2	GASKET INSULATOR			
7		20051-12230	1	INSULATOR			
8		11022-05250	2	BOLT SPW		M5x25	
9		70199-15110	1	MUFFLER			
10		70210-15212	1	GASKET			
11		70199-15312	1	MUFFLER GUARD			
12		11024-05100	1	BOLT SLPW		M5x10	
13		11020-05100	2	BOLT SW		M5x10	
14		70196-32160	2	COVER			
15		70196-32150	2	WASHER			
16		20050-15410	1	TAIL PIPE			
17		11203-04100	1	SCREW PM		M4x10	
18		01500-04031	1	NUT		M4	
19		01020-06250	2	BOLT		M6x25	
20		11024-05120	1	BOLT SLPW		M5x12	

## 2. CRANKCASE, FANCOVER



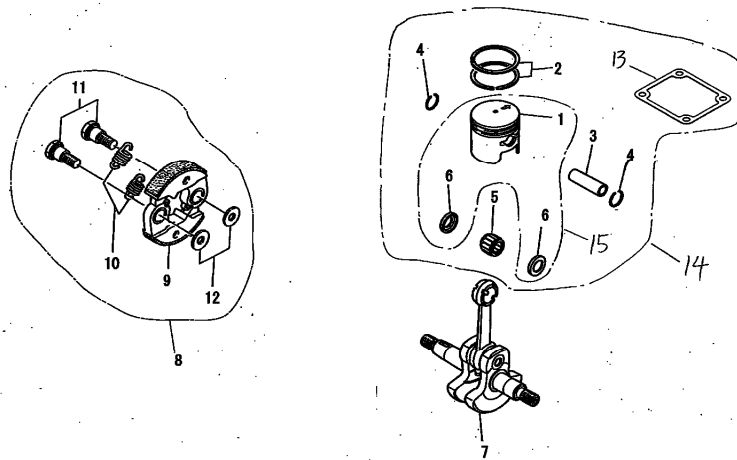
KEY	LV	PART NUMBER	Q'TY	DESCRIPTION	REMARKS	NOTE1	NOTE2
1		20051-21100	1	CRANK CASE S COMP			
2	•	20051-21110	1	CRANK CASE S			
3	•	12900-62020	1	BEARING		6202,C3	
4	•	20010-21211	1	OIL SEAL			
5		20051-21200	1	CRANK CASE M COMP			
6	•	70012-21121	1	CRANK CASE M			
7	•	12900-62020	1	BEARING		6202,C3	
8	•	20010-21211	1	OIL SEAL			
9	•	12492-50100	4	ROLLER		φ5xL10	
10		01020-05300	4	BOLT		M5x30	
11		70012-31111	1	FAN COVER			
12		02006-06002	2	BEARING		6002DDU	
13		02432-32120	1	SNAP RING		32mm C	
14		20050-31210	1	CLUTCH DRUM			
15		20011-31230	1	SNAP RING			
16		11022-05200	2	BOLT SPW		M5x20	
17		11022-05350	2	BOLT SPW		M5x35	
18		70196-32110	1	CYLINDER COVER			
19		70196-32141	1	GASKET			
20		11020-05140	2	BOLT SW		M5x14	
21		70196-32150	2	WASHER			
22		70196-32160	2	COVER			
23		20051-35130	1	JOINT CASE			
24		20112-35200	1	PIN COMP			
25		11022-05200	4	BOLT SPW		M5x20	
26		20024-83152	1	CABLE HOLDER			

2. CRANKCASE, FANCOVER



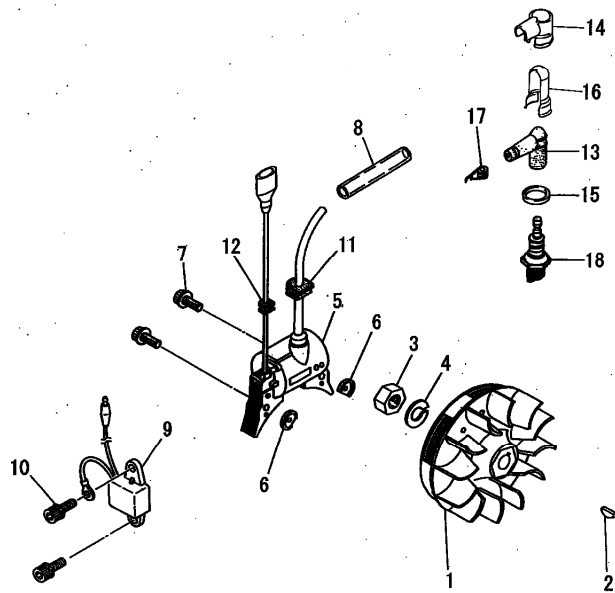
KEY	LV	PART NUMBER	Q'TY	DESCRIPTION	REMARKS	NOTE1	NOTE2
27		70056-83140	1	EARTH CORD B			
28		70112-31150	1	NAME PLATE			

### 3. PISTON, CRANKSHAFT, CLUTCH



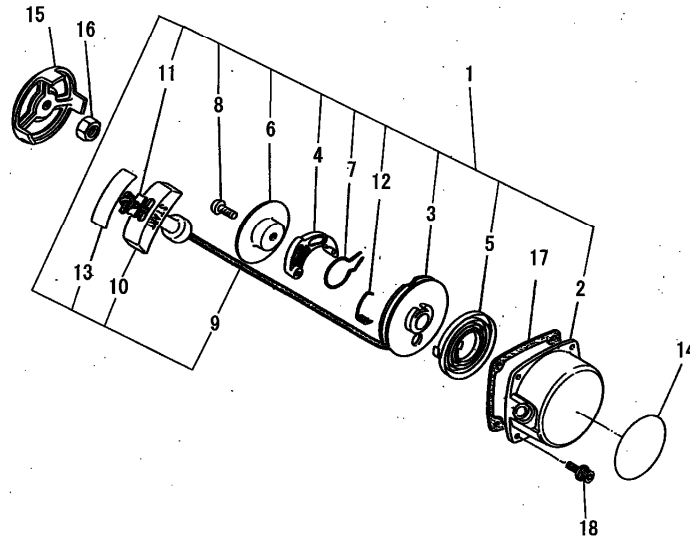
KEY	LV	PART NUMBER	Q'TY	DESCRIPTION	REMARKS	NOTE1	NOTE2
14		72080-98011	1	PISTON SET			
15	•	72080-98310	1	PISTON SET			
1	• •	20021-41113	1	PISTON			
6	• •	20021-41342	2	THRUST WASHER			
2	•	20021-41210	2	PISTON RING			
3	•	20021-41311	1	PISTON PIN			
4	•	22152-41231	2	SNAP RING			
5	•	20021-41330	1	BEARING SE			
13	•	20010-12121	1	GASKET CYLINDER			
7		20021-42002	1	CRANK SHAFT ASSY			
8		20050-51102	1	CLUTCH SHOE ASSY			
9	•	20050-51111	2	CLUTCH SHOE			
10	•	20050-51121	2	CLUTCH SPRING			
11		20010-51130	2	CLUTCH BOLT			
12		20010-51141	2	WASHER			

4. MAGNETO



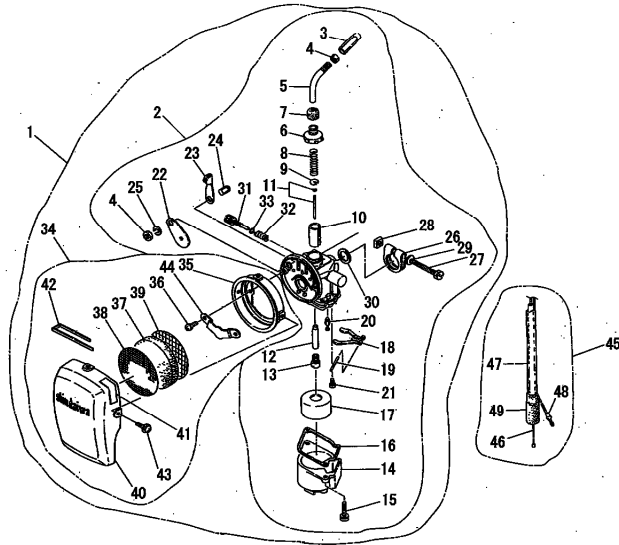
KEY	LV	PART NUMBER	Q'TY	DESCRIPTION	REMARKS	NOTE1	NOTE2
1		20010-71201	1	ROTOR			
2		02403-03100	1	KEY	3*10	3x10 A	
3		01511-10061	1	NUT		M10	
4		01600-10251	1	SPRING WASHER		10mm	
5		20011-71611	1	COIL			
6		20010-71631	2	SPACER COIL			
7		11024-04261	2	BOLT		M4x26-12.9	
8		20011-71660	1	TUBE			
9		72920-71711	1	UNIT			
10		11024-04120	2	BOLT SPW		M4x12	
11		20011-72110	1	GROMMET			
12		20011-72120	1	GROMMET			
13		20010-72221	1	PLUG CAP			
14		20000-72241	1	PLUG CAP COVER			
15		20000-72250	1	COVER BAND			
16		70180-72260	1	SHIELD			
17		20000-72230	1	SPRING SPARK PLUG			
18		13000-13406	1	SPARK PLUG BMR6A		BMR6A	

5. RECOIL STARTER



KEY	LV	PART NUMBER	Q'TY	DESCRIPTION	REMARKS	NOTE1	NOTE2
1		7002075900	1	RECOIL STARTER-SA			
2	•	70020-75110	1	STARTER CASE			
3	•	20020-75120	1	REEL			
4	•	20000-75130	1	RATCHET			
5	•	20020-75140	1	RECOIL SPRING			
6	•	20000-75150	1	PLATE FRICTION			
7	•	20000-75160	1	SPRING FRICTION			
8	•	20000-75170	1	SCREW			
9	•	20020-75180	1	ROPE			
10	•	20010-75190	1	STARTER KNOB			
11	•	20010-75210	1	STOPPER			
12	•	20000-75220	1	RETURN SPRING			
13	•	20010-75230	1	TAPE			
14		70020-75240	1	NAME PLATE			
15		70000-75230	1	STARTER PULLEY			
16		20000-76210	1	NUT			
17		20020-76111	1	GASKET STARTER			
18		11022-04160	4	BOLT SPW		M4x16	

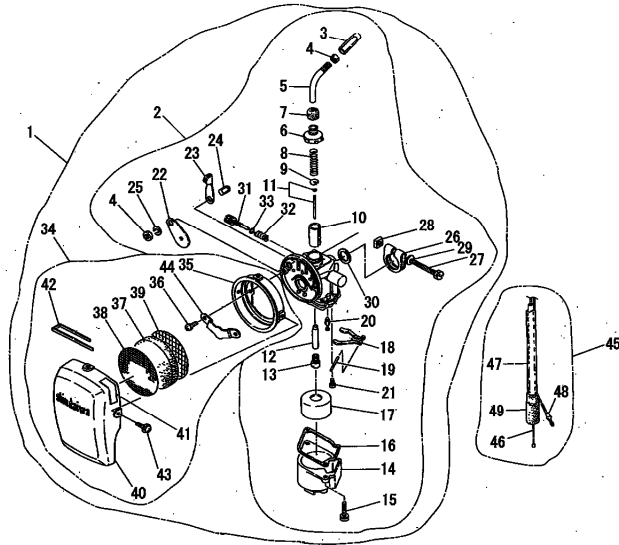
## 6. CARBURETOR, CLEANER



KEY	LV	PART NUMBER	Q'TY	DESCRIPTION	REMARKS	NOTE1	NOTE2
1		62106-81010	1	CARBURETOR ASSY			
2	•	62106-81310	1	CARBURETOR BODY ASSY			
3	• •	20055-81810	1	CABLE ADJUSTER			
4	• •	20000-81260	2	LOCK NUT			
5	• •	20055-81830	1	ADJUST PIPE			
6	• •	20055-81120	1	BODY CAP			
7	• •	20055-81130	1	CAP			
8	• •	20003-81140	1	THROTTLE SPRING			
9	• •	20000-81150	1	SPRING RECEIVE			
10	• •	70112-81180	1	THROTTLE VALVE			
11	• •	62106-81330	1	JET NEEDLE			
12	• •	20055-81232	1	NEEDLE JET			
13	• •	20045-81240	1	MAIN JET			
14	• •	20051-81311	1	FLOAT CHAMBER			
15	• •	20014-81320	2	SCREW			
16	• •	68503-81360	1	PACKING			
17	• •	20014-81340	1	FLOAT			
18	• •	20014-81350	1	FLOAT HINGE			
19	• •	20014-81360	1	HINGE PIN			
20	• •	20014-81381	1	NEEDLE VALVE			
21	• •	20014-81390	1	SCREW			
22	• •	20055-81410	1	CHOKE PLATE			
23	• •	20010-81420	1	CHOKE LEVER			
24	• •	20014-81430	1	CHOKE BOLT			
25	• •	20000-81250	1	SPRING WASHER			
26	• •	20014-81510	1	BAND			

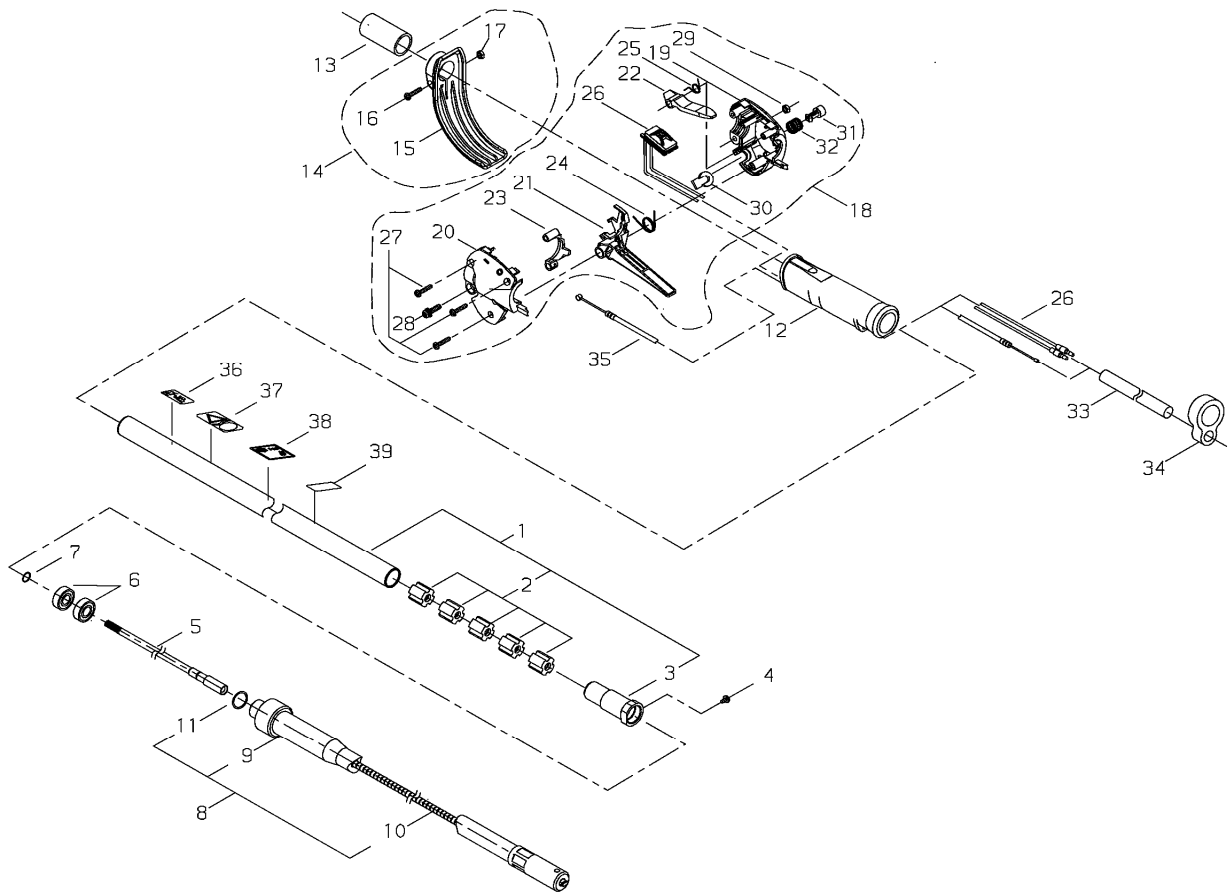


## 6. CARBURETOR, CLEANER



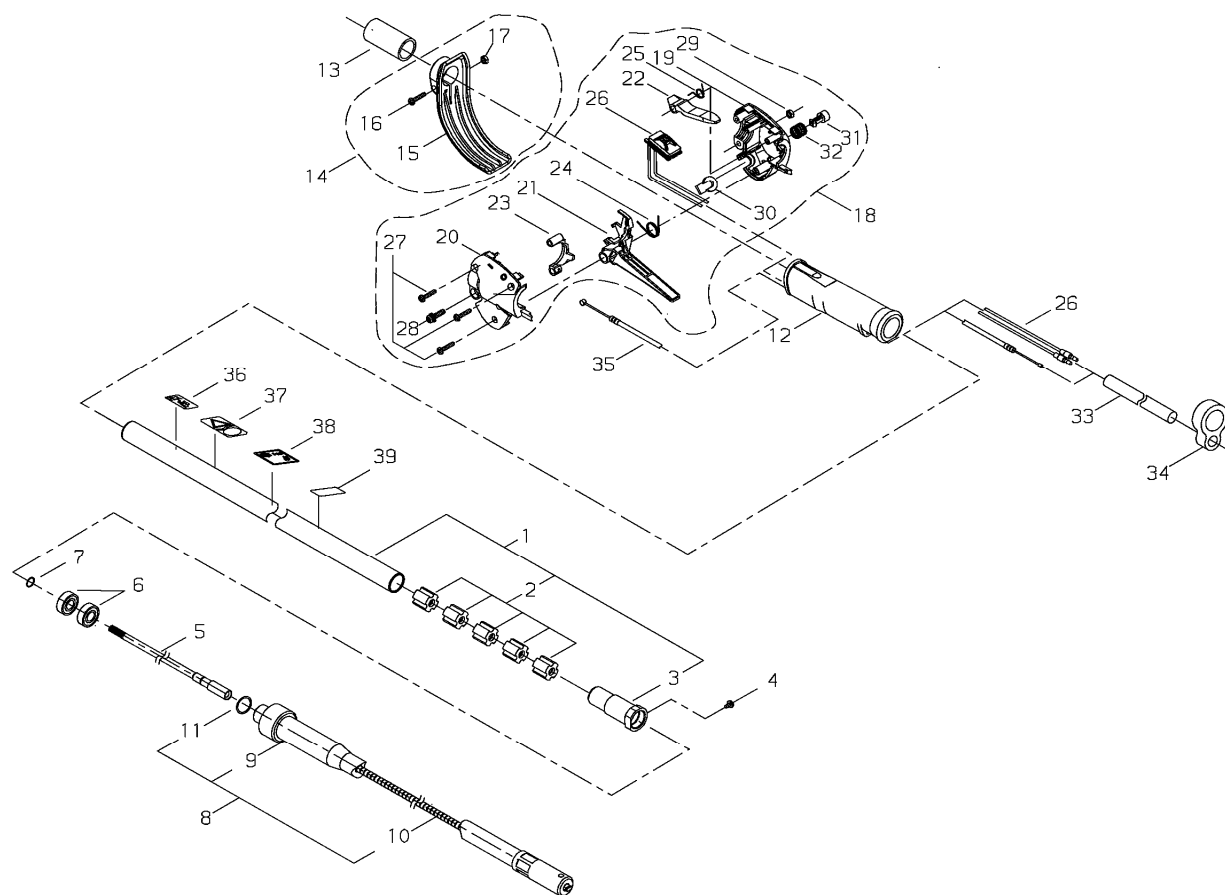
KEY	LV	PART NUMBER	Q'TY	DESCRIPTION	REMARKS	NOTE1	NOTE2
27	• •	20014-81521	1	BAND BOLT			
28	• •	20014-81530	1	NUT			
29	• •	20014-81540	1	WASHER			
30	• •	20010-81570	1	FLANGE PACKING			
31	• •	20014-81810	1	SLOW STOP SCREW			
32	• •	20010-81820	1	SPRING			
33	• •	20014-81830	1	O RING			
34	•	20051-81700	1	AIR CLEANER SUB ASSY			
35	• •	20010-81711	1	CLEANER BODY			
36	• •	20000-81730	2	SCREW			
37	• •	20000-81740	1	FILTER			
38	• •	20000-81750	1	NET A			
39	• •	20010-81760	1	NET B			
40	• •	20010-81771	1	CLEANER COVER			
41	• •	19404-00008	1	LABEL CHOKE			
42	• •	20010-81781	1	SPRING NET			
43	• •	20000-81735	3	SCREW			
44	• •	20014-81790	1	PLATE			
45		7019983101	1	THROTTLE CABLE-A			
46	•	70056-83200	1	THROTTLE CABLE B			
47	•	20020-83120	1	PIPE			
48	•	70056-83130	1	EARTH CORD A			
49	•	20005-83160	1	CABLE CAP			

7. OUTER PIPE



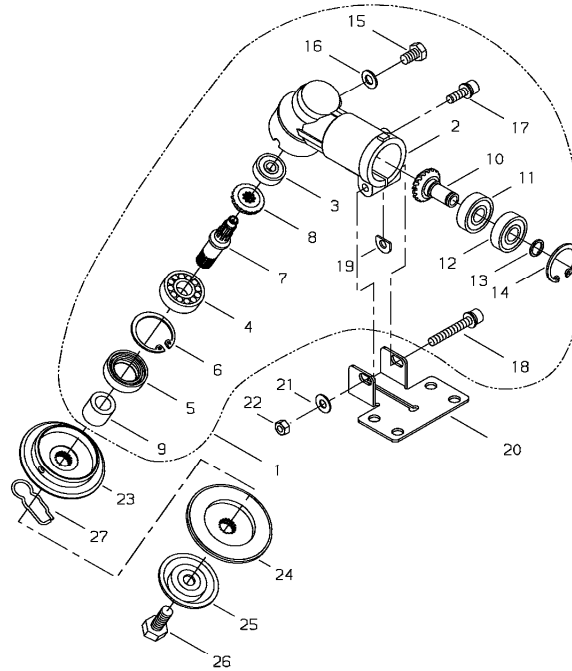
KEY	LV	PART NUMBER	Q'TY	DESCRIPTION	REMARKS	NOTE1	NOTE2
1		72517-12100	1	OUTER PIPE SUB ASSY			
2	▪	22000-12120	5	BUSHING			
3	▪	72517-12130	1	JOINT PIPE			
4		22056-12340	1	SCREW			
5		72517-12410	1	MAIN SHAFT			
6		02002-06900	2	BEARING		6900ZZ	
7		02430-10100	1	SNAP RING		10mm C	
8		72517-61010	1	FLEXIBLE ASSY			
9	▪	72517-61110	1	FLEXIBLE PIPE			
10	▪	72517-11121	1	FLEXIBLE SHAFT			
11	▪	22056-11140	1	O RING			
12		63043-62140	1	GRIP			
13		63000-62311	1	PROTECTOR			
14		72517-62331	1	GUARD ASSY			
15	▪	72517-62341	1	GUARD			
16	▪	11206-05250	1	SCREW PM SPW		M5x25	
17	▪	01500-05041	1	NUT	M5	M5	
18		72517-62310	1	THROTTLE LEVER ASSY			
19	▪	63000-62340	1	BODY RIGHT			
20	▪	63000-62350	1	BODY LEFT			
21	▪	63002-62340	1	LEVER			
22	▪	63901-62352	1	LOCK LEVER			
23	▪	63002-62350	1	HOLDER			
24	▪	63880-65350	1	COIL SPRING			
25	▪	63901-62370	1	COIL SPRING			
26	▪	72517-62350	1	SWITCH			

## 7. OUTER PIPE



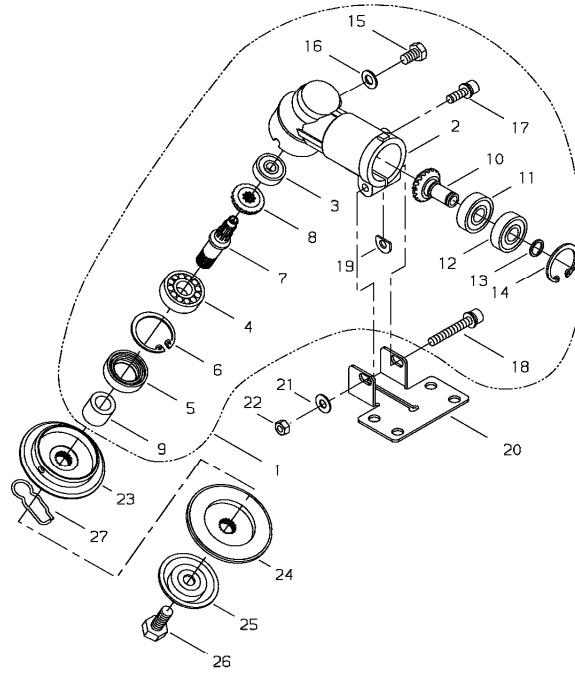
KEY	LV	PART NUMBER	Q'TY	DESCRIPTION	REMARKS	NOTE1	NOTE2
27	•	63880-65360	3	SCREW TAPPING			
28	•	11206-05201	1	SCREW PM SPW		M5x20	
29	•	01501-05030	1	NUT	M5	M5	
30	•	63880-65411	1	PLUG			
31	•	70871-65170	1	BUTTON			
32	•	70871-65180	1	COIL SPRING			
33		72517-62320	1	PIPE			
34		20079-83140	1	CABLE HOLDER			
35		72517-62170	1	THROTTLE CABLE			
36		19402-00223	1	LABEL CAUTION		MAX 8500MIN-1	
37		19422-00010	1	LABEL CAUTION			
38		19404-00035	1	LABEL DECIBEL		110dB(A)	
39		72017-12150	1	HANDLE LABEL			

8. GEAR CASE

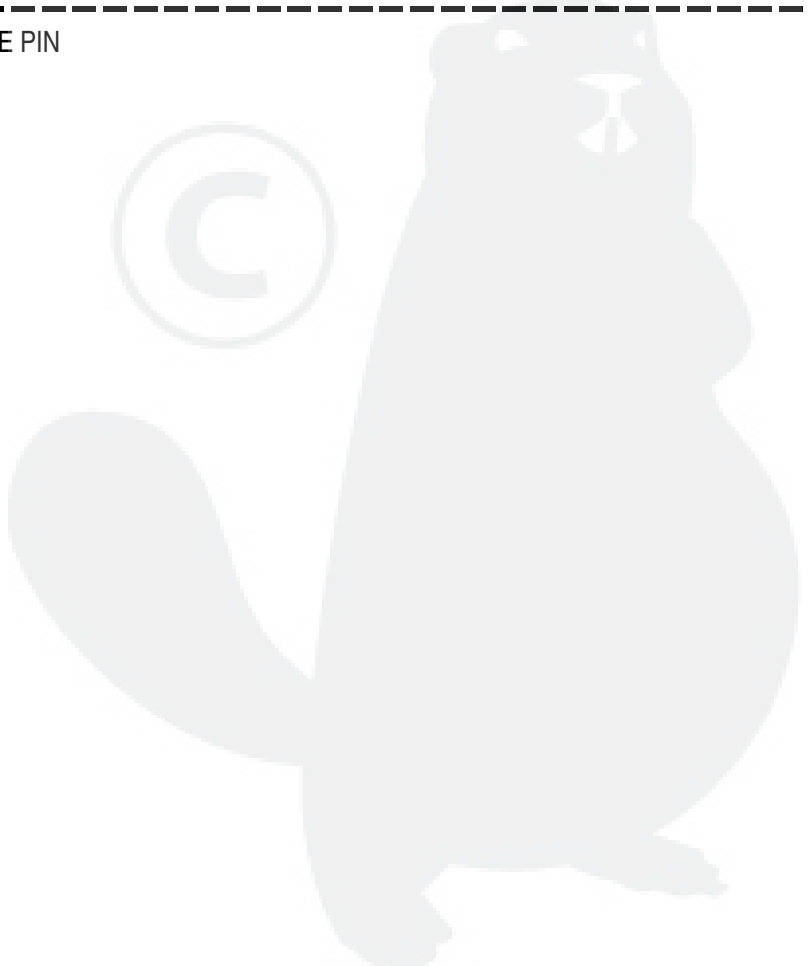
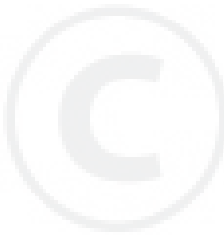


KEY	LV	PART NUMBER	Q'TY	DESCRIPTION	REMARKS	NOTE1	NOTE2
1		63000-63020	1	GEAR CASE COMP			
2	•	22024-13112	1	GEAR CASE			
3	•	02046-00609	1	BEARING			
4	•	02000-06201	1	BEARING			
5	•	22024-13121	1	OIL SEAL			
6	•	02432-32120	1	SNAP RING		32mm	
7	•	72435-13210	1	GEAR SHAFT			
8	•	22024-13220	1	BEVEL GEAR			
9	•	22000-13230	1	COLLAR			
10	•	22024-13391	1	PINION SET			
11	•	02000-06901	1	BEARING		6901ZZ	
12	•	02002-06901	1	BEARING			
13	•	20000-31140	1	SNAP RING			
14	•	02432-24120	1	SNAP RING			
15	•	22015-13410	1	BOLT			
16	•	22015-13420	1	GASKET			
17	•	11022-05160	1	BOLT SPW		M5*16	
18	•	11022-06400	1	BOLT SPW			
19	•	22011-13450	1	SHIM			
20		72441-16130	1	LOWER CLAMP			
21		01613-06100	1	WASHER			
22		01500-06051	1	NUT	M6	M6	
23		22024-13912	1	HOLDER A			
24		63000-63170	1	HOLDER			
25		22024-13291	1	BOLT GUARD			
26		22000-13512	1	BOLT			

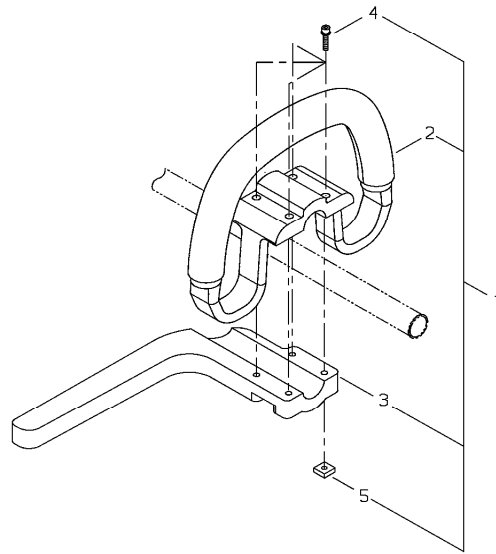
8. GEAR CASE



KEY	LV	PART NUMBER	Q'TY	DESCRIPTION	REMARKS	NOTE1	NOTE2
27		22000-13530	1	SLIDE PIN			

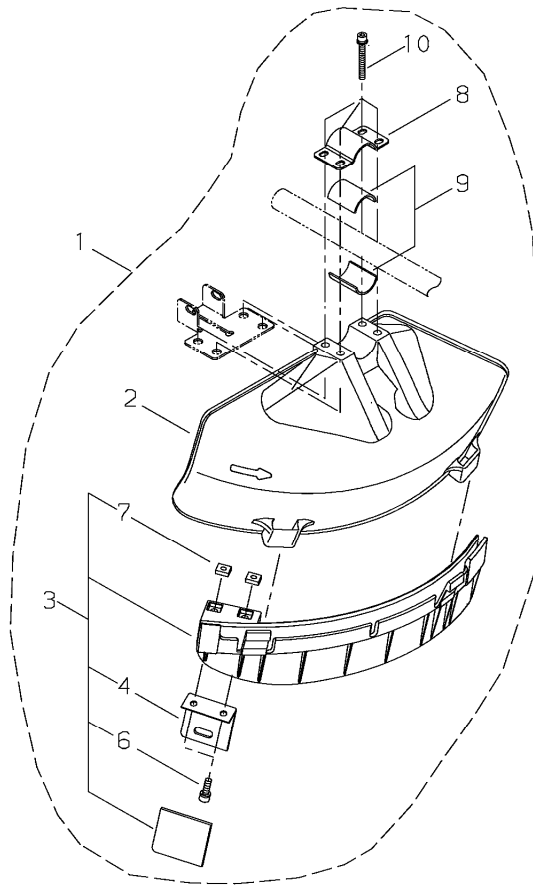


## 9. HANDLE



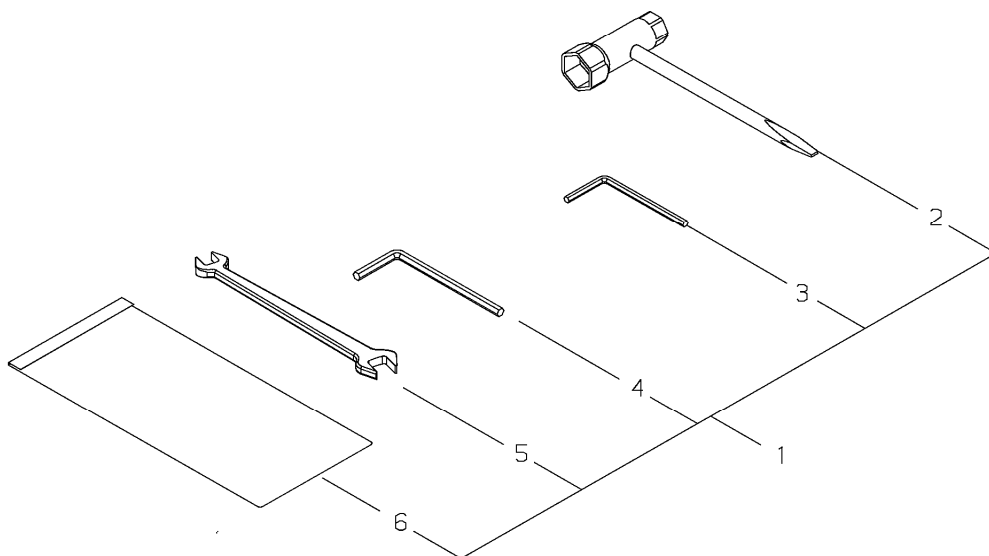
KEY	LV	PART NUMBER	Q'TY	DESCRIPTION	REMARKS	NOTE1	NOTE2
1		65011-64010	1	HANDLE ASSY			
2	•	62901-64112	1	HANDLE			
3	•	65011-64120	1	BARRIER			
4	•	11022-05350	4	BOLT SPW		M5*35 SPW	
5	•	22420-16120	4	NUT			

## 10. GUARD



KEY	LV	PART NUMBER	Q'TY	DESCRIPTION	REMARKS	NOTE1	NOTE2
1		64000-66311	1	GUARD SET			
2	•	62903-66111	1	GUARD			
3	•	62903-66332	1	SUB GUARD ASSY			
4	• •	72480-16121	1	CUTTER			
6	• •	11020-05160	2	BOLT SW		M5x16(SW)	
7	• •	22420-16120	2	NUT		M5	
8	•	72480-16210	1	UPPER CLAMP			
9	•	72441-16220	2	SPACER			
10	•	11022-05450	4	BOLT SPW		M5x45(SW,PW)	

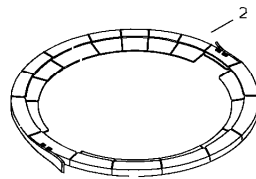
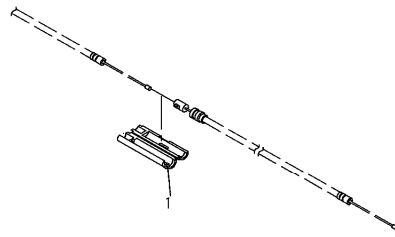
## 11. TOOL



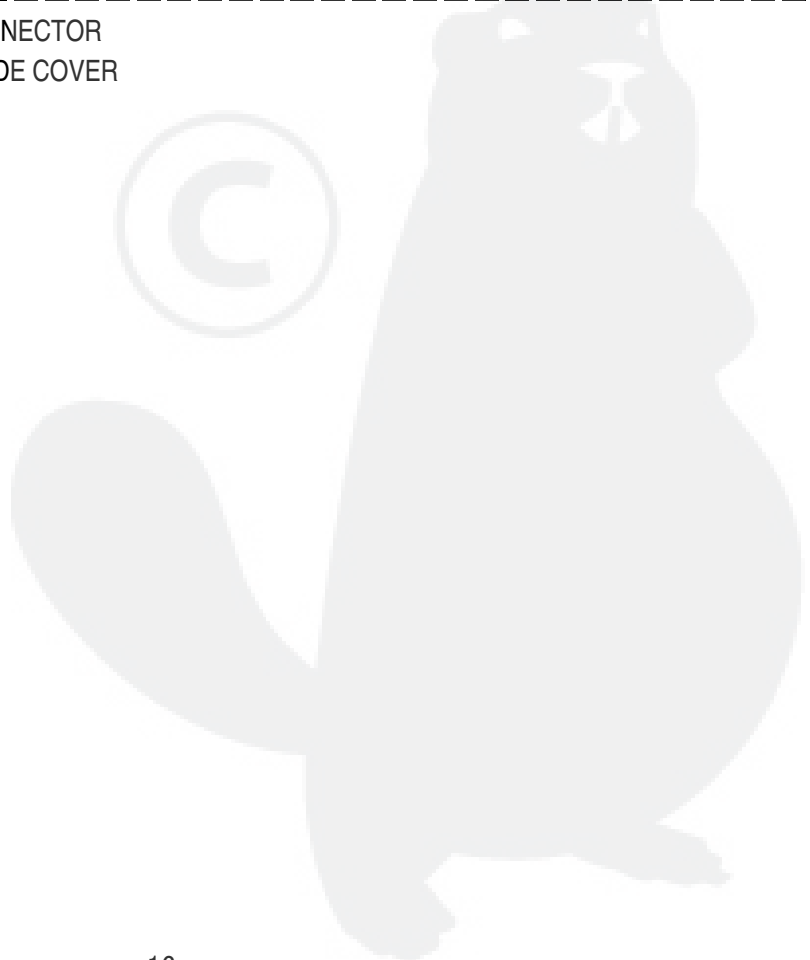
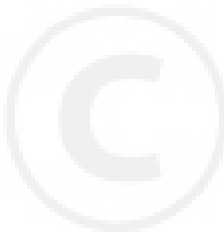
KEY	LV	PART NUMBER	Q'TY	DESCRIPTION	REMARKS	NOTE1	NOTE2
1		64100-92310	1	TOOL SET			
2	•	22000-91181	1	PLUG WRENCH			
3	•	09026-04001	1	HEXA WRENCH	4MM M5㉿	M5	
4	•	09026-05001	1	HEXA WRENCH 6MM		M6	
5	•	22000-91120	1	SPANNER			
6	•	19639-01400	1	BAG,PACKING	140*200*T0.08		



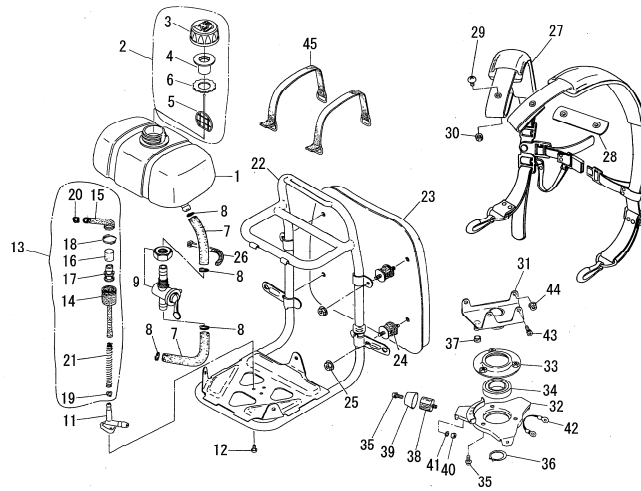
## 12. BLADE COVER



KEY	LV	PART NUMBER	Q'TY	DESCRIPTION	REMARKS	NOTE1	NOTE2
1		70056-83190	1	CONNECTOR			
2		22550-92310	1	BLADE COVER			

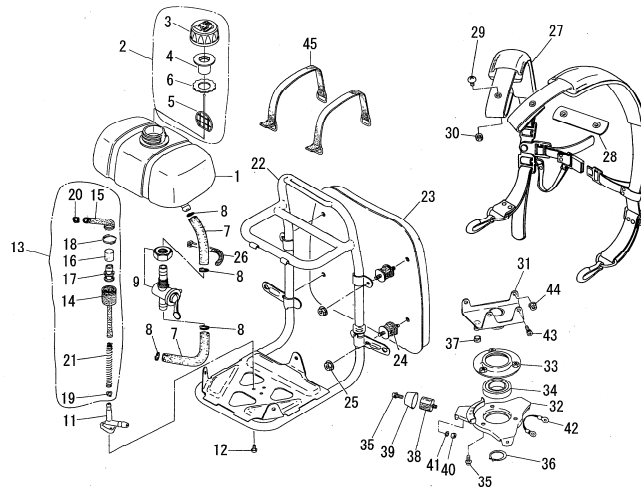


13. FRAME, PAD



KEY	LV	PART NUMBER	Q'TY	DESCRIPTION	REMARKS	NOTE1	NOTE2
1		20051-85110	1	FUEL TANK			
2		70199-85202	1	FUEL CAP ASSY			
3		20040-85211	1	FUEL CAP			
4		7019985241	1	INNER CAP			
5		6280035320	1	ANCHOR			
6		20040-85220	1	PACKING			
7		70051-85410	2	FUEL PIPE			
8		20051-85420	4	CLIP			
9		A036-000000	1	FUEL COCK ASSY			
11		20050-85461	1	ELBOW			
12		11202-40100	3	SCREW HILO 4X10		4x10	
13		70051-85502	1	FILTER SUB ASSY			
14	•	20051-85510	1	FUEL PIPE			
15	•	70051-85521	1	FUEL PIPE A			
16	•	20051-85540	1	FILTER A			
17	•	20051-85531	1	FILTER			
18	•	20050-85580	1	CLIP			
19	•	20050-85560	1	CLIP			
20	•	20051-85570	1	CLIP A			
21	•	20051-85590	1	SPRING			
22		20051-86112	1	FRAME			
23		20051-86120	1	PAD			
24		20051-86160	4	CUSHION 18K			
25		11526-05112	4	FLANGE NUT		M5	
26		20000-83150	1	CLAMP			
27		70199-86200	1	BAND ASSY			

13. FRAME, PAD



KEY	LV	PART NUMBER	Q'TY	DESCRIPTION	REMARKS	NOTE1	NOTE2
28		20051-86320	1	JOINT BAND			
29		01215-06140	2	SCREW TRUSS		M6x14	
30		22011-97840	2	LOCK NUT			
31		20050-87110	1	BRACKET A			
32		20050-87120	1	BRACKET B			
33		20050-87131	1	RETAINER			
34		02002-06005	1	BEARING		6005ZZ	
35		11206-05100	6	SCREW PM SPW		M5x10	
36		02430-25120	1	SNAP RING		25mm C	
37		20050-87150	1	STOP CUSHION			
38		20050-87160	3	CUSHION			
39		20050-87170	3	MOUNT HOLDER			
40		01500-05041	1	NUT	M5	M5	
41		01600-05131	1	SPRING WASHER		5mm	
42		20051-87210	1	EARTH CORD			
43		11020-05120	2	BOLT SW		M5x12	
44		11526-05112	4	FLANGE NUT		M5	
45		20020-86140	2	BAND			

**Index**

<b>Patrs Number</b>	<b>Key No.</b>	<b>Patrs Number</b>	<b>Key No.</b>	<b>Patrs Number</b>	<b>Key No.</b>
01020-05250	1 - 3	11206-05201	7 - 28	20010-81771	6 - 40
01020-05300	2 - 10	11206-05250	7 - 16	20010-81781	6 - 42
01020-06250	1 - 19	11526-05112	13 - 25	20010-81820	6 - 32
01215-06140	13 - 29	11526-05112	13 - 44	20011-31230	2 - 15
01500-04031	1 - 18	12492-50100	2 - 9	20011-71611	4 - 5
01500-05041	7 - 17	12900-62020	2 - 3	20011-71660	4 - 8
01500-05041	13 - 40	12900-62020	2 - 7	20011-72110	4 - 11
01500-06051	8 - 22	13000-13406	4 - 18	20011-72120	4 - 12
01501-05030	7 - 29	19402-00223	7 - 36	20014-81320	6 - 15
01511-10061	4 - 3	19404-00008	6 - 41	20014-81340	6 - 17
01600-05131	1 - 4	19404-00035	7 - 38	20014-81350	6 - 18
01600-05131	13 - 41	19422-00010	7 - 37	20014-81360	6 - 19
01600-10251	4 - 4	19639-01400	11 - 6	20014-81381	6 - 20
01613-06100	8 - 21	20000-31140	8 - 13	20014-81390	6 - 21
02000-06201	8 - 4	20000-72230	4 - 17	20014-81430	6 - 24
02000-06901	8 - 11	20000-72241	4 - 14	20014-81510	6 - 26
02002-06005	13 - 34	20000-72250	4 - 15	20014-81521	6 - 27
02002-06900	7 - 6	20000-75130	5 - 4	20014-81530	6 - 28
02002-06901	8 - 12	20000-75150	5 - 6	20014-81540	6 - 29
02006-06002	2 - 12	20000-75160	5 - 7	20014-81790	6 - 44
02046-00609	8 - 3	20000-75170	5 - 8	20014-81810	6 - 31
02403-03100	4 - 2	20000-75220	5 - 12	20014-81830	6 - 33
02430-10100	7 - 7	20000-76210	5 - 16	20020-75120	5 - 3
02430-25120	13 - 36	20000-81150	6 - 9	20020-75140	5 - 5
02432-24120	8 - 14	20000-81250	6 - 25	20020-75180	5 - 9
02432-32120	2 - 13	20000-81260	6 - 4	20020-76111	5 - 17
02432-32120	8 - 6	20000-81730	6 - 36	20020-83120	6 - 47
09026-04001	11 - 3	20000-81735	6 - 43	20020-86140	13 - 45
09026-05001	11 - 4	20000-81740	6 - 37	20021-41113	3 - 1
11020-05100	1 - 13	20000-81750	6 - 38	20021-41210	3 - 2
11020-05120	13 - 43	20000-83150	13 - 26	20021-41311	3 - 3
11020-05140	2 - 20	20003-81140	6 - 8	20021-41330	3 - 5
11020-05160	10 - 6	20005-83160	6 - 49	20021-41342	3 - 6
11022-04160	5 - 18	20010-12121	1 - 2	20021-42002	3 - 7
11022-05160	8 - 17	20010-12121	3 - 13	20024-83152	2 - 26
11022-05200	2 - 16	20010-21211	2 - 4	20040-85211	13 - 3
11022-05200	2 - 25	20010-21211	2 - 8	20040-85220	13 - 6
11022-05250	1 - 8	20010-51130	3 - 11	20045-81240	6 - 13
11022-05350	2 - 17	20010-51141	3 - 12	20050-15410	1 - 16
11022-05350	9 - 4	20010-71201	4 - 1	20050-31210	2 - 14
11022-05450	10 - 10	20010-71631	4 - 6	20050-51102	3 - 8
11022-06400	8 - 18	20010-72221	4 - 13	20050-51111	3 - 9
11024-04120	4 - 10	20010-75190	5 - 10	20050-51121	3 - 10
11024-04261	4 - 7	20010-75210	5 - 11	20050-85461	13 - 11
11024-05100	1 - 12	20010-75230	5 - 13	20050-85560	13 - 19
11024-05120	1 - 20	20010-81420	6 - 23	20050-85580	13 - 18
11202-40100	13 - 12	20010-81570	6 - 30	20050-87110	13 - 31
11203-04100	1 - 17	20010-81711	6 - 35	20050-87120	13 - 32
11206-05100	13 - 35	20010-81760	6 - 39	20050-87131	13 - 33

**Index**

<b>Patrs Number</b>	<b>Key No.</b>	<b>Patrs Number</b>	<b>Key No.</b>	<b>Patrs Number</b>	<b>Key No.</b>
20050-87150	13 - 37	22056-12340	7 - 4	70196-32150	2 - 21
20050-87160	13 - 38	22152-41231	3 - 4	70196-32160	1 - 14
20050-87170	13 - 39	22420-16120	9 - 5	70196-32160	2 - 22
20051-12211	1 - 5	22420-16120	10 - 7	70198-12110	1 - 1
20051-12221	1 - 6	22550-92310	12 - 2	70199-15110	1 - 9
20051-12230	1 - 7	62106-81010	6 - 1	70199-15312	1 - 11
20051-21100	2 - 1	62106-81310	6 - 2	7019983101	6 - 45
20051-21110	2 - 2	62106-81330	6 - 11	70199-85202	13 - 2
20051-21200	2 - 5	6280035320	13 - 5	7019985241	13 - 4
20051-35130	2 - 23	62901-64112	9 - 2	70199-86200	13 - 27
20051-81311	6 - 14	62903-66111	10 - 2	70210-15212	1 - 10
20051-81700	6 - 34	62903-66332	10 - 3	70871-65170	7 - 31
20051-85110	13 - 1	63000-62311	7 - 13	70871-65180	7 - 32
20051-85420	13 - 8	63000-62340	7 - 19	72017-12150	7 - 39
20051-85510	13 - 14	63000-62350	7 - 20	72080-98011	3 - 14
20051-85531	13 - 17	63000-63020	8 - 1	72080-98310	3 - 15
20051-85540	13 - 16	63000-63170	8 - 24	72435-13210	8 - 7
20051-85570	13 - 20	63002-62340	7 - 21	72441-16130	8 - 20
20051-85590	13 - 21	63002-62350	7 - 23	72441-16220	10 - 9
20051-86112	13 - 22	63043-62140	7 - 12	72480-16121	10 - 4
20051-86120	13 - 23	63880-65350	7 - 24	72480-16210	10 - 8
20051-86160	13 - 24	63880-65360	7 - 27	72517-11121	7 - 10
20051-86320	13 - 28	63880-65411	7 - 30	72517-12100	7 - 1
20051-87210	13 - 42	63901-62352	7 - 22	72517-12130	7 - 3
20055-81120	6 - 6	63901-62370	7 - 25	72517-12410	7 - 5
20055-81130	6 - 7	64000-66311	10 - 1	72517-61010	7 - 8
20055-81232	6 - 12	64100-92310	11 - 1	72517-61110	7 - 9
20055-81410	6 - 22	65011-64010	9 - 1	72517-62170	7 - 35
20055-81810	6 - 3	65011-64120	9 - 3	72517-62310	7 - 18
20055-81830	6 - 5	68503-81360	6 - 16	72517-62320	7 - 33
20079-83140	7 - 34	70000-75230	5 - 15	72517-62331	7 - 14
20112-35200	2 - 24	70012-21121	2 - 6	72517-62341	7 - 15
22000-12120	7 - 2	70012-31111	2 - 11	72517-62350	7 - 26
22000-13230	8 - 9	70020-75110	5 - 2	72920-71711	4 - 9
22000-13512	8 - 26	70020-75240	5 - 14	A036-000000	13 - 9
22000-13530	8 - 27	7002075900	5 - 1		
22000-91120	11 - 5	70051-85410	13 - 7		
22000-91181	11 - 2	70051-85502	13 - 13		
22011-13450	8 - 19	70051-85521	13 - 15		
22011-97840	13 - 30	70056-83130	6 - 48		
22015-13410	8 - 15	70056-83140	2 - 27		
22015-13420	8 - 16	70056-83190	12 - 1		
22024-13112	8 - 2	70056-83200	6 - 46		
22024-13121	8 - 5	70112-31150	2 - 28		
22024-13220	8 - 8	70112-81180	6 - 10		
22024-13291	8 - 25	70180-72260	4 - 16		
22024-13391	8 - 10	70196-32110	2 - 18		
22024-13912	8 - 23	70196-32141	2 - 19		
22056-11140	7 - 11	70196-32150	1 - 15		

# YAMABIKO CORPORATION

7-2 SUEHIROCHO 1-CHOME, OHME, TOKYO 198-8760, JAPAN  
PHONE: 81-428-32-6118. FAX: 81-428-32-6145.

**shindaiwa<sup>®</sup>**



EC1  
No.