

shindaiwa[®]

PARTS CATALOG

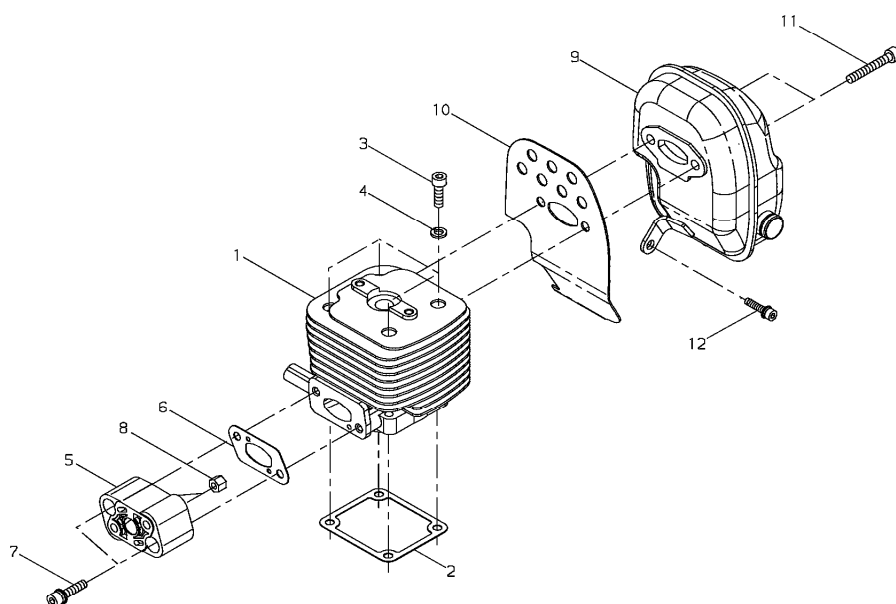
BRUSHCUTTER

B450 EC1



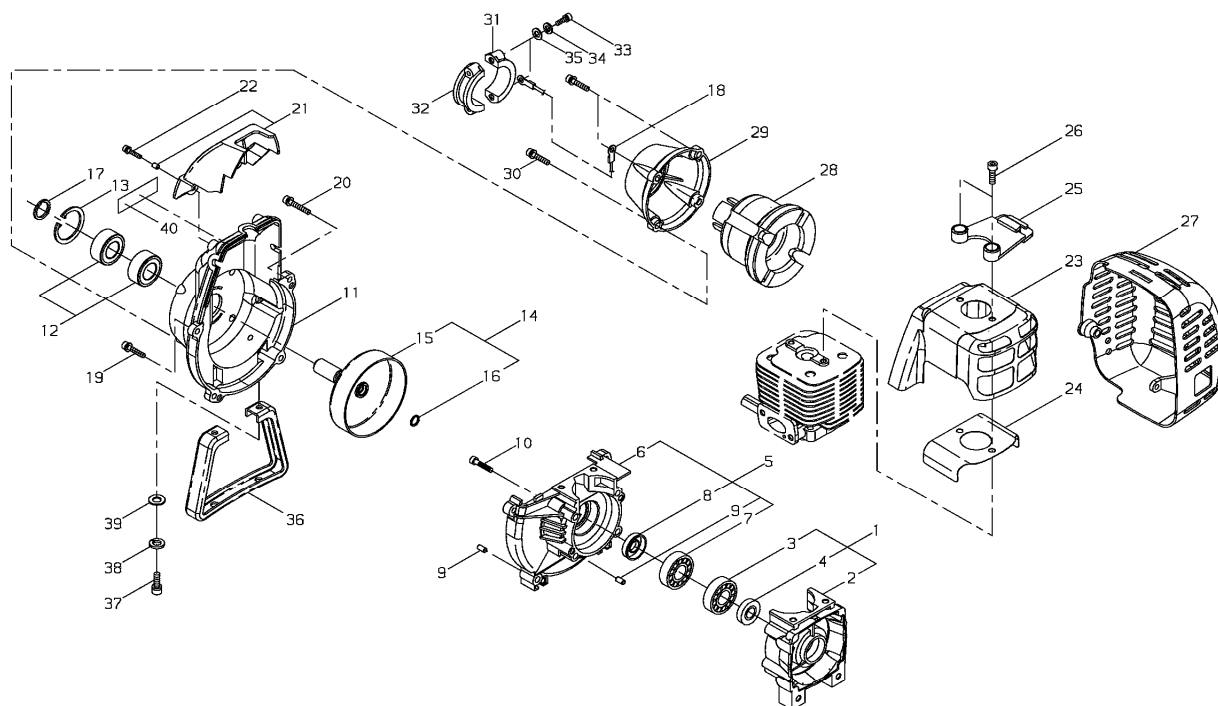
B450 EC1

1. CYLINDER, MUFFLER



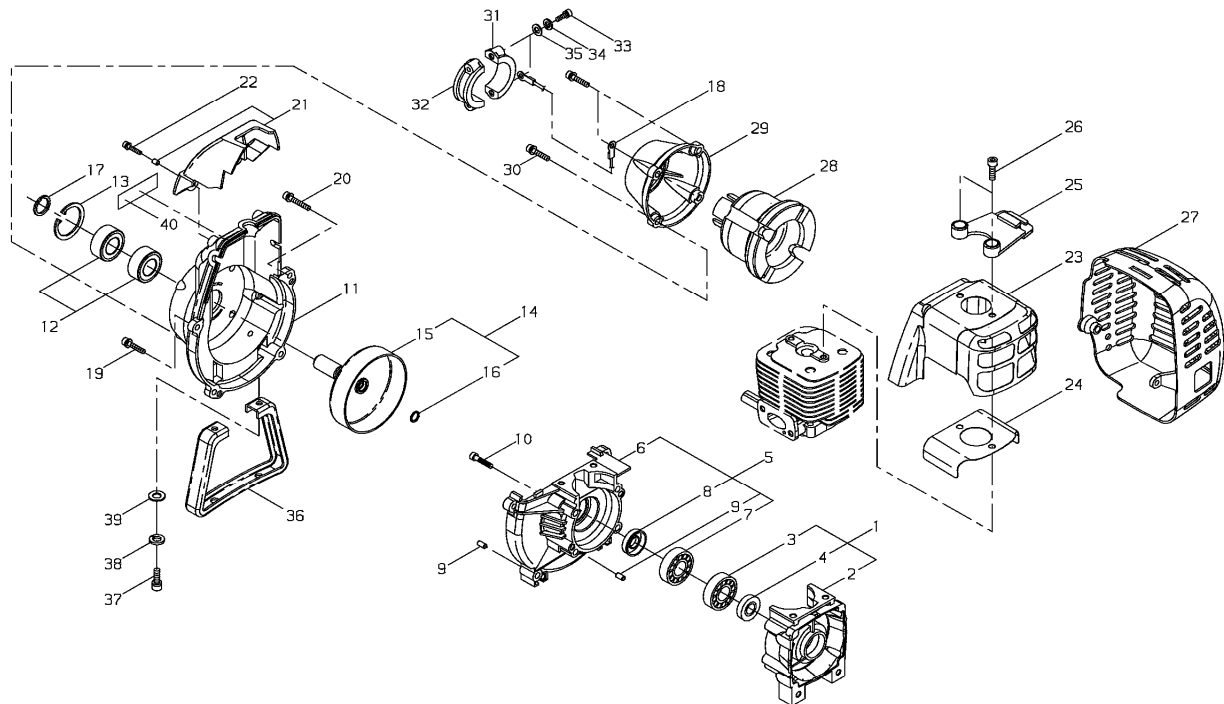
| KEY | LV | PART NUMBER | Q'TY | DESCRIPTION | REMARKS | NOTE1 | NOTE2 |
|-----|----|-------------|------|-----------------|---------|-------|-------|
| 1 | | 70210-12111 | 1 | CYLINDER | | | |
| 2 | | 20010-12121 | 1 | GASKET CYLINDER | | | |
| 3 | | 01020-05250 | 4 | BOLT | | M5x25 | |
| 4 | | 01600-05131 | 4 | SPRING WASHER | | 5mm | |
| 5 | | 20060-12210 | 1 | INSULATOR | | | |
| 6 | | 20011-12221 | 1 | GASKET | | | |
| 7 | | 11022-05250 | 2 | BOLT SPW | | M5x25 | |
| 8 | | 20024-12260 | 2 | NUT | | | |
| 9 | | 62104-15110 | 1 | MUFFLER | | | |
| 10 | | 62104-15210 | 1 | GASKET | | | |
| 11 | | 01020-06250 | 2 | BOLT | | M6x25 | |
| 12 | | 11024-05120 | 1 | BOLT SLPW | | M5x12 | |

2. CRANKCASE



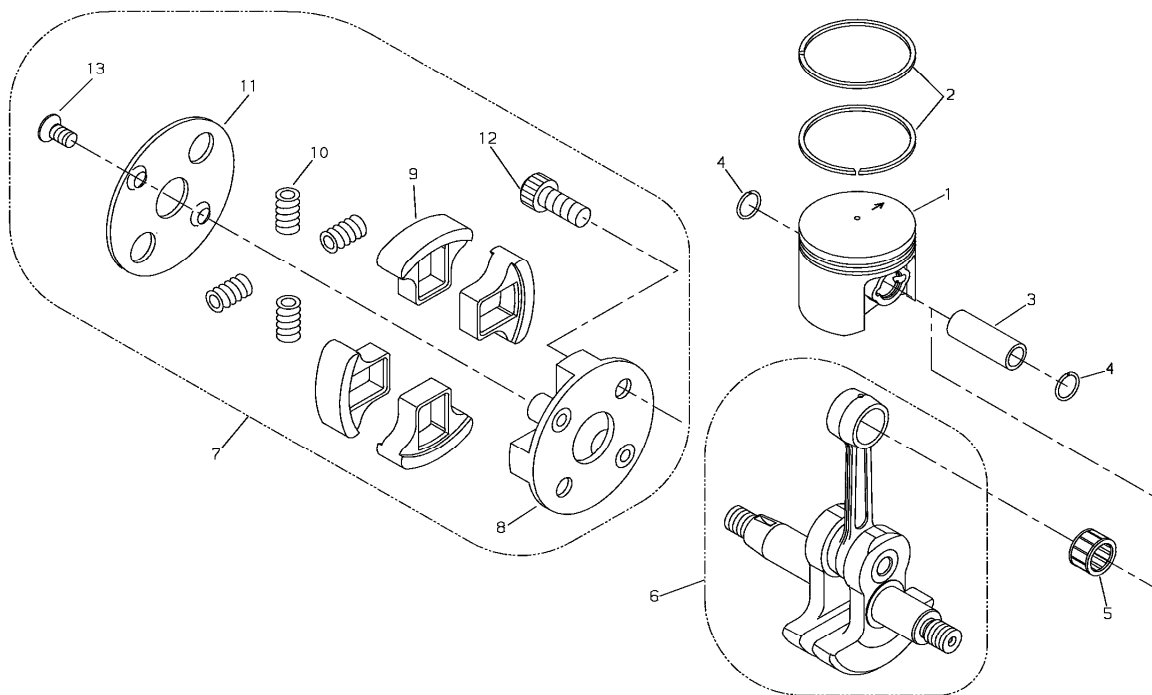
| KEY | LV | PART NUMBER | Q'TY | DESCRIPTION | REMARKS | NOTE1 | NOTE2 |
|-----|----|-------------|------|-------------------|---------|---------|-------|
| 1 | | 72935-21101 | 1 | CRANK CASE S COMP | | | |
| 2 | ▪ | 72935-21111 | 1 | CRANK CASE S | | | |
| 3 | ▪ | 12900-62020 | 1 | BEARING | | 6202,C3 | |
| 4 | ▪ | 20010-21211 | 1 | OIL SEAL | | | |
| 5 | | 70062-21200 | 1 | CRANK CASE M COMP | | | |
| 6 | ▪ | 72921-21121 | 1 | CRANK CASE M | | | |
| 7 | ▪ | 12900-62020 | 1 | BEARING | | 6202,C3 | |
| 8 | ▪ | 20010-21211 | 1 | OIL SEAL | | | |
| 9 | ▪ | 12492-50100 | 4 | ROLLER | | φ5xL10 | |
| 10 | | 01020-05300 | 4 | BOLT | | M5x30 | |
| 11 | | 70012-31111 | 1 | FAN COVER | | | |
| 12 | | 02006-06002 | 2 | BEARING | | 6002DDU | |
| 13 | | 02432-32120 | 1 | SNAP RING | | 32mm C | |
| 14 | | 20021-31200 | 1 | CLUTCH DRUM SET | | | |
| 15 | | 20021-31210 | 1 | CLUTCH DRUM | | | |
| 16 | | 20021-31220 | 1 | SNAP RING | | | |
| 17 | | 20011-31230 | 1 | SNAP RING | | | |
| 18 | | 70192-31510 | 1 | EARTH CORD | | | |
| 19 | | 11022-05200 | 3 | BOLT SPW | | M5x20 | |
| 20 | | 11022-05300 | 1 | BOLT SW | | M5x30 | |
| 21 | | 70131-34100 | 1 | PROTECTOR COMP | | | |
| 22 | | 11024-04160 | 2 | BOLT SLPW | | M4x16 | |
| 23 | | 70210-32111 | 1 | CYLINDER COVER | | | |
| 24 | | 70196-32141 | 1 | GASKET | | | |
| 25 | | 11022-05180 | 2 | BOLT SPW | | M5x18 | |
| 26 | | 62104-32310 | 1 | STAY | | | |

2. CRANKCASE



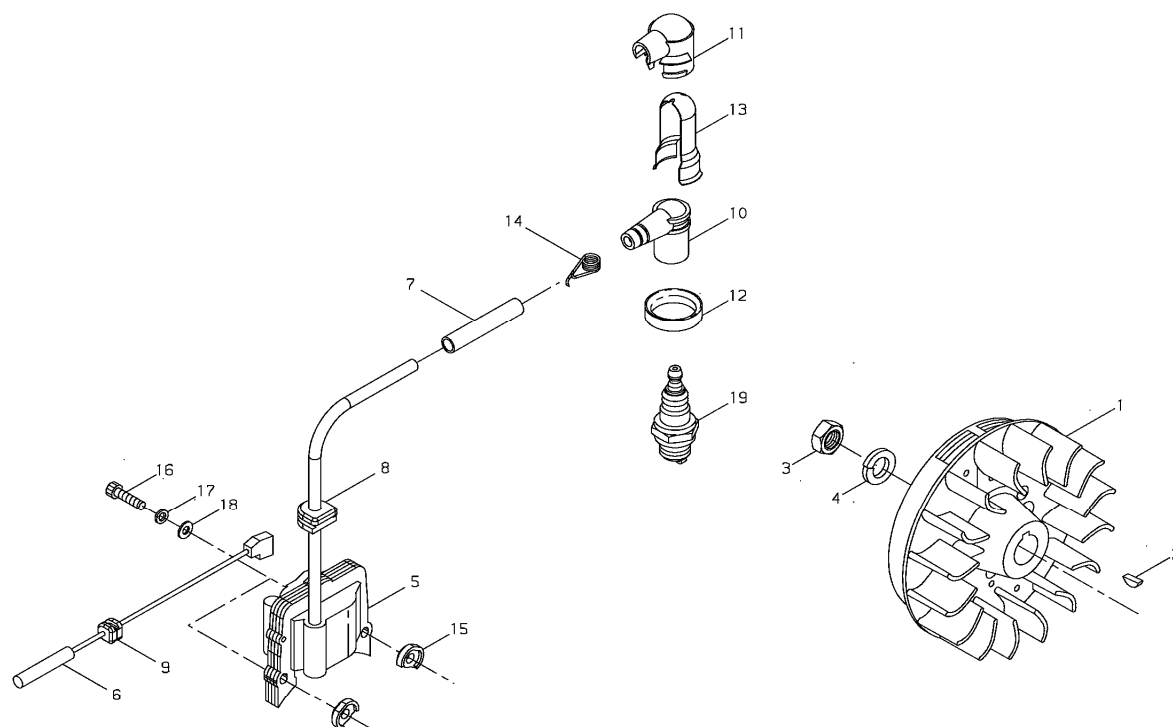
| KEY | LV | PART NUMBER | Q'TY | DESCRIPTION | REMARKS | NOTE1 | NOTE2 |
|-----|----|-------------|------|---------------|---------|-------|-------|
| 27 | | 62104-32321 | 1 | MUFFLER COVER | | | |
| 28 | | 20011-35110 | 1 | JOINT | | | |
| 29 | | 70012-35130 | 1 | CAP JOINT | | | |
| 30 | | 11022-05200 | 4 | BOLT SPW | | M5x20 | |
| 31 | | 20011-35141 | 1 | CLAMP A | | | |
| 32 | | 20011-35151 | 1 | CLAMP B | | | |
| 33 | | 01020-05250 | 2 | BOLT | | M5x25 | |
| 34 | | 01600-05131 | 2 | SPRING WASHER | | 5mm | |
| 35 | | 01610-05080 | 2 | WASHER | | 5mm | |
| 36 | | 70200-33112 | 1 | STAND | | | |
| 37 | | 70210-33120 | 2 | BOLT | | | |
| 38 | | 01600-05131 | 2 | SPRING WASHER | | 5mm | |
| 39 | | 01613-05080 | 2 | WASHER | | 5mm | |
| 40 | | 70210-31150 | 1 | LABEL TRADE | | | |

3. PISTON, CRANKSHAFT, CLUTCH



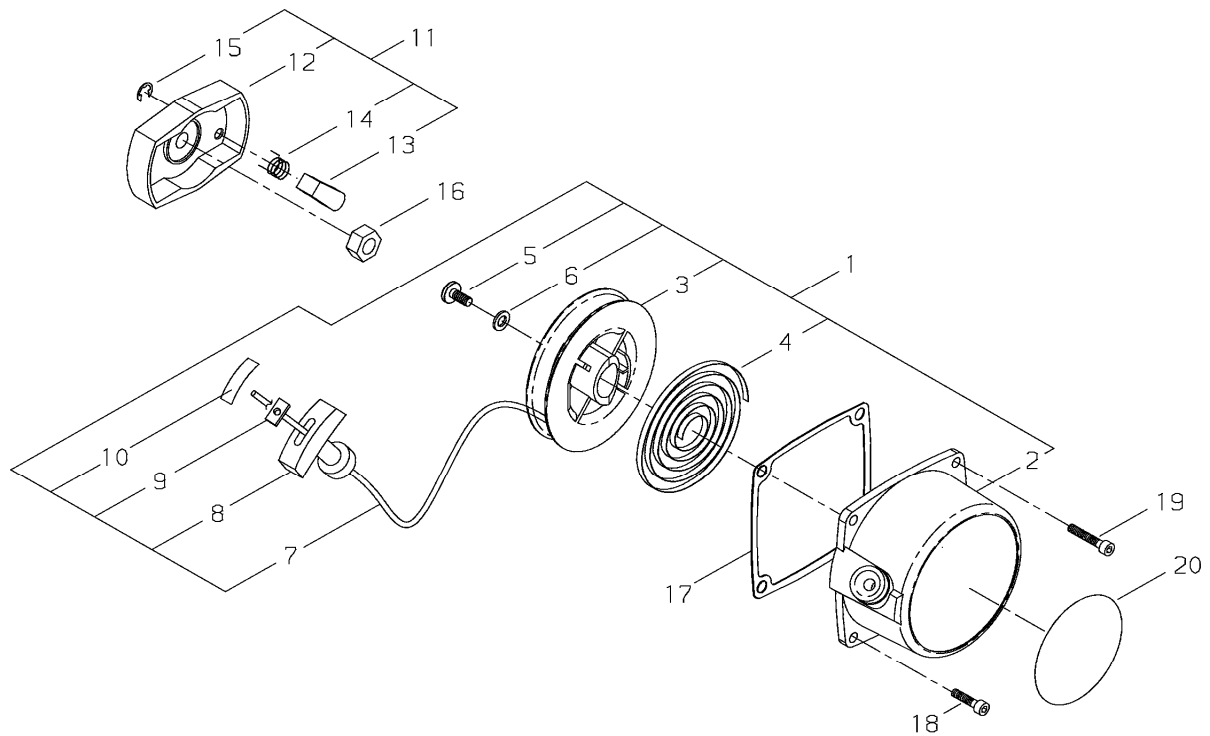
| KEY | LV | PART NUMBER | Q'TY | DESCRIPTION | REMARKS | NOTE1 | NOTE2 |
|-----|----|-------------|------|------------------|---------|-------|-------|
| 1 | | 70210-41110 | 1 | PISTON | | | |
| 2 | | 22182-41210 | 2 | PISTON RING | | | |
| 3 | | 22160-41220 | 1 | PISTON PIN | | | |
| 4 | | 22100-41230 | 2 | SNAP RING | | | |
| 5 | | 22160-41240 | 1 | BEARING | | | |
| 6 | | 70210-42001 | 1 | CRANK SHAFT ASSY | | | |
| 7 | | 70210-51100 | 1 | CLUTCH SHOE ASSY | | | |
| 8 | • | 20020-51112 | 1 | CLUTCH BOSS | | | |
| 9 | • | 20020-51121 | 4 | CLUTCH SHOE | | | |
| 10 | • | 20020-51131 | 4 | SPRING | | | |
| 11 | • | 20020-51140 | 1 | PLATE | | | |
| 12 | • | 20020-51150 | 2 | CLUTCH BOLT | | | |
| 13 | • | 70210-51160 | 2 | SCREW FLAT | | | |

4. MAGNETO



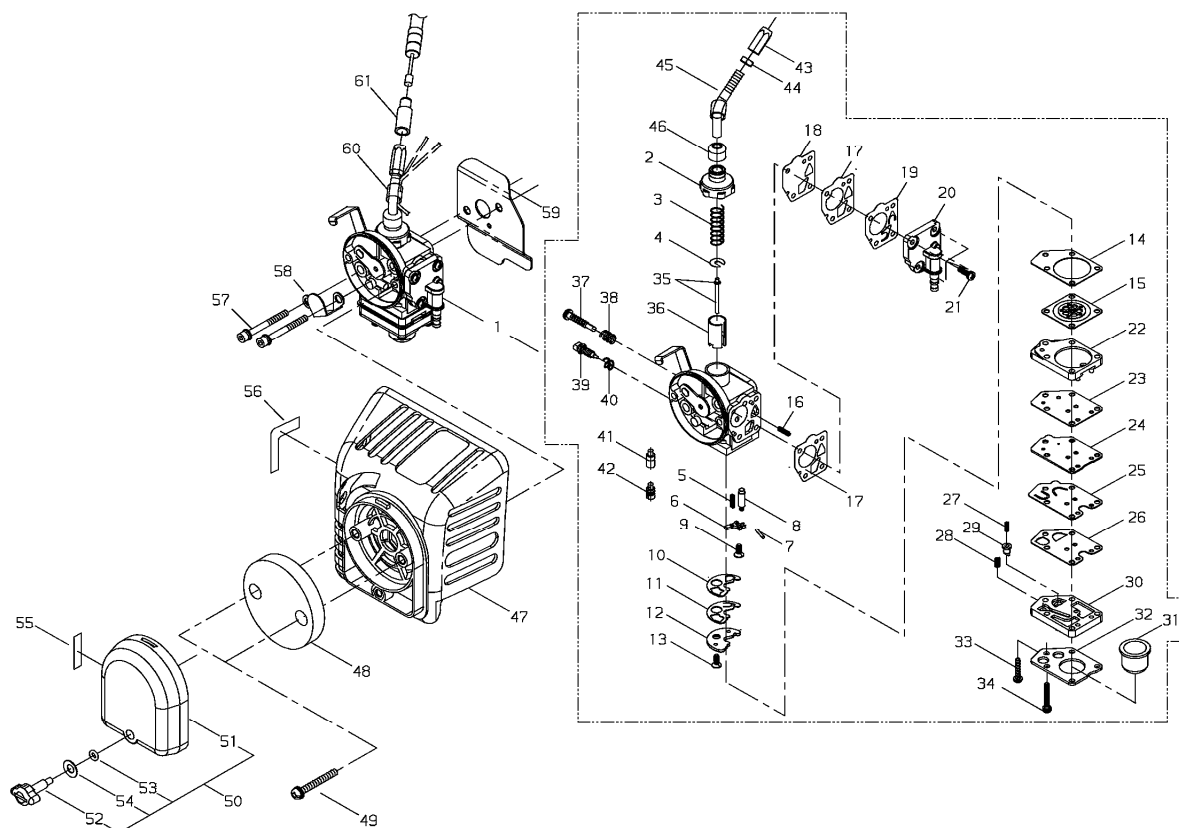
| KEY | LV | PART NUMBER | Q'TY | DESCRIPTION | REMARKS | NOTE1 | NOTE2 |
|-----|----|-------------|------|-------------------|---------|--------|-------|
| 1 | | 70200-71200 | 1 | ROTOR | | | |
| 2 | | 02403-03100 | 1 | KEY | 3*10 | 3x10 A | |
| 3 | | 01511-10061 | 1 | NUT | | M10 | |
| 4 | | 01600-10251 | 1 | SPRING WASHER | | 10mm | |
| 5 | | 70200-71610 | 1 | COIL | | | |
| 6 | | 70200-71640 | 1 | CORD | | | |
| 7 | | 20011-71660 | 1 | TUBE | | | |
| 8 | | 20011-72110 | 1 | GROMMET | | | |
| 9 | | 20011-72120 | 1 | GROMMET | | | |
| 10 | | 20010-72221 | 1 | PLUG CAP | | | |
| 11 | | 20000-72241 | 1 | PLUG CAP COVER | | | |
| 12 | | 20000-72250 | 1 | COVER BAND | | | |
| 13 | | 70180-72260 | 1 | SHIELD | | | |
| 14 | | 20000-72230 | 1 | SPRING SPARK PLUG | | | |
| 15 | | 20010-71631 | 2 | SPACER COIL | | | |
| 16 | | 01020-04240 | 2 | BOLT | | M4x24 | |
| 17 | | 01600-04101 | 2 | SPRING WASHER | | 4mm | |
| 18 | | 20010-71650 | 2 | WASHER | | | |
| 19 | | 13000-13406 | 1 | SPARK PLUG BMR6A | | BMR6A | |

5. RECOIL STARTER



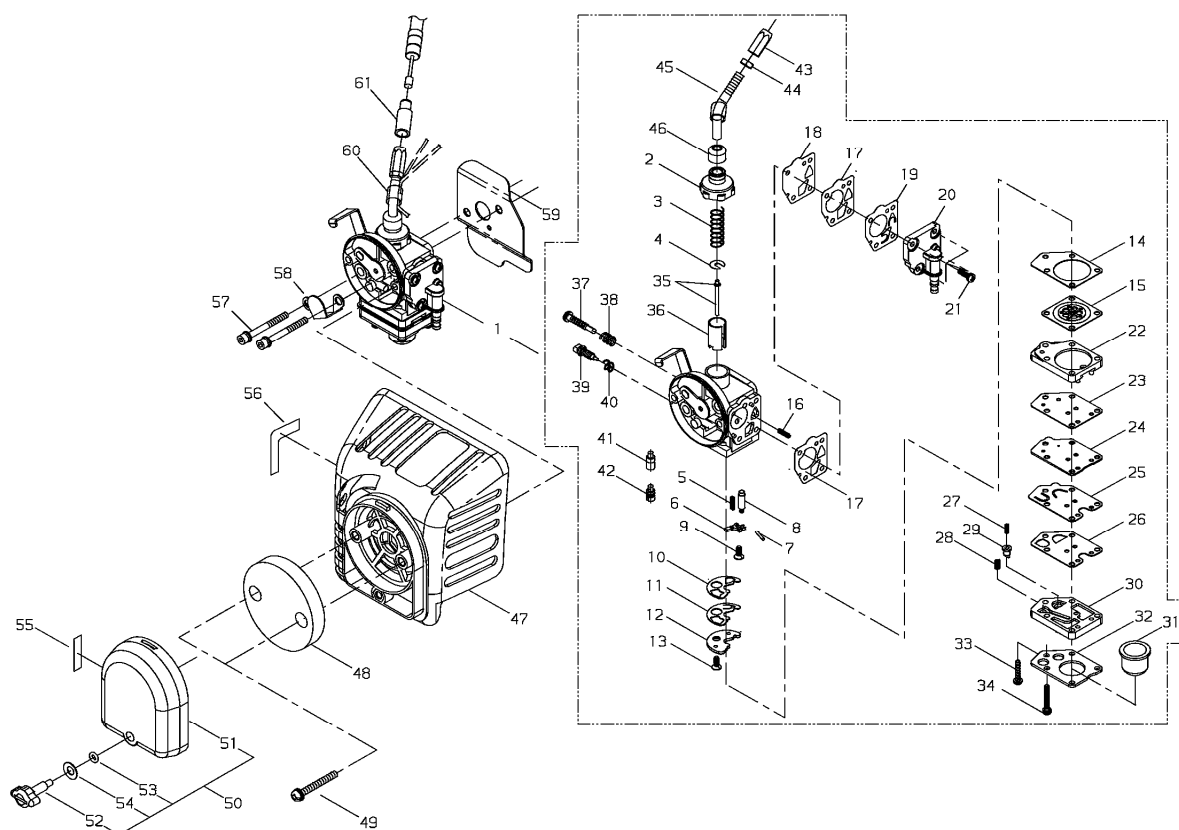
| KEY | LV | PART NUMBER | Q'TY | DESCRIPTION | REMARKS | NOTE1 | NOTE2 |
|-----|----|-------------|------|--------------------|---------|-------|-------|
| 1 | | 70131-75900 | 1 | RECOIL STARETR | | | |
| 2 | • | 70131-75110 | 1 | STARTER CASE | | | |
| 3 | • | 70131-75120 | 1 | REEL | | | |
| 4 | • | 20024-75130 | 1 | RECOIL SPRING | | | |
| 5 | • | 20035-75170 | 1 | SCREW | | | |
| 6 | • | 70131-75140 | 1 | WASHER | | | |
| 7 | • | 20020-75180 | 1 | ROPE | | | |
| 8 | • | 20010-75190 | 1 | STARTER KNOB | | | |
| 9 | • | 20010-75210 | 1 | STOPPER | | | |
| 10 | • | 20010-75230 | 1 | TAPE | | | |
| 11 | | 70131-75200 | 1 | STARTER PULLY ASSY | | | |
| 12 | • | 70131-75211 | 1 | STARTER PULLEY | | | |
| 13 | • | 20024-75220 | 1 | RATCHET | | | |
| 14 | • | 20024-75230 | 1 | RETURN SPRING | | | |
| 15 | • | 20024-75240 | 1 | E RING | | | |
| 16 | | 20000-76210 | 1 | NUT | | | |
| 17 | | 20020-76111 | 1 | GASKET STARTER | | | |
| 18 | | 11022-04160 | 3 | BOLT SPW | | M4x16 | |
| 19 | | 11060-04203 | 1 | BOLT ADHESIVE | | M4x20 | |
| 20 | | 19420-00027 | 1 | LABEL TRADE | | | |

6. CARBURETOR, AIR CLEANER



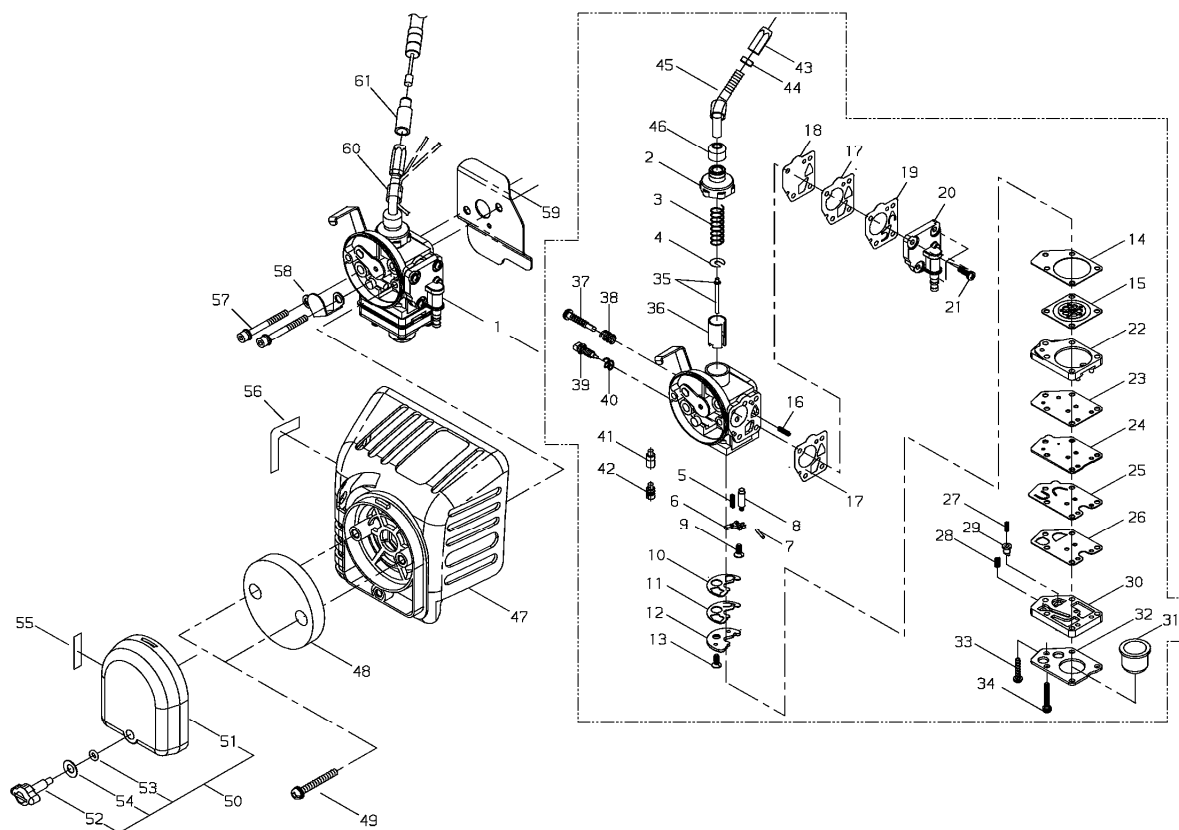
| KEY | LV | PART NUMBER | Q'TY | DESCRIPTION | REMARKS | NOTE1 | NOTE2 |
|-----|----|-------------|------|-----------------|---------|-------|-------|
| 1 | | 62104-81011 | 1 | CABURETOR ASSY | | | |
| 2 | • | 20055-81120 | 1 | BODY CAP | | | |
| 3 | • | 20003-81140 | 1 | THROTTLE SPRING | | | |
| 4 | • | 20000-81150 | 1 | SPRING RECEIVE | | | |
| 5 | • | 20040-81430 | 1 | SPRING | | | |
| 6 | • | 20011-81451 | 1 | LEVER | | | |
| 7 | • | 20011-81460 | 1 | PIN | | | |
| 8 | • | 20000-81441 | 1 | NEEDLE VALVE | | | |
| 9 | • | 20011-81470 | 1 | SCREW | | | |
| 10 | • | 70210-81440 | 1 | PACKING | | | |
| 11 | • | 70210-81430 | 1 | CHECK VALVE | | | |
| 12 | • | 70210-81451 | 1 | PLATE | | | |
| 13 | • | 20011-81470 | 1 | SCREW | | | |
| 14 | • | 20087-81510 | 1 | GASKET | | | |
| 15 | • | 20087-81520 | 1 | DIAPHRAGM | | | |
| 16 | • | 20040-81680 | 3 | SPRING | | | |
| 17 | • | 20011-81630 | 2 | GASKET | | | |
| 18 | • | 20011-81621 | 1 | DIAPHRAGM | | | |
| 19 | • | 20087-81660 | 1 | PUMP VALVE | | | |
| 20 | • | 20087-81640 | 1 | PUMP BODY | | | |
| 21 | • | 20000-81650 | 4 | SCREW | | | |
| 22 | • | 20087-81550 | 1 | COVER | | | |
| 23 | • | 20087-81890 | 1 | PACKING | | | |
| 24 | • | 20087-81560 | 1 | PLATE | | | |
| 25 | • | 20087-81571 | 1 | CHECK VALVE | | | |
| 26 | • | 20087-81540 | 1 | GASKET | | | |

6. CARBURETOR, AIR CLEANER



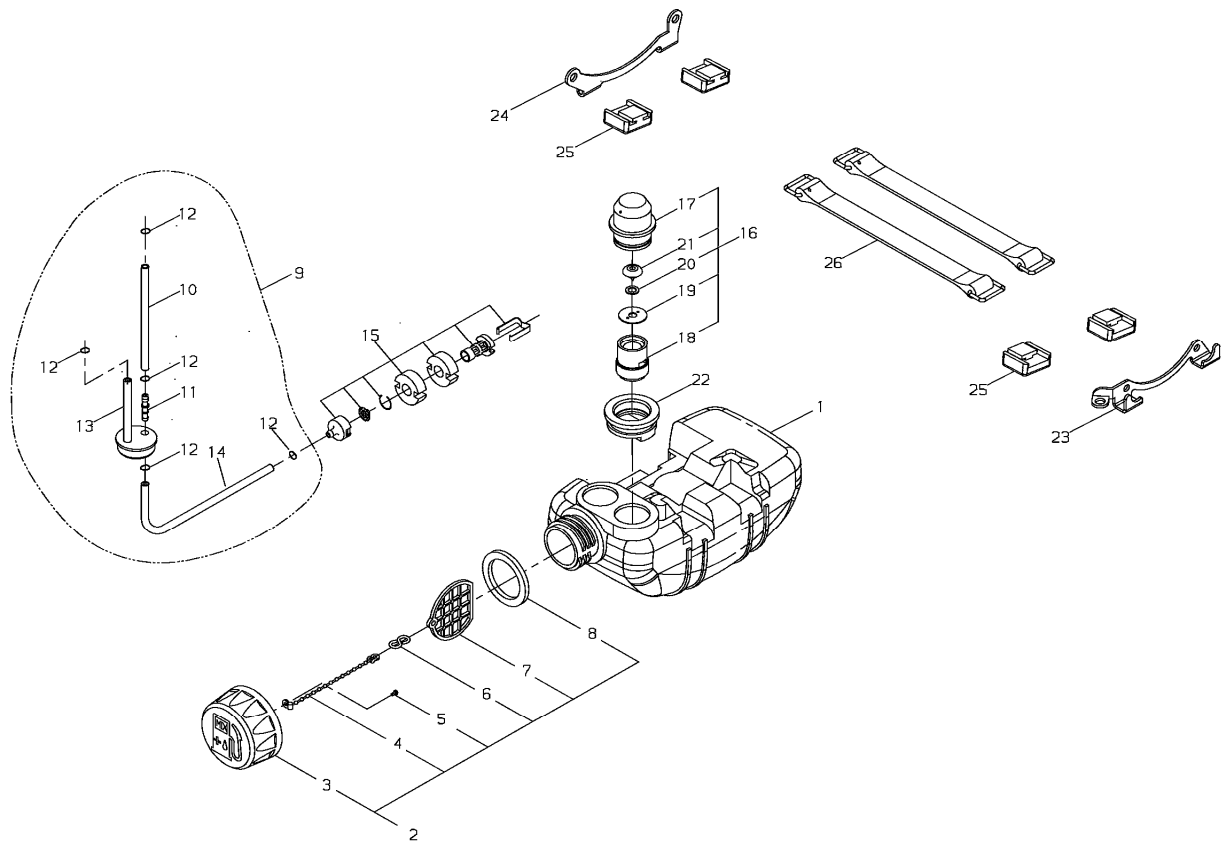
| KEY | LV | PART NUMBER | Q'TY | DESCRIPTION | REMARKS | NOTE1 | NOTE2 |
|-----|----|-------------|------|--------------------|---------|-------|-------|
| 27 | • | 20087-81851 | 1 | SPRING | | | |
| 28 | • | 20087-81870 | 1 | SPRING | | | |
| 29 | • | 20087-81861 | 1 | VALVE | | | |
| 30 | • | 70210-81810 | 1 | PUMP BASE | | | |
| 31 | • | 20087-81820 | 1 | PUMP | | | |
| 32 | • | 20087-81830 | 1 | PLATE | | | |
| 33 | • | 20087-81840 | 1 | SCREW | | | |
| 34 | • | 20087-81880 | 4 | SCREW | | | |
| 35 | • | 62022-81310 | 1 | JET NEEDLE | | | |
| 36 | • | 70131-81180 | 1 | THROTTLE VALVE | | | |
| 37 | • | 20000-81310 | 1 | SLOW STOP SCREW | | | |
| 38 | • | 72920-81820 | 1 | SPRING | | | |
| 39 | • | 62104-81310 | 1 | ADJUST SCREW ASSY | | | |
| 40 | • | 20011-81360 | 1 | SPRING | | | |
| 41 | • | 70210-81411 | 1 | NEEDLE JET | | | |
| 42 | • | 70210-81420 | 1 | HOLDER | | | |
| 43 | • | 20055-81810 | 1 | CABLE ADJUSTER | | | |
| 44 | • | 20000-81260 | 1 | LOCK NUT | | | |
| 45 | • | 70107-81830 | 1 | ADJUST PIPE | | | |
| 46 | • | 20055-81130 | 1 | CAP | | | |
| 47 | | 70102-81710 | 1 | CLEANER BODY | | | |
| 48 | | 20056-81740 | 1 | FILTER | | | |
| 49 | | 11260-04250 | 2 | SCREW PM SLPW | | M4x25 | |
| 50 | | 20060-81761 | 1 | CLEANER COVER COMP | | | |
| 51 | • | 20060-81770 | 1 | CLEANER COVER | | | |
| 52 | • | 20060-81781 | 1 | KNOB CLEANER COVER | | | |

6. CARBURETOR, AIR CLEANER



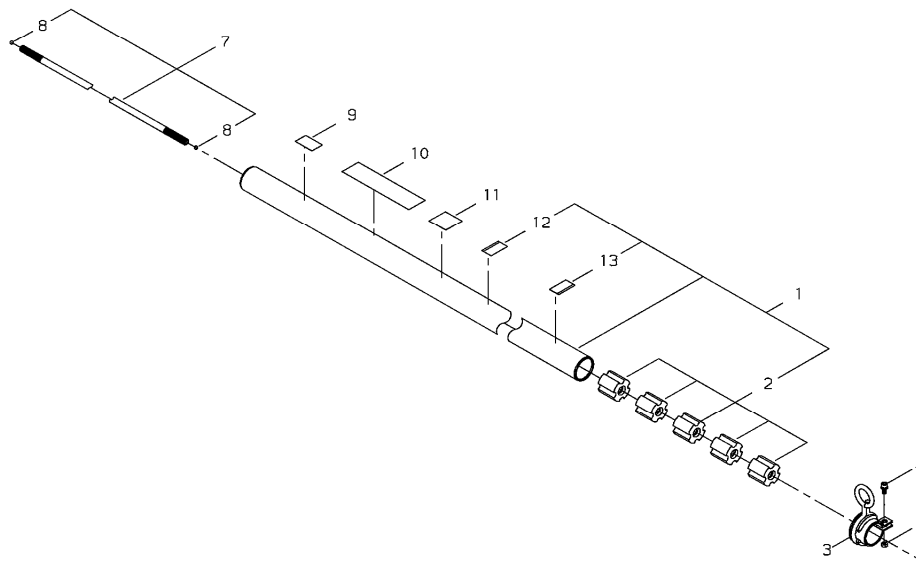
| KEY | LV | PART NUMBER | Q'TY | DESCRIPTION | REMARKS | NOTE1 | NOTE2 |
|-----|----|-------------|------|-------------------|---------|-------|-------|
| 53 | • | 22100-82430 | 1 | O RING | | | |
| 54 | • | 20024-81790 | 1 | CONE WASHER | | | |
| 55 | | 19404-00008 | 1 | LABEL CHOKE | | 25M | |
| 56 | | 19404-00010 | 1 | LABEL CARBURETOR | | 50M | |
| 57 | | 11022-05550 | 2 | BOLT SW | | M5x55 | |
| 58 | | 70131-81750 | 1 | PLATE | | | |
| 59 | | 20021-83411 | 1 | GASKET CARBURETOR | | | |
| 60 | | 20060-83180 | 1 | PIPE | | | |
| 61 | | 20005-83160 | 1 | CABLE CAP | | | |

7. FUEL TANK



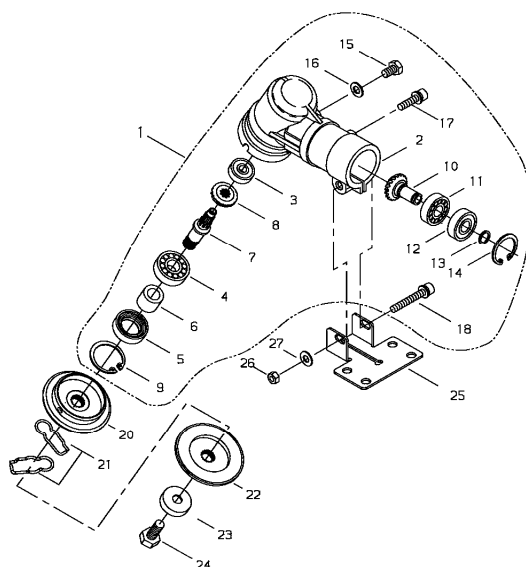
| KEY | LV | PART NUMBER | Q'TY | DESCRIPTION | REMARKS | NOTE1 | NOTE2 |
|-----|----|-------------|------|----------------------|---------|-------|-------|
| 1 | | 70200-85110 | 1 | FUEL TANK | | | |
| 2 | | 70168-85201 | 1 | FUEL CAP ASSY | | | |
| 3 | • | 70168-85210 | 1 | FUEL CAP | | | |
| 4 | • | 22128-57250 | 1 | CHAIN CAP | | | |
| 5 | • | 01270-25064 | 1 | SCREW TAPPING | | 2.5x6 | |
| 6 | • | 22150-21350 | 1 | CLIP | | | |
| 7 | • | 22155-21330 | 1 | HOOK | | | |
| 8 | • | 20000-85221 | 1 | GASKET | | | |
| 9 | | 7020085301 | 1 | FUEL PIPE ASSY | | | |
| 10 | • | 70200-85310 | 1 | FUEL PIPE | | | |
| 11 | • | 72935-85330 | 1 | JOINT | | | |
| 12 | • | 20020-85540 | 5 | CLIP | | | |
| 13 | • | 70200-85350 | 1 | GROMMET | | | |
| 14 | • | 70200-85320 | 1 | FUEL PIPE | | | |
| 15 | | 22169-35400 | 1 | FUEL FILTER SUB ASSY | | | |
| 16 | | 20000-85500 | 1 | BREATHER SUB ASSY | | | |
| 17 | • | 20000-85511 | 1 | CAP BREATHER | | | |
| 18 | • | 20000-85521 | 1 | HOLDER VALVE | | | |
| 19 | • | 22100-85240 | 1 | RETAINER FUEL | | | |
| 20 | • | 22100-85250 | 1 | WASHER FUEL | | | |
| 21 | • | 22100-85260 | 1 | VALVE FUEL | | | |
| 22 | | 20000-85572 | 1 | GROMMET BREATHER | | | |
| 23 | | 20021-86110 | 1 | BRACKET S | | | |
| 24 | | 20011-86120 | 1 | BRACKET M | | | |
| 25 | | 20010-86130 | 4 | CUSHION | | | |
| 26 | | 20010-86140 | 2 | BAND | | | |

8. OUTER PIPE



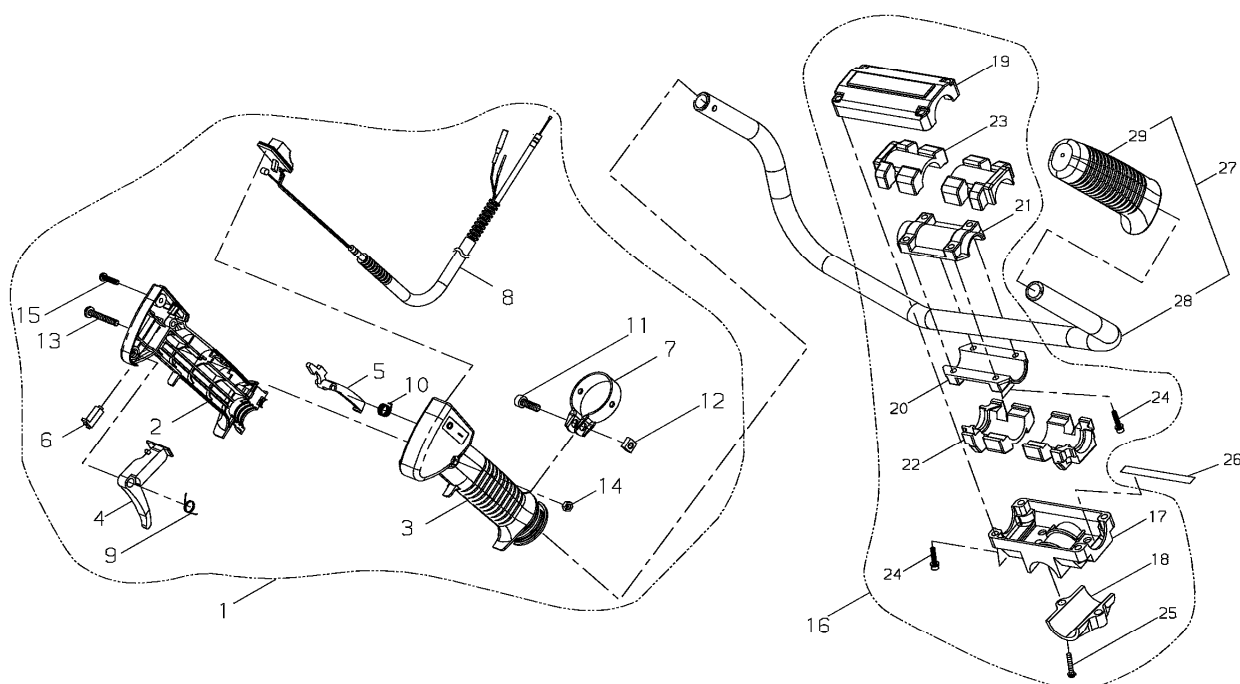
| KEY | LV | PART NUMBER | Q'TY | DESCRIPTION | REMARKS | NOTE1 | NOTE2 |
|-----|----|-------------|------|---------------------|---------|---------------|-------|
| 1 | | 72551-12101 | 1 | OUTER PIPE SUB ASSY | | | |
| 2 | ▪ | 22021-12120 | 5 | BUSHING | | | |
| 3 | | 22017-12210 | 1 | HANGER | | | |
| 4 | | 11022-05120 | 1 | BOLT SPW | | M5x12 | |
| 6 | | 01500-05041 | 1 | NUT | M5 | M5 | |
| 7 | | 72550-12400 | 1 | MAIN SHAFT SUB ASSY | | | |
| 8 | ▪ | 22021-12420 | 2 | STOPPER | | | |
| 9 | | 19402-00223 | 1 | LABEL CAUTION | | MAX 8500MIN-1 | |
| 10 | | 19422-00010 | 1 | LABEL CAUTION | | | |
| 11 | | 19404-00052 | 1 | LABEL DECIBEL | | 117dB(A) | |
| 12 | ▪ | 72017-12150 | 1 | HANDLE LABEL | | | |
| 13 | ▪ | 72005-12140 | 1 | CAUTION PLATE | | | |

9. GEAR CASE



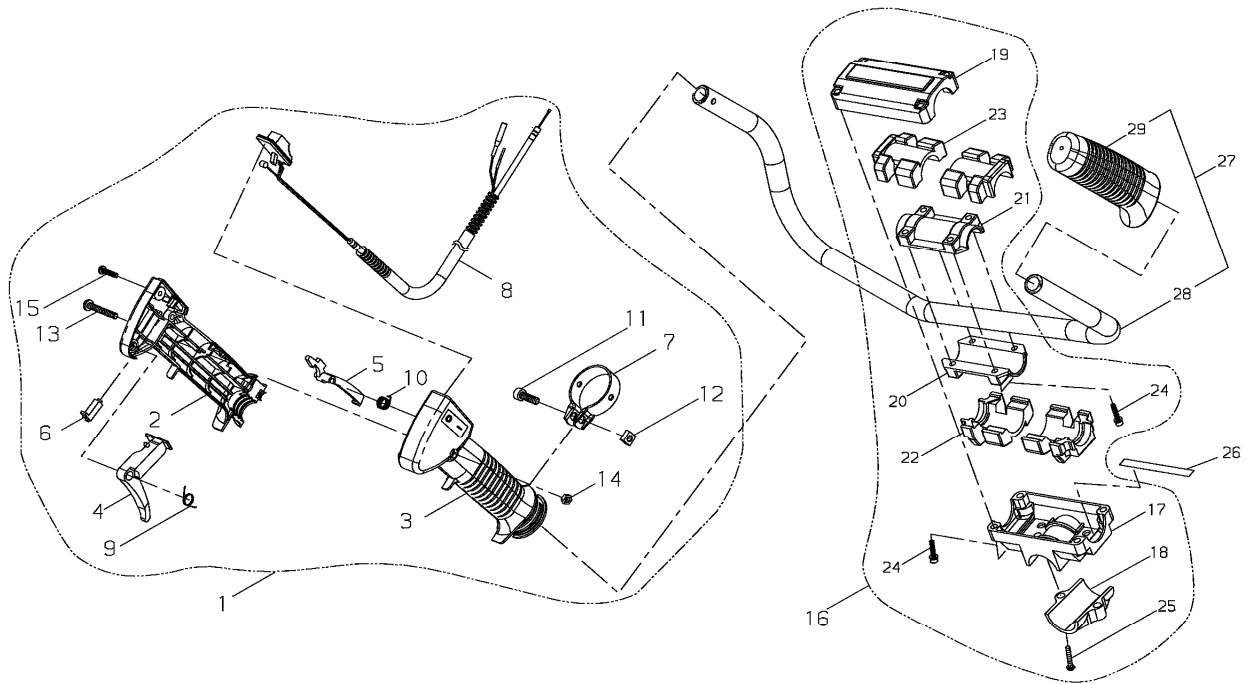
| KEY | LV | PART NUMBER | Q'TY | DESCRIPTION | REMARKS | NOTE1 | NOTE2 |
|-----|----|-------------|------|--------------------|---------|---------|-------|
| 1 | | 63020-63020 | 1 | GEAR CASE SUB ASSY | | | |
| 2 | • | 63020-63111 | 1 | GEAR CASE | | | |
| 3 | • | 02006-06000 | 1 | BEARING | | 6000DDU | |
| 4 | • | 02000-06202 | 1 | BEARING | | 6202 | |
| 5 | • | 72447-13121 | 1 | OIL SEAL | | | |
| 6 | • | 22015-13230 | 1 | COLLAR | | | |
| 7 | • | 63019-63130 | 1 | GEAR SHAFT | | | |
| 8 | • | 22015-13220 | 1 | BEVEL GEAR | | | |
| 9 | • | 02432-35150 | 1 | SNAP RING | | 35mm C | |
| 10 | • | 22021-13390 | 1 | PINION SET | | | |
| 11 | • | 02000-06001 | 1 | BEARING | | 6001 | |
| 12 | • | 02002-06001 | 1 | BEARING | | 6001ZZ | |
| 13 | • | 20000-31140 | 1 | SNAP RING | | | |
| 14 | • | 02432-28120 | 1 | SNAP RING | | 28mm C | |
| 15 | • | 22015-13410 | 1 | BOLT | | | |
| 16 | • | 22015-13420 | 1 | GASKET | | | |
| 17 | • | 11022-06140 | 1 | BOLT SPW | | M6x14 | |
| 18 | • | 11022-06400 | 1 | BOLT SPW | | M6x40 | |
| 20 | | 72447-13240 | 1 | HOLDER A | | | |
| 21 | | 22015-13290 | 2 | SLIDE PIN | | | |
| 22 | | 63020-63171 | 1 | HOLDER | | | |
| 23 | | 22015-13270 | 1 | BOLT GUARD | | | |
| 24 | | 63019-63310 | 1 | BOLT | | | |
| 25 | | 72017-16130 | 1 | LOWER CLAMP | | | |
| 26 | | 01500-06051 | 1 | NUT | M6 | M6 | |
| 27 | | 01613-06100 | 1 | WASHER | | 6mm | |

10. HANDLE



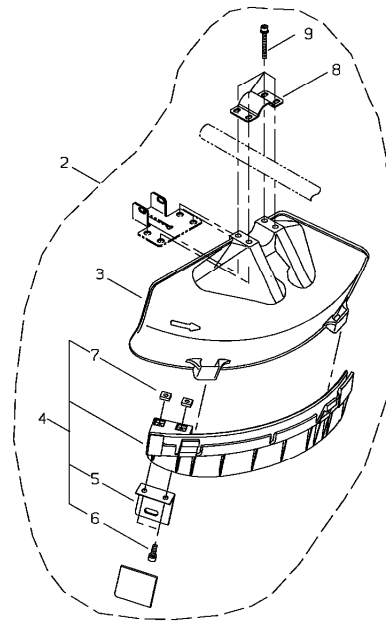
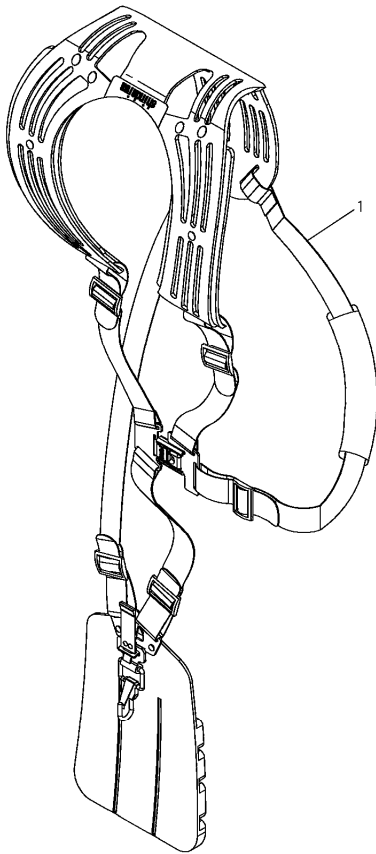
| KEY | LV | PART NUMBER | Q'TY | DESCRIPTION | REMARKS | NOTE1 | NOTE2 |
|-----|----|-------------|------|---------------------|---------|-------|-------|
| 1 | | 72451-14502 | 1 | THROTTLE LEVER ASSY | | | |
| 2 | • | 7245114510 | 1 | BODY RIGHT | | | |
| 3 | • | 7245114520 | 1 | BODY LEFT | | | |
| 4 | • | 72451-14530 | 1 | LEVER | | | |
| 5 | • | 72451-14540 | 1 | LOCK LEVER | | | |
| 6 | • | 72451-14550 | 1 | BUTTON | | | |
| 7 | • | 72451-14560 | 1 | CLAMP | | | |
| 8 | • | 72451-14570 | 1 | THROTTLE CABLE COMP | | | |
| 9 | • | 72451-14580 | 1 | RETURN SPRING | | | |
| 10 | • | 72451-14590 | 1 | SPRING | | | |
| 11 | • | 01020-06200 | 1 | BOLT | | M6x20 | |
| 12 | • | 72451-14610 | 1 | NUT | | | |
| 13 | • | 11203-05351 | 1 | SCREW PM | | M5x35 | |
| 14 | • | 72451-14630 | 1 | NUT | | | |
| 15 | • | 72451-14620 | 1 | SCREW TAPPING | | | |
| 16 | | 72555-14100 | 1 | BRACKET COMP | | | |
| 17 | • | 72555-14110 | 1 | HANDLE BRACKET | | | |
| 18 | • | 72555-14120 | 1 | LOWER CAP | | | |
| 19 | • | 72555-14130 | 1 | UPPER CAP | | | |
| 20 | • | 22015-14140 | 1 | LOWER CLAMP | | | |
| 21 | • | 22015-14150 | 1 | UPPER CLAMP | | | |
| 22 | • | 22015-14160 | 2 | LOWER CUSHION | | | |
| 23 | • | 22015-14170 | 2 | UPPER CUSHION | | | |
| 24 | • | 11022-05250 | 8 | BOLT SPW | | M5x25 | |
| 25 | • | 11210-06250 | 2 | SCREW BUTTON | | M6x25 | |
| 26 | | 72514-14190 | 1 | EARTH CORD | | | |

10. HANDLE



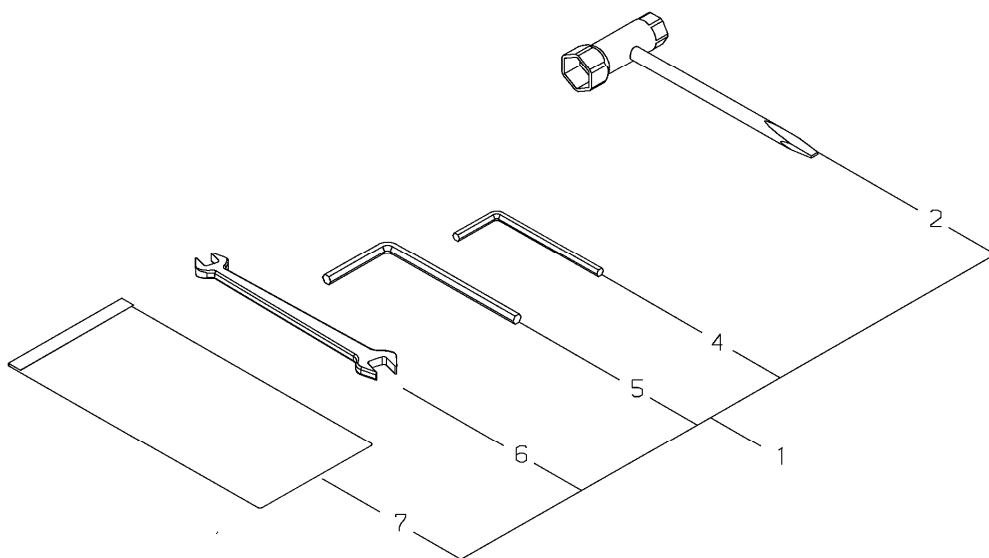
| KEY | LV | PART NUMBER | Q'TY | DESCRIPTION | REMARKS | NOTE1 | NOTE2 |
|-----|----|-------------|------|-----------------|---------|-------|-------|
| 27 | | 72540-14201 | 1 | HANDLE SUB ASSY | | | |
| 28 | • | 7254014212 | 1 | HANDLE | | | |
| 29 | • | 72451-14320 | 1 | GRIP | | | |

11. GUARD, STRAP



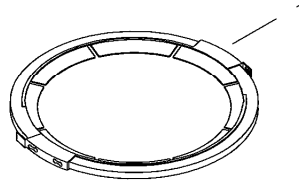
| KEY | LV | PART NUMBER | Q'TY | DESCRIPTION | REMARKS | NOTE1 | NOTE2 |
|-----|-----|-------------|------|----------------|---------|-------|-------|
| 1 | | 64007-67011 | 1 | HARNESS ASSY | | | |
| 2 | | 64008-66311 | 1 | GUARD SET | | | |
| 3 | • | 62903-66111 | 1 | GUARD | | | |
| 4 | • | 62903-66332 | 1 | SUB GUARD ASSY | | | |
| 5 | • • | 72480-16121 | 1 | CUTTER | | | |
| 6 | • • | 11020-05160 | 2 | BOLT SW | | M5x16 | |
| 7 | • • | 22420-16120 | 2 | NUT | | | |
| 8 | • | 72480-16210 | 1 | UPPER CLAMP | | | |
| 9 | • | 11022-05450 | 4 | BOLT SPW | | M5x45 | |

12. TOOL

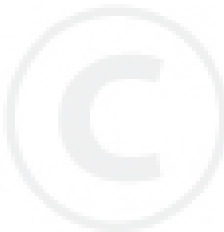


| KEY | LV | PART NUMBER | Q'TY | DESCRIPTION | REMARKS | NOTE1 | NOTE2 |
|-----|----|-------------|------|-----------------|---------|-------|-------|
| 1 | | 72547-91100 | 1 | TOOL SET | | | |
| 2 | • | 72518-91180 | 1 | WRENCH 17X19 | | | |
| 4 | • | 09026-04001 | 1 | HEXA WRENCH | 4MM M5㉿ | M5 | |
| 5 | • | 09026-05001 | 1 | HEXA WRENCH 6MM | | M6 | |
| 6 | • | 22000-91120 | 1 | SPANNER | | | |
| 7 | • | 19639-01700 | 1 | TOOL BAG | | | |

13. BLADE COVER



| KEY | LV | PART NUMBER | Q'TY | DESCRIPTION | REMARKS | NOTE1 | NOTE2 |
|-----|----|-------------|------|-------------|---------|-------|-------|
| 1 | | 22550-92310 | 1 | BLADE COVER | | | |



Index

| Patrs Number | Key No. | Patrs Number | Key No. | Patrs Number | Key No. |
|---------------------|----------------|---------------------|----------------|---------------------|----------------|
| 01020-04240 | 4 - 16 | 12900-62020 | 2 - 3 | 20011-81470 | 6 - 9 |
| 01020-05250 | 1 - 3 | 12900-62020 | 2 - 7 | 20011-81470 | 6 - 13 |
| 01020-05250 | 2 - 33 | 13000-13406 | 4 - 19 | 20011-81621 | 6 - 18 |
| 01020-05300 | 2 - 10 | 19402-00223 | 8 - 9 | 20011-81630 | 6 - 17 |
| 01020-06200 | 10 - 11 | 19404-00008 | 6 - 55 | 20011-86120 | 7 - 24 |
| 01020-06250 | 1 - 11 | 19404-00010 | 6 - 56 | 20020-51112 | 3 - 8 |
| 01270-25064 | 7 - 5 | 19404-00052 | 8 - 11 | 20020-51121 | 3 - 9 |
| 01500-05041 | 8 - 6 | 19420-00027 | 5 - 20 | 20020-51131 | 3 - 10 |
| 01500-06051 | 9 - 26 | 19422-00010 | 8 - 10 | 20020-51140 | 3 - 11 |
| 01511-10061 | 4 - 3 | 19639-01700 | 12 - 7 | 20020-51150 | 3 - 12 |
| 01600-04101 | 4 - 17 | 20000-31140 | 9 - 13 | 20020-75180 | 5 - 7 |
| 01600-05131 | 1 - 4 | 20000-72230 | 4 - 14 | 20020-76111 | 5 - 17 |
| 01600-05131 | 2 - 34 | 20000-72241 | 4 - 11 | 20020-85540 | 7 - 12 |
| 01600-05131 | 2 - 38 | 20000-72250 | 4 - 12 | 20021-31200 | 2 - 14 |
| 01600-10251 | 4 - 4 | 20000-76210 | 5 - 16 | 20021-31210 | 2 - 15 |
| 01610-05080 | 2 - 35 | 20000-81150 | 6 - 4 | 20021-31220 | 2 - 16 |
| 01613-05080 | 2 - 39 | 20000-81260 | 6 - 44 | 20021-83411 | 6 - 59 |
| 01613-06100 | 9 - 27 | 20000-81310 | 6 - 37 | 20021-86110 | 7 - 23 |
| 02000-06001 | 9 - 11 | 20000-81441 | 6 - 8 | 20024-12260 | 1 - 8 |
| 02000-06202 | 9 - 4 | 20000-81650 | 6 - 21 | 20024-75130 | 5 - 4 |
| 02002-06001 | 9 - 12 | 20000-85221 | 7 - 8 | 20024-75220 | 5 - 13 |
| 02006-06000 | 9 - 3 | 20000-85500 | 7 - 16 | 20024-75230 | 5 - 14 |
| 02006-06002 | 2 - 12 | 20000-85511 | 7 - 17 | 20024-75240 | 5 - 15 |
| 02403-03100 | 4 - 2 | 20000-85521 | 7 - 18 | 20024-81790 | 6 - 54 |
| 02432-28120 | 9 - 14 | 20000-85572 | 7 - 22 | 20035-75170 | 5 - 5 |
| 02432-32120 | 2 - 13 | 20003-81140 | 6 - 3 | 20040-81430 | 6 - 5 |
| 02432-35150 | 9 - 9 | 20005-83160 | 6 - 61 | 20040-81680 | 6 - 16 |
| 09026-04001 | 12 - 4 | 20010-12121 | 1 - 2 | 20055-81120 | 6 - 2 |
| 09026-05001 | 12 - 5 | 20010-21211 | 2 - 4 | 20055-81130 | 6 - 46 |
| 11020-05160 | 11 - 6 | 20010-21211 | 2 - 8 | 20055-81810 | 6 - 43 |
| 11022-04160 | 5 - 18 | 20010-71631 | 4 - 15 | 20056-81740 | 6 - 48 |
| 11022-05120 | 8 - 4 | 20010-71650 | 4 - 18 | 20060-12210 | 1 - 5 |
| 11022-05180 | 2 - 25 | 20010-72221 | 4 - 10 | 20060-81761 | 6 - 50 |
| 11022-05200 | 2 - 19 | 20010-75190 | 5 - 8 | 20060-81770 | 6 - 51 |
| 11022-05200 | 2 - 30 | 20010-75210 | 5 - 9 | 20060-81781 | 6 - 52 |
| 11022-05250 | 1 - 7 | 20010-75230 | 5 - 10 | 20060-83180 | 6 - 60 |
| 11022-05250 | 10 - 24 | 20010-86130 | 7 - 25 | 20087-81510 | 6 - 14 |
| 11022-05300 | 2 - 20 | 20010-86140 | 7 - 26 | 20087-81520 | 6 - 15 |
| 11022-05450 | 11 - 9 | 20011-12221 | 1 - 6 | 20087-81540 | 6 - 26 |
| 11022-05550 | 6 - 57 | 20011-31230 | 2 - 17 | 20087-81550 | 6 - 22 |
| 11022-06140 | 9 - 17 | 20011-35110 | 2 - 28 | 20087-81560 | 6 - 24 |
| 11022-06400 | 9 - 18 | 20011-35141 | 2 - 31 | 20087-81571 | 6 - 25 |
| 11024-04160 | 2 - 22 | 20011-35151 | 2 - 32 | 20087-81640 | 6 - 20 |
| 11024-05120 | 1 - 12 | 20011-71660 | 4 - 7 | 20087-81660 | 6 - 19 |
| 11060-04203 | 5 - 19 | 20011-72110 | 4 - 8 | 20087-81820 | 6 - 31 |
| 11203-05351 | 10 - 13 | 20011-72120 | 4 - 9 | 20087-81830 | 6 - 32 |
| 11210-06250 | 10 - 25 | 20011-81360 | 6 - 40 | 20087-81840 | 6 - 33 |
| 11260-04250 | 6 - 49 | 20011-81451 | 6 - 6 | 20087-81851 | 6 - 27 |
| 12492-50100 | 2 - 9 | 20011-81460 | 6 - 7 | 20087-81861 | 6 - 29 |

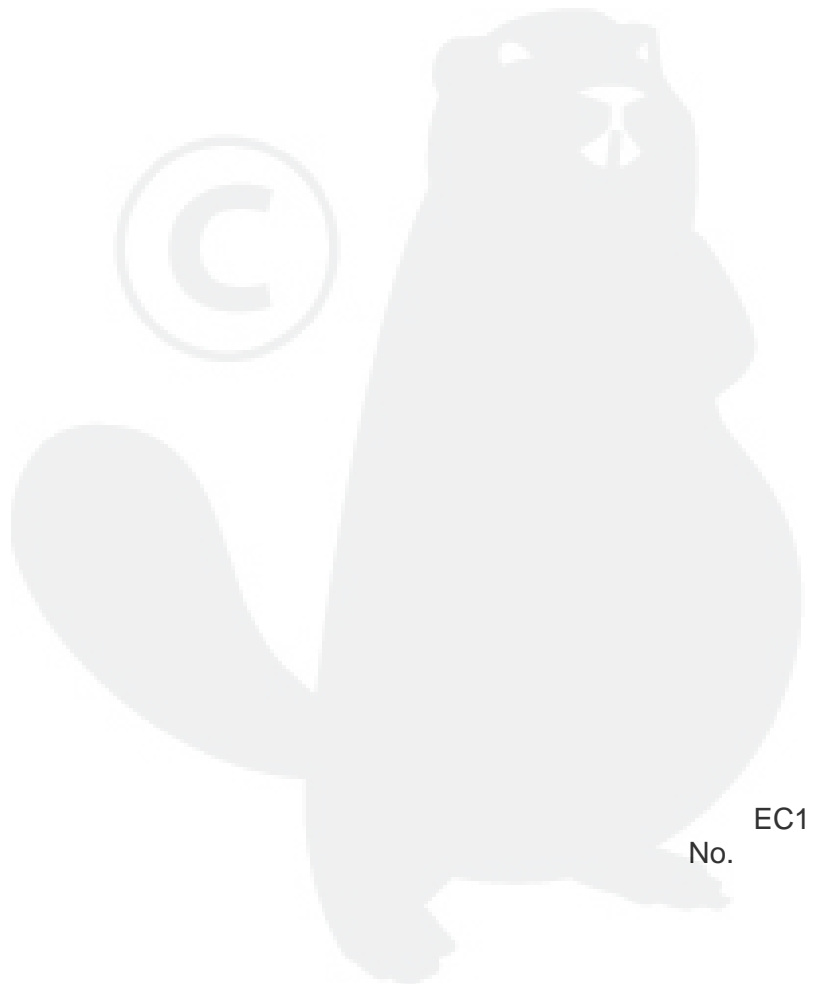
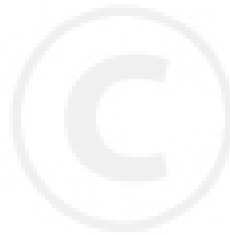
Index

| Patrs Number | Key No. | Patrs Number | Key No. | Patrs Number | Key No. |
|---------------------|----------------|---------------------|----------------|---------------------|----------------|
| 20087-81870 | 6 - 28 | 70012-35130 | 2 - 29 | 7245114520 | 10 - 3 |
| 20087-81880 | 6 - 34 | 70062-21200 | 2 - 5 | 72451-14530 | 10 - 4 |
| 20087-81890 | 6 - 23 | 70102-81710 | 6 - 47 | 72451-14540 | 10 - 5 |
| 22000-91120 | 12 - 6 | 70107-81830 | 6 - 45 | 72451-14550 | 10 - 6 |
| 22015-13220 | 9 - 8 | 70131-34100 | 2 - 21 | 72451-14560 | 10 - 7 |
| 22015-13230 | 9 - 6 | 70131-75110 | 5 - 2 | 72451-14570 | 10 - 8 |
| 22015-13270 | 9 - 23 | 70131-75120 | 5 - 3 | 72451-14580 | 10 - 9 |
| 22015-13290 | 9 - 21 | 70131-75140 | 5 - 6 | 72451-14590 | 10 - 10 |
| 22015-13410 | 9 - 15 | 70131-75200 | 5 - 11 | 72451-14610 | 10 - 12 |
| 22015-13420 | 9 - 16 | 70131-75211 | 5 - 12 | 72451-14620 | 10 - 15 |
| 22015-14140 | 10 - 20 | 70131-75900 | 5 - 1 | 72451-14630 | 10 - 14 |
| 22015-14150 | 10 - 21 | 70131-81180 | 6 - 36 | 72480-16121 | 11 - 5 |
| 22015-14160 | 10 - 22 | 70131-81750 | 6 - 58 | 72480-16210 | 11 - 8 |
| 22015-14170 | 10 - 23 | 70168-85201 | 7 - 2 | 72514-14190 | 10 - 26 |
| 22017-12210 | 8 - 3 | 70168-85210 | 7 - 3 | 72518-91180 | 12 - 2 |
| 22021-12120 | 8 - 2 | 70180-72260 | 4 - 13 | 72540-14201 | 10 - 27 |
| 22021-12420 | 8 - 8 | 70192-31510 | 2 - 18 | 7254014212 | 10 - 28 |
| 22021-13390 | 9 - 10 | 70196-32141 | 2 - 24 | 72547-91100 | 12 - 1 |
| 22100-41230 | 3 - 4 | 70200-33112 | 2 - 36 | 72550-12400 | 8 - 7 |
| 22100-82430 | 6 - 53 | 70200-71200 | 4 - 1 | 72551-12101 | 8 - 1 |
| 22100-85240 | 7 - 19 | 70200-71610 | 4 - 5 | 72555-14100 | 10 - 16 |
| 22100-85250 | 7 - 20 | 70200-71640 | 4 - 6 | 72555-14110 | 10 - 17 |
| 22100-85260 | 7 - 21 | 70200-85110 | 7 - 1 | 72555-14120 | 10 - 18 |
| 22128-57250 | 7 - 4 | 7020085301 | 7 - 9 | 72555-14130 | 10 - 19 |
| 22150-21350 | 7 - 6 | 70200-85310 | 7 - 10 | 72920-81820 | 6 - 38 |
| 22155-21330 | 7 - 7 | 70200-85320 | 7 - 14 | 72921-21121 | 2 - 6 |
| 22160-41220 | 3 - 3 | 70200-85350 | 7 - 13 | 72935-21101 | 2 - 1 |
| 22160-41240 | 3 - 5 | 70210-12111 | 1 - 1 | 72935-21111 | 2 - 2 |
| 22169-35400 | 7 - 15 | 70210-31150 | 2 - 40 | 72935-85330 | 7 - 11 |
| 22182-41210 | 3 - 2 | 70210-32111 | 2 - 23 | | |
| 22420-16120 | 11 - 7 | 70210-33120 | 2 - 37 | | |
| 22550-92310 | 13 - 1 | 70210-41110 | 3 - 1 | | |
| 62022-81310 | 6 - 35 | 70210-42001 | 3 - 6 | | |
| 62104-15110 | 1 - 9 | 70210-51100 | 3 - 7 | | |
| 62104-15210 | 1 - 10 | 70210-51160 | 3 - 13 | | |
| 62104-32310 | 2 - 26 | 70210-81411 | 6 - 41 | | |
| 62104-32321 | 2 - 27 | 70210-81420 | 6 - 42 | | |
| 62104-81011 | 6 - 1 | 70210-81430 | 6 - 11 | | |
| 62104-81310 | 6 - 39 | 70210-81440 | 6 - 10 | | |
| 62903-66111 | 11 - 3 | 70210-81451 | 6 - 12 | | |
| 62903-66332 | 11 - 4 | 70210-81810 | 6 - 30 | | |
| 63019-63130 | 9 - 7 | 72005-12140 | 8 - 13 | | |
| 63019-63310 | 9 - 24 | 72017-12150 | 8 - 12 | | |
| 63020-63020 | 9 - 1 | 72017-16130 | 9 - 25 | | |
| 63020-63111 | 9 - 2 | 72447-13121 | 9 - 5 | | |
| 63020-63171 | 9 - 22 | 72447-13240 | 9 - 20 | | |
| 64007-67011 | 11 - 1 | 72451-14320 | 10 - 29 | | |
| 64008-66311 | 11 - 2 | 72451-14502 | 10 - 1 | | |
| 70012-31111 | 2 - 11 | 7245114510 | 10 - 2 | | |

YAMABIKO CORPORATION

7-2 SUEHIROCHO 1-CHOME, OHME, TOKYO 198-8760, JAPAN
PHONE: 81-428-32-6118. FAX: 81-428-32-6145.

shindaiwa[®]



EC1
No.