

# Shindaiwa Illustrated Parts List

## BP530 EC1 Brushcutter

---

CYLINDER.....	2
CRANKCASE.....	3
PISTON.....	4
ROTOR.....	5
CARBURETOR.....	6
CARBURETOR.....	7
RECOIL STARTER SUB-ASSEMBLY.....	8
FUEL TANK.....	9
OUTER PIPE / THROTTLE LEVER.....	10
GEAR CASE.....	11
HANDLE.....	12
GUARD SET.....	13
CONNECTOR.....	14
FRAME.....	15
TOOL SET.....	16

[www.shindaiwa.com](http://www.shindaiwa.com)

11975 SW Herman Road

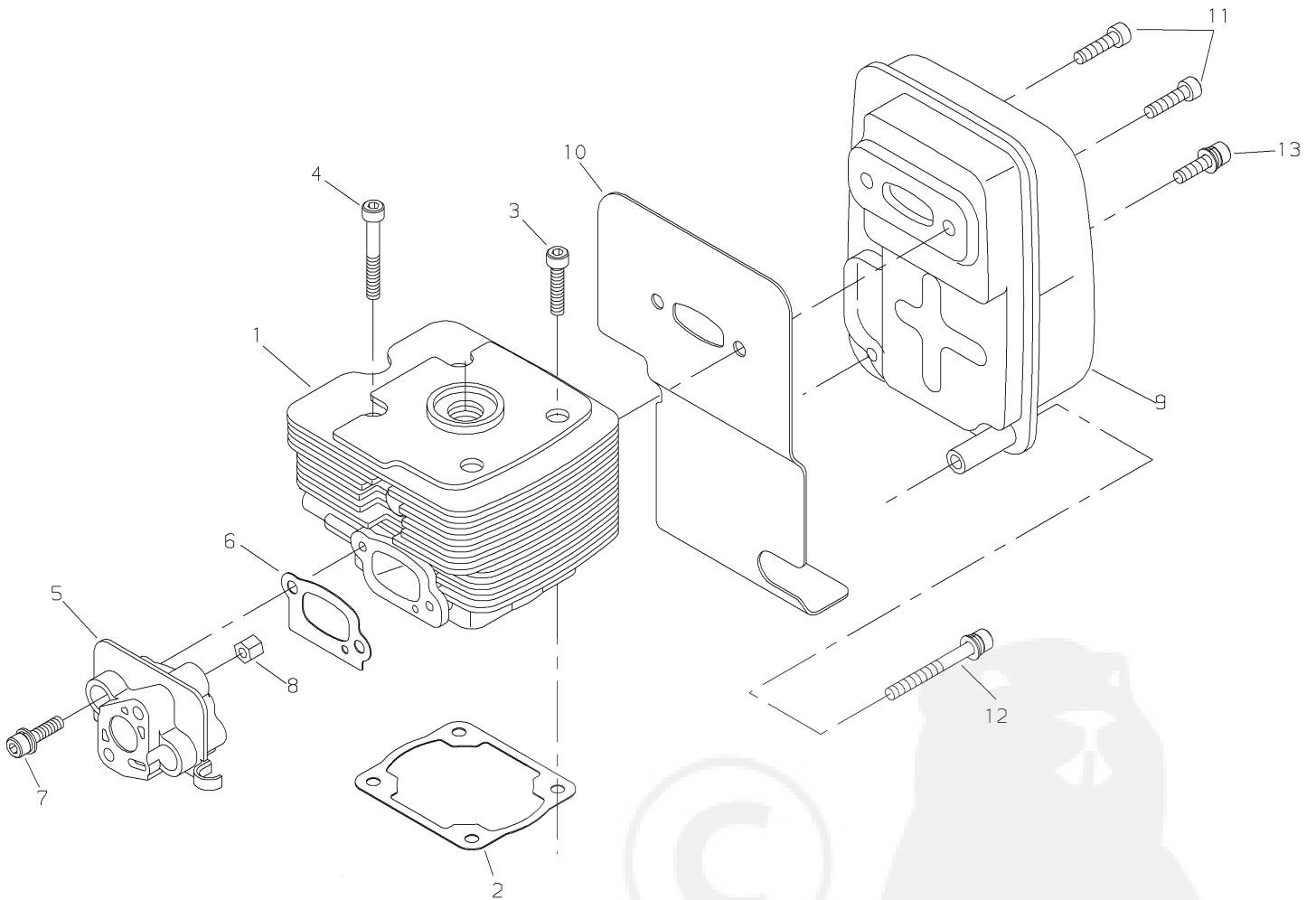
Tualatin, Oregon 97062, U.S.A.

1 + 503.692.3070 • fax 1 + 503.692.6696 •

**shindaiwa**

## CYLINDER

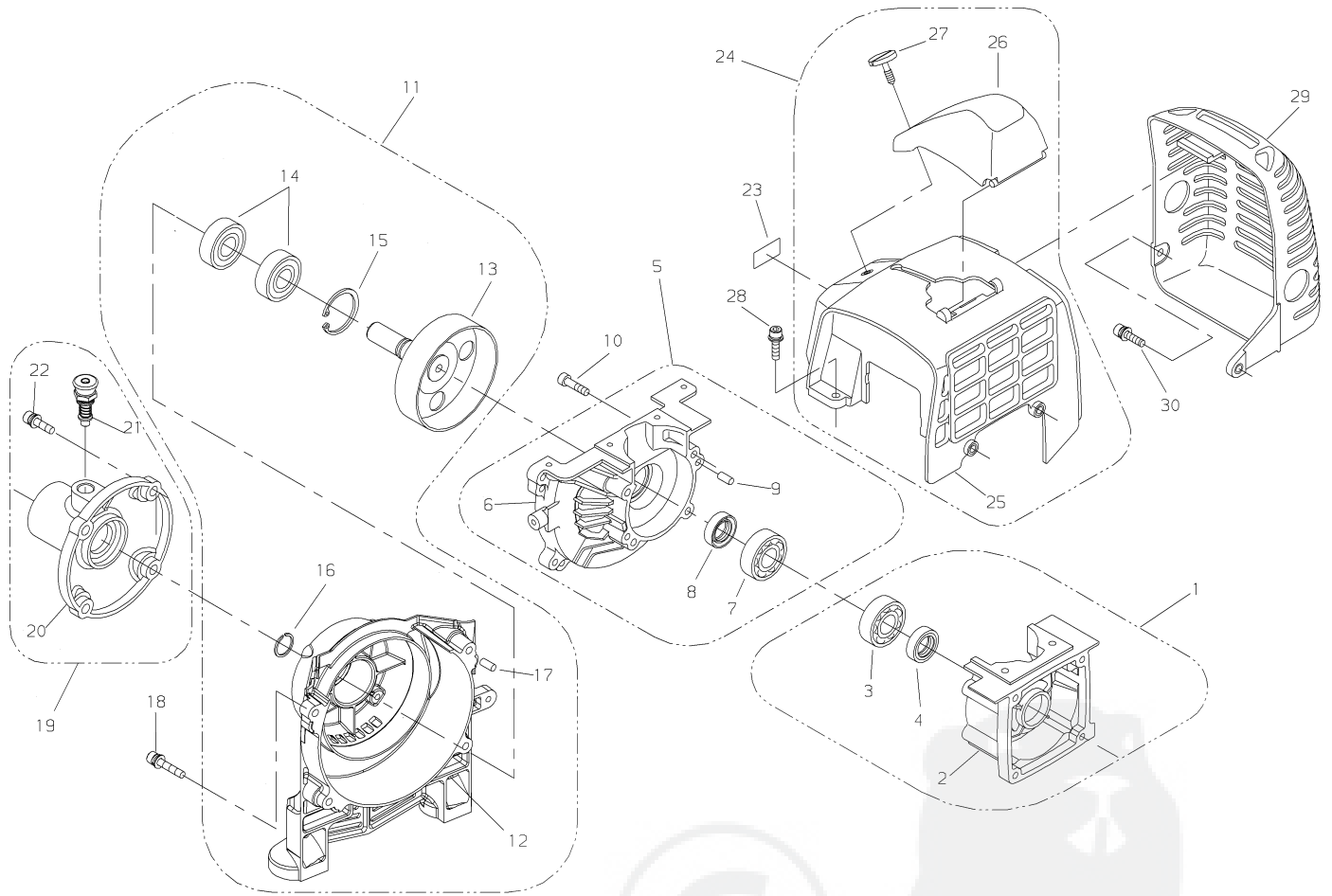
ILLUSTRATION 1 - REV 8/05



Ref. No	Part No.	Part Name	Q'ty
1 -1	62035-12111	CYLINDER	1
2	62035-12120	GASKET CYLINDER	1
3	01020-05250	BOLT	3
4	01020-05350	BOLT	1
5	62035-12210	INSULATOR	1
6	62035-12220	GASKET	1
7	11022-05300	BOLT SW	2
8	20024-12260	NUT	2
9	62083-15110	MUFFLER	1
10	62035-15210	GASKET MUFFLER	1
11	01020-06250	BOLT	2
12	11022-05450	BOLT SPW	1
13	11022-05160	BOLT SPW	1

CRANKCASE

ILLUSTRATION 2 - REV 8/05



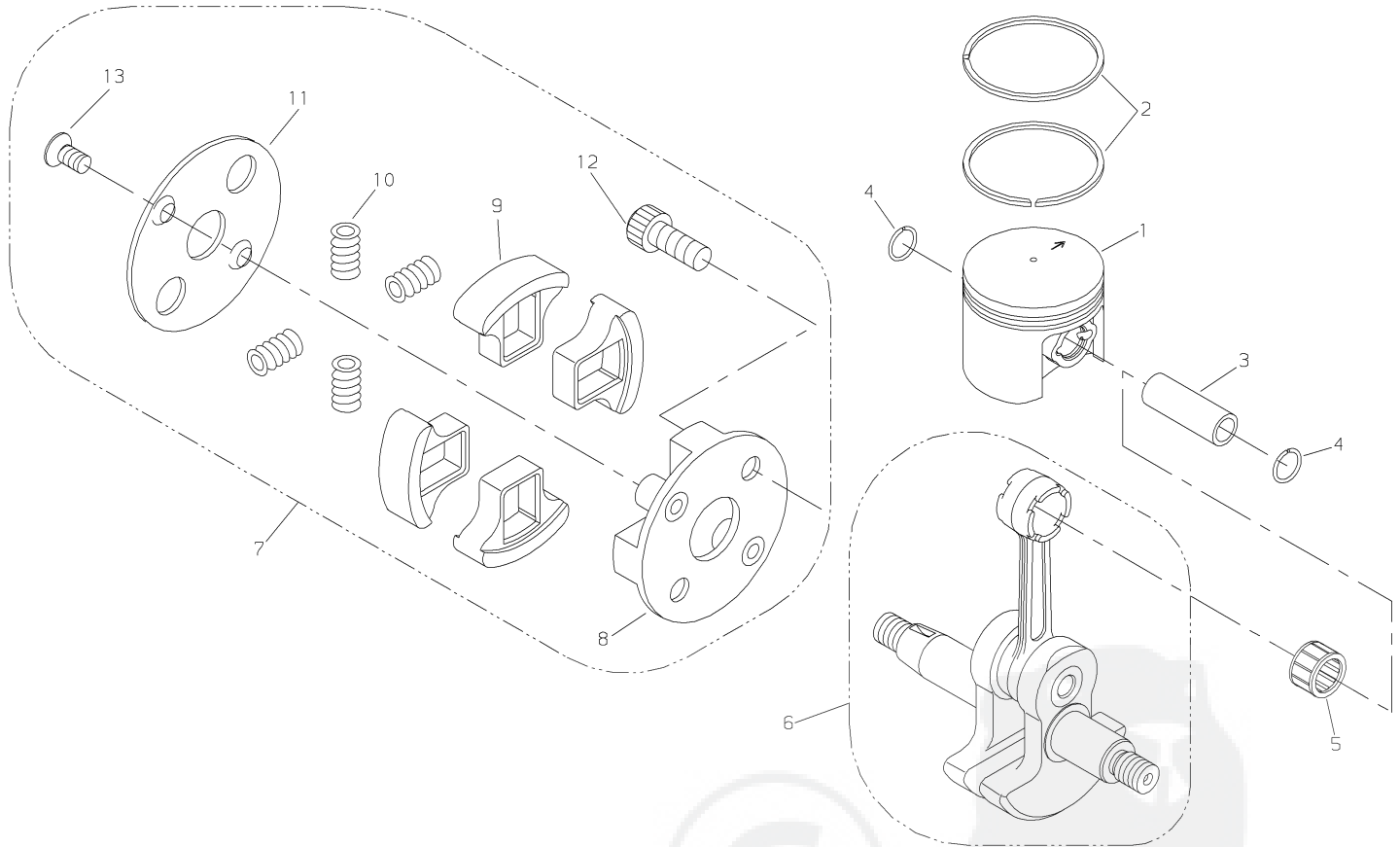
Ref. No	Part No.	Part Name	Q'ty
2-1	62035-21010	CRANKCASE S COMP.	1
2	62035-21110	*CRANKCASE S	1
3	02030-06202	*BEARING	1
4	20010-21211	*OIL SEAL	1
5	62035-21020	CRANKCASE M COMP.	1
6	62035-21210	*CRANKCASE M	1
7	02030-06202	*BEARING	1
8	20010-21211	*OIL SEAL	1
9	12492-50100	*DOWEL PIN	2
10	01020-05300	BOLT	4
11	62083-31012	FAN COVER COMP.	1
12	62083-31111	*FAN COVER	1
13	62083-31210	*CLUTCH DRUM	1
14	02006-06202	*BEARING	2
15	02432-35150	*SNAP RING	1

Ref. No	Part No.	Part Name	Q'ty
16	20011-31230	*SNAP RING	1
17	12492-50100	*DOWEL PIN	3
18	11022-05300	BOLT SW	4
19	62083-35010	JOINT CASE ASSEMBLY	1
20	20051-35130	*JOINT CASE	1
21	20112-35200	*PIN COMP	1
22	11022-05200	*BOLT SPW	4
23	62083-91320	LABEL TRADE	1
24	62035-32012	CYLINDER COVER COMP.	1
25	62035-32112	*CYLINDER COVER	1
26	62035-32310	*PLUG COVER	1
27	62035-32320	*KNOB	1
28	11022-05160	BOLT SPW	2
29	62036-32311	MUFFLER COVER	1
30	11022-05160	BOLT SPW	1

\* Denotes item is part of an assembly \*\* Denotes item is part of a sub-assembly

## PISTON

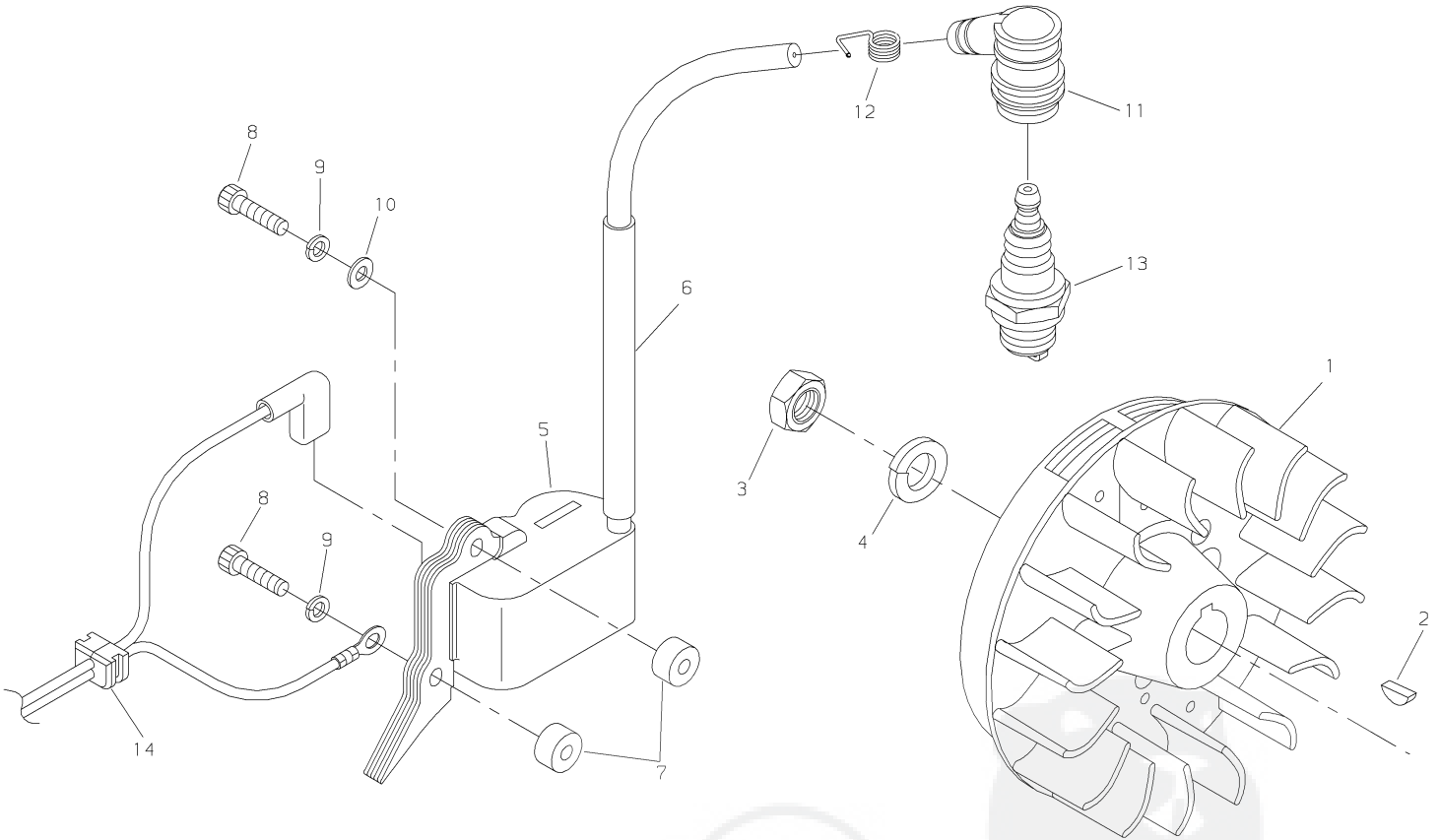
ILLUSTRATION 3 - REV 8/05



Ref. No	Part No.	Part Name	Q'ty
3-1	62035-41110	PISTON	1
2	62035-41120	PISTON RING	2
3	62035-41210	PISTON PIN	1
4	22152-41231	SNAP RING	2
5	22150-41280	NEEDLE BEARING	1
6	62035-42010	CRANKSHAFT	1
7	70210-51100	CLUTCH SHOE ASSEMBLY	1
8	20020-51112	*CLUTCH BOSS	1
9	20020-51121	*CLUTCH SHOE	4
10	20020-51131	*SPRING	4
11	20020-51140	*PLATE	1
12	20020-51150	*CLUTCH BOLT	2
13	70210-51160	*SCREW FLAT	2

**ROTOR**

ILLUSTRATION 4 - REV 8/05

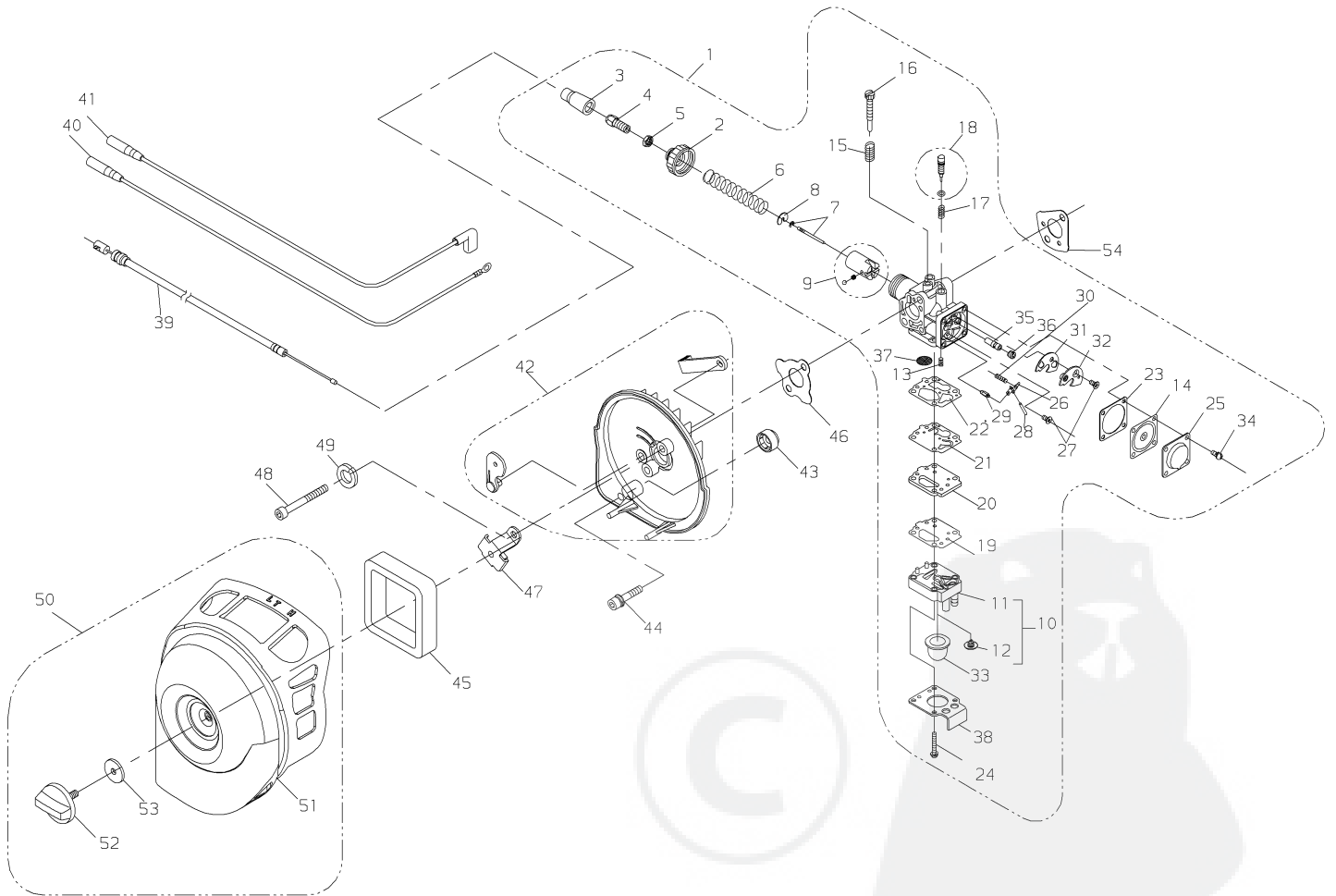


Ref. No	Part No.	Part Name	Q'ty
4- 1	62035-71110	ROTOR	1
2	02403-03100	KEY	1
3	01511-10061	NUT	1
4	01600-10251	SPRING WASHER	1
5	62035-71020	COIL ASSEMBLY	1
6	22155-72280	PIPE CORD B	1
7	70030-71620	INSULATOR	2
8	01020-04240	BOLT	2
9	01600-04101	SPRING WASHER	2
10	20010-71650	WASHER	1
11	22160-72220	PLUG CAP	1
12	22154-72230	SPRING PLUG	1
13	13000-13406	SPARK PLUG BMR6A	1
14	62035-71320	GROMMET	1

\* Denotes item is part of an assembly \*\* Denotes item is part of a sub-assembly

## CARBURETOR

ILLUSTRATION 6 - REV 8/05



## CARBURETOR

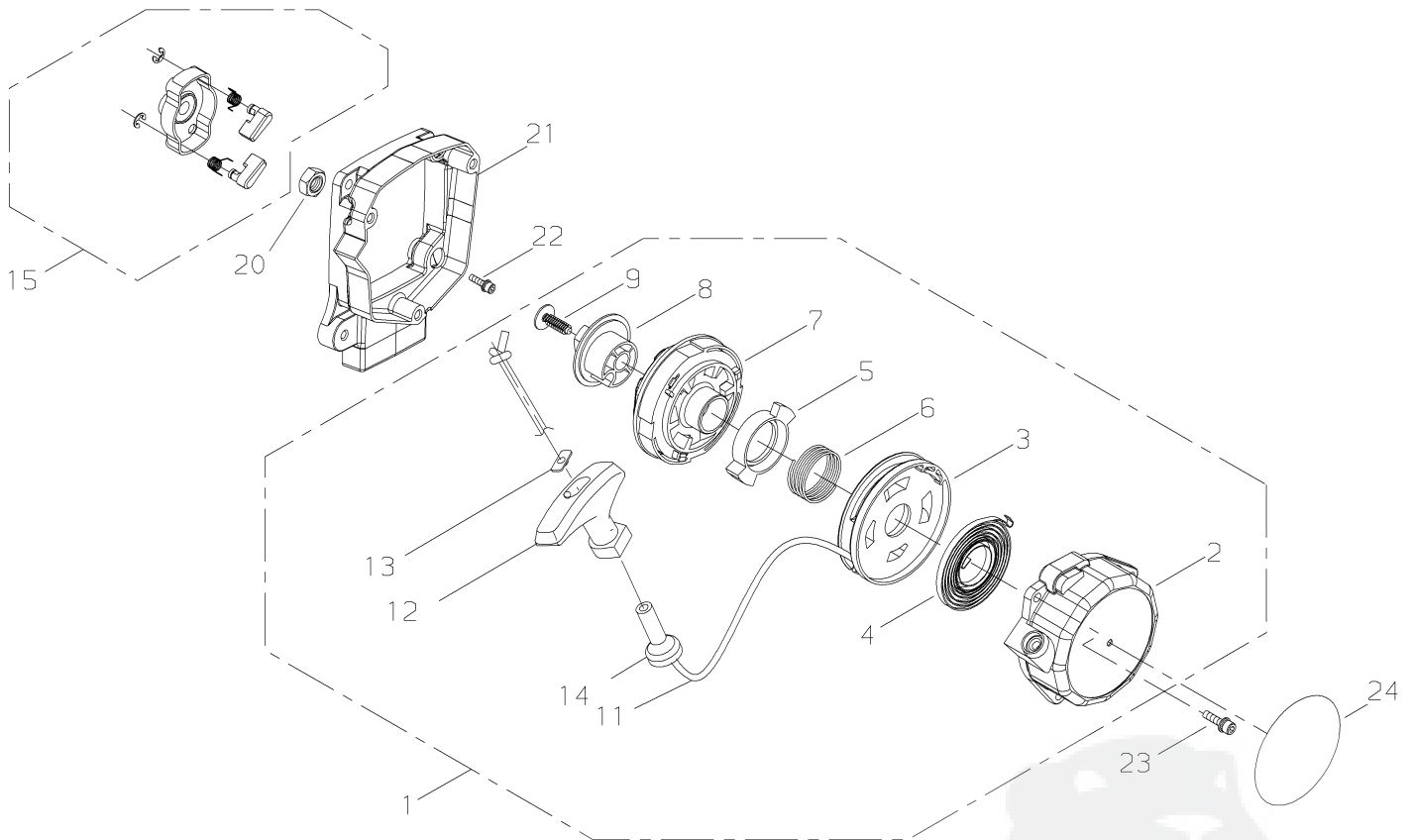
ILLUSTRATION 6 - REV 8/05

Ref. No	Part No.	Part Name	Q'ty
6-1	62109-81010	CARBURETOR ASSEMBLY	1
2	62083-81310	*BODY CAP	1
3	20005-83160	*CABLE CAP	1
4	62083-81330	*CABLE ADJUSTER	1
5	20000-81260	*LOCK NUT	1
6	20020-81140	*SPRING	1
7	62109-81320	*JET NEEDLE	1
8	20020-81150	*SPRING RECIEVE	1
9	62035-81330	*THROTTLE VALVE	1
10	62035-81340	*PUMP COVER ASSEMBLY	1
11	62035-81350	**PUMP COVER	1
12	68501-81340	**VALVE	1
13	62035-81360	*SPRING	1
14	62035-81410	*DIAPHRAGM	1
15	20011-81360	*SPRING	1
16	62109-81330	*MAIN ADJUST SCREW	1
17	72920-81820	*SPRING	1
18	20000-81310	*SLOW STOP SCREW	1
19	20019-81660	*GASKET	1
20	20019-81610	*PUMP PLATE	1
21	20019-81620	*DIAPHRAGM PUMP	1
22	20019-81630	*GASKET	1
23	62035-81370	*GASKET	1
24	62035-81380	*SCREW	4
25	20019-81670	*COVER DIAPHRAGM	1
26	20011-81451	*LEVER	1
27	20011-81470	*SCREW	2

Ref. No	Part No.	Part Name	Q'ty
28	20011-81460	*PIN	1
29	20019-81440	*NEEDLE VALVE	1
30	20040-81430	*SPRING	1
31	70210-81440	*PACKING	1
32	70210-81451	*PLATE	1
33	20087-81820	*PUMP	1
34	20000-81540	*SCREW	4
35	62035-81420	*NEEDLE JET	1
36	70210-81420	*HOLDER	1
37	68501-81480	*SCREEN	1
38	62035-81390	*PUMP PLATE	1
39	62060-83110	THROTTLE CABLE	1
40	14352-11900	LEAD WIRE	1
41	14350-11601	LEAD WIRE	1
42	62035-82011	CLEANER BODY COMP.	1
43	62035-82362	INSULATOR	1
44	11022-05400	BOLT SW	1
45	62083-82120	FILTER	1
46	62035-82330	GASKET	1
47	62035-82340	BACK PLATE	1
48	01020-05750	BOLT	2
49	01600-05131	SPRING WASHER	2
50	62083-82041	CLEANER COVER COMP.	1
51	62083-82131	*CLEANER COVER	1
52	20870-33120	*KNOB	1
53	62035-82350	*WASHER	1
54	62035-81310	GASKET	1

## RECOIL STARTER SUB-ASSEMBLY

ILLUSTRATION 5 - REV 8/05

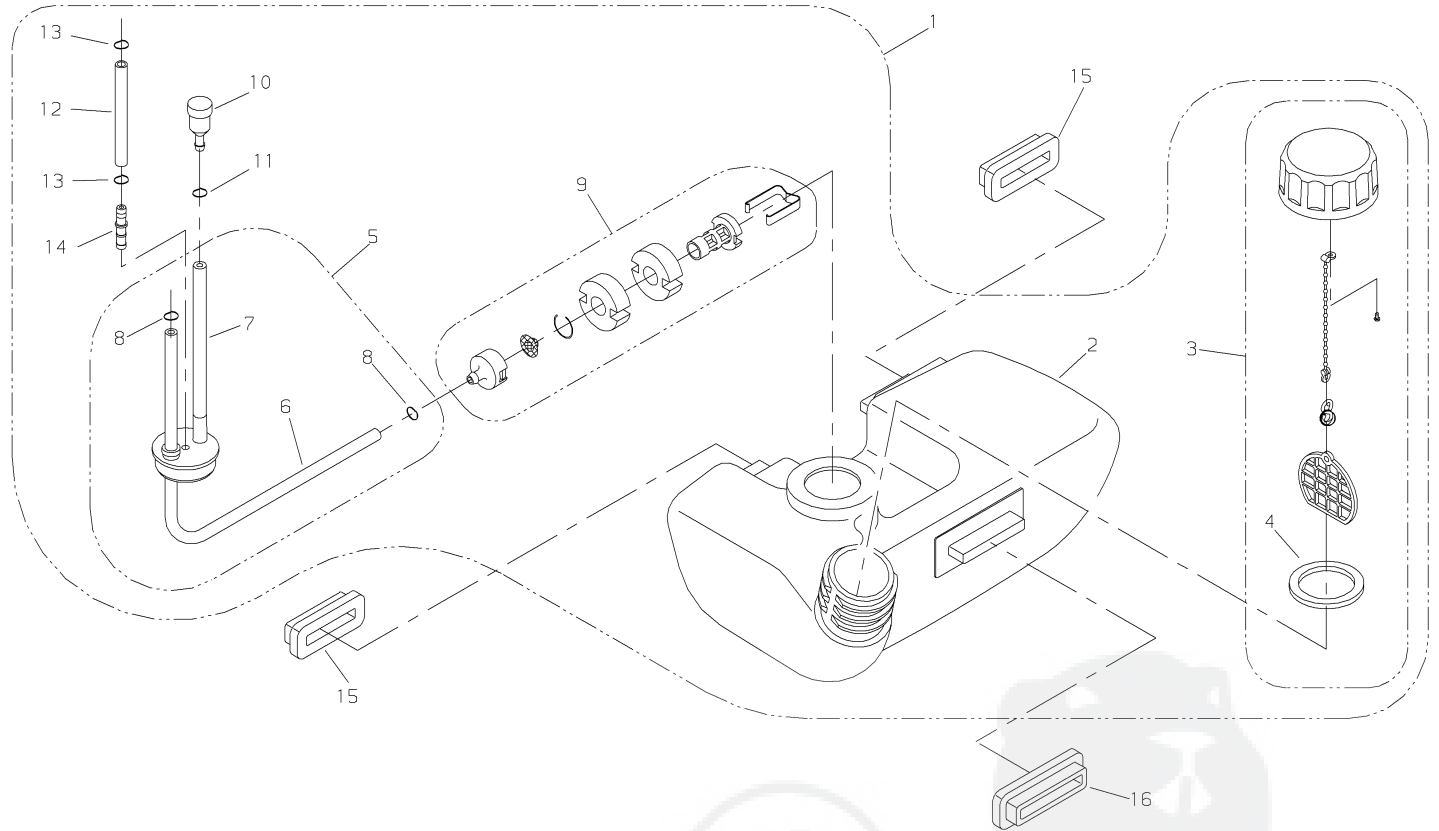


Ref. No	Part No.	Part Name	Q'ty
5- 1	62083-75010	RECOIL STARTER ASSEMBLY	1
2	62083-75110	*STARTER CASE	1
3	62083-75120	*REEL	1
4	62083-75130	*RECOIL SPRING	1
5	62083-75320	*RATCHET	1
6	62083-75330	*COIL SPRING	1
7	62083-75340	*POWER SPRING	1
8	62083-75350	*CAM PLATE	1
9	62083-75360	*SCREW PMPW	1
11	62083-75140	*ROPE	1
12	22104-75420	*KNOB RECOIL	1
13	20010-75210	*STOPPER	1
14	20112-75180	*SPACER	1
15	62083-75020	STARTER PULLEY ASSEMBLY	1
20	62083-75380	NUT	1
21	62083-75311	ADAPTER	1
22	11022-05250	BOLT SPW	4
23	11060-05163	BOLT ADHESIVE	3
24	19420-00027	LABEL TRADE	1



FUEL TANK

ILLUSTRATION 7 - REV 8/05

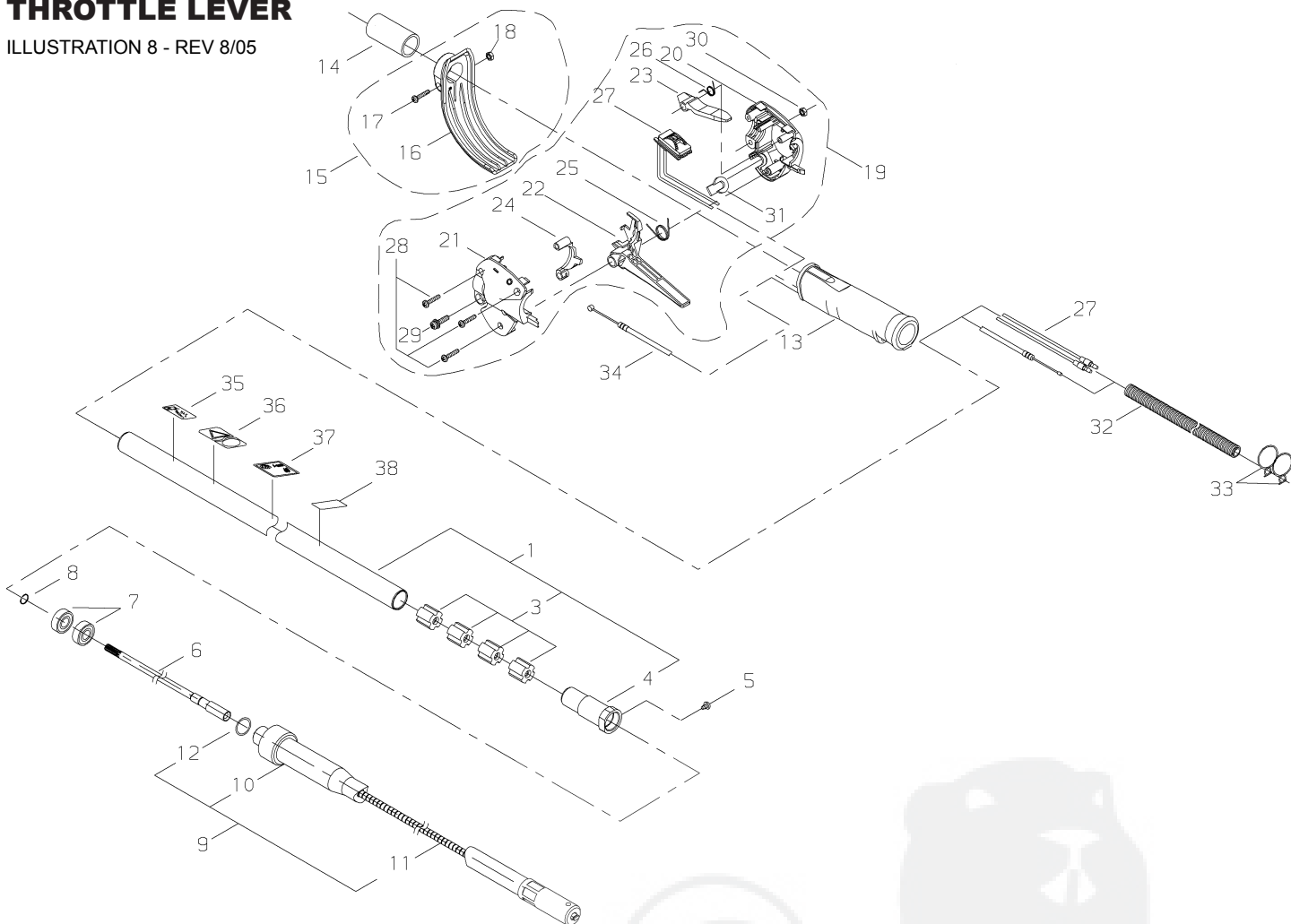


Ref. No	Part No.	Part Name	Q'ty
7- 1	62035-85013	FUEL TANK ASSEMBLY	1
2	62035-85111	*FUEL TANK	1
3	70168-85201	*FUEL CAP ASSEMBLY	1
4	20000-85221	**GASKET	1
5	62035-85031	*FUEL PIPE ASSEMBLY	1
6	62035-85310	**FUEL PIPE	1
7	62035-85321	**GROMMET	1
8	20020-85540	**CLIP	2
9	22169-35400	*FUEL FILTER SUB ASSEMBLY	1
10	22197-33960	*VALVE	1
11	20020-85540	*CLIP	1
12	20140-83311	*PIPE	1
13	20020-85540	*CLIP	2
14	72933-85620	*JOINT	1
15	62035-85341	TANK CUSHION	2
16	62035-85351	TANK CUSHION	1

\* Denotes item is part of an assembly \*\* Denotes item is part of a sub-assembly

## OUTER PIPE / THROTTLE LEVER

ILLUSTRATION 8 - REV 8/05

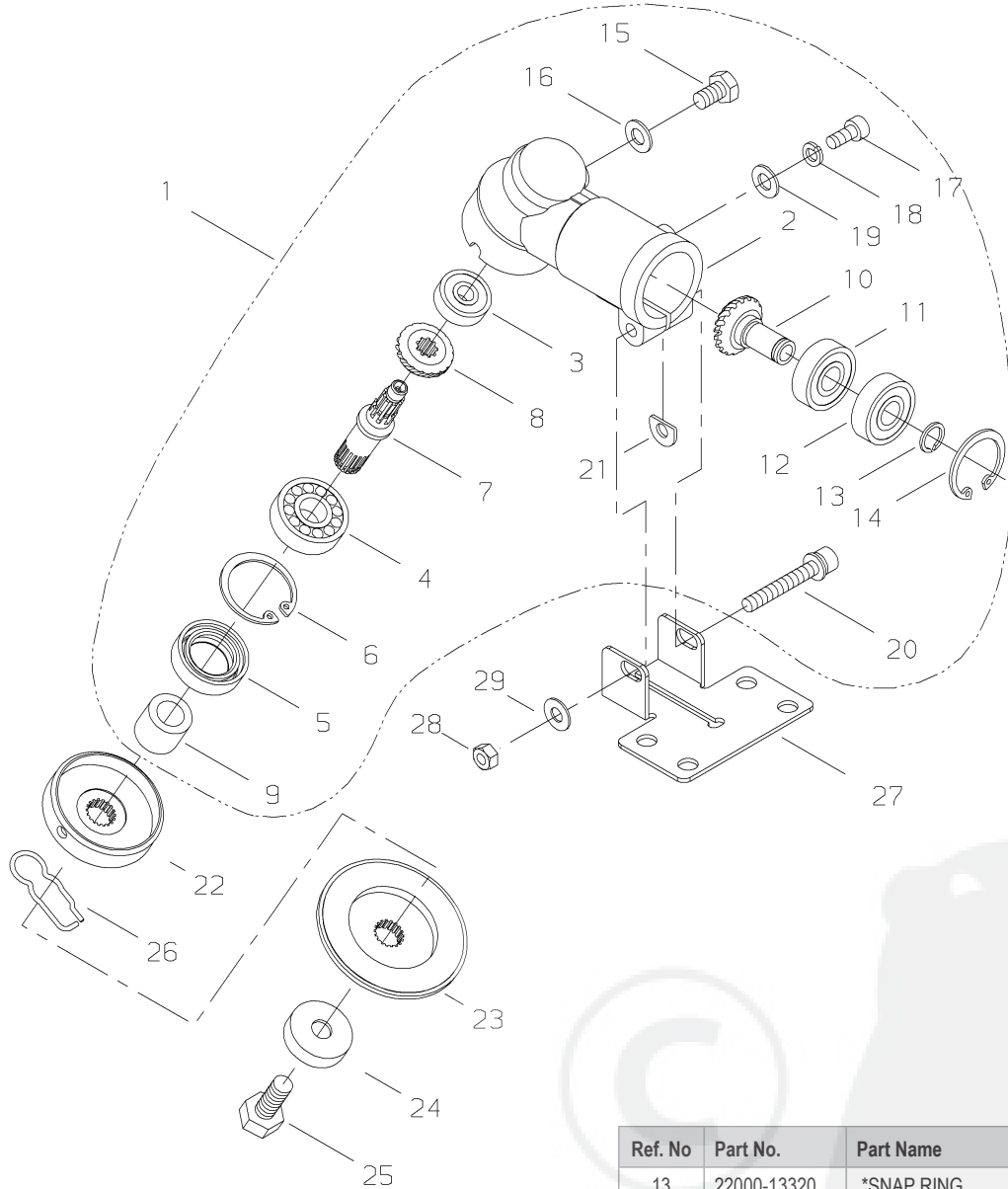


Ref. No	Part No.	Part Name	Q'ty
8-1	63049-62010	OUTER PIPE COMP	1
3	63049-62120	*BUSH	4
4	72517-12130	*JOINT PIPE	1
5	22056-12340	SCREW	1
6	63049-62210	MAIN SHAFT	1
7	02002-06900	BEARING	2
8	02430-10100	SNAP RING	1
9	63049-61010	FLEXIBLE CABLE ASSEMBLY	1
10	63049-61110	*FLEXIBLE PIPE	1
11	63049-61120	*FLEXIBLE SHAFT	1
12	22056-11140	*O-RING	1
13	63043-62140	GRIP	1
14	63000-62311	PROTECTOR	1
15	72517-62331	GUARD ASSEMBLY	1
16	72517-62341	*GUARD	1
17	11206-05250	*SCREW PMSPW	1
18	01500-05040	*NUT	1
19	63049-62310	THROTTLE LEVER ASSEMBLY	1
20	63043-62310	*BODY RIGHT	1

Ref. No	Part No.	Part Name	Q'ty
21	63000-62350	*BODY LEFT	1
22	63002-62340	*LEVER	1
23	63901-62352	*LOCK LEVER	1
24	63002-62350	*HOLDER	1
25	63880-65350	*COIL SPRING	1
26	63901-62370	*COIL SPRING	1
27	63049-62320	*SWITCH	1
28	63880-65360	*SCREW TAPPING	3
29	11206-05201	*SCREW PMSPW	1
30	01501-05030	*NUT	1
31	63880-65411	*PLUG	1
32	63049-62330	TUBE	1
33	63049-62340	HOLDER	2
34	63049-62170	THROTTLE CABLE	1
35	19402-00223	LABEL CAUTION	1
36	19422-00010	LABEL CAUTION	1
37	19404-00039	LABEL DECIBEL	1
38	72017-12150	HANDLE LABEL	1

GEAR CASE

ILLUSTRATION 9 - REV 8/05



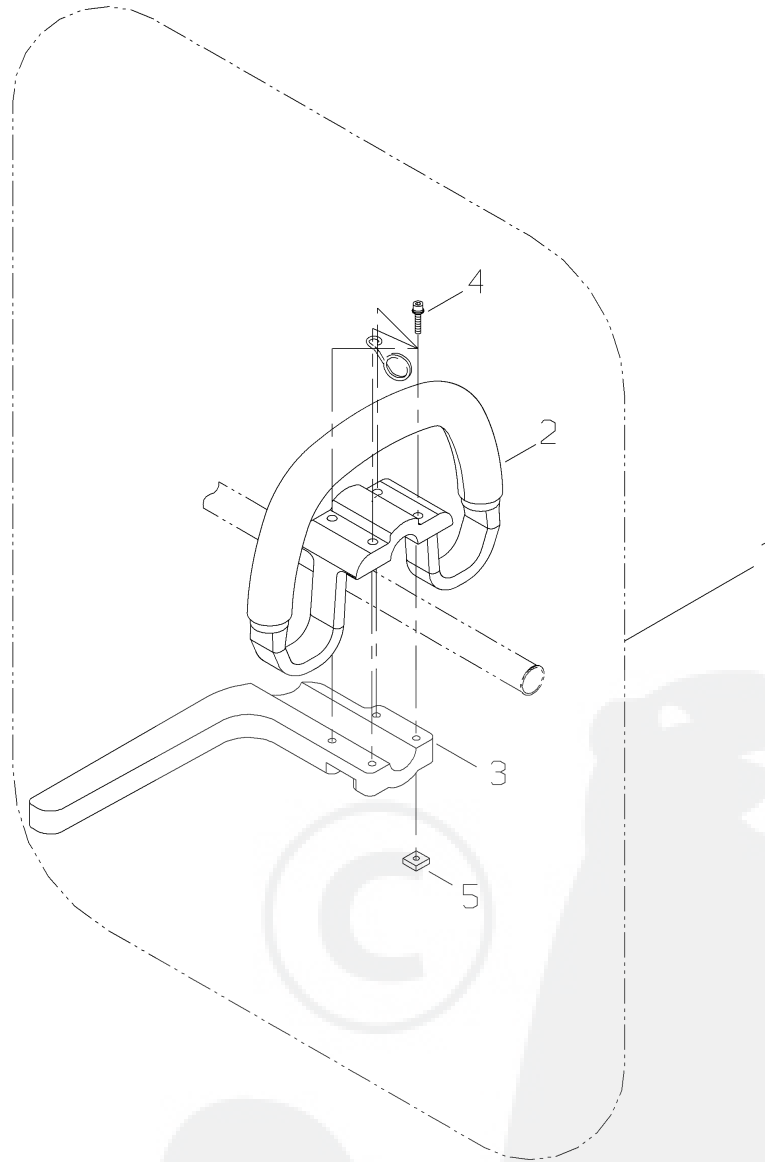
Ref. No	Part No.	Part Name	Q'ty
9- 1	72553-63020	GEARCASE COMP.	1
2	22044-13112	*GEARCASE	1
3	02006-06000	*BEARING	1
4	02000-06201	*BEARING	1
5	22000-13120	*OIL-SEAL	1
6	02432-32120	*SNAP RING	1
7	22000-13212	*GEAR SHAFT	1
8	22000-13220	*BEVEL GEAR	1
9	22000-13230	*COLLAR	1
10	22460-13391	*BEVEL PINION COMP.	1
11	02000-06000	*BEARING	1
12	02002-06000	*BEARING	1

Ref. No	Part No.	Part Name	Q'ty
13	22000-13320	*SNAP RING	1
14	02432-26120	*SNAP RING	1
15	22015-13410	*BOLT	1
16	22015-13420	*GASKET	1
17	01020-05120	*BOLT	1
18	01600-05131	*SPRING WASHER	1
19	01610-05080	*WASHER	1
20	11022-06400	*BOLT SPW	1
21	22011-13450	*SHIM	1
22	72553-63160	HOLDER	1
23	37019-63170	HOLDER	1
24	22000-13290	BOLT GUARD	1
25	22000-13512	BOLT	1
26	22000-13530	SLIDE PIN	1
27	72441-16130	LOWER CLAMP	1
28	01500-06051	NUT	1
29	01613-06100	WASHER	1

\* Denotes item is part of an assembly \*\* Denotes item is part of a sub-assembly

## HANDLE

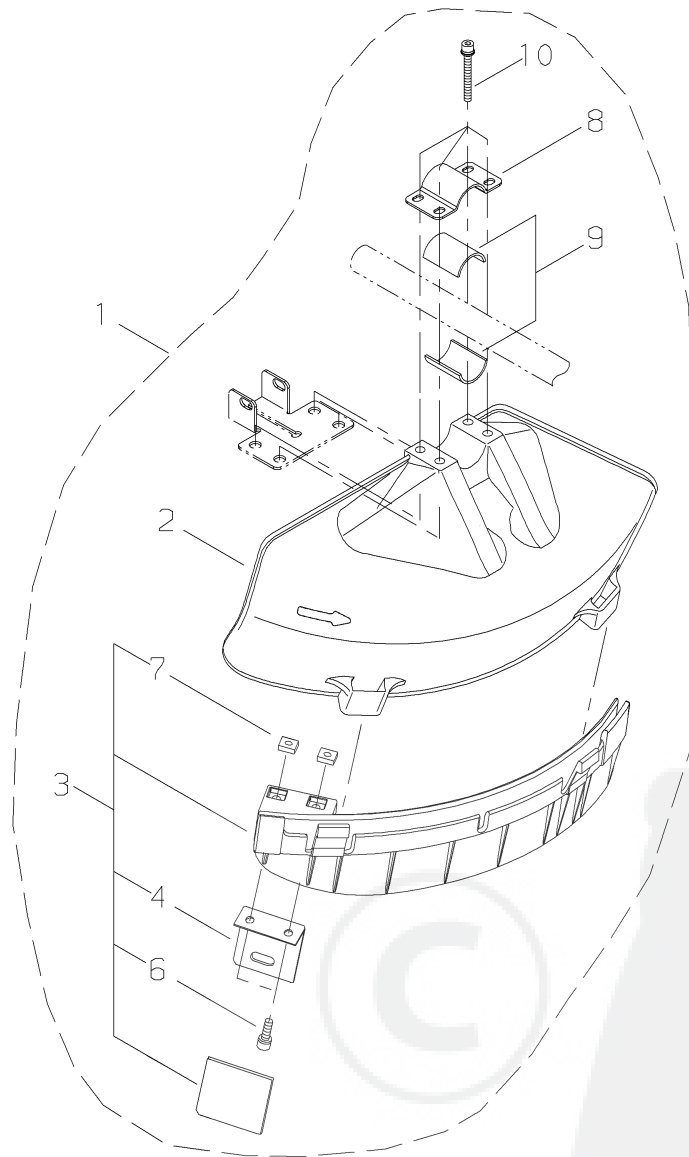
ILLUSTRATION 10 - REV 8/05



Ref. No	Part No.	Part Name	Q'ty
10- 1	62074-64011	HANDLE ASSEMBLY	1
2	62074-64111	*HANDLE	1
3	62074-64120	*BARRIER	1
4	11022-05350	*BOLT SPW	4
5	22420-16120	*NUT	4

**GUARD SET**

ILLUSTRATION 11 - REV 8/05

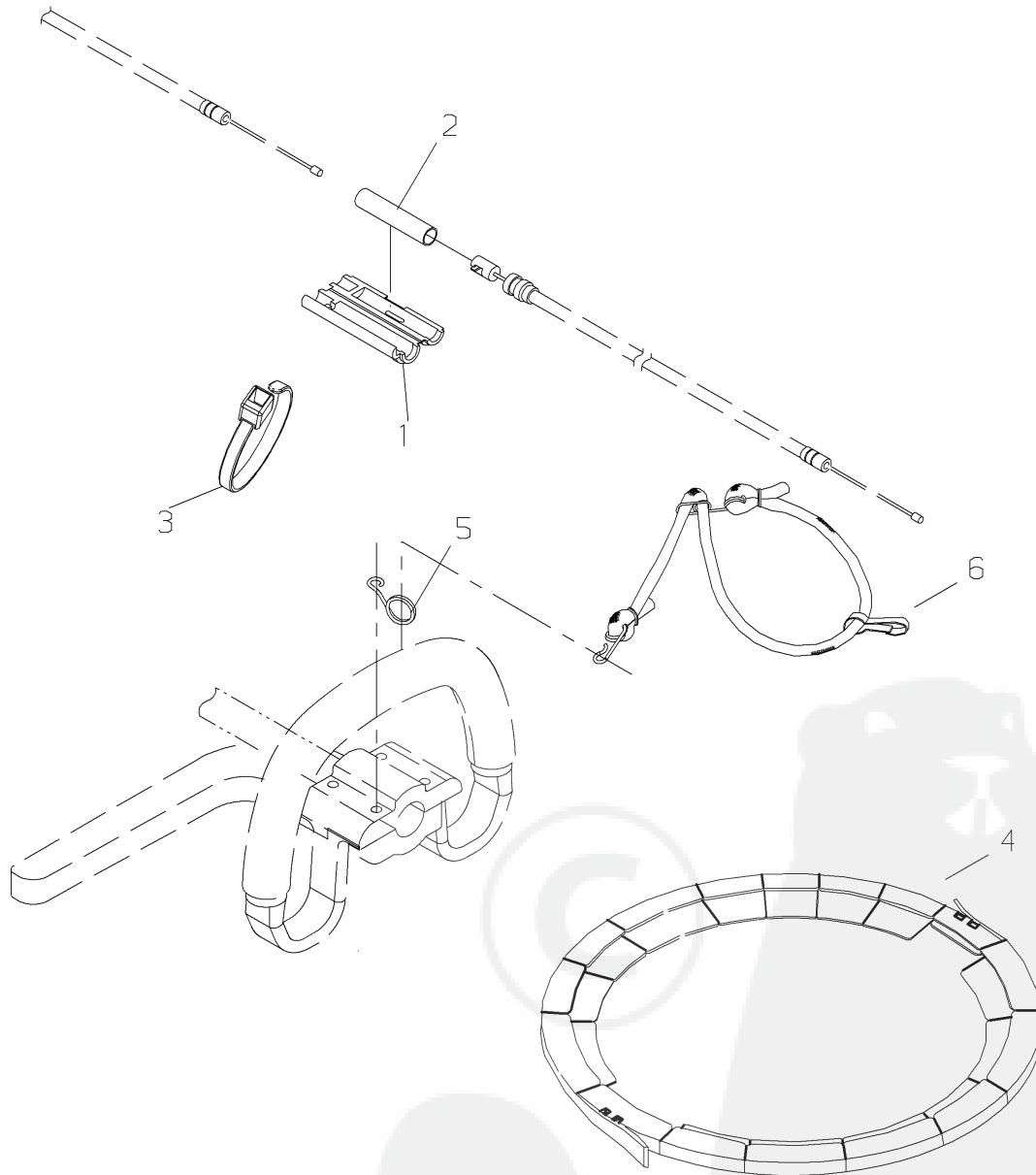


Ref. No	Part No.	Part Name	Q'ty
11- 1	64000-66310	GUARD SET	1
2	62903-66110	*GUARD	1
3	62903-66331	*SUB GUARD ASSEMBLY	1
4	72480-16121	**CUTTER	1
6	11020-05160	**BOLT SW	2
7	22420-16120	**NUT	2
8	72480-16210	*UPPER CLAMP	1
9	72441-16220	*SPACER	2
10	11022-05450	*BOLT SPW	4

\* Denotes item is part of an assembly \*\* Denotes item is part of a sub-assembly

## CONNECTOR

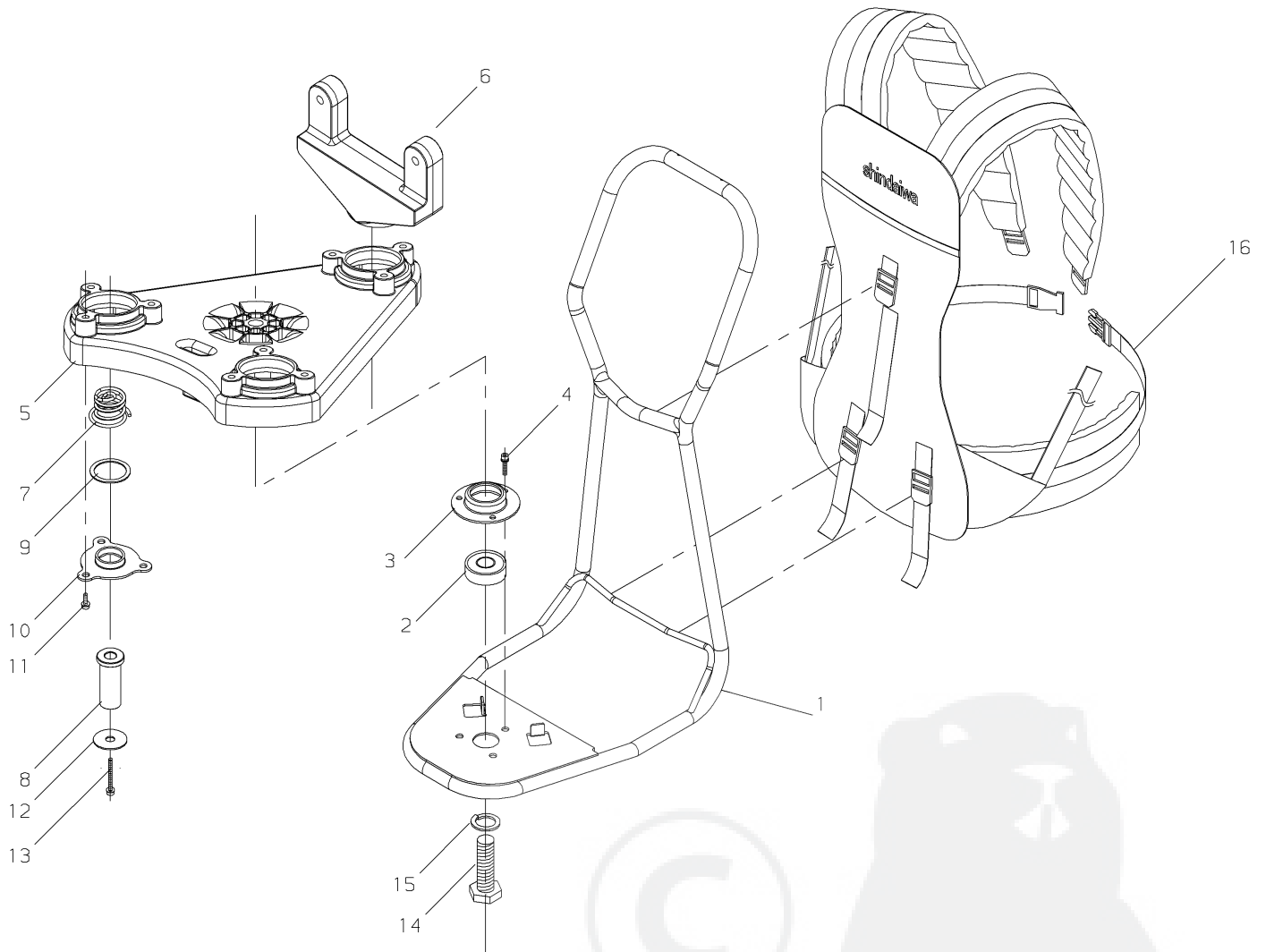
ILLUSTRATION 13 - REV 8/05



Ref. No	Part No.	Part Name	Q'ty
13- 1	72550-82120	CONNECTOR	1
2	20037-82130	SLEEVE	1
3	15210-14300	BAND	1
4	22550-92310	BLADE COVER	1
5	20024-83152	CABLE HOLDER	1
6	32003-86130	ROPE	1

FRAME

ILLUSTRATION 14 - REV 8/05

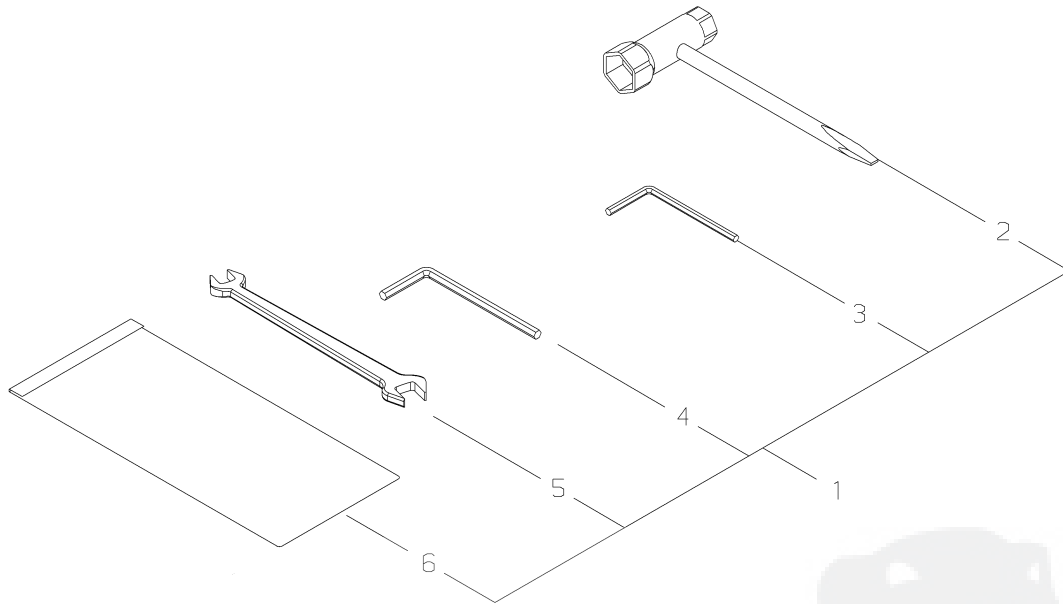


Ref. No	Part No.	Part Name	Q'ty
14- 1	62083-86110	FRAME	1
2	02006-06202	BEARING	1
3	62083-86310	BEARING COVER	1
4	11022-05160	BOLT SPW	3
5	62083-87110	BRACKET	1
6	62083-87310	BRACKET	1
7	17503-39901	SPRING	3
8	15401-10203	COLLAR	3
9	62083-87320	COLLAR	3
10	62083-87330	COVER	3
11	11022-05160	BOLT SPW	9
12	15401-20011	COLLAR	3
13	11020-05500	BOLT SW	3
14	01010-10350	BOLT	1
15	01600-10251	SPRING WASHER	1
16	62083-86121	PAD	1

\* Denotes item is part of an assembly \*\* Denotes item is part of a sub-assembly

## TOOL SET

ILLUSTRATION 12 - REV 8/05



Ref. No	Part No.	Part Name	Q'ty
12- 1	64100-92310	TOOL SET	1
2	22000-91181	*PLUG WRENCH	1
3	09026-04001	*HEX WRENCH 5MM	1
4	09026-05001	*HEX WRENCH 6MM	1
5	22000-91120	*SPANNER	1
6	19639-01400	*TOOL BAG	1







**shindaiwa**

[www.shindaiwa.com](http://www.shindaiwa.com)

11975 SW Herman Road, Tualatin, Oregon 97062, U.S.A.

1 + 503.692.3070 • fax 1 + 503.692.6696 •

Item #xxxx Effective 08/05