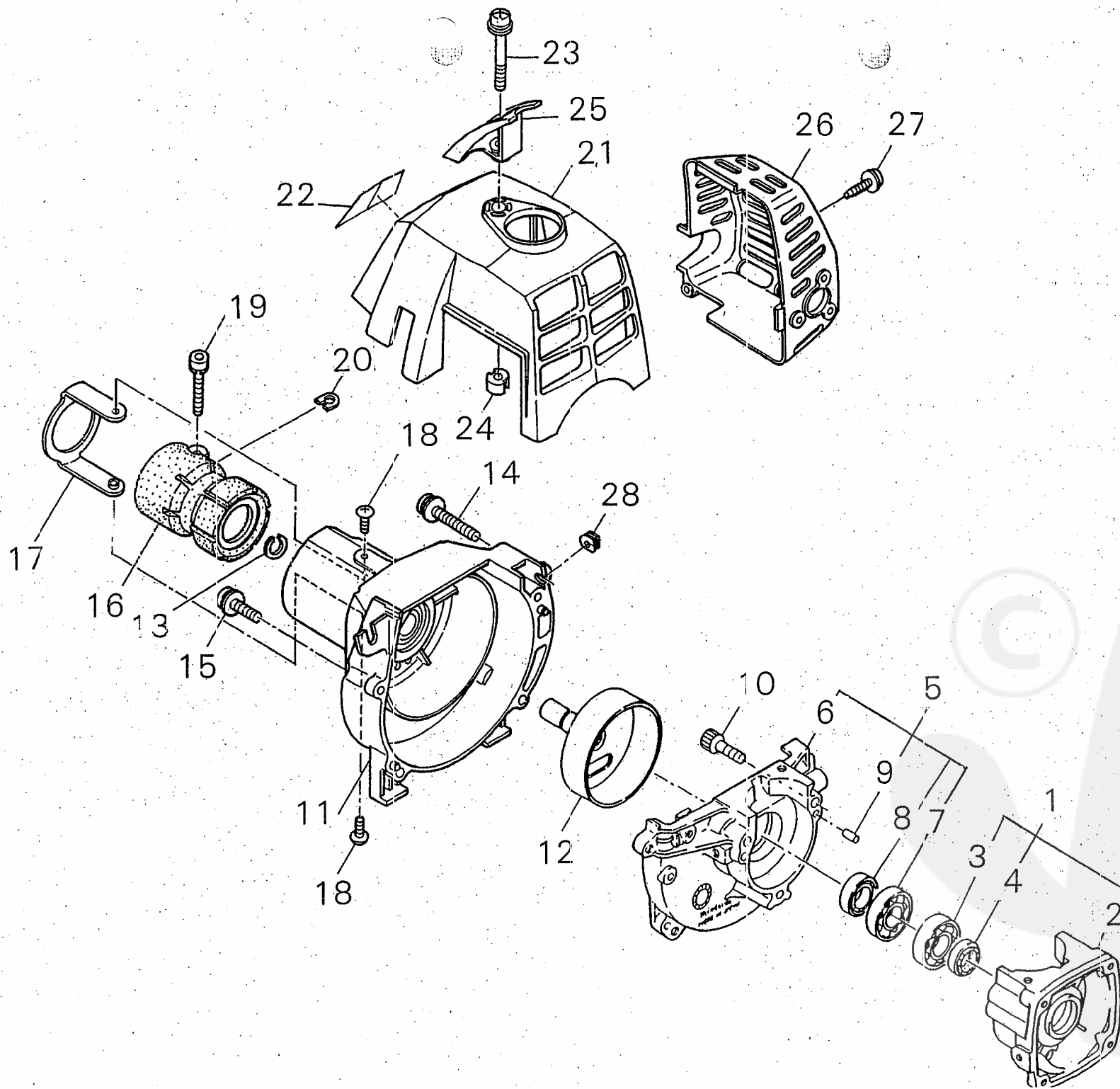


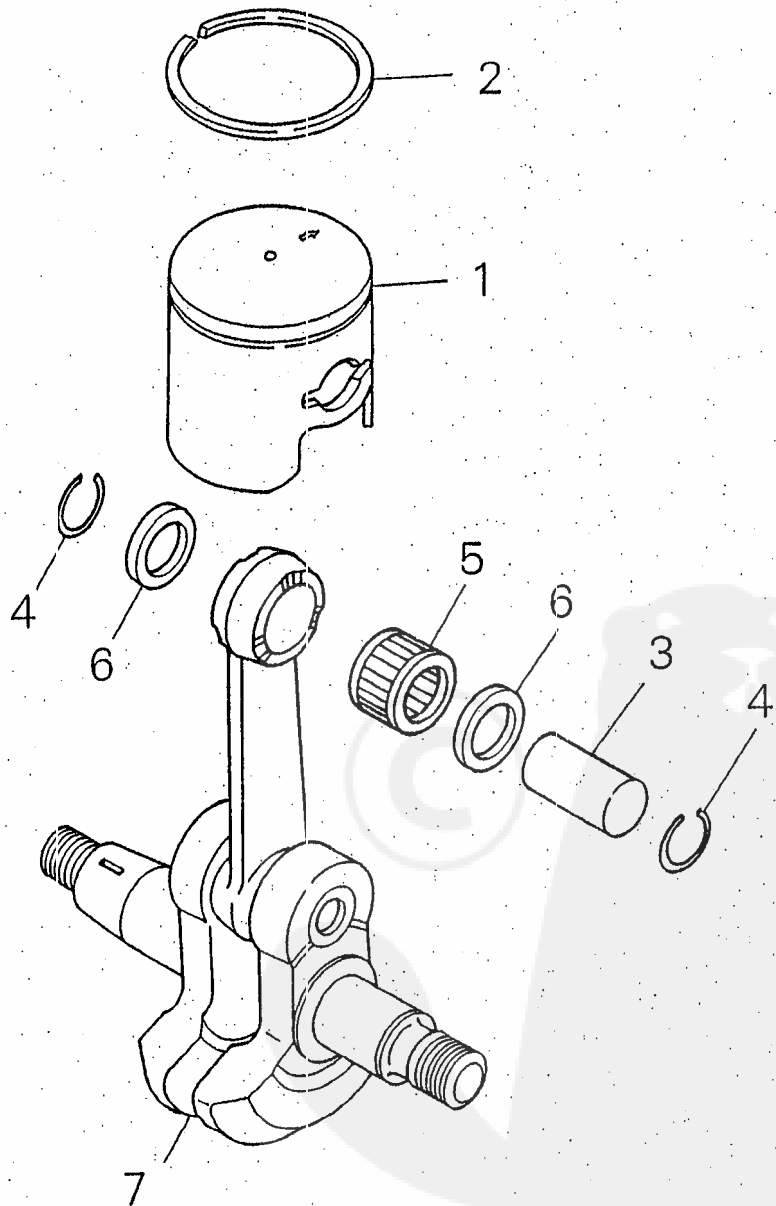
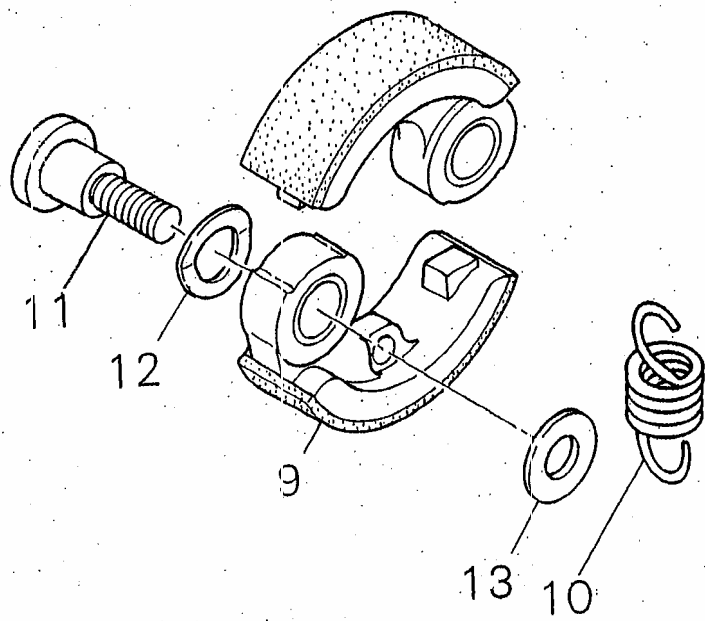
PRICE:(¥)

Ref. No	Part No.	Part Name	Qty	emarks
1- 1	20142-12110	CYLINDER	1	
2	20016-12120	GASKET	1	
3	11022-05250	BOLT SPW	2	
4	20140-12210	INSULATOR	1	
5	20140-12220	GASKET	1	
6	20011-12260	NUT	2	
7	11022-05250	BOLT SPW	2	
8	20142-15110	MUFFLER	1	
9	20140-15120	GASKET	1	
10	01020-05400	BOLT	2	
11	01610-05080	WASHER	2	



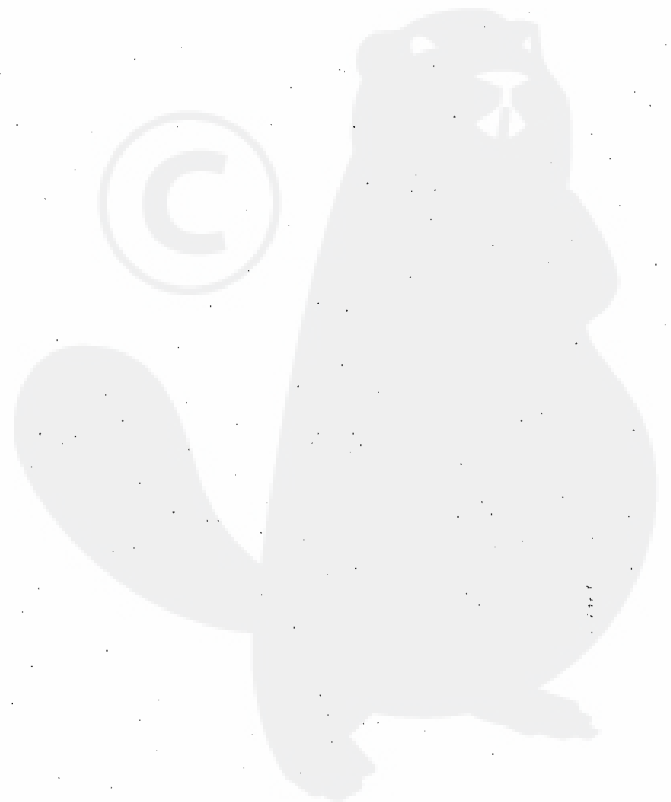
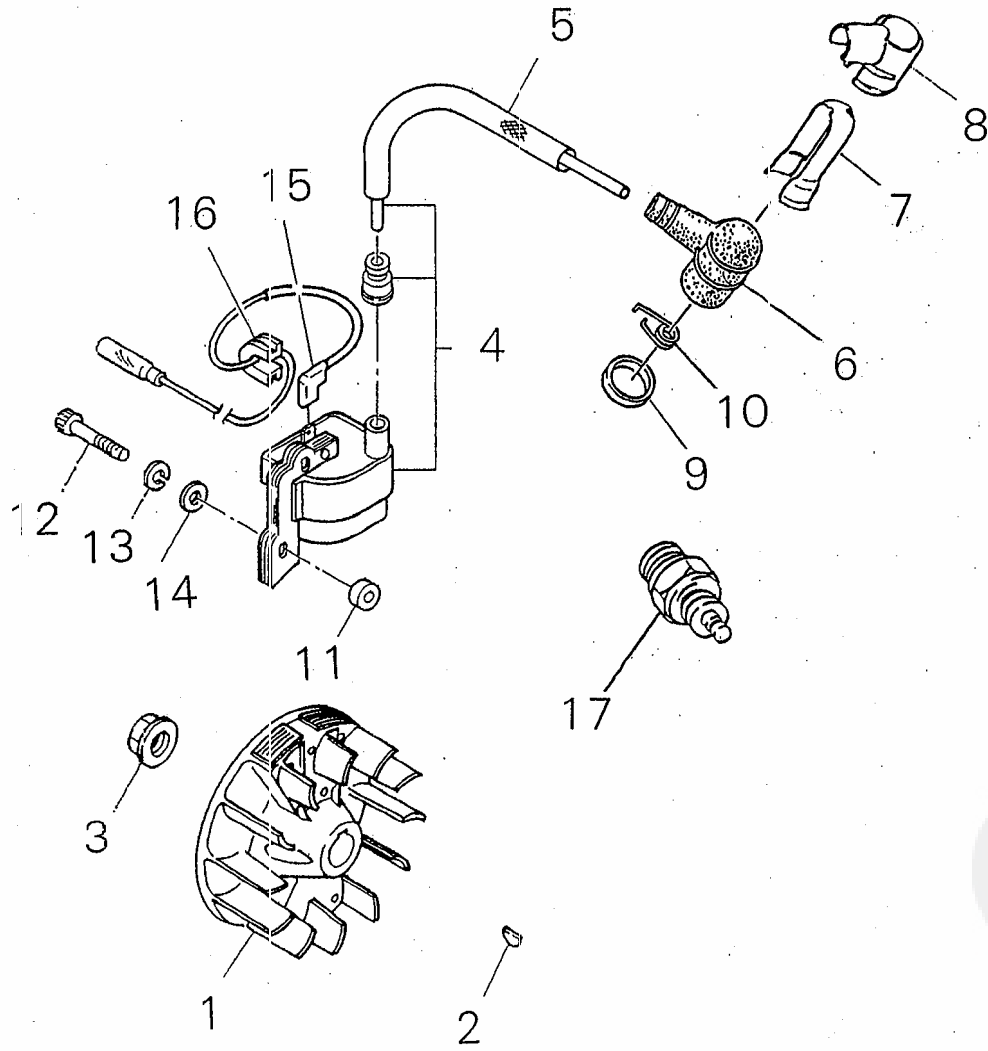
PRICE:(¥)

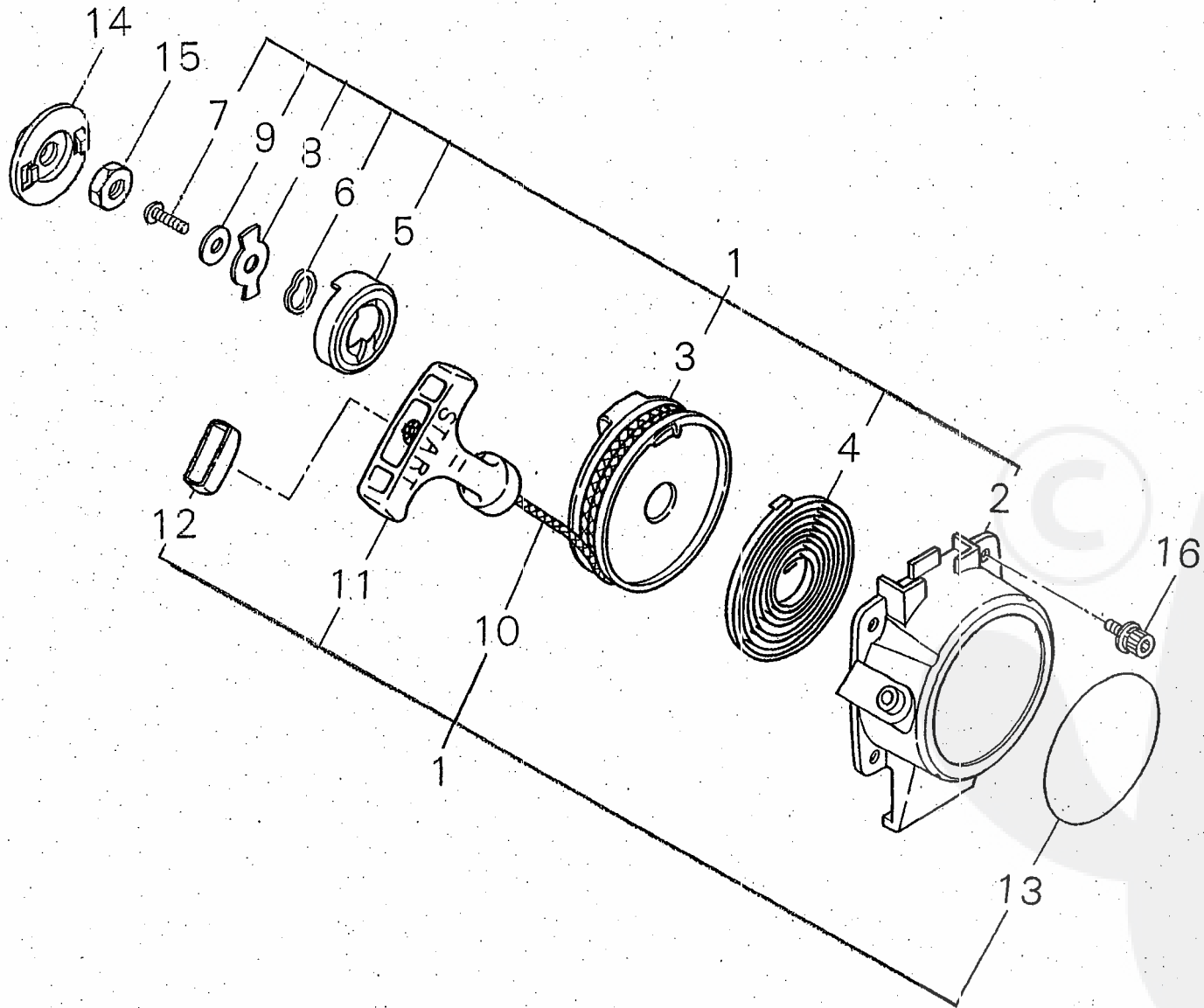
Ref. No	Part No.	Part Name	Q'ty	Remarks
2- 1	20035-21100	CRANK CASE S COMP	1	
2	20036-21111	• CRANK CASE S	1	
3	12900-60010	• BEARING	1	
4	22150-21250	• OIL SEAL	1	
5	20140-21200	CRANK CASE M COMP	1	
6	20036-21123	• CRANK CASE M	1	
7	12900-60010	• BEARING	1	
8	20000-21211	• OIL SEAL	1	
9	12492-40080	• ROLLER	2	
10	01020-05250	BOLT	3	
11	20142-3111 ² 1	FAN COVER	1	
12	20016-31212	CLUTCH DRUM	1	
13	20000-31140	SNAP RING	1	
14	11206-05300	SCREW PM SPW	3	
15	11206-05160	SCREW PM SPW	1	
16	20087-31410	JOINT	1	
17	20142-31420	STOPPER	1	
18	11260-04081	SCREW ADHESIVE	2	
19	11020-05220	BOLT SW	1	
20	20018-31460	SHIM	1	
21	20140-32110	CYLINDER COVER	1	
22	67000-91021	LABEL TRADE	1	
23	20140-31250	SCREW PM SLPW	1	
24	20140-31260	INSULATOR	1	
25	20140-34112	PROTECTOR	1	
26	20142-32211	MUFFLER COVER	1	
27	22160-32210	SCREW PC	1	
28	20011-72120	GROMMET	1	



PRICE: (¥)

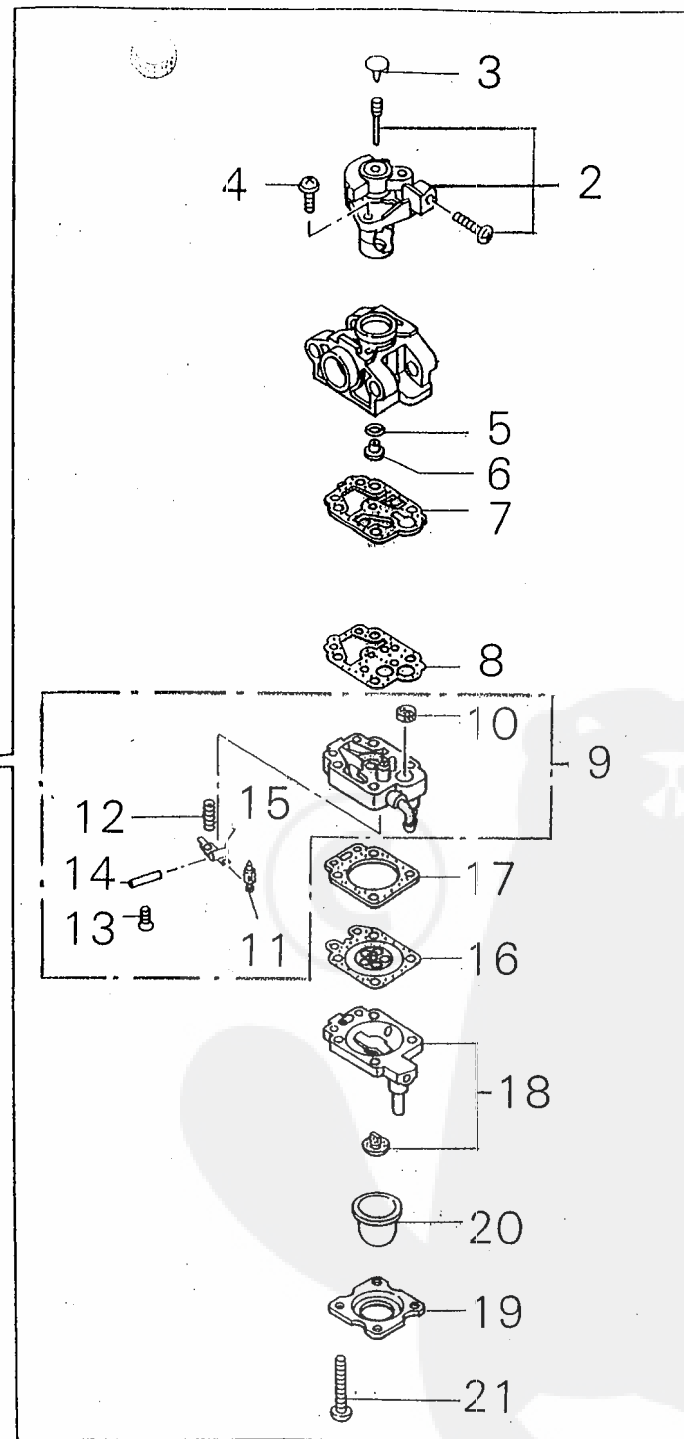
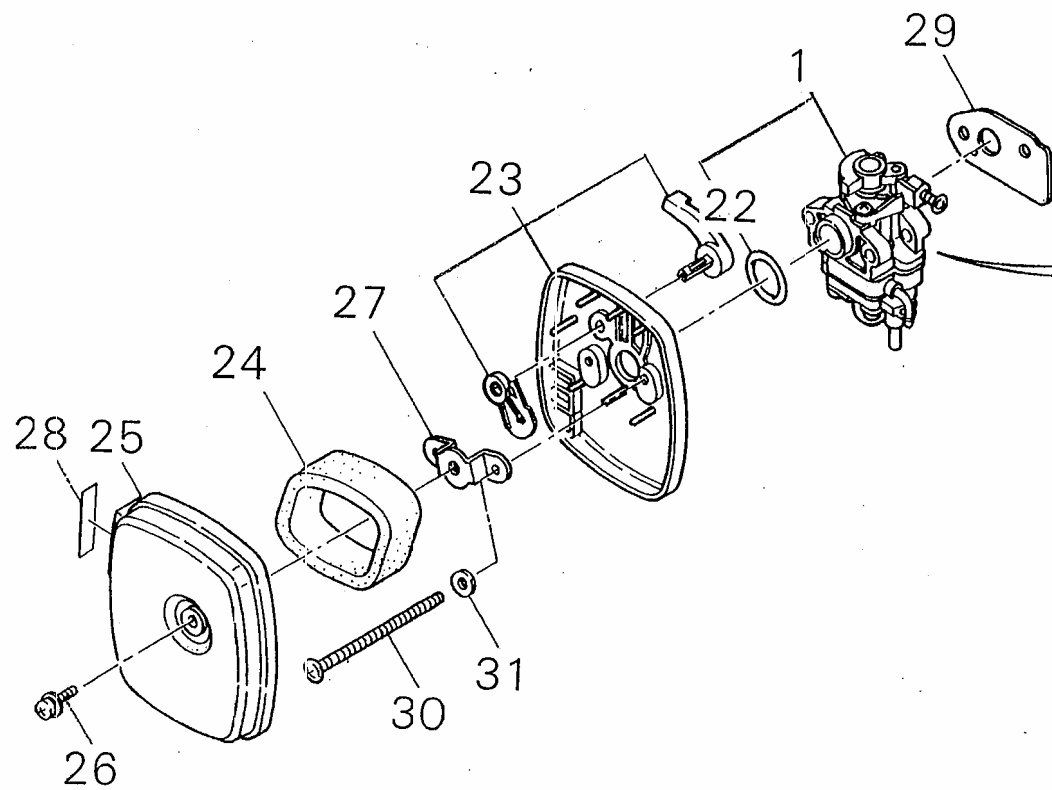
Ref. No	Part No.	Part Name	Q'ty	Remarks
3- 1	20142-41110	PISTON	1	
2	20142-41210	PISTON RING	1	
3	20142-41310	PISTON PIN	1	
4	70030-41320	SNAP RING	2	
5	67000-41230	NEEDLE BEARING	1	
6	20016-41340	THRUST WASHER	2	
7	67000-42010	CRANK SHAFT	1	
9	20035-51111	CLUTCH SHOE	2	
10	20035-51221	CLUTCH SPRING	1	
11	20142-51210	BOLT	2	
12	20087-51231	SPRING PLATE	2	
13	22100-71430	WASHER	2	





PRICE:(¥)

Ref. No.	Part No.	Part Name	Q'ty	Remarks
5-1	20140-75100	RECOIL STARTER SUB ASSY	1	
2	20140-75110	• STARTER CASE	1	
3	20140-75120	• REEL	1	
4	20140-75130	• SPRING	1	
5	20140-75140	• DOG	1	
6	20140-75150	• BRAKE SPRING	1	
7	20140-75160	• BOLT	1	
8	20140-75170	• RETAINER	1	
9	20140-75180	• WASHER	1	
10	70064-75190	• ROPE	1	
11	70064-75211	• HANDLE	1	
12	70064-75220	• STOPPER	1	
13	70064-75250	• NAME PLATE	1	
14	20140-75310	STARTER PULLEY	1	
15	01511-08051	NUT	1	
16	11024-04120	BOLT SPW	4	

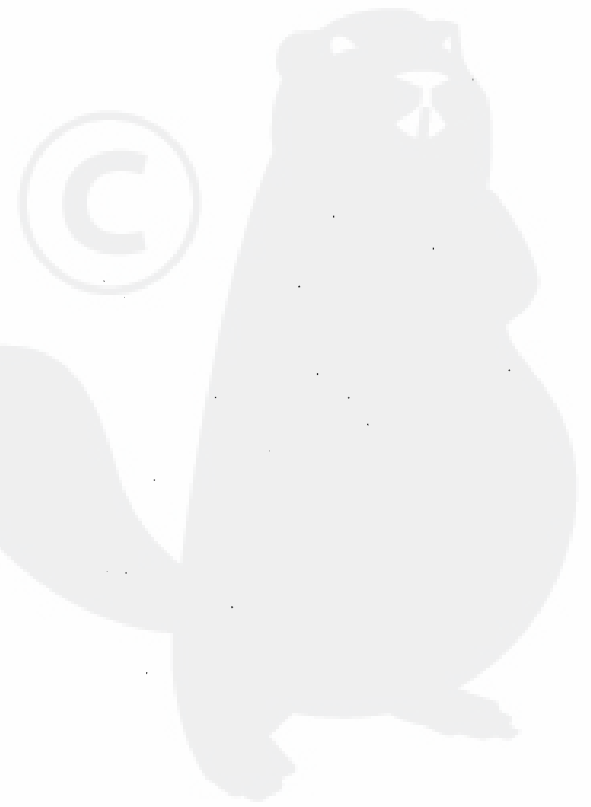
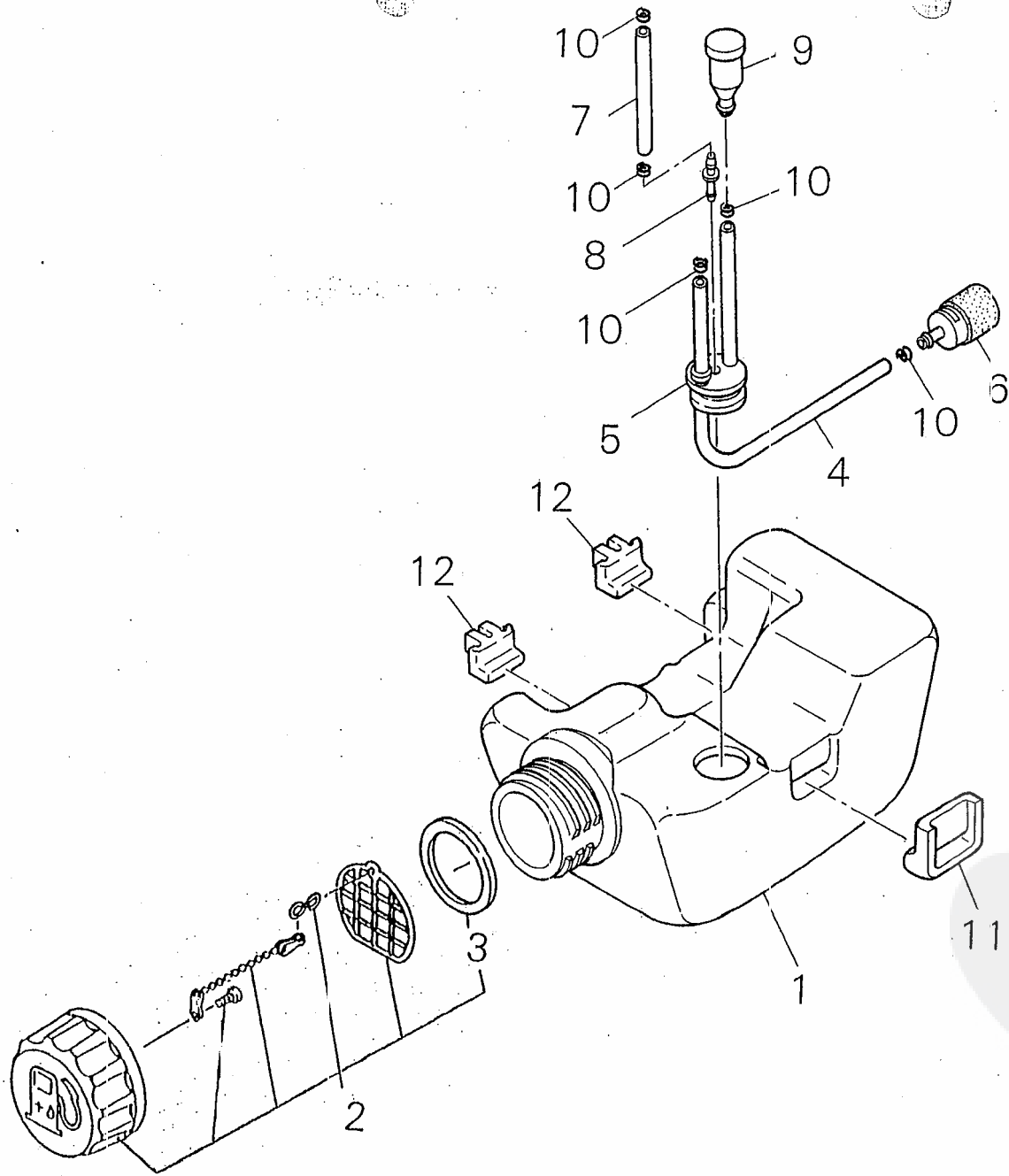


PRICE: (¥)

Ref. No	Part No.	Part Name	Q'ty	emarks
6- 1	20140-81000	CARBURETOR	1	
2	20016-81180	• VALVE ASSY	1	
3	22154-81270	• PLUG	1	
4	70064-81290	• SCREW	1	
5	70097-81220	• O RING	1	
6	20140-81230	• MAIN JET	1	
7	70097-81310	• GASKET PUMP	1	
8	70097-81320	• DIAPHRAGM	1	
9	72933-81411	• PUMP BODY ASSY	1	
10	70030-81380	•• SCREEN	1	
11	20036-81440	•• NEEDLE VALVE	1	
12	72933-81270	•• SPRING	1	
13	20016-81450	•• SCREW	1	
14	22100-81250	•• PIN	1	
15	22100-81230	•• LEVER	1	
16	22100-81260	• DIAPHRAGM ASSY	1	
17	20016-81280	• GASKET	1	
18	20016-81420	• PUMP BASE COMP	1	
19	20016-81510	• PUMP COVER	1	
20	20036-81670	• PRIMER PUMP	1	
21	20016-81140	• SCREW	1	
22	20016-81250	• O RING	1	
23	20140-81700	CLEANER BODY SUB ASSY	1	
24	20140-82210	FILTER	1	
25	20140-81790	CLEANER COVER	1	
26	20140-81810	SCREW	1	
27	20018-81721	BACK PLATE	1	
28	19404-00008	LABEL CHOKE	1	
29	20140-81350	GASKET	1	
30	11203-05658	SCREW PM	2	
31	01610-05080	WASHER	2	

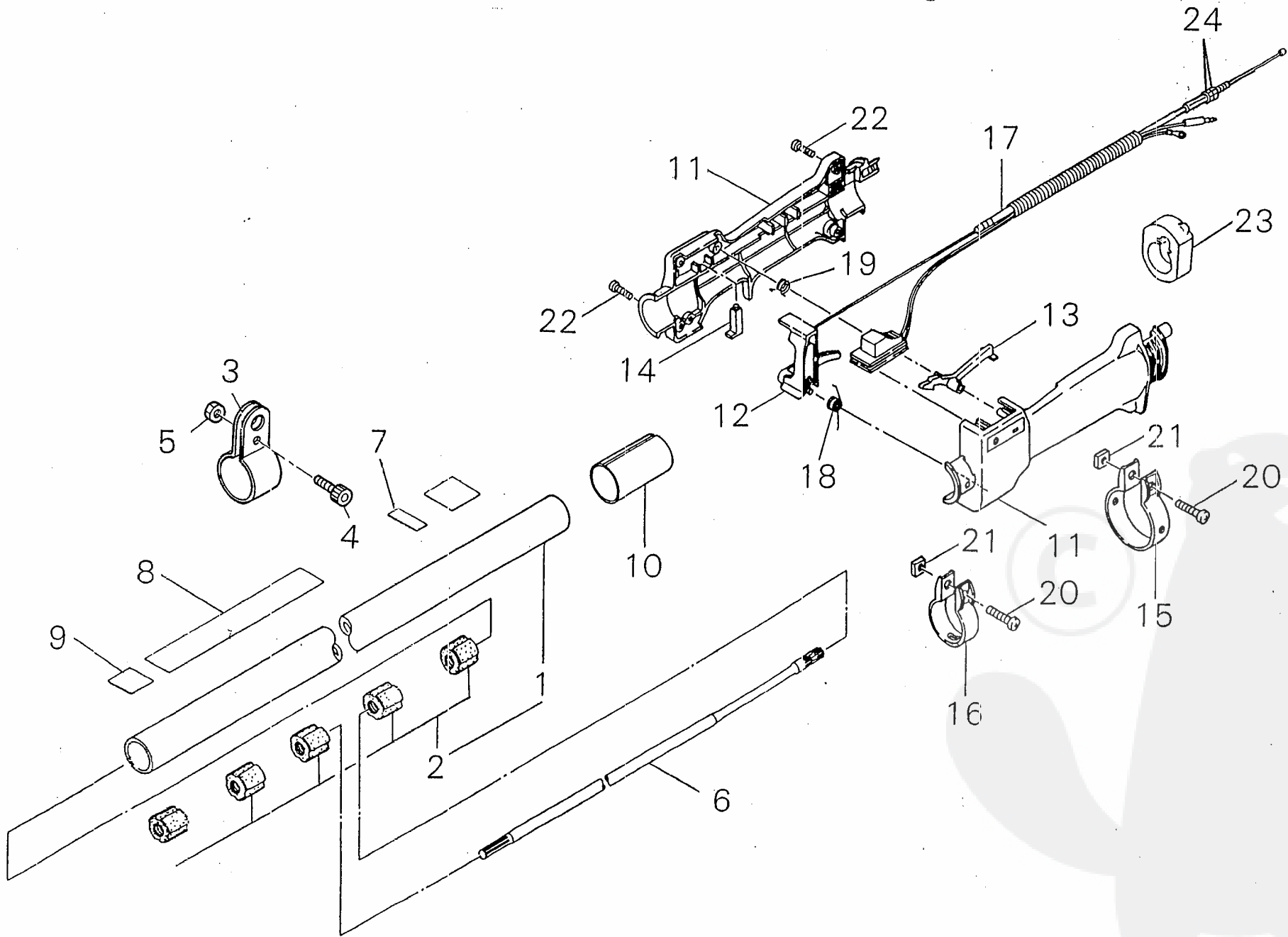
PARTS LIST
SHINDAIWA
(LI38 LIA0380P)

T220/22T-CE



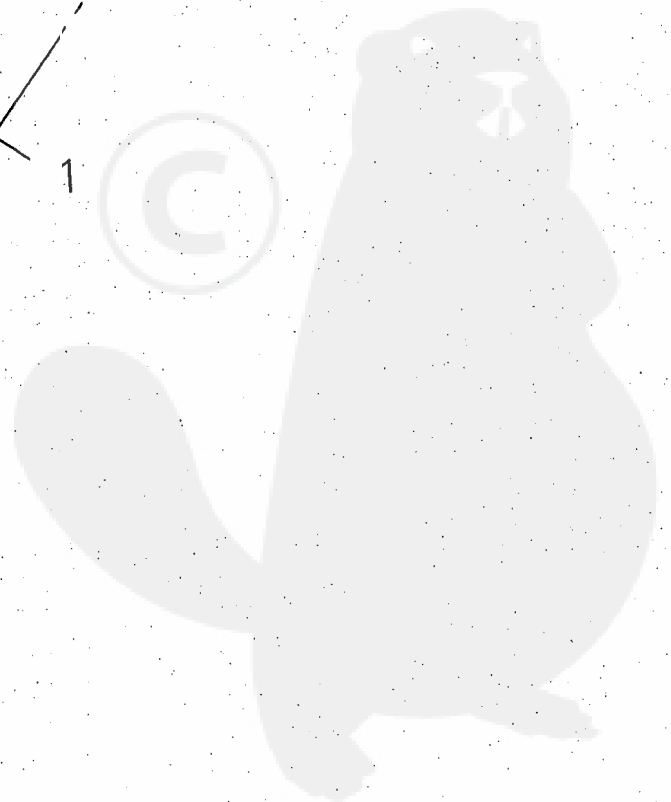
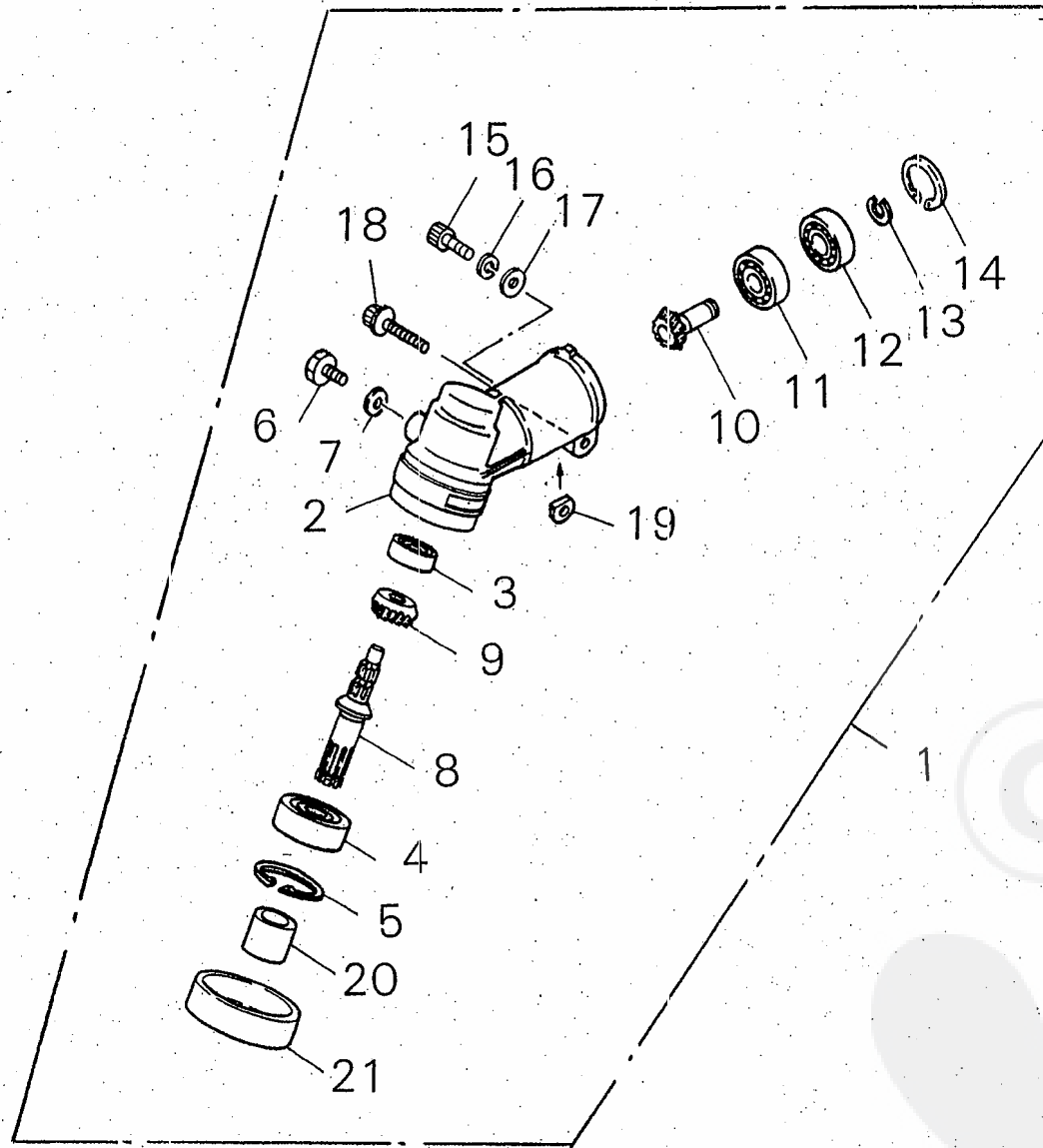
PRICE:(¥)

Ref. No	Part No.	Part Name	Q'ty	Remarks
7- 1	20142-85111	FUEL TANK	1	
2	70168-85201	FUEL CAP ASSY	1	
3	20000-85221	GASKET	1	
4	20110-85320	FUEL PIPE	1	
5	20087-85350	GROMMET	1	
6	20016-85400	FUEL FILTER	1	
7	20140-83311	PIPE	1	
8	72933-85620	JOINT	1	
9	20035-85522	VALVE	1	
10	20020-85540	CLIP	5	
11	20087-86130	TANK SNUSHION	1	
12	20087-86141	TANK CUSHION	2	



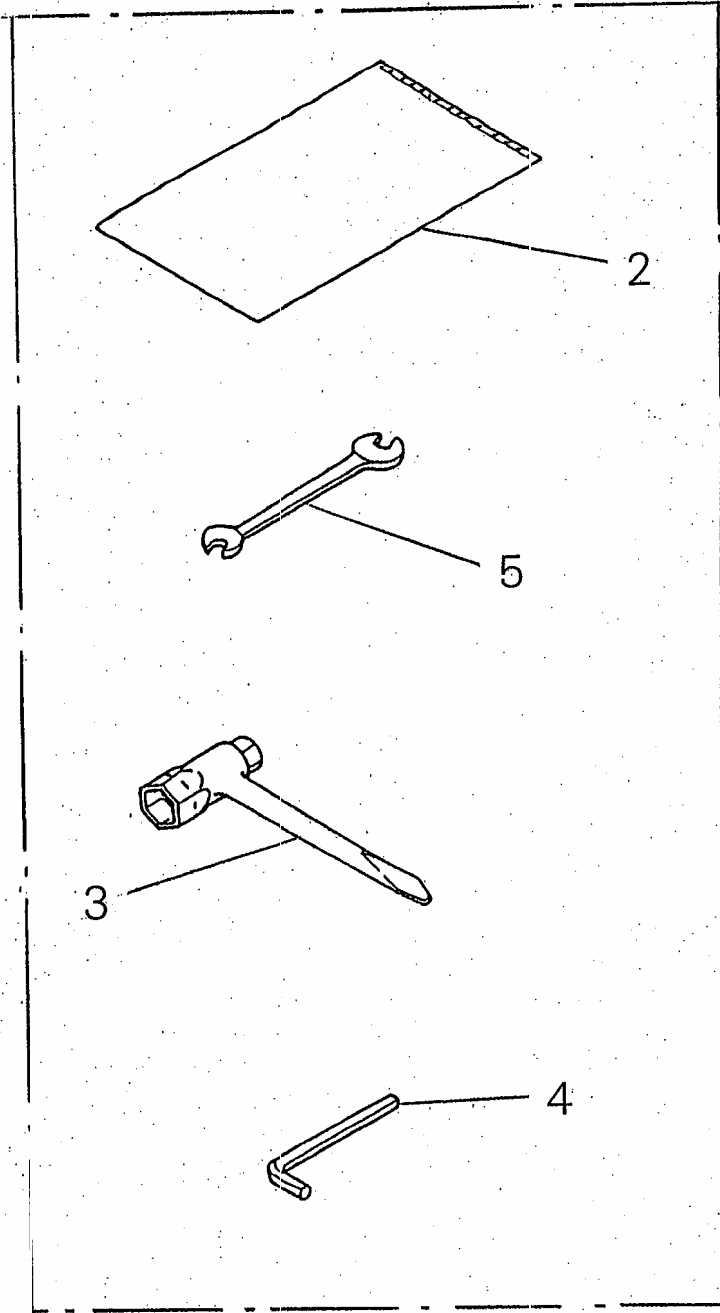
PRICE:(¥)

Ref. No.	Part No.	Part Name	Q'ty	Remarks
8-	1	22554-12101	OUTER PIPE COMP	1
	2	22410-12120	BUSH	5
	3	22410-12210	HANGER	1
	4	01020-05120	BOLT	1
	5	01500-05041	NUT	1
	6	22070-12410	MAIN SHAFT	1
	7	72017-12150	HANDLE LABEL	1
	8	19422-00010	LABEL CAUTION	1
	9	19402-00084	LABEL CAUTION	1
	10	22036-14130	SPACER	1
		63002-62160	THROTTLE LEVER ASSY	1
	11	72511-12800	BODY SUB ASSY	1
	12	72430-12730	LEVER	1
	13	72430-12740	LOCK LEVER	1
	14	72451-14550	BUTTON	1
	15	72451-14560	CLAMP	1
	16	72430-12750	CLAMP	1
	17	63002-62310	THROTTLE CABLE COMP	1
	18	72451-14580	RETURN SPRING	1
	19	72451-14590	SPRING	1
	20	11203-06200	SCREW	2
	21	72451-14610	NUT	2
	22	72451-14620	SCREW TAPPING	4
	23	72511-12190	HOLDER	1
	24	01501-06041	NUT	2



PRICE:(¥)

Ref. No	Part No.	Part Name	Q'ty	Remarks
9- 1	22553-13010	GEAR CASE SUB ASSY	1	
2	22035-13112	• GEAR CASE	1	
3	02000-00626	• BEARING	1	
4	02006-06000	• BEARING	1	
5	02432-26120	• SNAP RING	1	
6	01014-06100	• BOLT	1	
7	22000-13410	• GASKET	1	
8	22410-13210	• GEAR SHAFT	1	
9	22550-13220	• BEVEL GEAR	1	
10	22550-13390	• PINION SET	1	
11	02000-00608	• BEARING	1	
12	02002-00608	• BEARING	1	
13	22035-13340	• SNAP RING	1	
14	02432-22100	• SNAP RING	1	
15	01020-05120	• BOLT	1	
16	01600-05131	• SPRING WASHER	1	
17	01610-05080	• WASHER	1	
18	11023-05250	• BOLT SW	1	
19	22000-13420	• SHIM	1	
20	72432-13230	COLLER	1	
21	72432-13240	HOLDER	1	



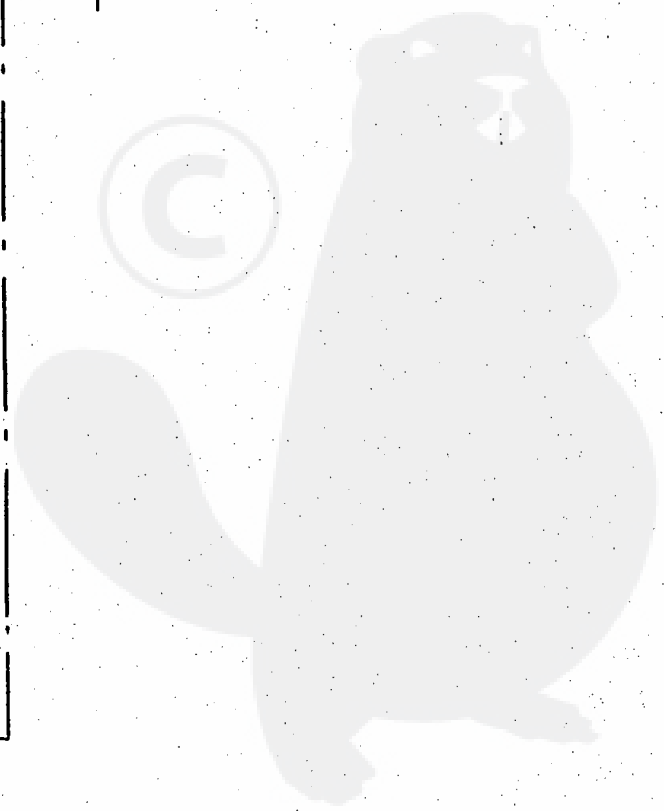
1

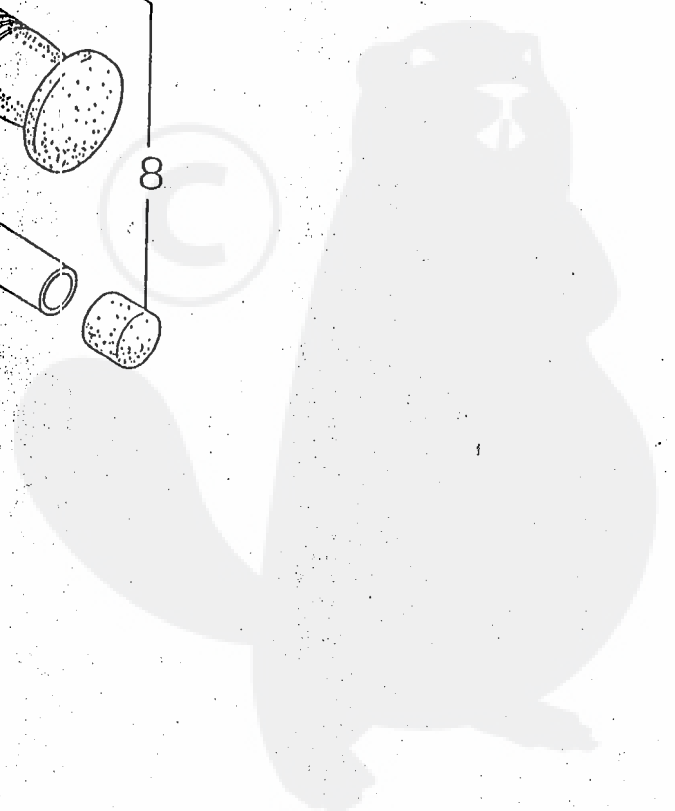
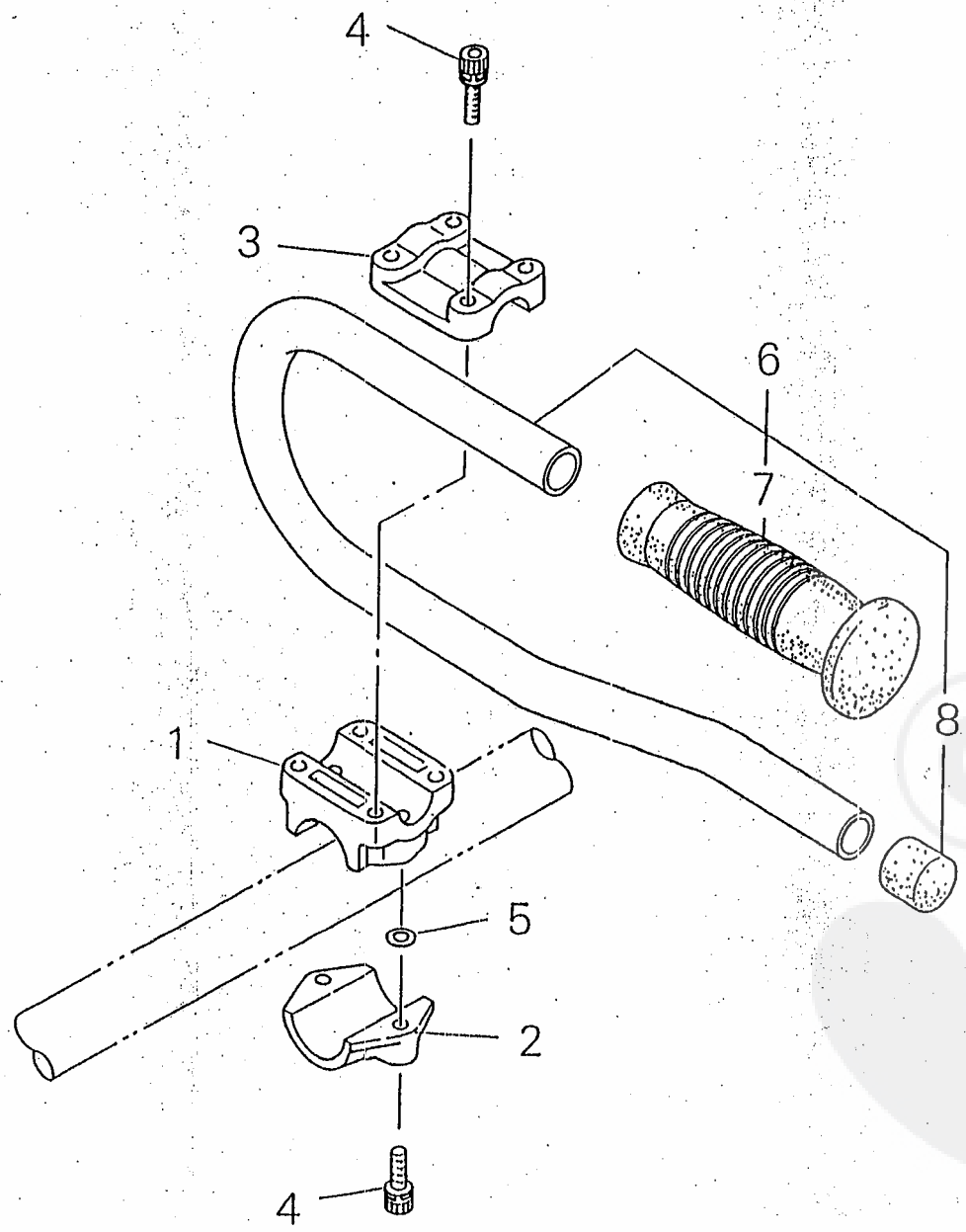
2

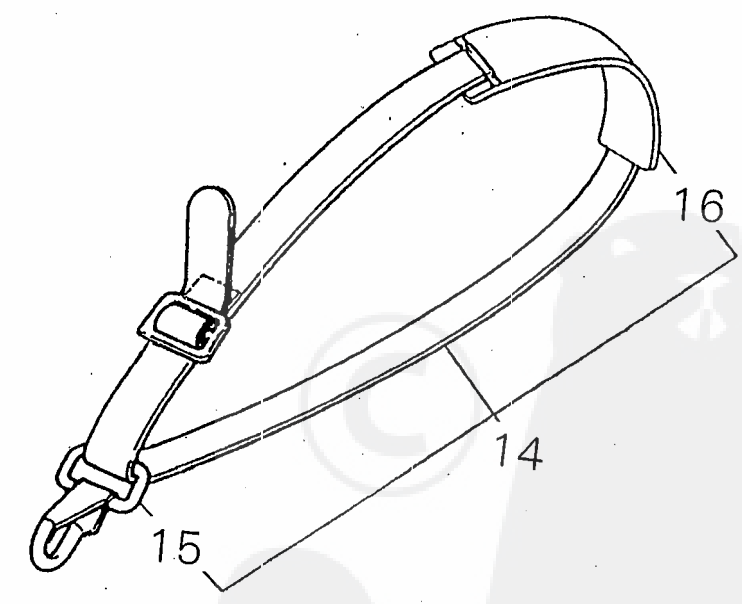
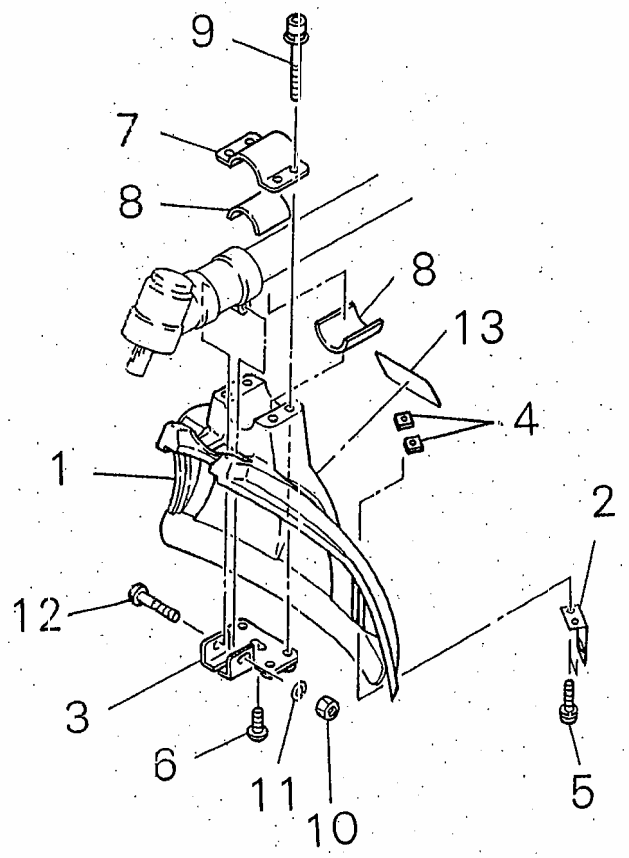
5

3

4







PRICE:(¥)

Ref. No	Part No.	Part Name	Q'ty	Remarks
12- 1	67000-66111	GUARD	1	
2	72480-16121	CUTTER	1	
3	72480-16130	LOWER CLAMP	1	
4	22420-16120	NUT	2	
5	11020-05160	BOLT SW	2	
6	11202-40100	SCREW HILO 4X10	1	
7	72480-16210	UPPER CLAMP	1	
8	72480-16220	SPACER	2	
9	11022-05450	BOLT SPW	4	
10	01500-05041	NUT	1	
11	01613-05080	WASHER	1	
12	11022-05350	BOLT SPW	1	
13	19420-00039	LABEL TRADE	1	
14	22410-17201	STRAP ASSY	1	
15	22000-17130	• HOOK	1	
16	22044-17230	• PROTECTOR	1	

PARTS LIST
SHINDAIWA
(LI38 LIA0380P)

T220/22T-CE