

shindaiwa

PARTS PRICE LIST

C 2 3 0

SHIN-DAIWA KOGYO CO., LTD.

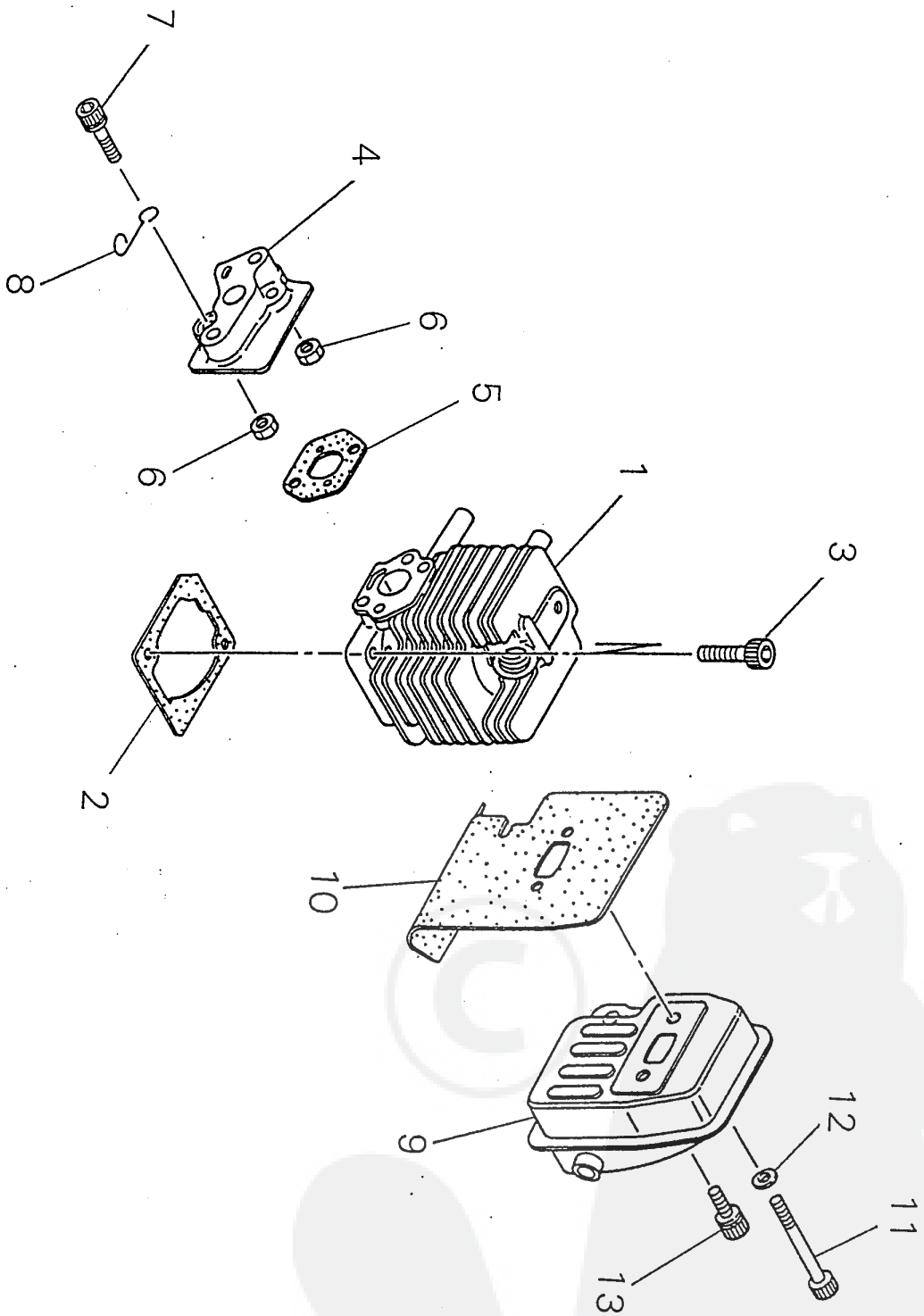
35, Ooaza Shin-Ujigami, Chiyoda-cho Yamagata-gun, Hiroshima, 731-15 Japan

Telephone (082672) 6019 SDKHIR Fax (082672) 7005

Cable Address SHINDAIWA HIROSHIMA

C230/VK

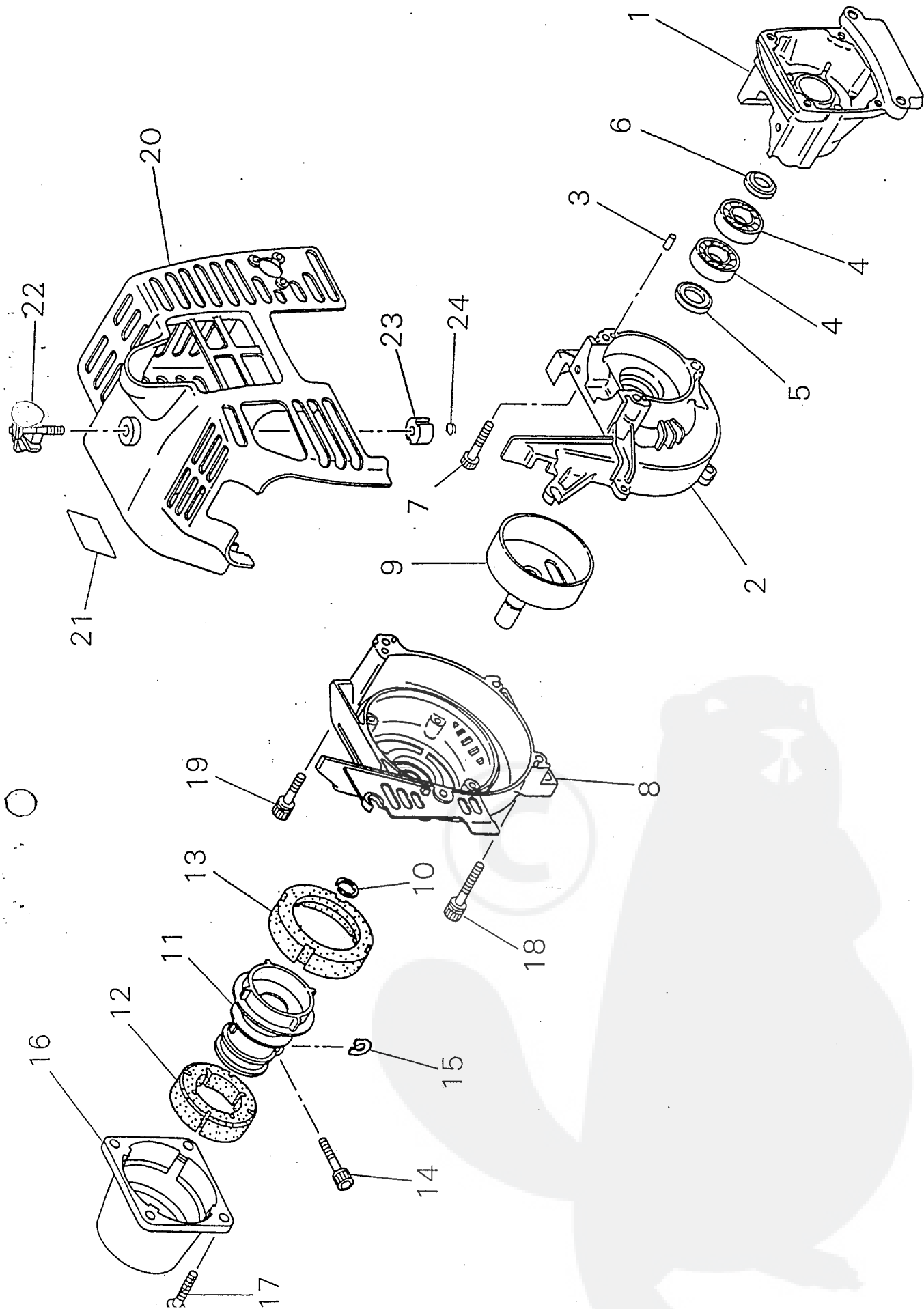
JAN. 13. 1993



1.00000 / 1.00

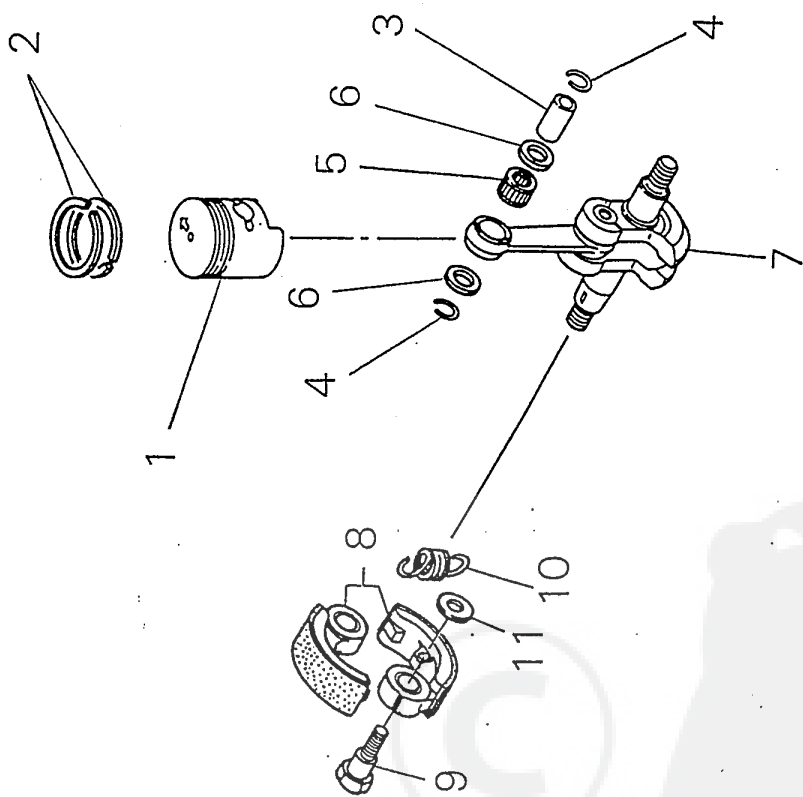
PRICE:(ST)

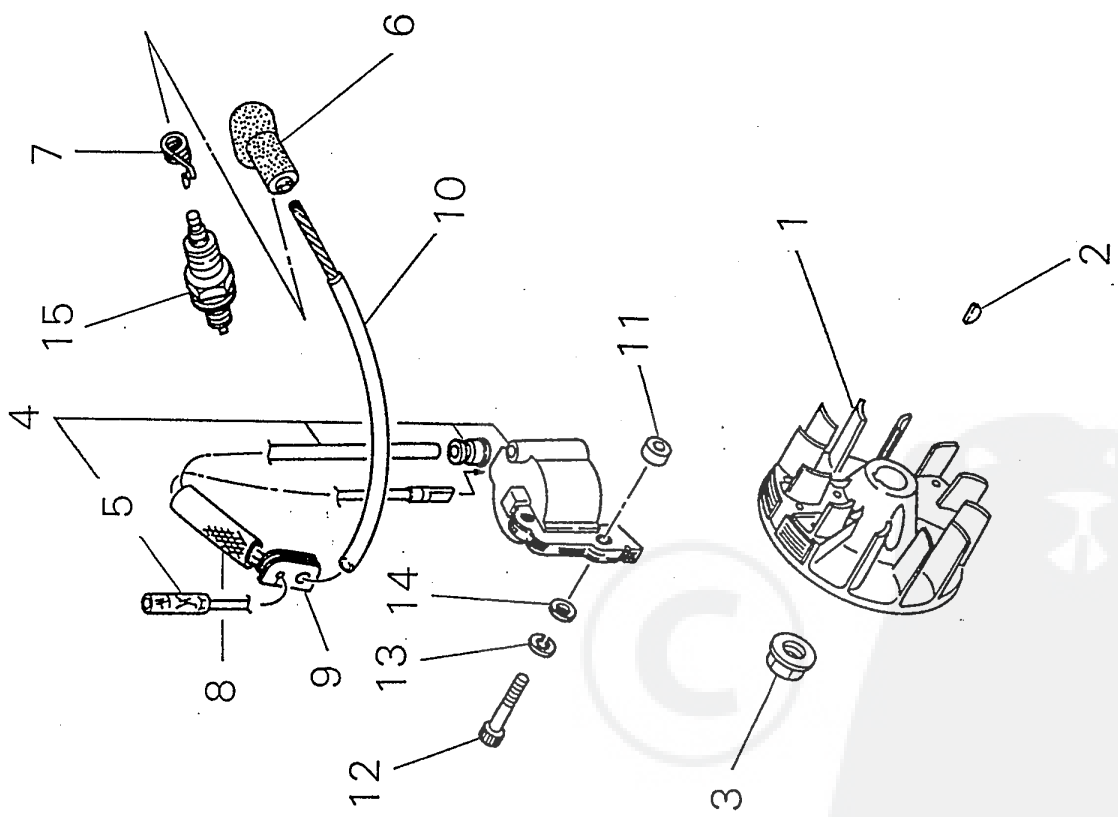
Ref. No	Part No.	P a r t N a m e	Q' t y	Unit Price	Remarks
1- 1	20016-12110	CYLINDER	1	15,200	
2	20016-12120	GASKET	1	80	
3	01020-05250	BOLT	2	40	
4	20016-12210	INSULATOR	1	420	
5	20016-12220	GASKET	1	60	
6	01500-05041	NUT	2	10	
7	11022-05250	BOLT SPW	2	50	
8	20016-12310	VALVE HOLDER	1	50	
	20016-15000	MUFFLER ASSY	1	4,570	
9	20018-15110	• MUFFLER	1	3,500	
10	20016-15121	• GASKET	1	920	
11	01020-05500	• BOLT	2	50	
12	01610-05080	• WASHER	2	10	
13	01020-05120	• BOLT	1	30	



PRICE:(ST)

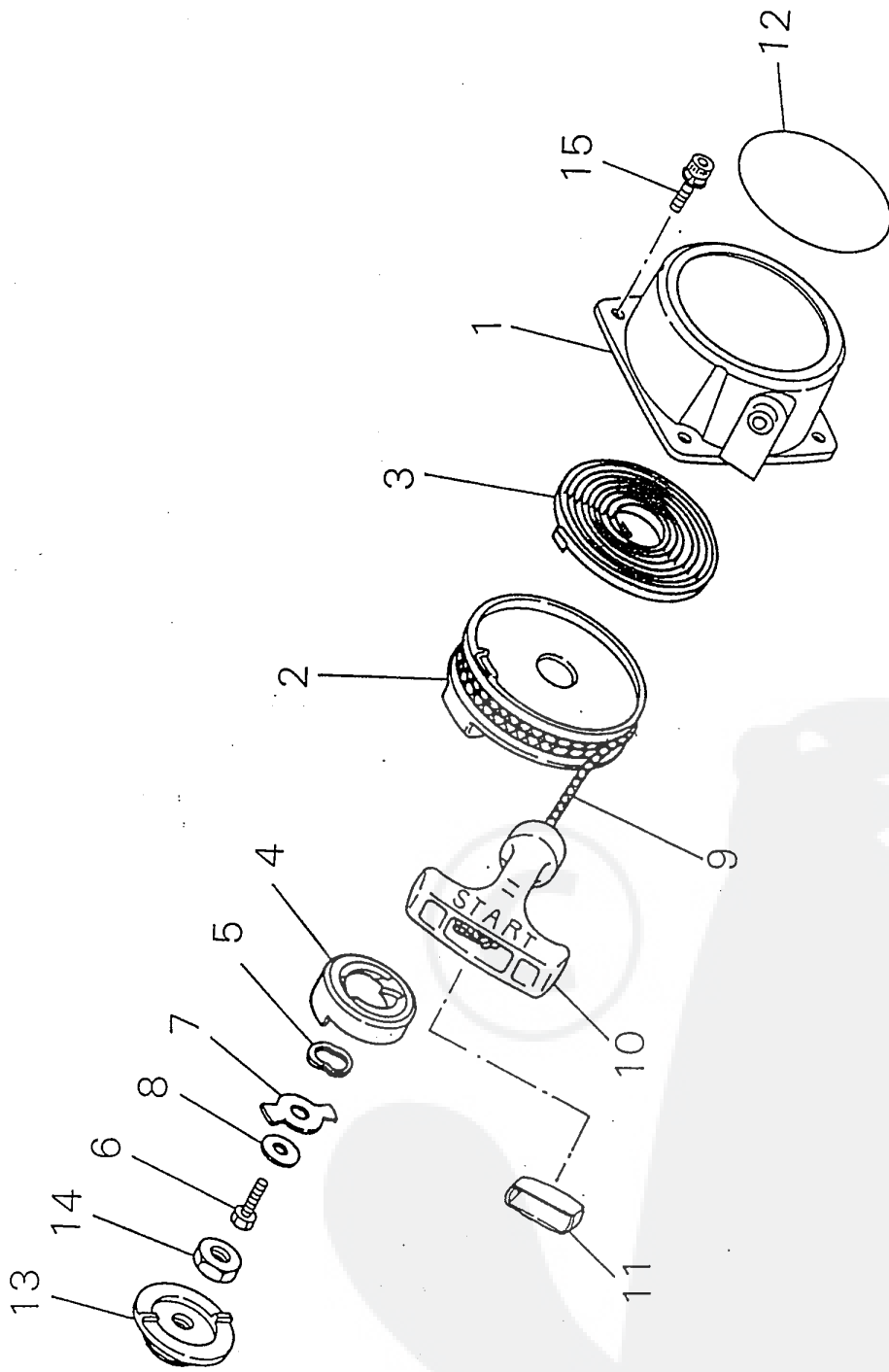
Ref. No	Part No.	Part Name	Q'ty	Unit Price	Remarks
2-	20016-21001	CRANK CASE ASSY	1	4,920	
1	20016-21111	• CRANK CASE S	1	1,440	
2	20016-21120	• CRANK CASE M	1	1,880	
3	70030-21140	• DAWEL PIN	2	50	
4	12900-60010	• BEARING	2	320	
5	20000-21211	• OIL SEAL	1	270	
6	22150-21250	• OIL SEAL	1	180	
7	01020-05250	• BOLT	3	40	
	70140-31101	FAN COVER SUB ASSY	1	6,800	
8	70140-31111	• FAN COVER	1	4,620	
9	20016-31211	• CLUTCH DRUM	1	2,000	
10	20000-31140	• SNAP RING	1	40	
11	20018-31410	JOINT	1	1,450	
12	20018-31420	FRONT CUSHION	1	330	
13	20018-31430	REAR CUSHION	1	400	
14	11023-05250	BOLT SW	1	50	
15	20035-31460	SHIM	1	20	
16	70135-31470	CAP	1	600	
17	92320-32150	BOLT PC	4	70	
18	11022-05350	BOLT SPW	2	60	
19	11022-05160	BOLT SPW	2	50	
	70140-32100	CYLINDER COVER ASSY	1	3,480	
20	70140-32110	• CYLINDER COVER	1	3,080	
21	70140-32120	• NAME PLATE	1	100	
22	20018-31250	• KNOB	1	180	
23	20018-31260	• INSULATOR	1	100	
24	20018-31270	• CLIP	1	20	





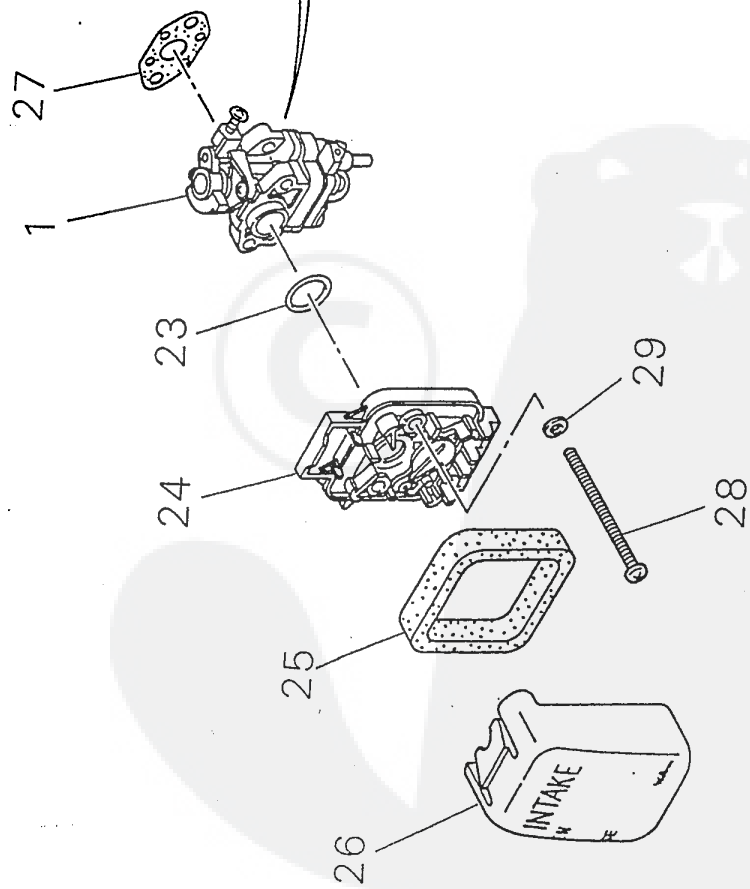
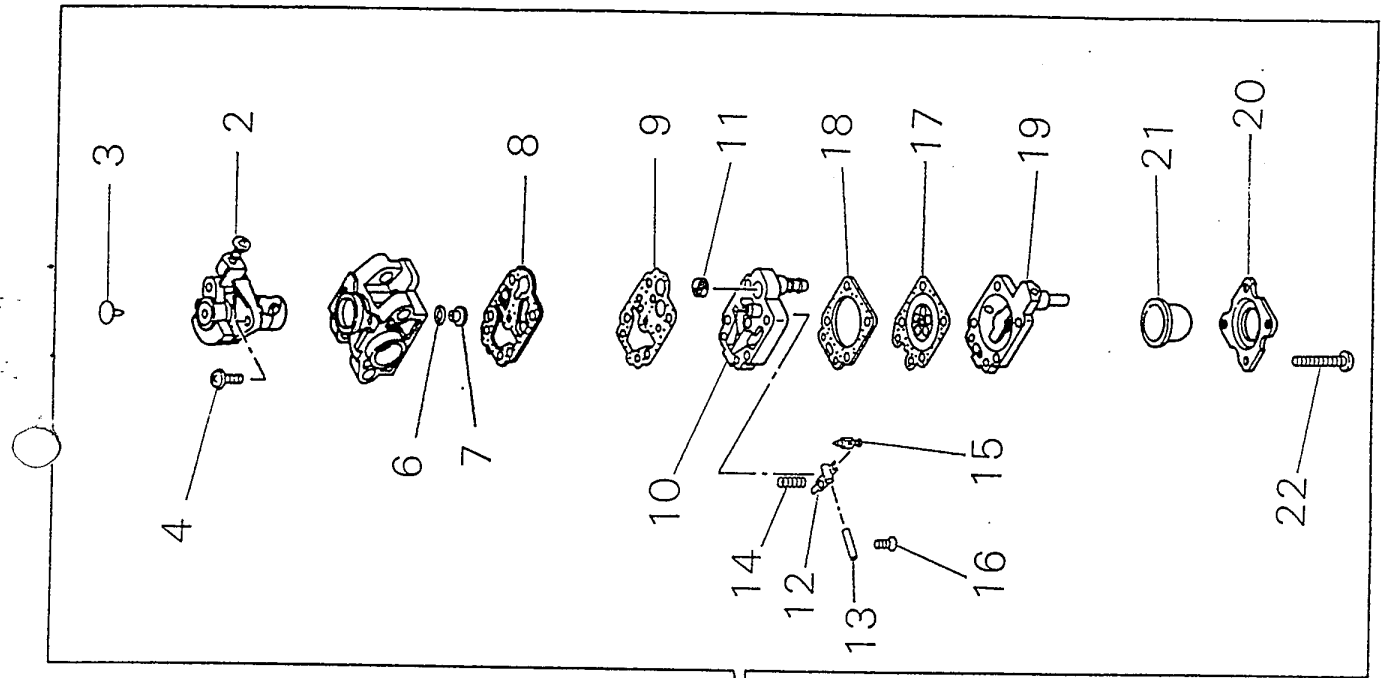
PRICE: (ST)

Ref. No	Part No.	Part Name	Q'ty	Unit Price	Remarks
4-	1 20016-71200	ROTOR	1	2,660	
	2 02403-03100	KEY	1	60	
	3 20035-71220	NUT	1	40	
	4 20016-71600	COIL ASSY	1	4,130	
	5 20016-71640	CORD	1	250	
	6 22102-72220	PLUG CAP	1	190	
	7 20000-72230	SPRING SPARK PLUG	1	110	
	8 20016-71651	TUBE	1	40	
	9 20010-72110	GROMMET	1	70	
	10 20016-71660	TUBE	1	80	
	11 70030-71620	INSULATOR	2	90	
	12 01020-04260	BOLT	2	30	
	13 01600-04101	SPRING WASHER	2	10	
	14 01612-00400	WASHER	2	10	
	15 13000-13406	SPARK PLUG	1	500	



PRICE:(ST)

Ref. No	Part No.	Part Name	Q'ty	Unit Price	Remarks
5-	70064-75101	RECOIL STARTER SUB ASSY	1	3,550	
1	70064-75110	• STARTER CASE	1	980	
2	70064-75121	• REEL	1	440	
3	70064-75130	• RECOIL SPRING	1	740	
4	70064-75140	• DOG	1	320	
5	70064-75150	• WAVE WASHER	1	90	
6	70064-75160	• BOLT	1	50	
7	70064-75170	• RETAINER	1	150	
8	70064-75180	• WASHER	1	80	
9	70064-75190	• ROPE	1	280	
10	70064-75211	• HANDLE	1	230	
11	70064-75220	• STOPPER	1	90	
12	70064-75250	• NAME PLATE	1	120	
13	70064-75310	STARTER PULLY	1	340	
14	01511-08051	NUT	1	30	
15	11024-04120	BOLT SPW	4	30	



shindaiwa

FAX.NO.082672-7005
TEL.NO.082672-6011

TO: WESTWOOD
ATTN: Mr Eddie de Prins
FROM: T. Sakurai

DATE: Oct 28, 1998

REF.NO: TS-98-189

RE: NEW ORDER "PO 1198-25"



Thank you for your spare parts order for PO 1198-25, but we are afraid that we stopped supplying 20016-81700 (air filter) as an assembly. Thus, we will arrange to ship the following components instead of 20016-81700.

20016-81700 (air filter) WORDT VERVANGEN DOOR :

- 70140-81710 (cleaner body comp) 24
- 20018-81750 (filter)
- 70140-81760 (cleaner cover)
- 20115-81780 (knob cleaner cover)
- 22100-82430 (o ring)
- 20024-81790 (cone washer)
- 19404-00008 (label choke)
- 20018-81721 (back plate)

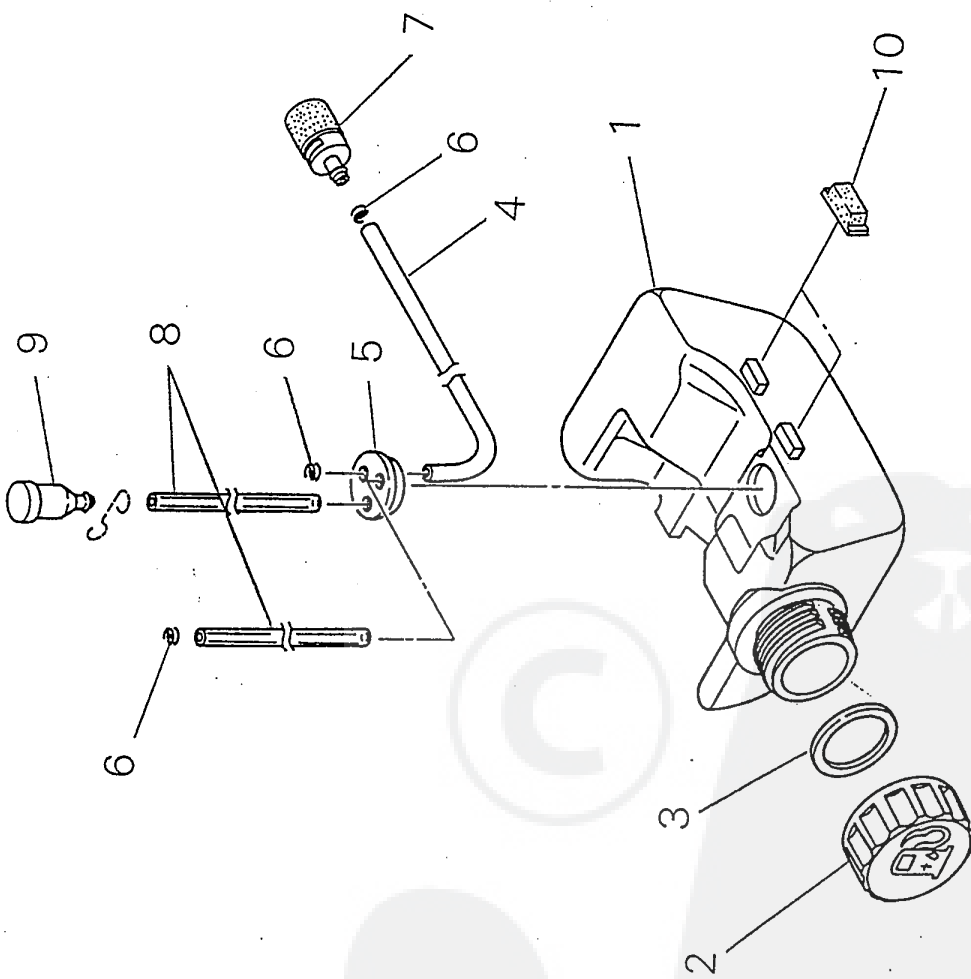
The 20870-71210 does not exist in our record. We wonder if you typed it by mistake and it should be 20870-71201 (coil sub assy for DH230). If our assumption is wrong, please let us know the correct part number by return.

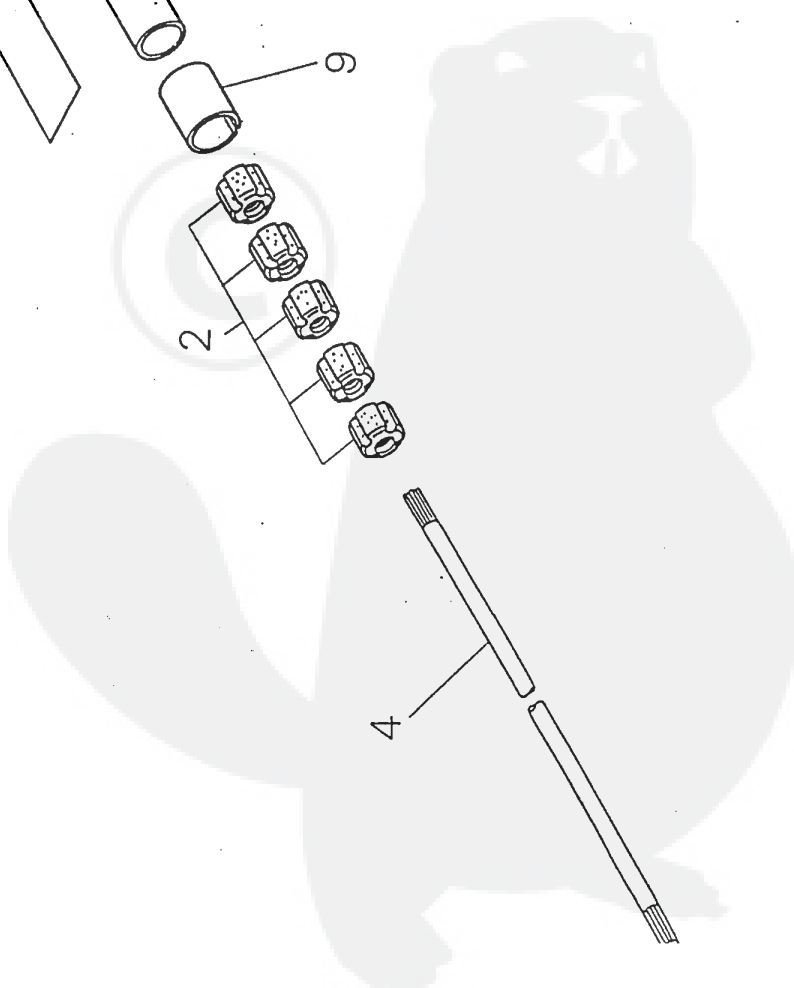
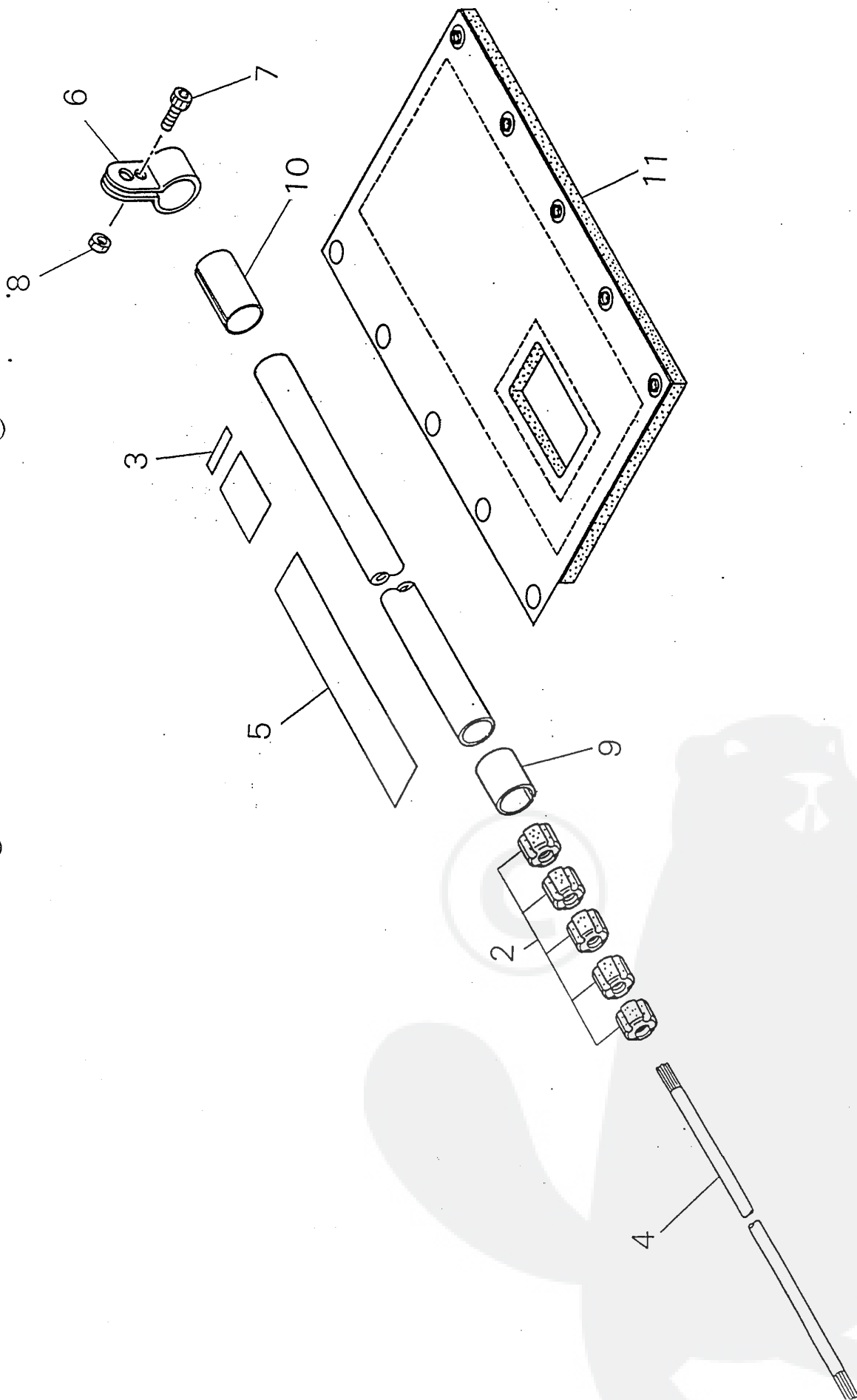
We are afraid that we can no longer supply 22135-82410 (cleaner cover) as a unit. Thus, we will arrange to ship 22135-82400 (cleaner cover sub assy) instead of 22135-82410.

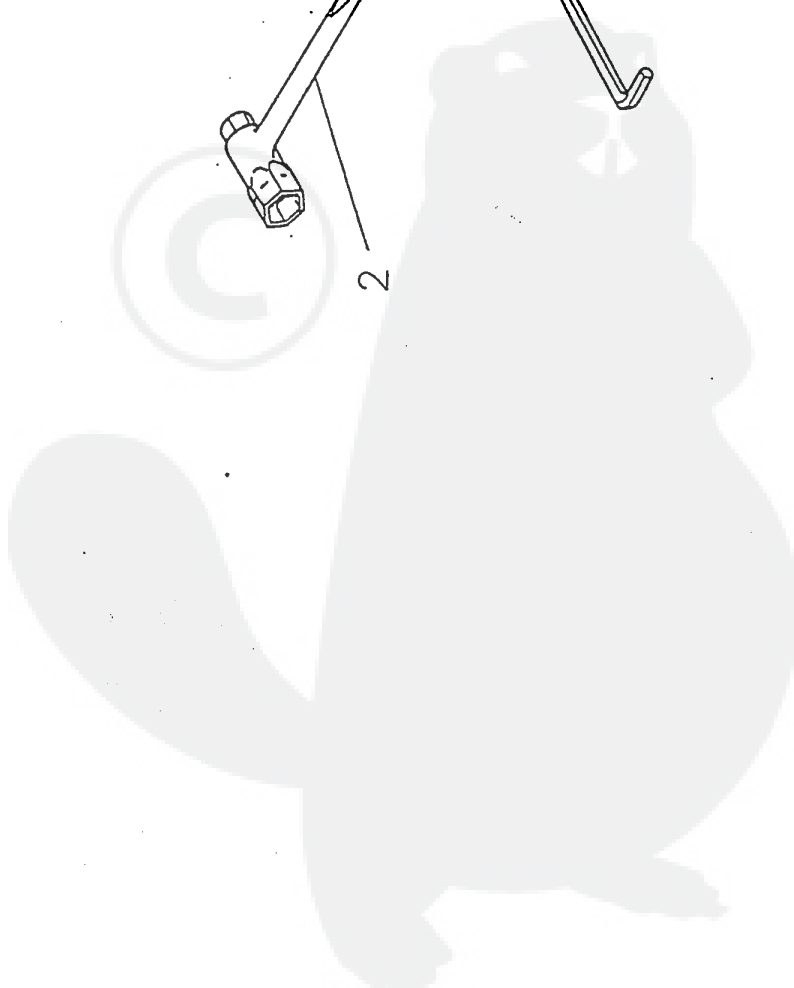
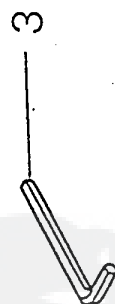
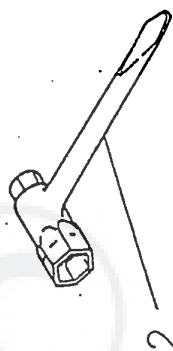
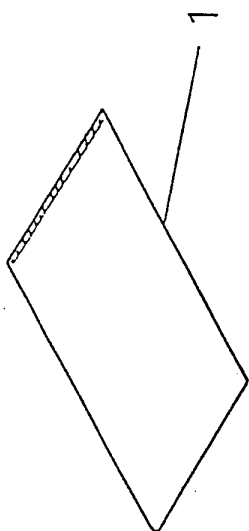
Best regards,

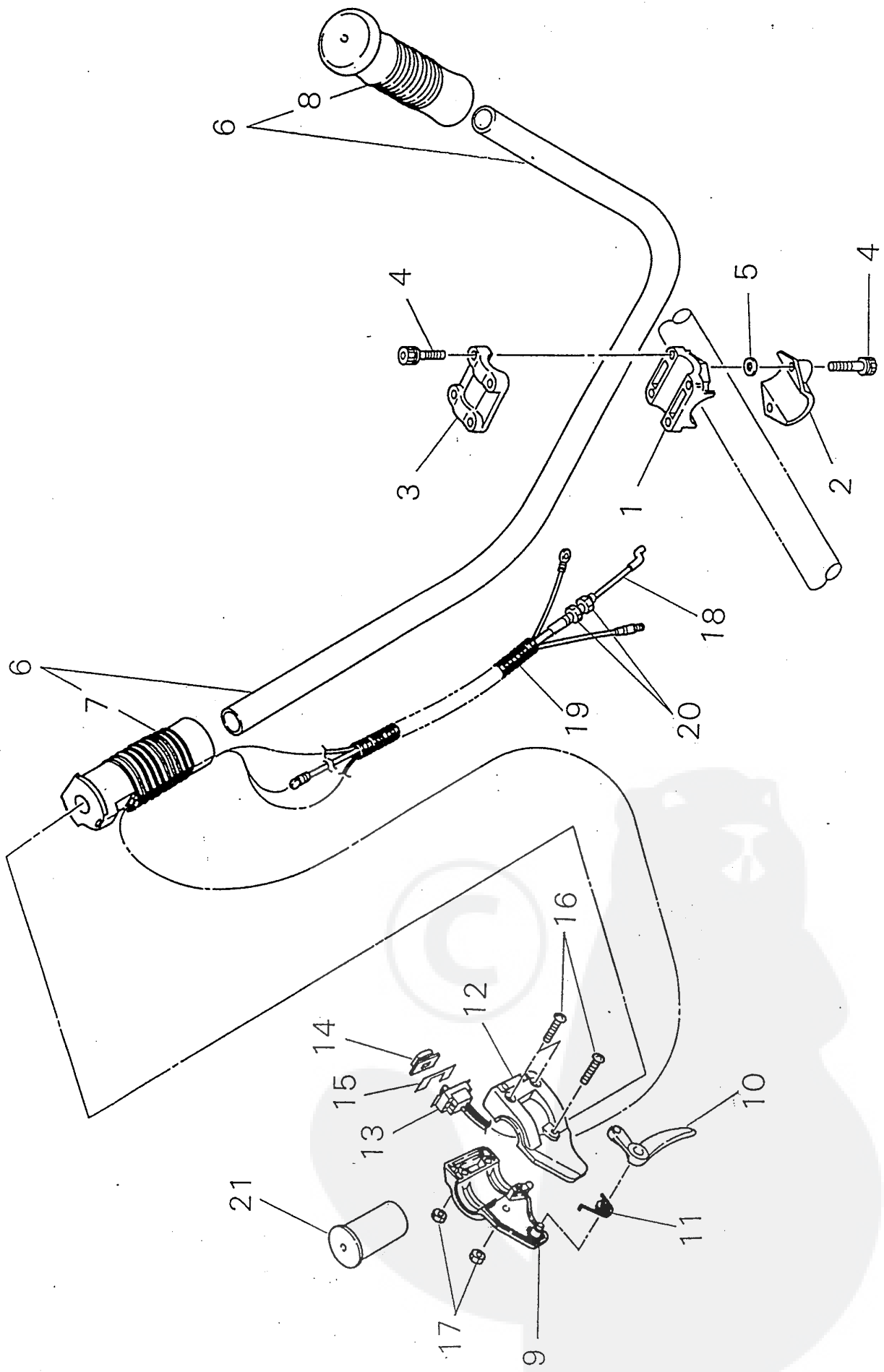
PRICE:(ST)

Ref. No	Part No.	Part Name	Q'ty	Unit Price	Remarks
6-	20016-81090	CARBURETOR ASSY	1	9,680	
1	20016-81020	* CARBURETOR SUB ASSY	1	8,330	
2	20016-81180	** VALVE ASSY	1	1,680	
3	22154-81270	** PLUG	1	60	
4	70064-81290	** SCREW	2	70	
6	70097-81220	** O RING	1	110	
7	20016-81230	** MAIN JET	1	350	
8	70097-81310	** GASKET PUMP	1	260	
9	70097-81320	** DIAPHRAGM	1	370	
10	20016-81410	** PUMP BODY COMP	1	3,300	
11	70030-81380	∴ SCREEN	1	110	
12	22100-81230	∴ LEVER	1	220	
13	22100-81250	∴ PIN	1	120	
14	20016-81270	∴ SPRING	1	160	
15	20036-81440	∴ NEEDLE VALVE	1	660	
16	20016-81450	∴ SCREW	1	160	
17	22100-81260	** DIAPHRAGM ASSY	1	980	
18	20016-81280	** GASKET	1	300	
19	20016-81420	** PUMP BASE COMP	1	1,200	
20	20016-81510	** PUMP COVER	1	300	
21	70029-81480	** PRIMING PUMP	1	600	
22	20016-81140	** SCREW	4	120	
23	20016-81250	** O RING	1	120	
	20016-81700	* CLEANER SUB ASSY	1	1,350	niet meer leverb.
24	20016-81710	** CLEANER BODY COMP	1	900	
25	70064-82210	** FILTER	1	190	
26	20016-81790	** CLEANER COVER	1	350	
27	20016-81530	GASKET	1	50	
28	11203-05650	SCREW PM	2	30	
29	01610-05080	WASHER	2	10	
	20016-81910	GASKET KIT	1	600	
8	70097-81310	* GASKET PUMP	1	260	
18	20016-81280	* GASKET	1	300	
	70097-81920	DIAPHRAGM KIT	1	1,670	
9	70097-81320	* DIAPHRAGM	1	370	
17	22100-81260	* DIAPHRAGM ASSY	1	980	



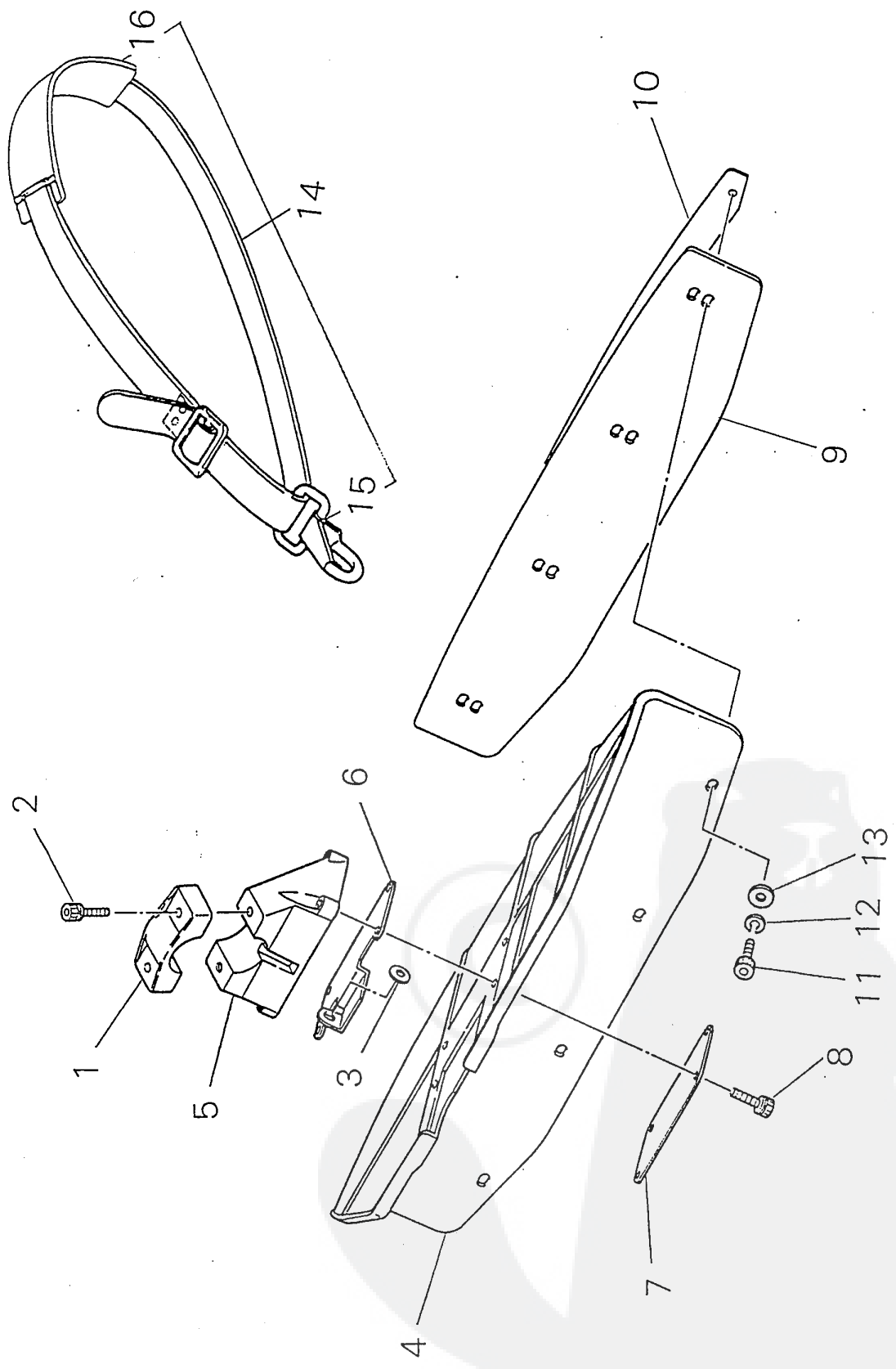


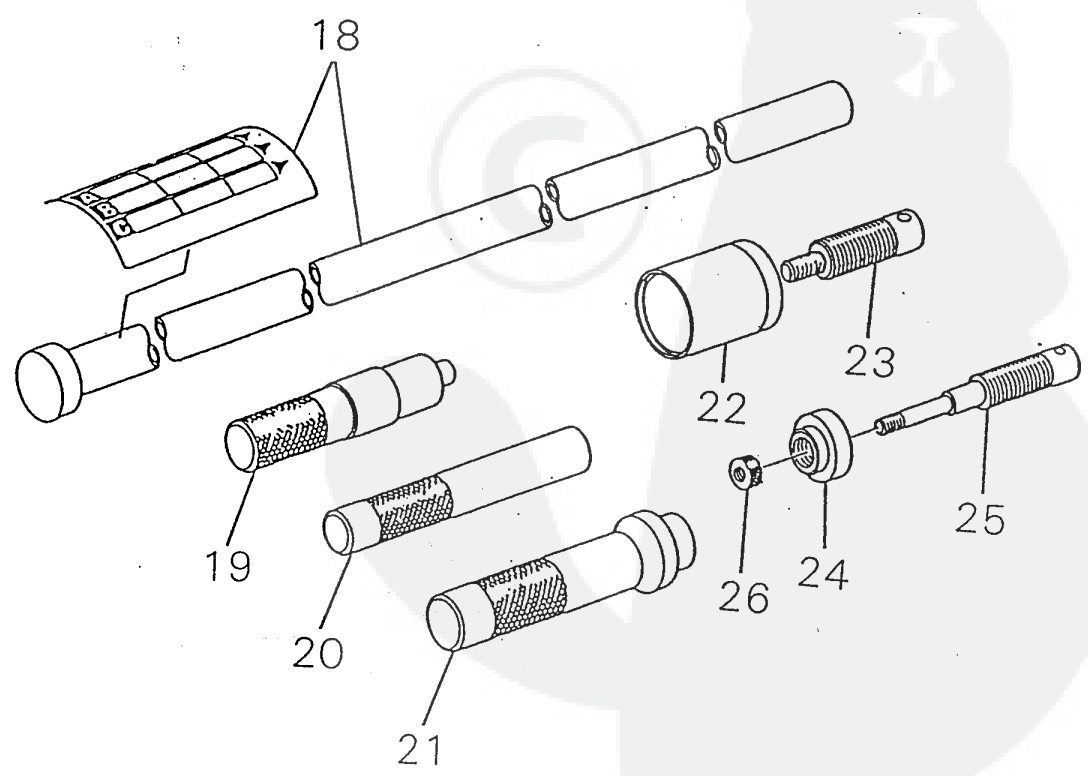
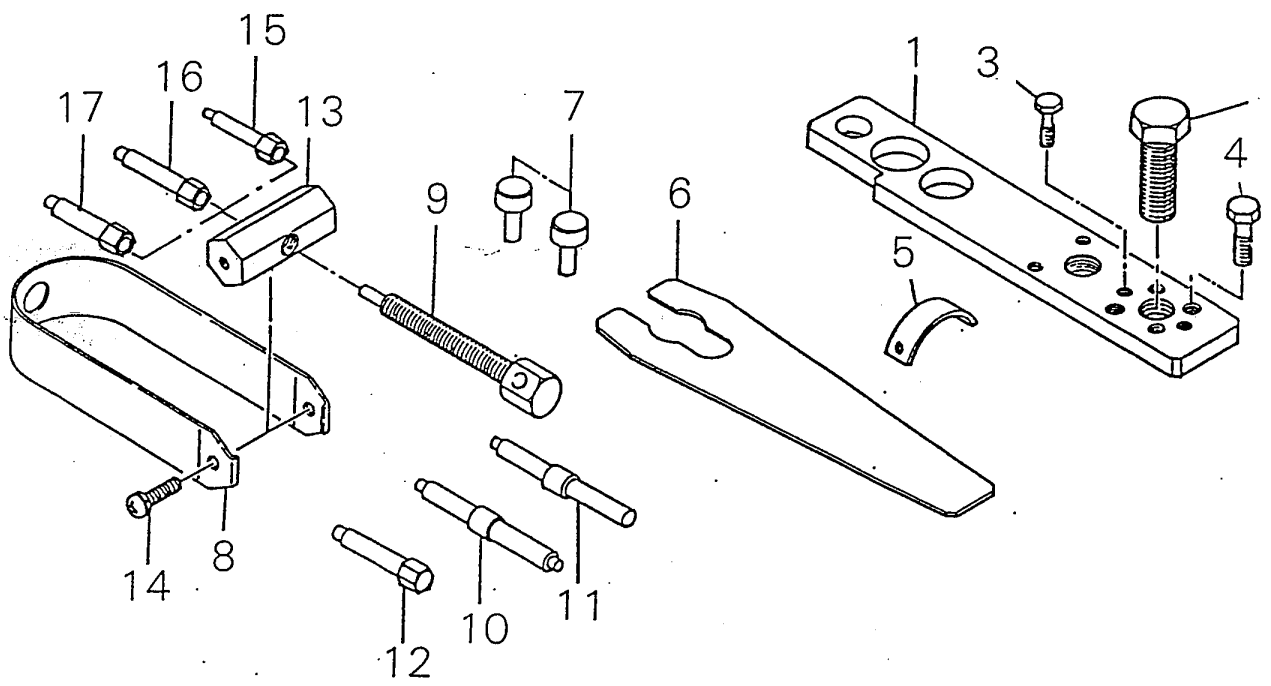




PRICE:(ST)

Ref. No	Part No.	Part Name	Q'ty	Unit Price	Remarks
11-	22045-14101	BRACKET SUB ASSY	1	1,710	
1	22045-14110	• BRACKET	1	560	
2	22045-14120	• LOWER CAP	1	350	
3	22045-14131	• UPPER CAP	1	380	
4	11022-05250	• BOLT SPW	6	50	
5	01610-05080	• WASHER	1	10	
6	72481-14200	HANDLE SUB ASSY	1	6,300	
7	22421-14220	• GRIP	1	560	
8	22421-14230	• GRIP	1	630	
	22411-14301	THROTTLE LEVER ASSY	1	2,270	
9	22410-14311	• BRACKET RIGHT	1	280	
10	22410-14321	• LEVER	1	110	
11	22410-14331	• SPRING	1	90	
12	22410-14340	• BRACKET LEFT	1	280	
13	22411-14351	• SWITCH COMP	1	1,260	
14	22420-12930	• KNOB	1	90	
15	22420-12940	• PLATE	1	110	
16	11203-05250	• SCREW PM	3	20	
17	01501-05031	• NUT	3	10	
	22411-14500	CABLE ASSY	1	1,300	
18	22411-14511	• THROTTLE CABLE	1	670	
19	22421-14540	• TUBE	1	600	
20	01501-06041	• NUT	2	10	
21	22411-14611	SPACER	1	360	





PRICE: (ST)

Ref. No	Part No.	Part Name	Qty	Unit Price	Remarks
13-	20000-96104	PULLER ASSY	1	5,080	
1	20000-96114	• LEVER	1	3,850	
2	22100-96121	• CENTER BOLT	1	620	
3	20000-96130	• BOLT	3	130	
4	20000-96140	• BOLT	2	170	
5	20000-96210	AIR GAP GAUGE	1	310	
6	20000-96411	ROTOR SPANNER	1	1,350	
7	20021-96420	STOPPER	1	190	
	20021-96601	PULLER ASSY	1	6,680	
8	20021-96611	• PULLER	1	320	
9	20021-96621	• BOLT	1	2,350	
10	20000-96631	• GUIDE PIN	1	560	
11	20035-96630	• GUIDE PIN	1	460	
12	20021-96630	• GUIDE PIN	1	420	
13	20000-96640	• BOSS	1	560	
14	01211-06120	• SCREW SW	2	20	
15	20021-96650	• PIN ADAPTER	1	590	
16	20021-96660	• PIN ADAPTER	1	660	
17	20021-96670	• PIN ADAPTER	1	720	
18	22000-96100	ROD BUSHING ASSY	1	8,560	
19	22035-96210	ROD 626DDU	1	1,370	
20	22035-96310	ROD 608ZZ	1	1,180	
21	22035-96410	ROD 6000	1	2,250	
	22035-96500	PULLER SUB ASSY	1	1,650	
22	22035-96510	• PULLER	1	1,370	
23	22035-96520	• BOLT	1	390	
	22035-96600	PULLER SUB ASSY	1	1,200	
24	22035-96610	• HOLDER	1	580	
25	22000-96621	• BOLT	1	710	
26	22000-96630	• NUT	1	90	

PARTS LIST
SHINDAIWA
(L138 LIA0380P)

C230/VK