

shindaiwa

PARTS PRICE LIST

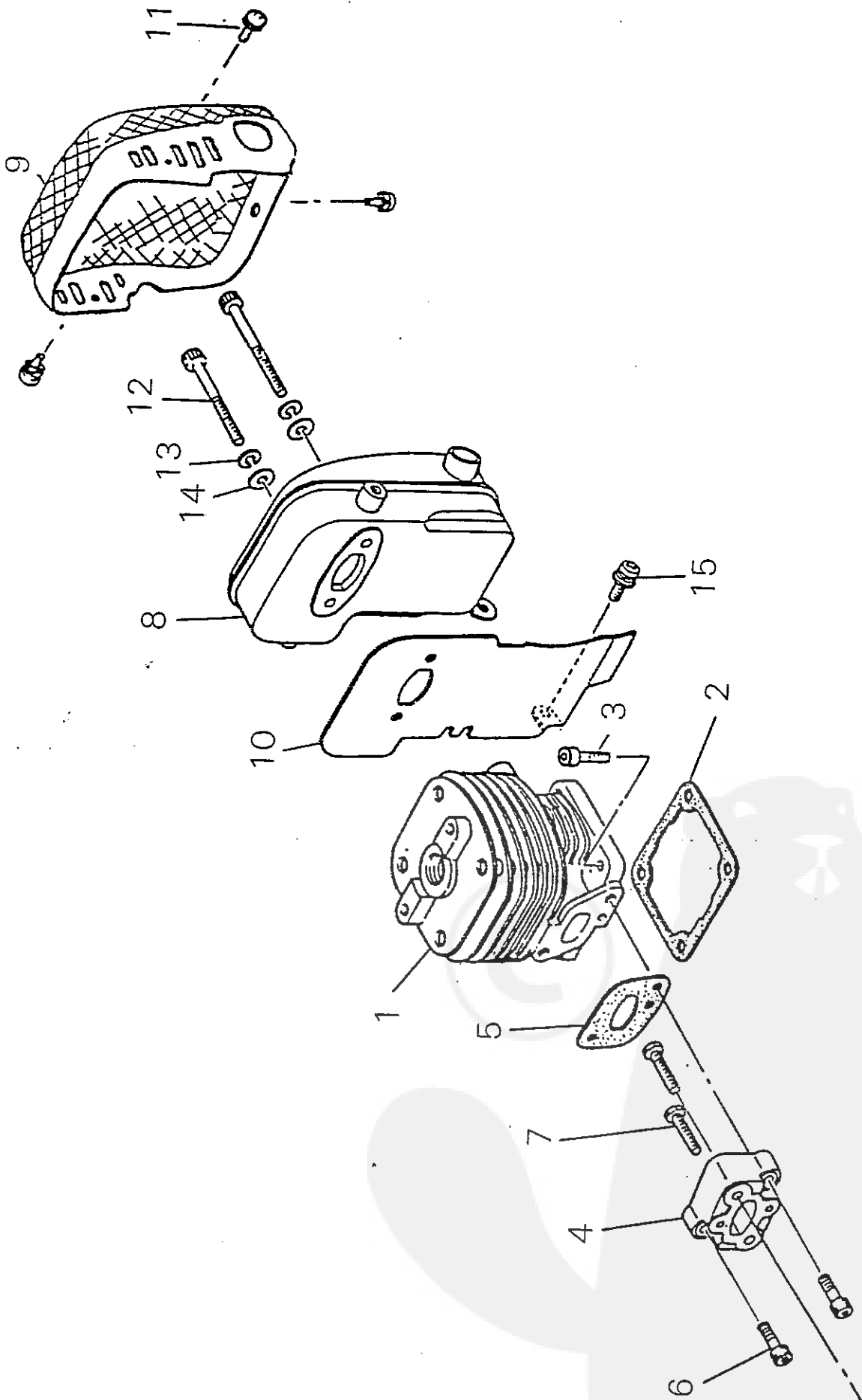
C 2 5

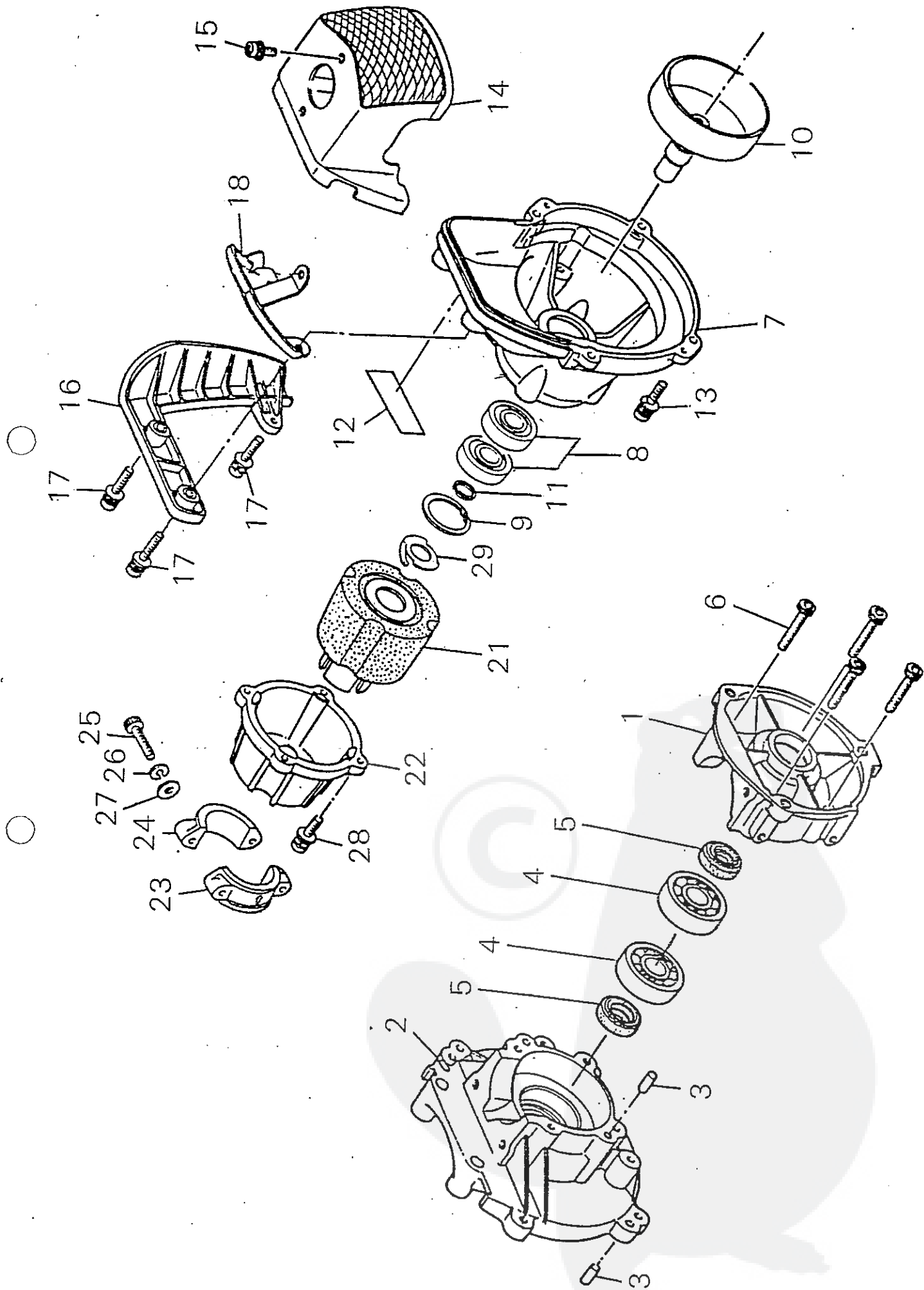
SHIN-DAIWA KOGYO CO. LTD.

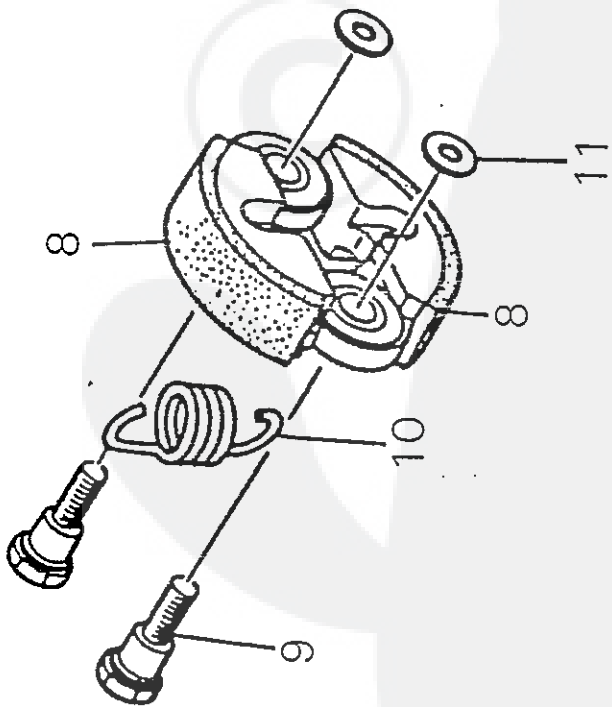
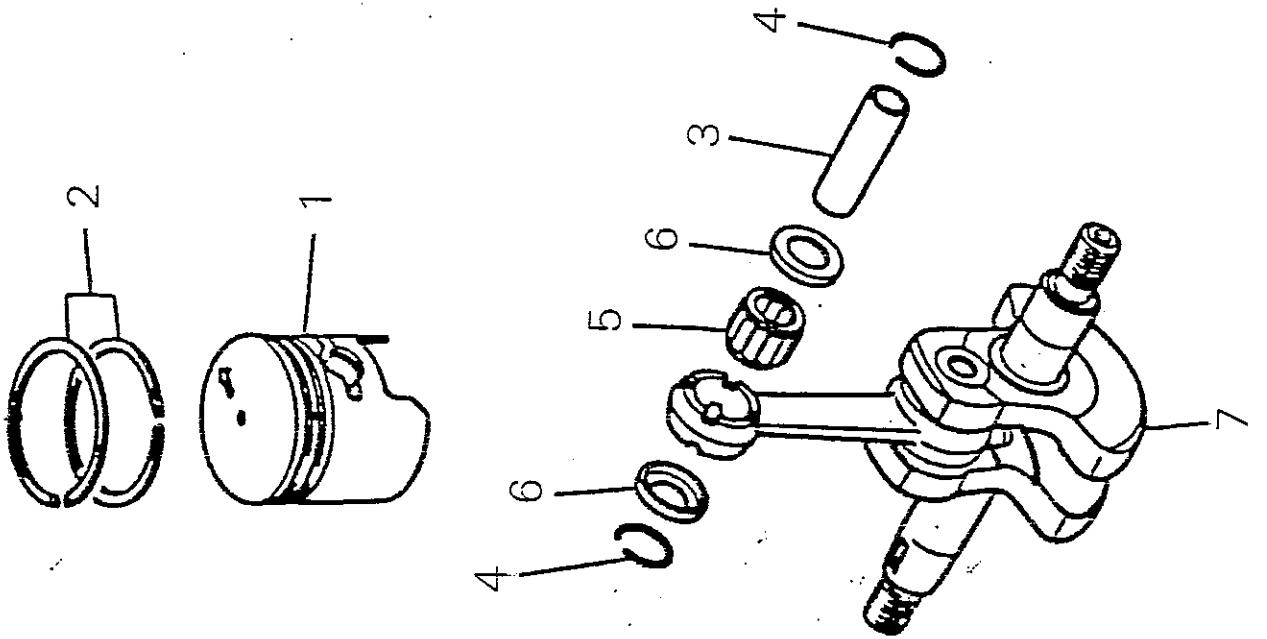
35, Ooaza Shin-Ujigami, Chiyoda-cho Yamagata-gun, Hiroshima, 731-14 Japan
Telephone (082672) 6011 Telex 665371 SDKHFR Fax (082672) 6001, 6002
Cable Address SHINDAIWA HIROSHIMA

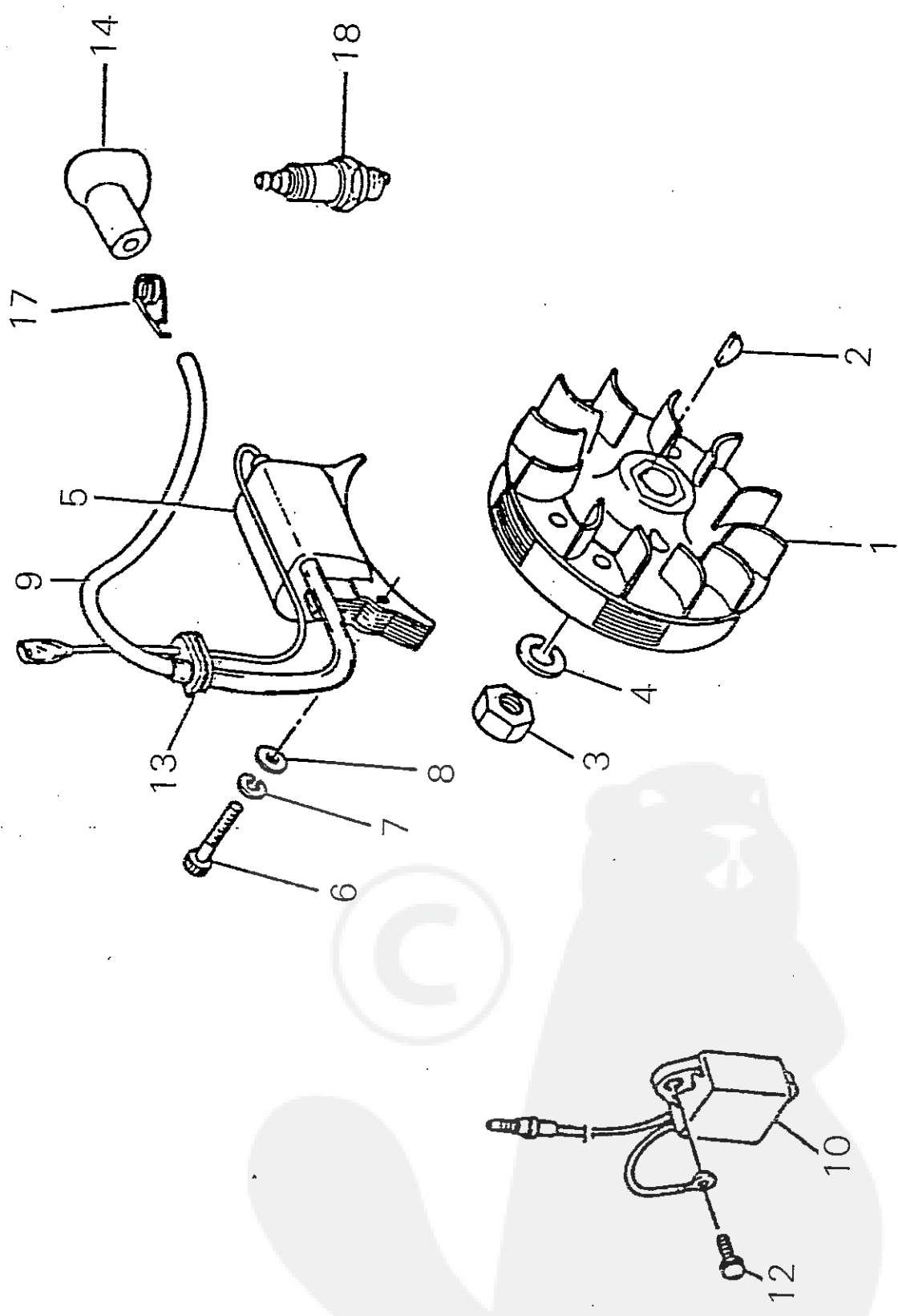
JUN. 1 1. 1991

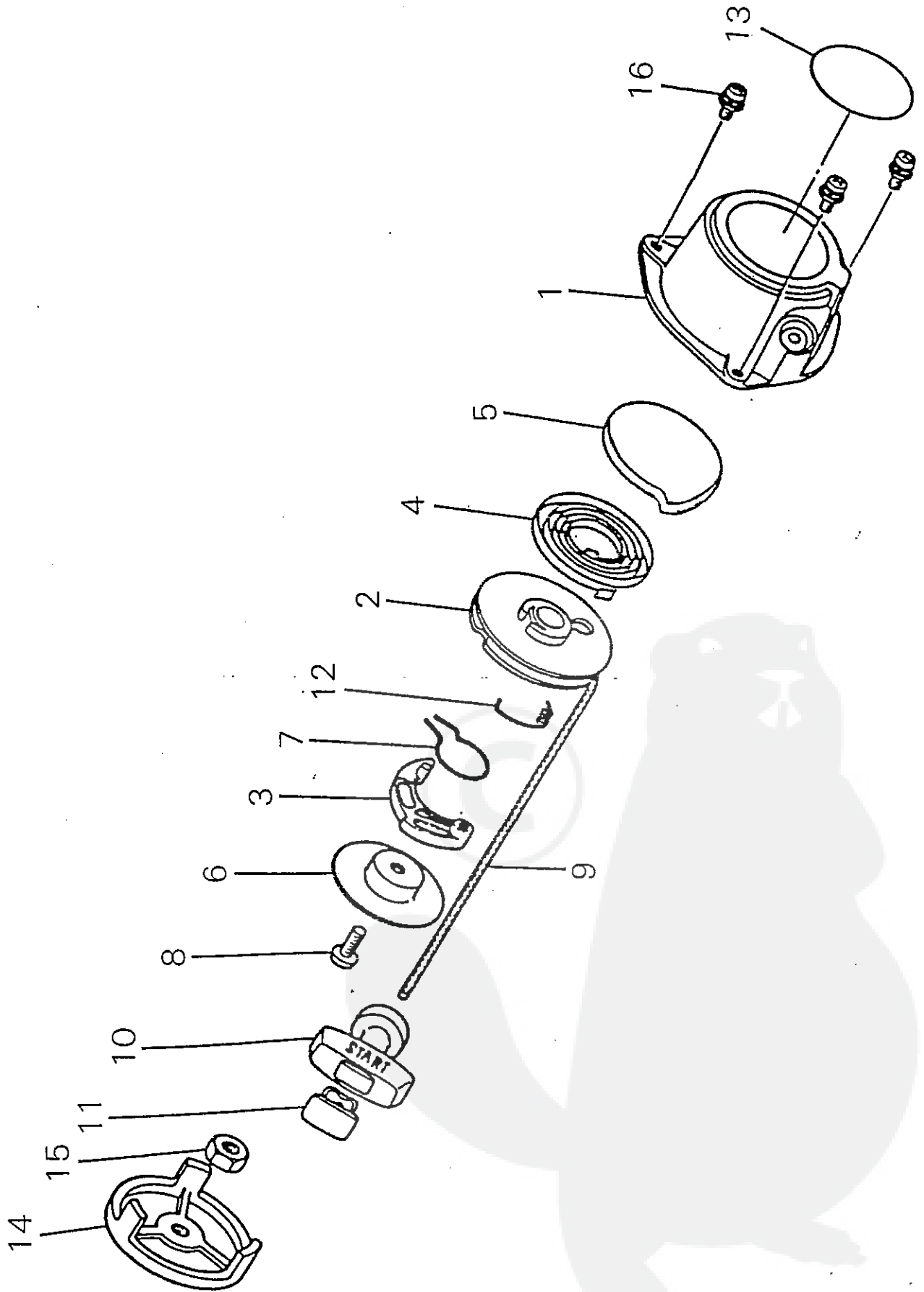
C15/i

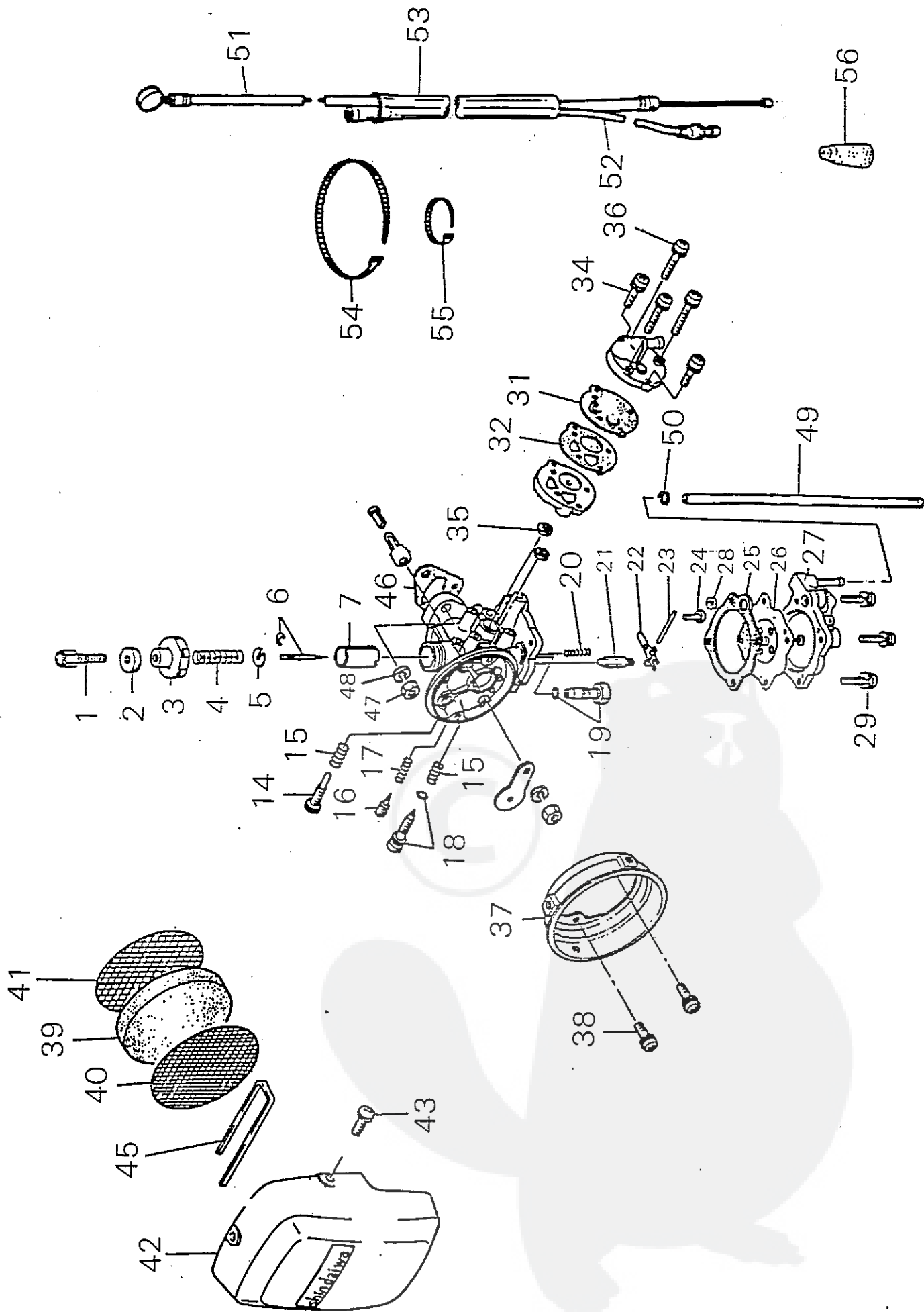






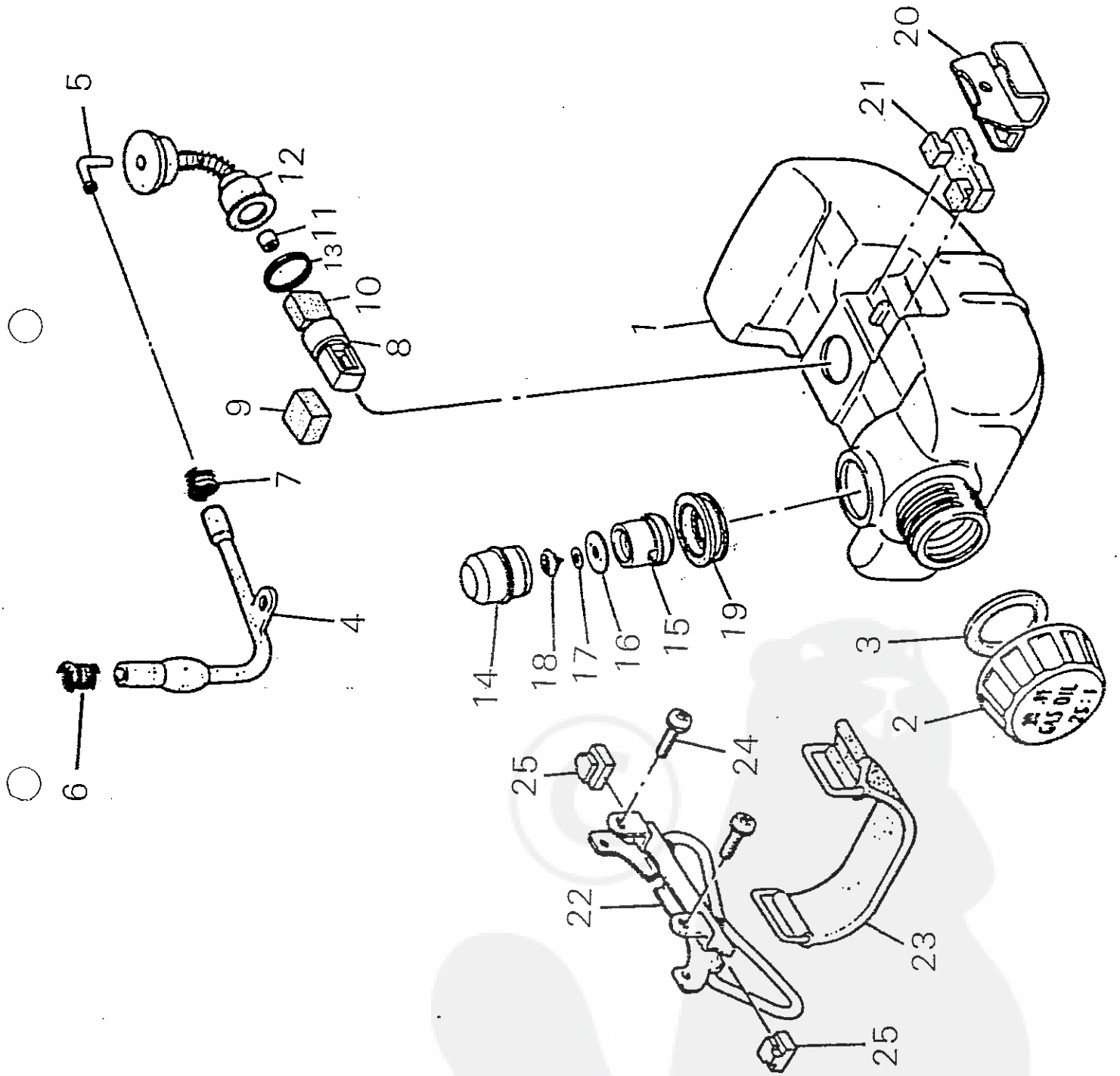


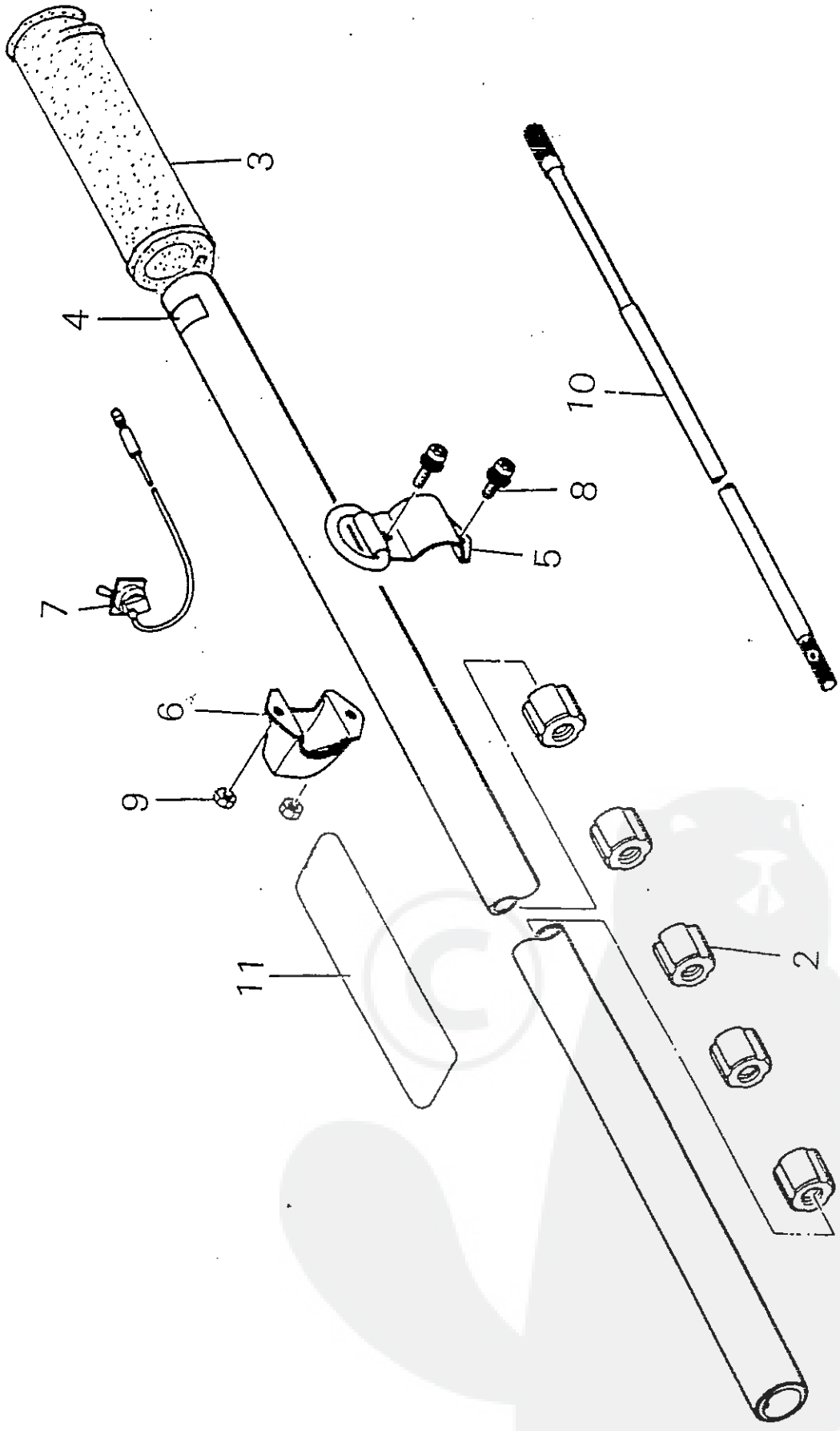


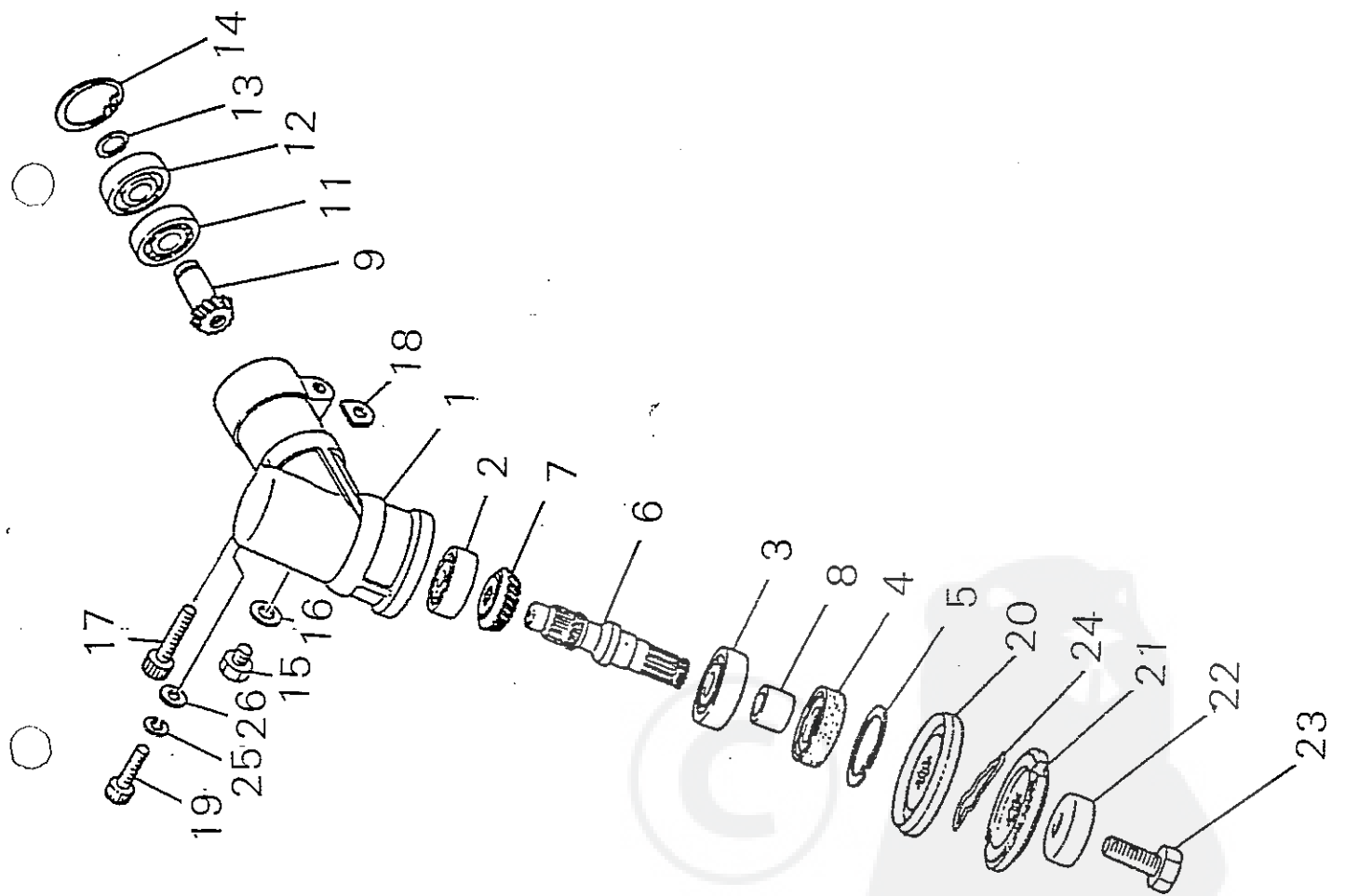


PRICE:(ST)

Ref. No	Part No.	Part Name	Q'ty	Unit Price	Remarks
6-	20000-81004	CARBURETOR ASSY	1	9,950	
1	20000-81110	* CABLE ADJUSTER	1	340	
2	20000-81120	* LOCK NUT	1	70	
3	20000-81130	* BODY CAP	1	450	
4	20000-81140	* SPRING THROTTLE	1	120	
5	20000-81150	* SPRING RECEIVE	1	60	
6	20000-81171	* JET NEEDLE	1	570	
7	20000-81181	* THROTTLE VALVE	1	1,030	
14	20000-81310	* SLOW STOP SCREW	1	170	
15	20000-81320	* SPRING	2	50	
16	20000-81330	* SLOW AIR SCREW	1	280	
17	20000-81340	* SPRING	1	50	
18	20000-81350	* ADJUST SCREW	1	530	
19	20000-81410	* NEEDLE JET	1	780	
20	20000-81430	* SPRING LEVER	1	150	
21	20000-81441	* NEEDLE VALVE	1	750	
22	20000-81450	* LEVER	1	170	
23	20000-81460	* PIN	1	120	
24	20000-81470	* SCREW	1	40	
25	20000-81511	* GASKET	1	190	
26	20000-81521	* DIAPHRAGM	1	1,060	
27	20000-81531	* COVER DIAPHRAGM	1	1,200	
28	20000-81550	* SEAT	1	90	
29	20000-81650	* SCREW	4	30	
	20000-81600	* FUEL PUMP ASSY	1	3,000	
31	20000-81620	** DIAPHRAGM	1	680	
32	20000-81630	** GASKET	1	110	
34	20000-81650	** SCREW	2	30	
35	20000-81660	** GASKET	2	110	
36	20000-81670	** SCREW	3	30	
	20010-81701	* AIR CLEANER SUB ASSY	1	1,960	
37	20010-81711	** CLEANER BODY	1	430	
38	20000-81735	** SCREW	2	40	
39	20000-81740	** FILTER	1	190	
40	20000-81750	** NET A	1	150	
41	20010-81760	** NET B	1	490	
42	20010-81771	** CLEANER COVER	1	530	
43	20000-81735	** SCREW	3	40	

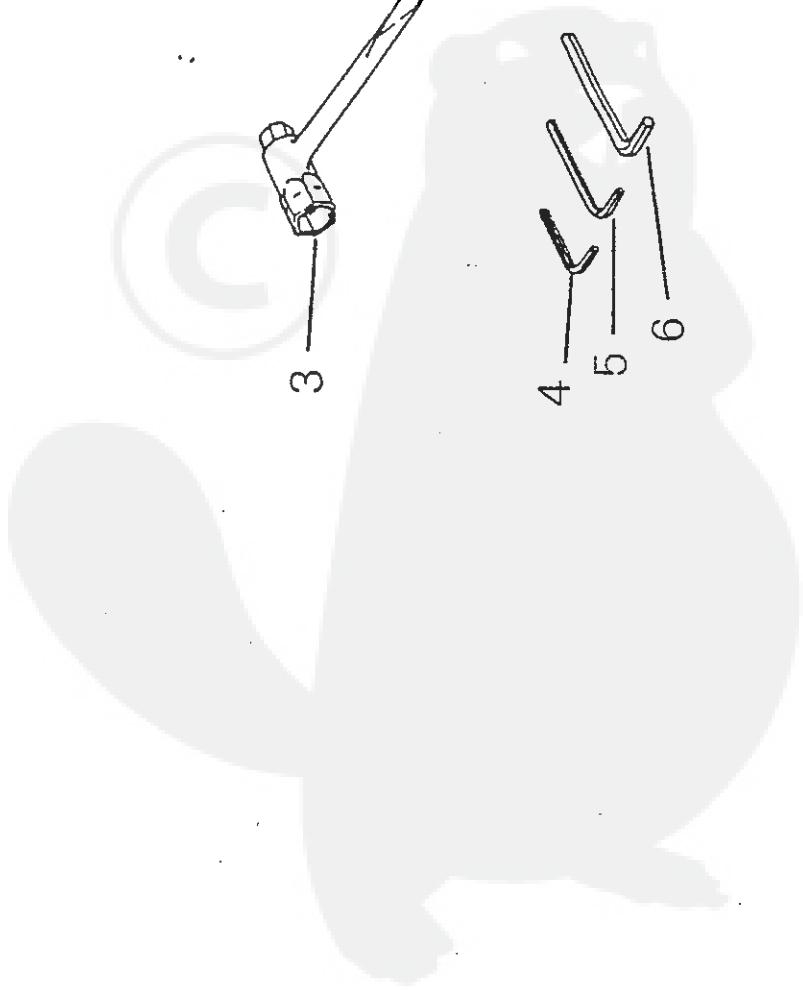
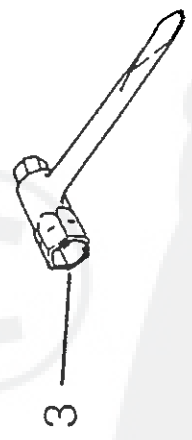
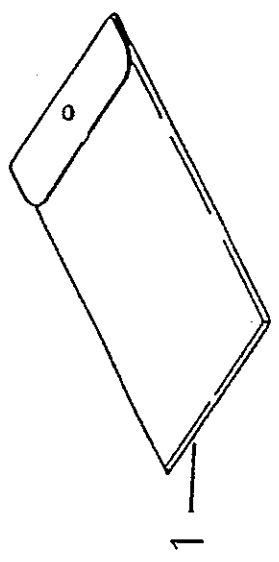
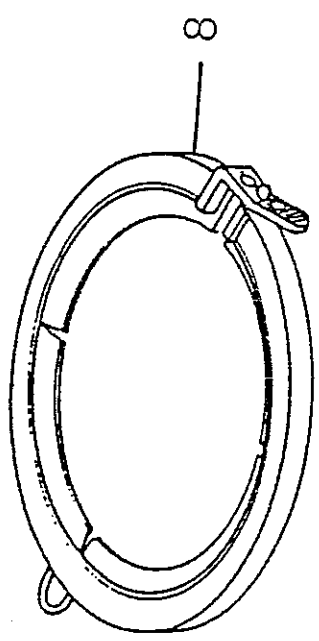
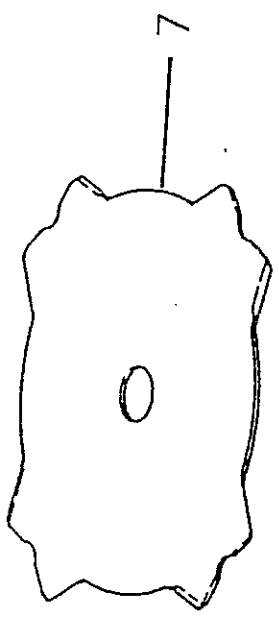
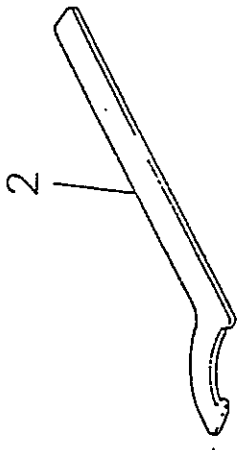


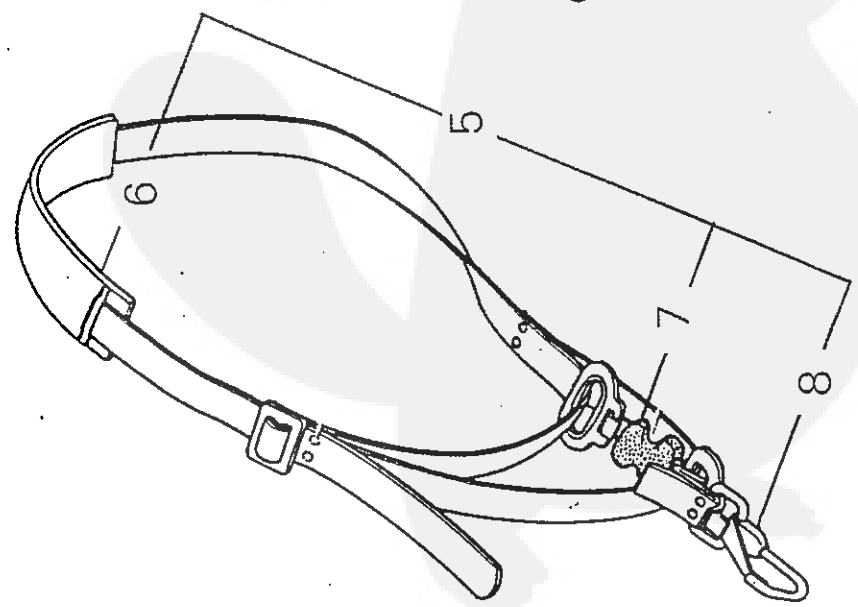
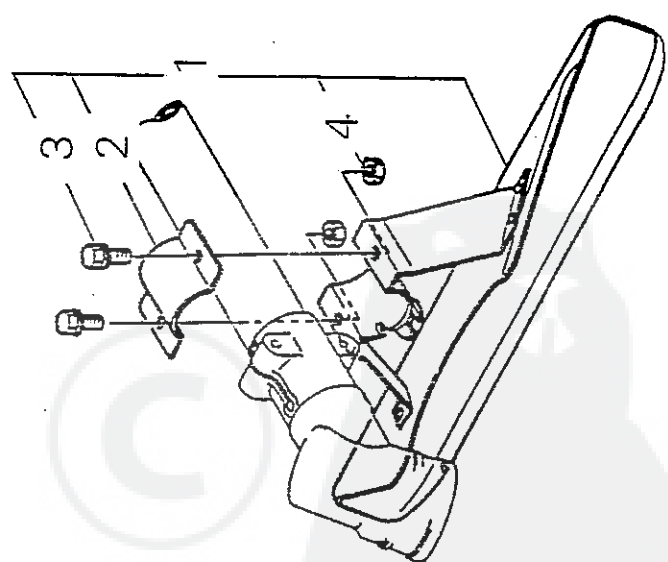
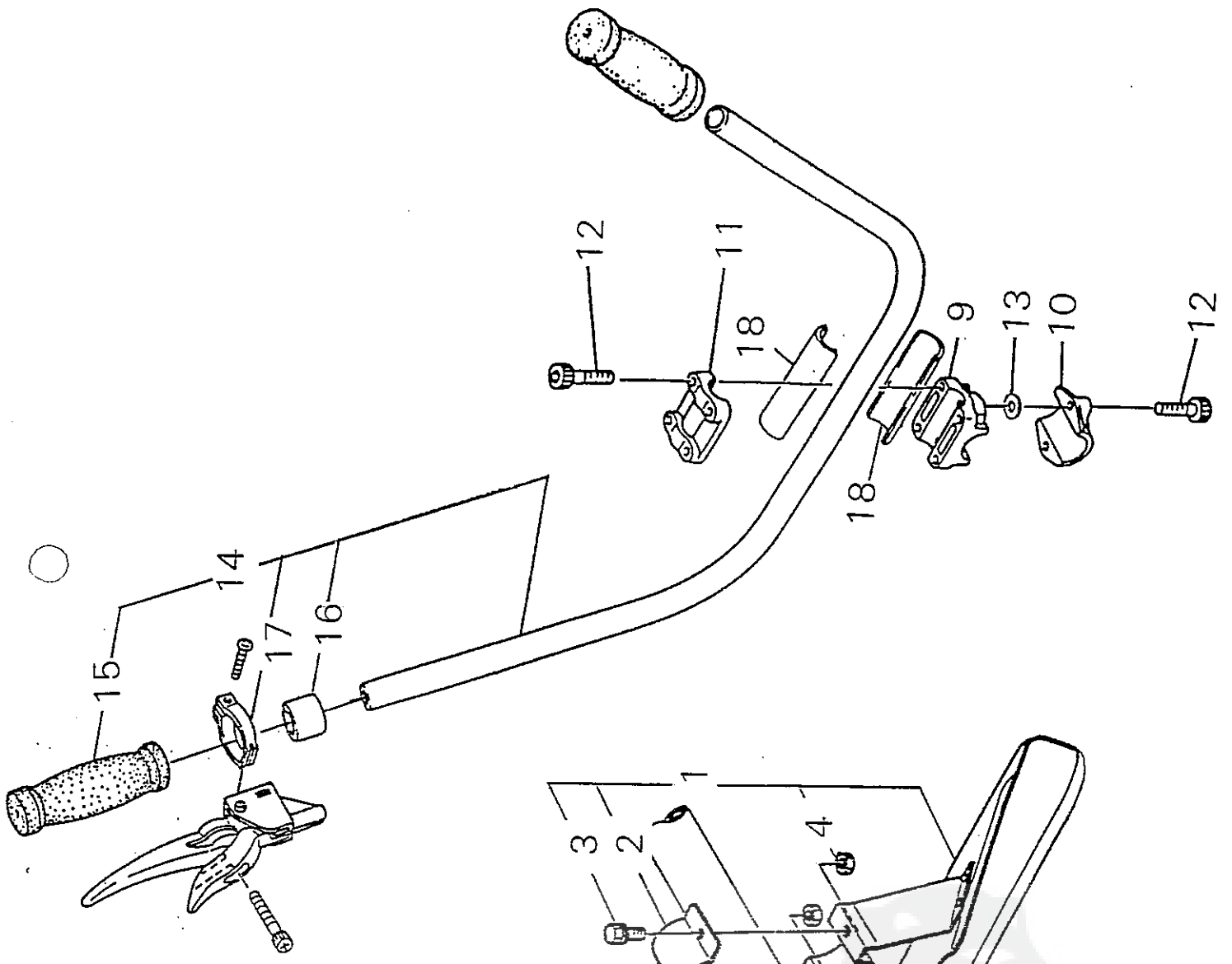




PRICE:(ST)

Ref. No	Part No.	Part Name	Q'ty	Unit Price	Remarks
9-	72005-13001	GEAR CASE ASSY	1	16,400	
1	72005-13110	• GEAR CASE	1	3,530	
2	02006-06000	• BEARING	1	480	
3	02000-06201	• BEARING	1	300	
4	22000-13120	• OIL SEAL	1	340	
5	02432-32120	• SNAP RING	1	40	
6	22000-13212	• GEAR SHAFT	1	2,460	
7	22000-13220	• BEVEL GEAR	1	2,030	
8	22000-13230	• COLLAR	1	270	
9	22000-13390	• BEVEL PINION SET	1	2,570	
11	02000-06000	• BEARING	1	320	
12	02002-06000	• BEARING	1	430	
13	22000-13320	• SNAP RING	1	40	
14	02432-26120	• SNAP RING	1	40	
15	22015-13410	• BOLT	1	60	
16	22015-13420	• GASKET	1	30	
17	01020-05120	• BOLT	1	30	
25	01600-05131	• SPRING WASHER	1	10	
26	01610-05080	• WASHER	1	10	
18	22011-13450	• SHIM	1	20	
19	11022-06280	• BOLT SPW	1	80	
20	22000-13241	• HOLDER A	1	1,250	
21	22000-13252	• HOLDER B	1	1,250	
22	22000-13290	• BOLT GUARD	1	160	
23	22000-13512	• BOLT	1	140	
24	22000-13530	• SLIDE PIN	1	130	

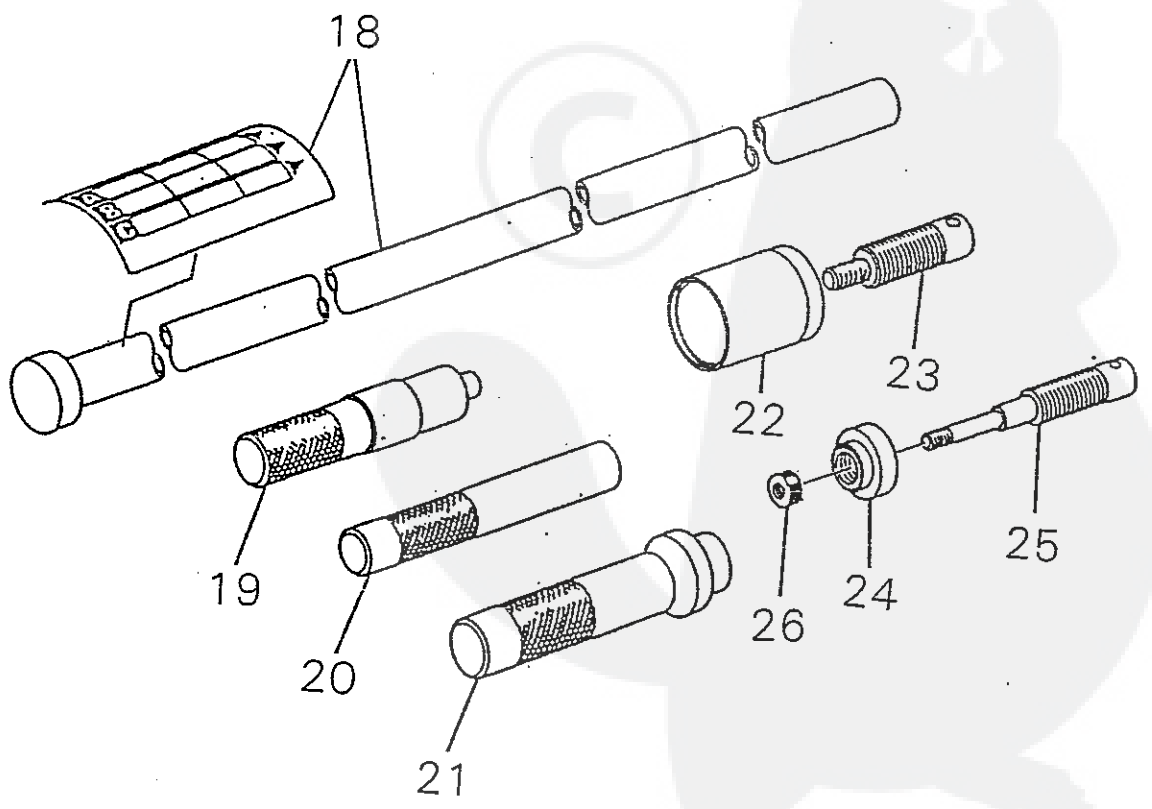
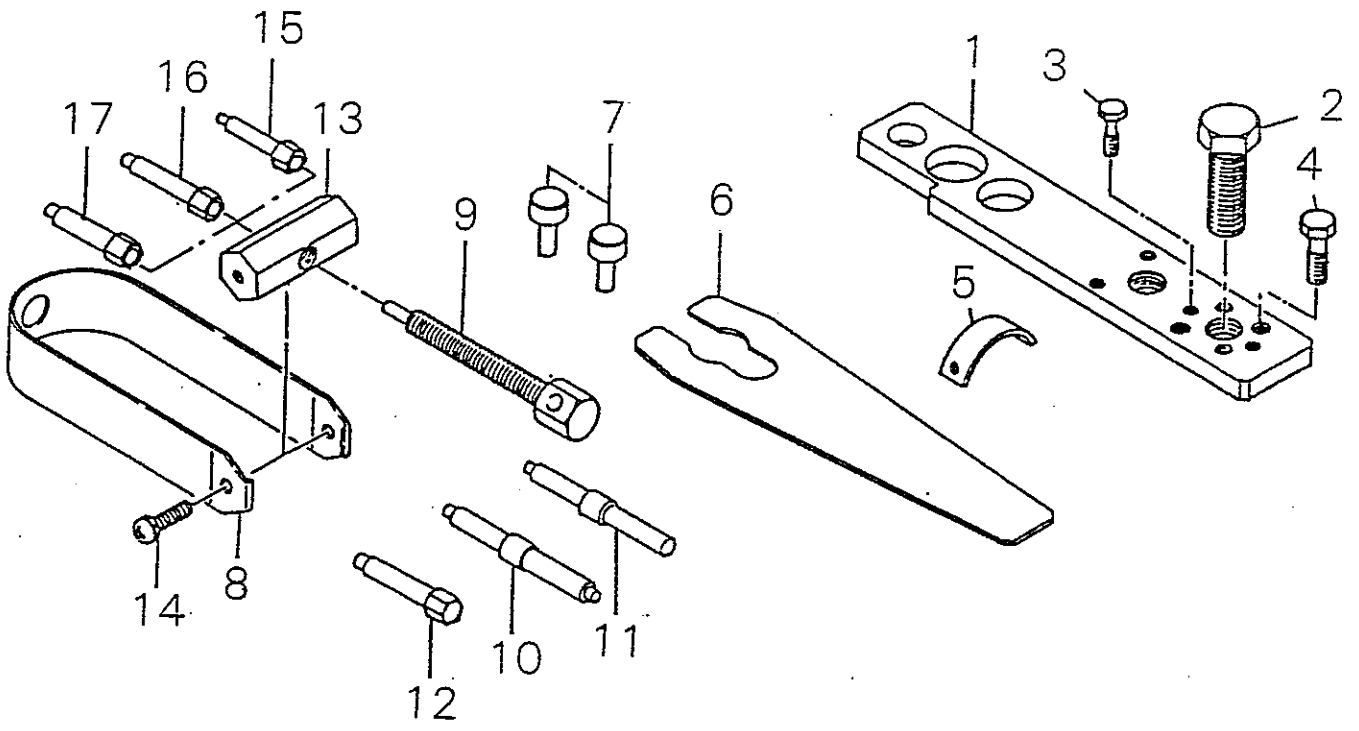




PRICE:(ST)

Ref. No.	Part No.	Part Name	Qty	Unit Price	Remarks
11- 1	22011-16102	GUARD ASSY	1	2,730	
2	22000-16122	• GUARD CLAMP	1	220	
3	11020-05120	• BOLT SW	2	40	
4	01500-05041	• NUT	2	10	
5	72007-17200	STRAP ASSY	1	2,950	
6	22007-17220	• PROTECTOR	1	310	
7	22011-17261	• CUSHION HARNESS	1	510	
8	22000-17130	• HOOK	1	510	
	72006-14000	HANDLE ASSY	1	7,000	
	72005-14100	BRACKET ASSY	1	2,100	4,200
9	72005-14110	BRACKET HANDLE	1	810	4,150
10	72005-14120	LOWER CAP	1	470	4,430
11	72005-14130	UPPER CAP	1	380	4,470
12	11022-05250	BOLT SPW	6	50	
13	01610-05080	WASHER	1	10	
14	22002-14201	HANDLE SUB ASSY	1	4,860	
15	22000-14520	GRIP	2	390	
16	22000-14250	COLLAR THROTTLE LEVER	1	60	
17	22011-14440	THROTTLE LEVER	1	1,550	
18	22042-14260	SPACER	2	80	

11-77/I.



PRICE:(ST)

Ref. No	Part No.	Part Name	Q'ty	Unit Price	Remarks
12-	20021-96001	OPTION TOOL SET #	1	13,700	
	20000-96104	• PULLER ASSY	1	5,080	
1	20000-96114	•• LEVER	1	3,850	
2	22100-96121	•• CENTER BOLT	1	620	
3	20000-96130	•• BOLT	3	130	
4	20000-96140	•• BOLT	2	170	
5	20000-96210	•• AIR GAP GAUGE	1	310	
6	20000-96411	• ROTOR SPANNER	1	1,350	
7	20021-96420	• STOPPER	2	190	
	20021-96601	• PULLER ASSY	1	6,680	
8	20021-96611	•• PULLER	1	320	
9	20021-96621	•• BOLT	1	2,350	
10	20000-96631	•• GUIDE PIN	1	560	
11	20035-96630	•• GUIDE PIN	1	460	
12	20021-96630	•• GUIDE PIN	1	420	
13	20000-96640	•• BOSS	1	560	
14	01211-06120	•• SCREW	2	20	
15	20021-96650	•• PIN ADAPTER	1	590	
16	20021-96660	•• PIN ADAPTER	1	660	
17	20021-96670	•• PIN ADAPTER	1	720	
	22000-96003	OPTION TOOL SET #	1	17,200	
18	22000-96101	• ROD BUSHING ASSY	1	8,560	
19	22000-96210	• ROD 6000DDU	1	1,820	
20	22000-96310	• ROD 6000ZZ	1	1,250	
21	22000-96410	• ROD 6201	1	2,720	
	22000-96501	• PULLER ASSY	1	1,720	
22	22000-96510	•• HOLDER	1	1,410	
23	22000-96521	•• BOLT	1	410	
	22000-96600	• PULLER SUB ASSY	1	1,200	
24	22000-96610	•• HOLDER	1	1,280	
25	22000-96621	•• BOLT	1	710	
26	22000-96630	•• NUT	1	90	