

**shindaiwa<sup>®</sup>**

# **PARTS CATALOG**

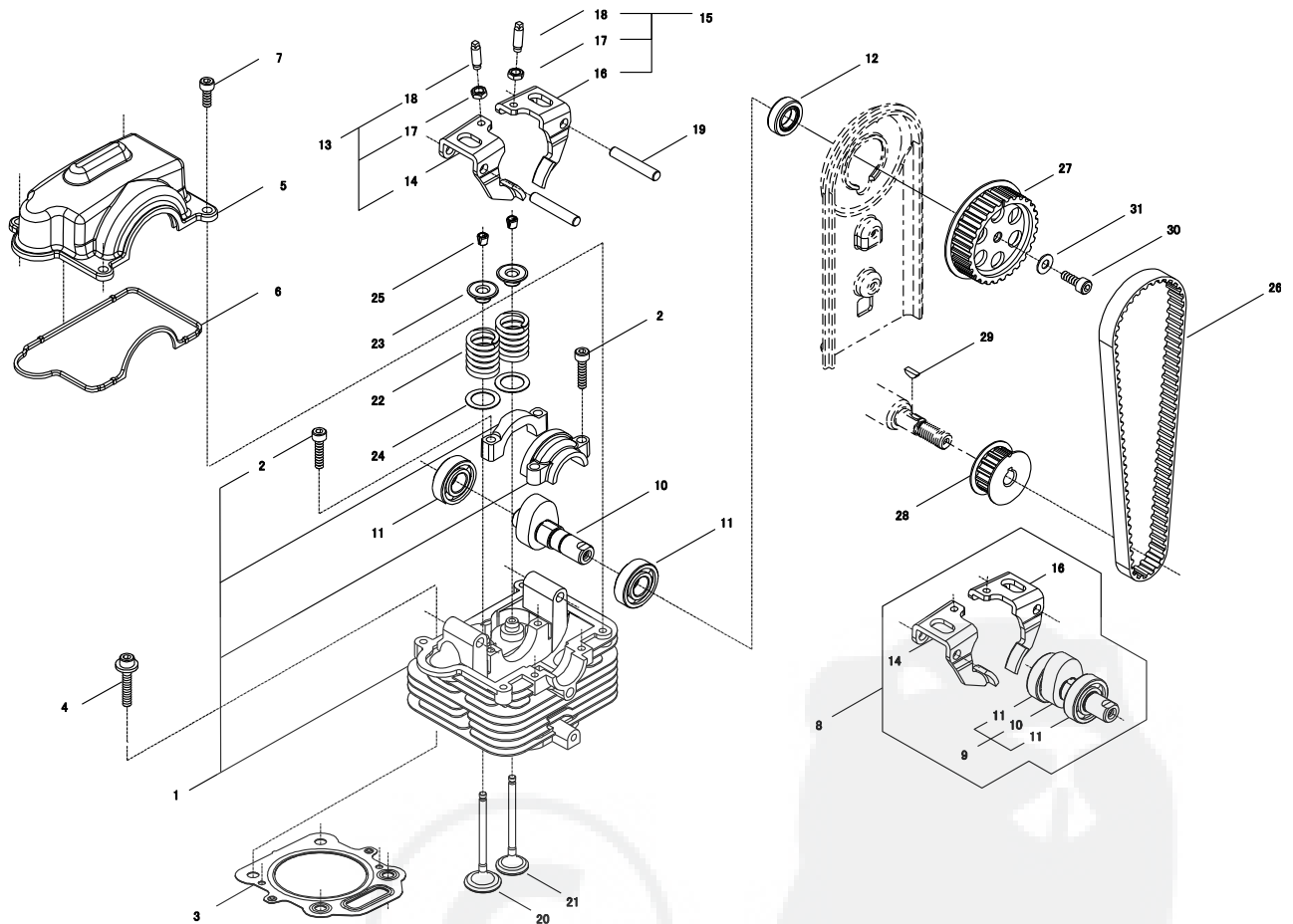
## **BLOWER EB8520RT(37)**

**37030001 - 37032670**

**CE**

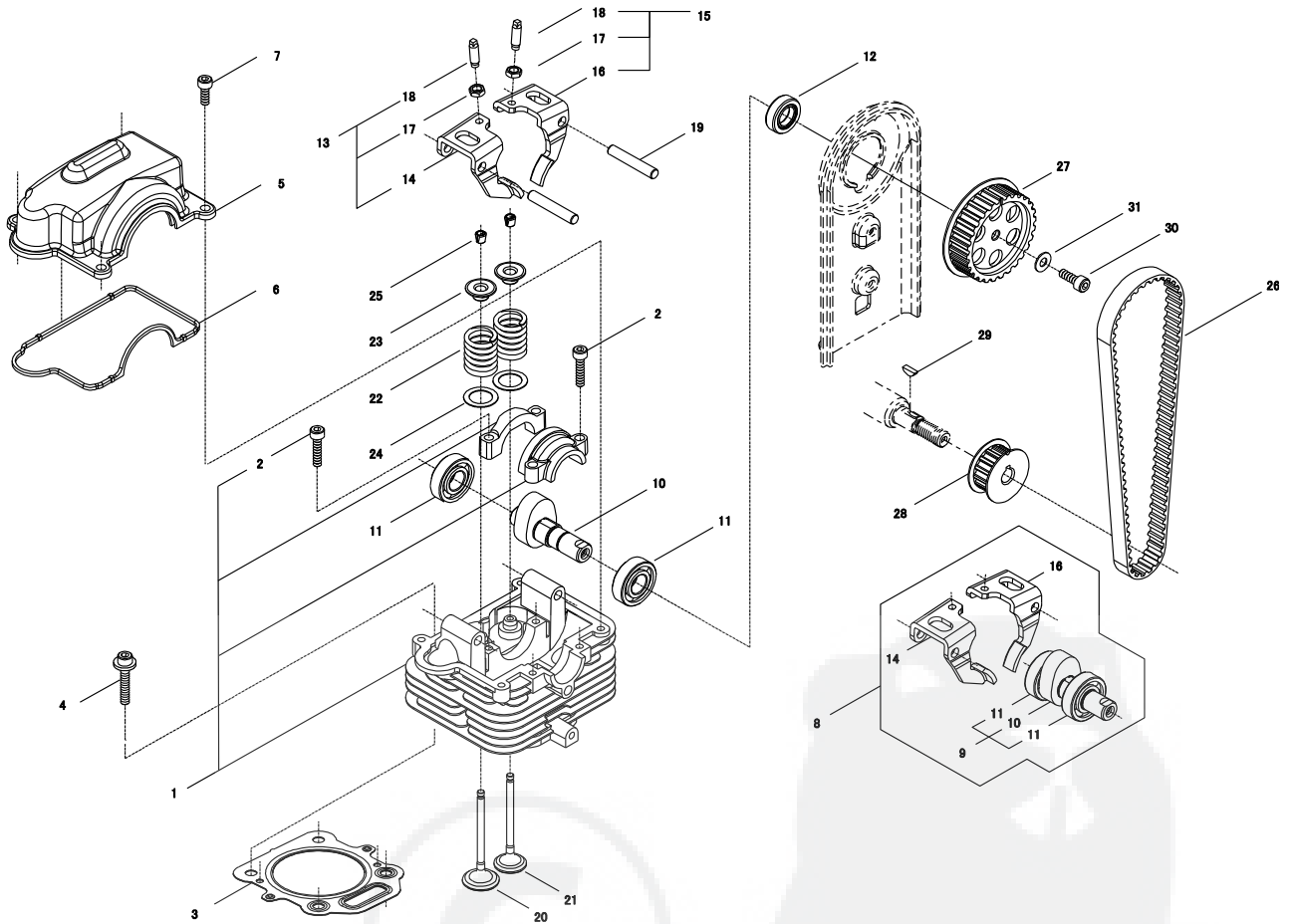
P016-000590-11Hb

## 1. CYLINDER HEAD, VALVE



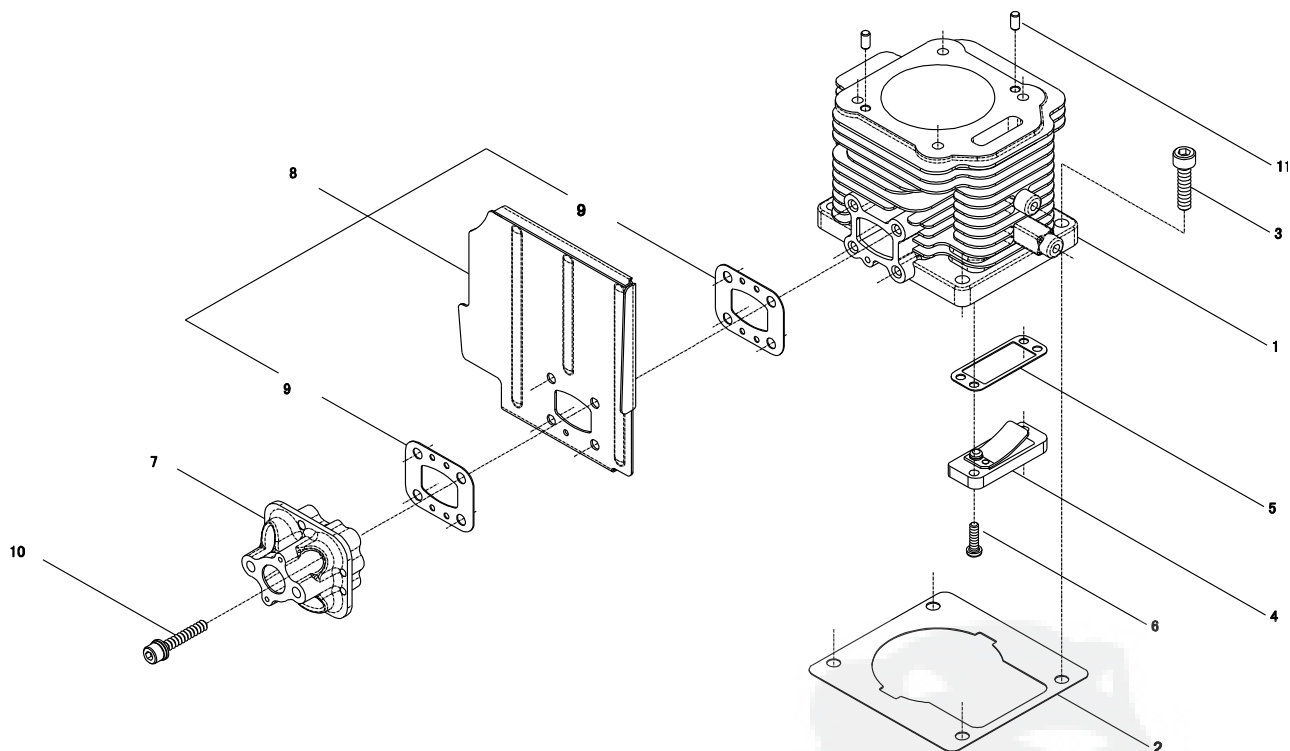
KEY	LV	PART NUMBER	Q'TY	DESCRIPTION	REMARKS	NOTE1	NOTE2
1		A133-000010	1	CYLINDER HEAD			
2	+	900105-05022	4	BOLT, H.S. 5*22	5*22		
3		V101-000000	1	GASKET			
4		V204-000400	4	FLANGE BOLT			
5		A137-000010	1	ROCKER ARM COVER			
6		V109-000070	1	GASKET			
7		900105-05016	4	BOLT, H.S. 5*16	5*16		
8		P021-029550	1	CAM KIT			
9	+	A621-000000	1	CAM SHAFT COMP			
10	++	A621-000010	1	CAM SHAFT			
11	++	900800-36001	2	BEARING, BALL 6001	6001/C3		
14	+	A610-000020	1	ROCKER ARM			
16	+	A610-000040	1	ROCKER ARM			
12		V505-000020	1	SEAL, OIL 12	12*22*7		
13		A610-000030	1	LOCKER ARM-A			
14	+	A610-000020	1	ROCKER ARM			
17	+	V263-000230	1	NUT			
18	+	A613-000000	1	ADJUST SCREW			
15		A610-000010	1	LOCKER ARM-A			
16	+	A610-000040	1	ROCKER ARM			
17	+	V263-000230	1	NUT			
18	+	A613-000000	1	ADJUST SCREW			
19		V624-000060	2	ROLLER			
20		A603-000020	1	INTAKE VALVE			
21		A603-000030	1	EXHAUST VALVE			

1. CYLINDER HEAD, VALVE



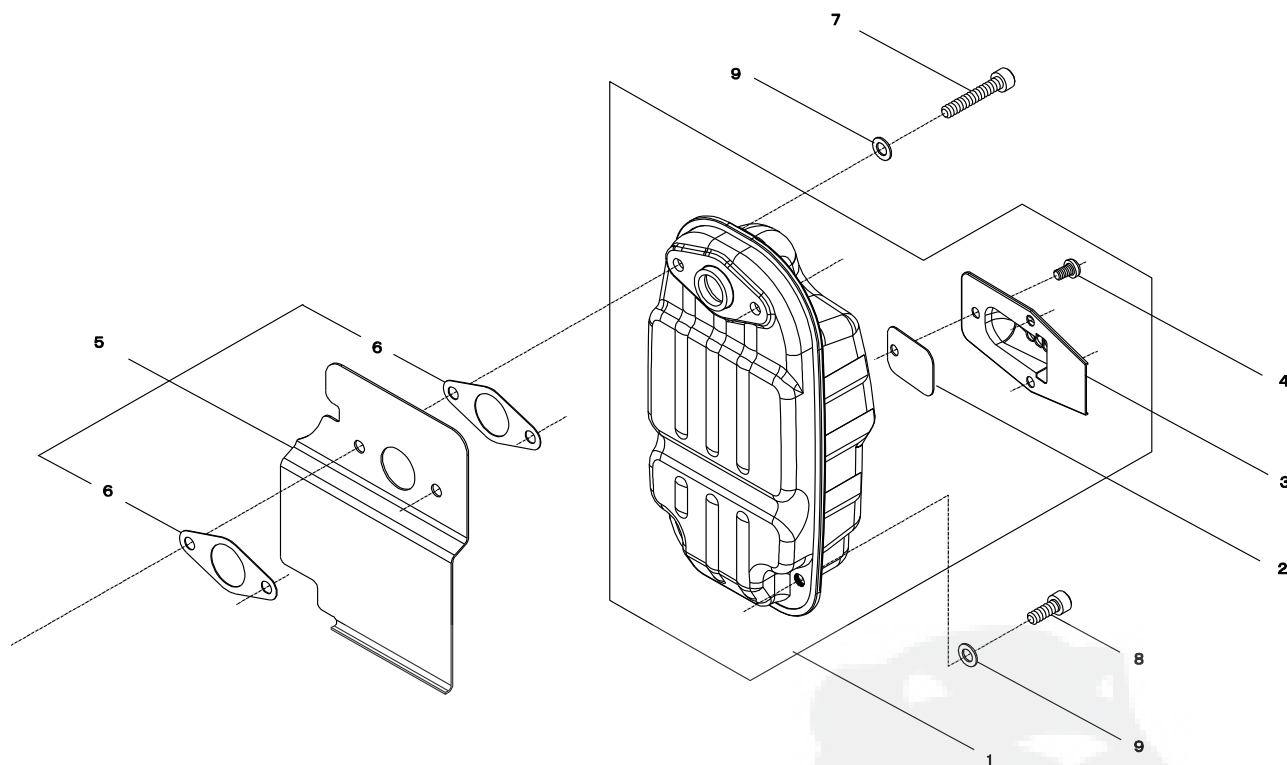
KEY	LV	PART NUMBER	Q'TY	DESCRIPTION	REMARKS	NOTE1	NOTE2
22		A604-000000	2	VALVE SPRING			
23		A606-000030	2	RETAINER			
24		V393-000000	2	PLATE			
25		A605-000010	4	COTTER			
26		V196-000110	1	BELT			
27		V176-000070	1	CAM PULLEY			
28		V176-000080	1	CRANK PULLEY			
29		V381-000030	1	KEY			
30		900105-05014	1	BOLT, H.S. 5*14	5*14		
31		900602-00005	1	WASHER 5	5.3*10*1		

2. CYLINDER



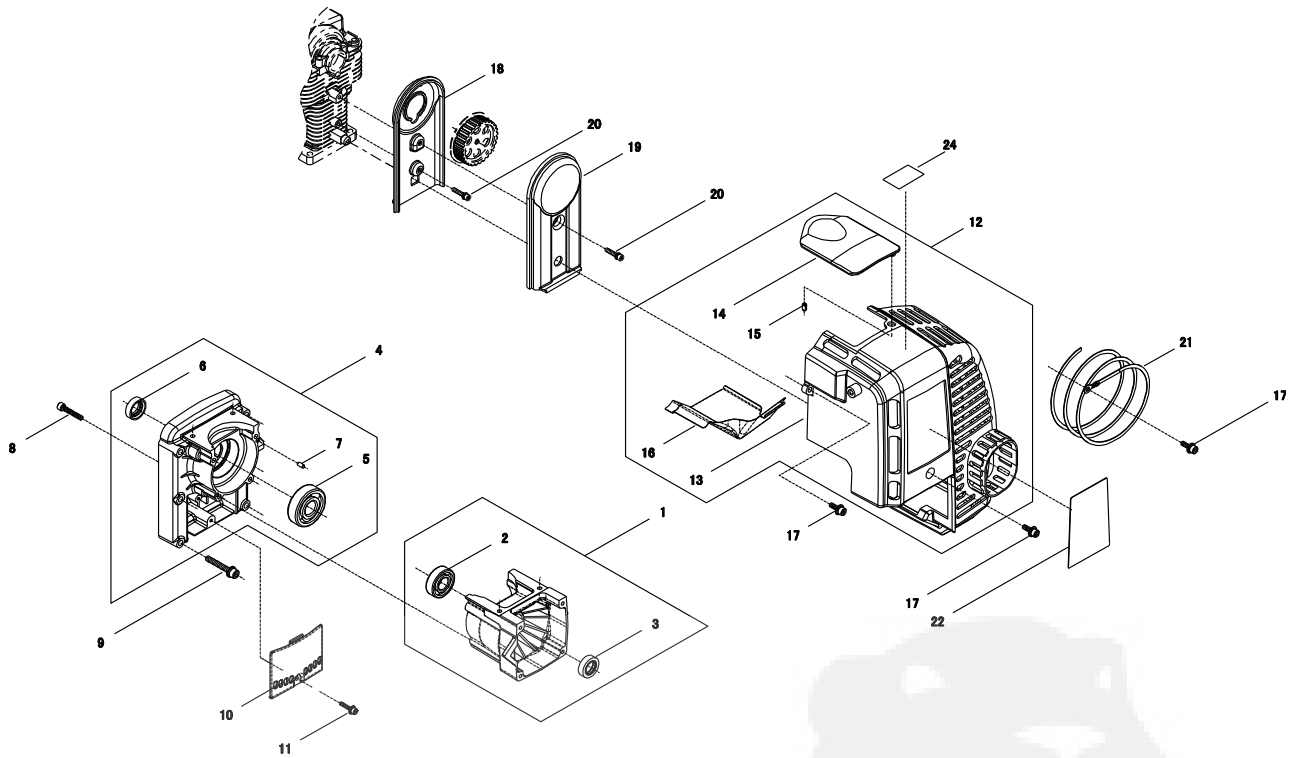
KEY	LV	PART NUMBER	Q'TY	DESCRIPTION	REMARKS	NOTE1	NOTE2
1		A130-001100	1	CYLINDER			
2		V100-000330	1	GASKET			
3		900105-06025	4	BOLT, H.S. 6*25	6*25		
4		A024-000030	1	REED VALVE ASSY			
5		V109-000080	1	GASKET			
6		91461-04014	2	SCREW			
7		A200-000420	1	INSULATOR			
8		A209-000230	1	BAFFLE PLATE COMP			
9	+	V103-000630	2	GASKET			
10		V203-000480	4	BOLT M5*30			
11		V622-000040	2	ROLLER			

3. MUFFLER



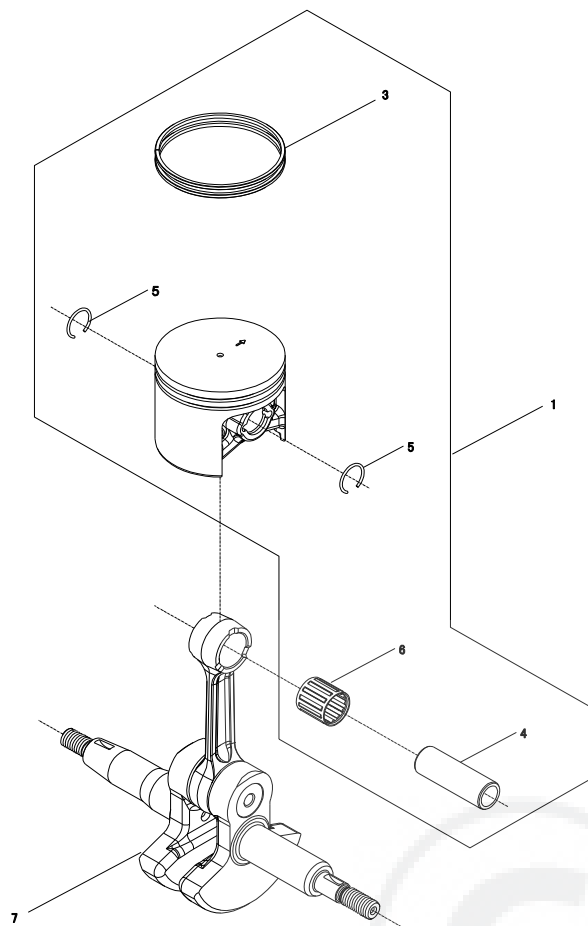
KEY	LV	PART NUMBER	Q'TY	DESCRIPTION	REMARKS	NOTE1	NOTE2
1		A030-000101	1	MUFFLER ASY			
2	+	A310-000160	1	SCREEN			
3	+	A313-001211	1	GUIDE, EXHAUST			
4	+	91338-05008	3	SCREW			
5		V104-001070	1	GASKET			
6	+	V104-001080	2	GASKET			
7		91109-06035	2	BOLT			
8		900105-06016	2	BOLT, H.S. 6*16	6*16		
9		900600-00006	4	WASHER 6	6		

## 4. CYLINDER COVER



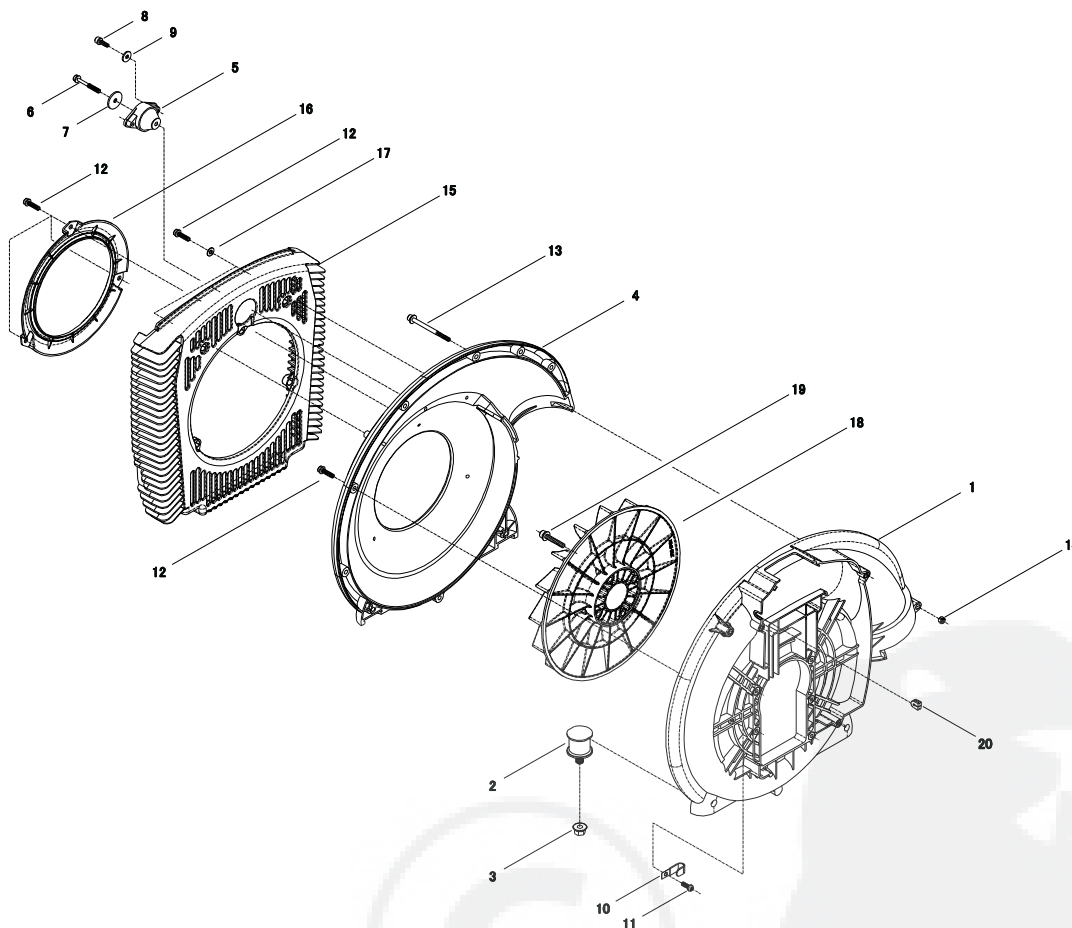
KEY	LV	PART NUMBER	Q'TY	DESCRIPTION	REMARKS	NOTE1	NOTE2
1		P021-029640	1	CRANKCASE,S-COMP			
2	+	V592-000290	1	BEARING, BALL	6202X47C3		
3	+	V508-000040	1	OIL SEAL			
4		P021-029650	1	CRANKCASE,M-COMP			
5	+	94000-36303	1	BEARING, BALL			
6	+	V508-000040	1	OIL SEAL			
7	+	V622-000040	2	ROLLER			
8		900105-05030	4	BOLT, H.S. 5*30	5*30		
9		V204-000370	6	BOLT ADHESIVE			
10		A127-000260	1	IGNITION COIL COVER			
11		V202-000190	1	BOLT SW			
12		P021-035390	1	ENGINE COVER COMP			
13	+	A190-001041	1	COVER,ENGINE			
14	+	A429-000080	1	GROMMET			
15	+	900342-40008	1	PIN, SPRING 4*8	4*8		
16	+	A322-000090	1	PLATE			
17		V203-000740	4	BOLT PM SPW			
18		C589-000750	1	BELT CASE			
19		C589-000760	1	BELT COVER			
20		V203-000700	2	BOLT SPW			
21		V485-002181	1	LEAD			
22		X543-003530	1	LABEL,MODEL	SHINDAIWA EB8520		
24		X505-002310	1	LABEL,CAUTION	HOT CAUTION		

5. PISTON, CRANKSHAFT



KEY	LV	PART NUMBER	Q'TY	DESCRIPTION	REMARKS	NOTE1	NOTE2
1		P021-029540	1	PISTON SET			
3	+	A101-000280	2	PISTON RING			
4	+	V610-000010	1	PISTON PIN			
5	+	V580-000060	2	SNAP RING			
6	+	V557-000030	1	BEARING, NEEDLE			
7		A011-000690	1	CRANK SHAFT			

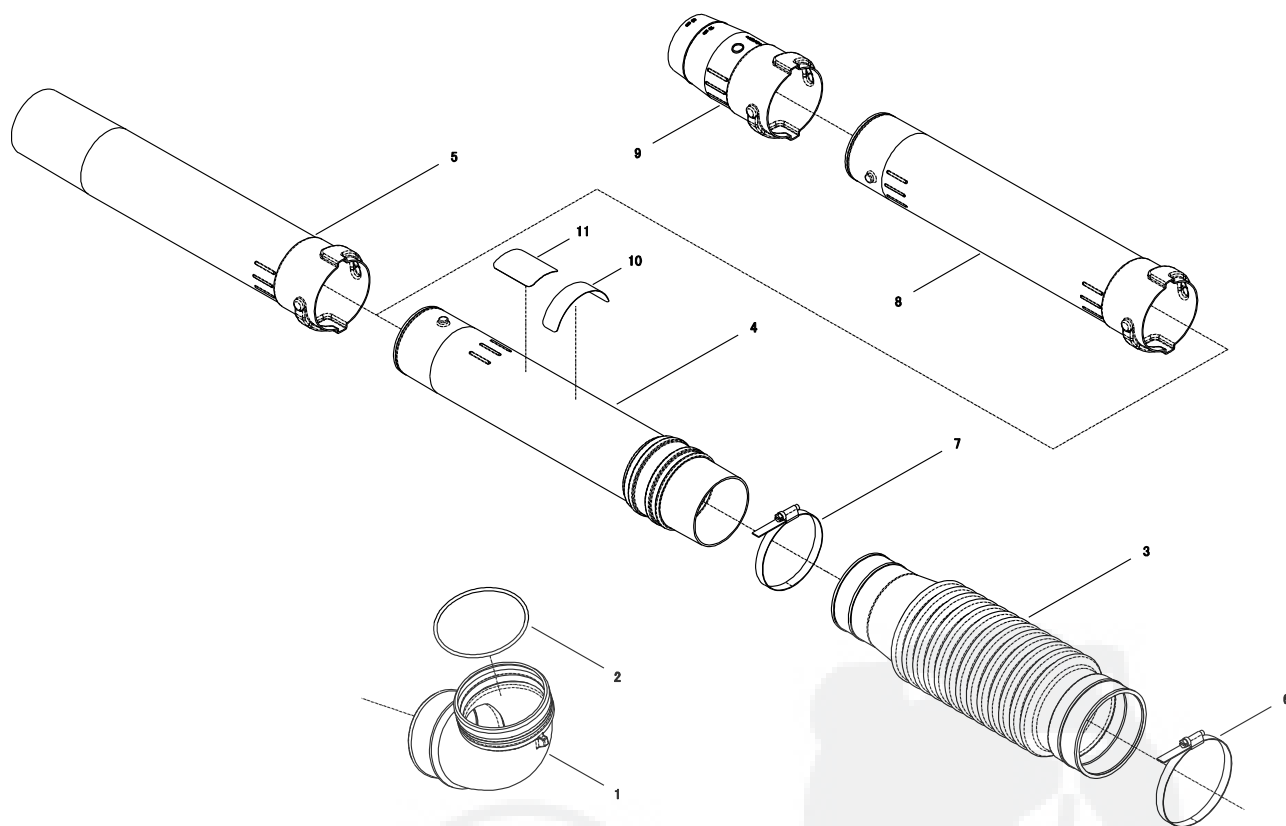
## 6. FAN CASE



KEY	LV	PART NUMBER	Q'TY	DESCRIPTION	REMARKS	NOTE1	NOTE2
1		E103-000882	1	CASE,FAN			
2		V402-000070	2	AV RUBBER			
3		V264-000090	2	FLANGE NUT			
4		E103-000871	1	CASE,FAN			
5		V401-000190	1	AV RUBBER			
6		V203-000440	1	BOLT TAPPING			
7		V303-000130	1	COLLAR			
8		V203-000720	2	BOLT SW			
9		V303-000370	2	WASHER,CIRCULAR 5	16*5.5*1.6		
10		V490-000480	1	CLAMP			
11		91449-05014	1	SCREW TAPPING			
12		V203-000450	14	BOLT PC			
13		V203-000490	2	BOLT SW			
14		V263-000110	2	NUT			
15		E104-000171	1	GRID, BLOWER			
16		A161-000100	1	FUNNEL			
17		900603-00005	2	WASHER 5	5.5*12*0.8		
18		E100-000170	1	FAN			
19		V204-000390	4	BOLT SW			
20		V144-000250	1	GROMMET			

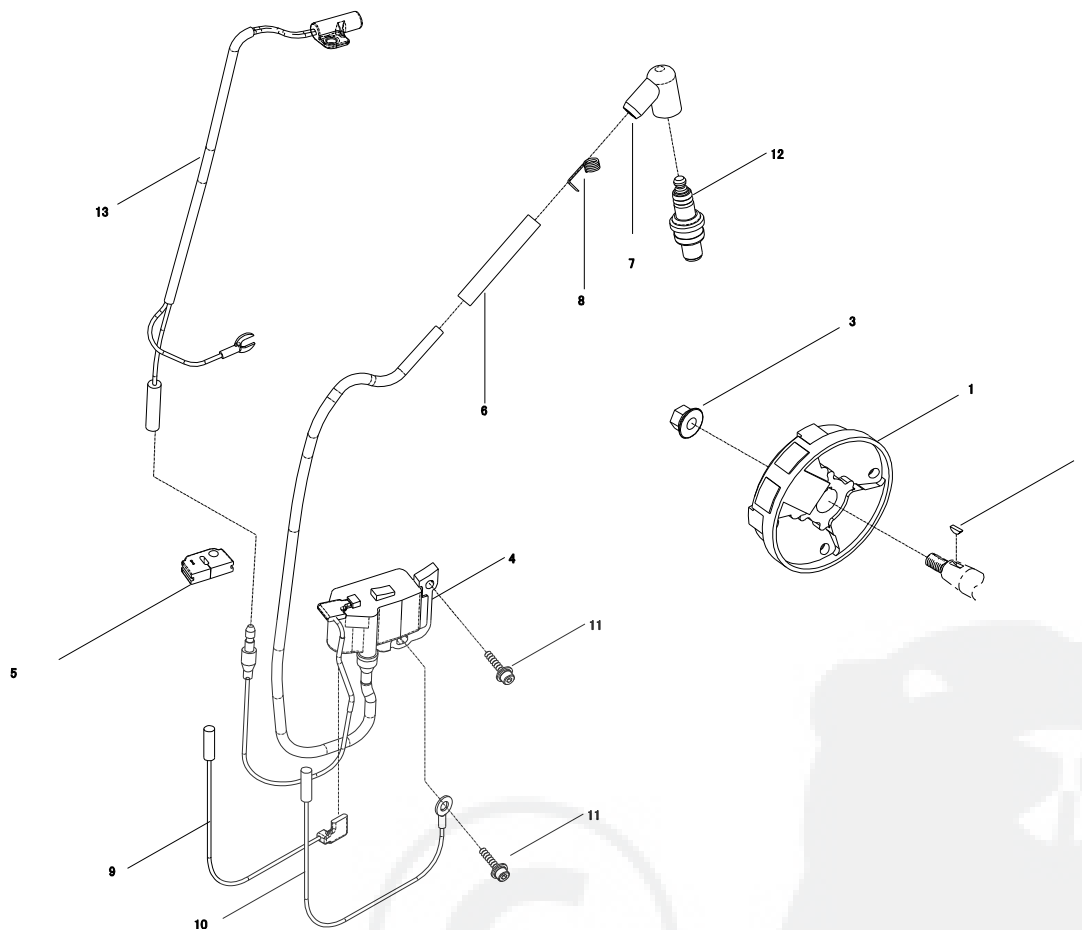


7. PIPE



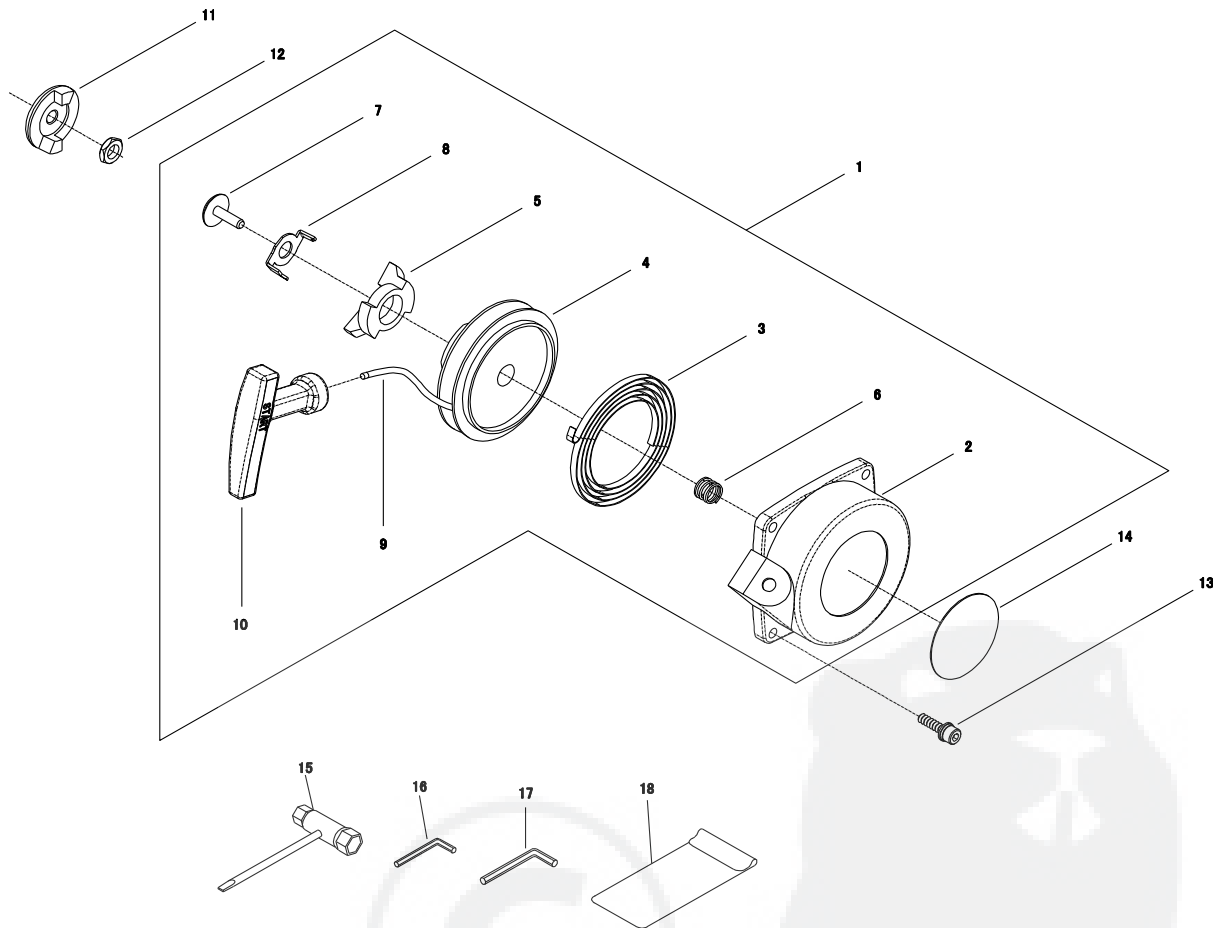
KEY	LV	PART NUMBER	Q'TY	DESCRIPTION	REMARKS	NOTE1	NOTE2
1		E160-000160	1	BEND PIPE			
2		V581-000170	1	O RING			
3		E164-000120	1	FLEXIBLE PIPE			
4		E165-000510	1	JOINT PIPE			
5		E165-000520	1	NOZZLE			
6		V495-001290	1	CLAMP			
7		V495-001300	1	CLAMP			
8		E165-000530	1	PIPE			
9		E165-000540	1	NOZZLE			
10		X505-002080	1	LABEL,CAUTION			
11		X505-002820	1	LABEL,CAUTION			

# 8. MAGNETO



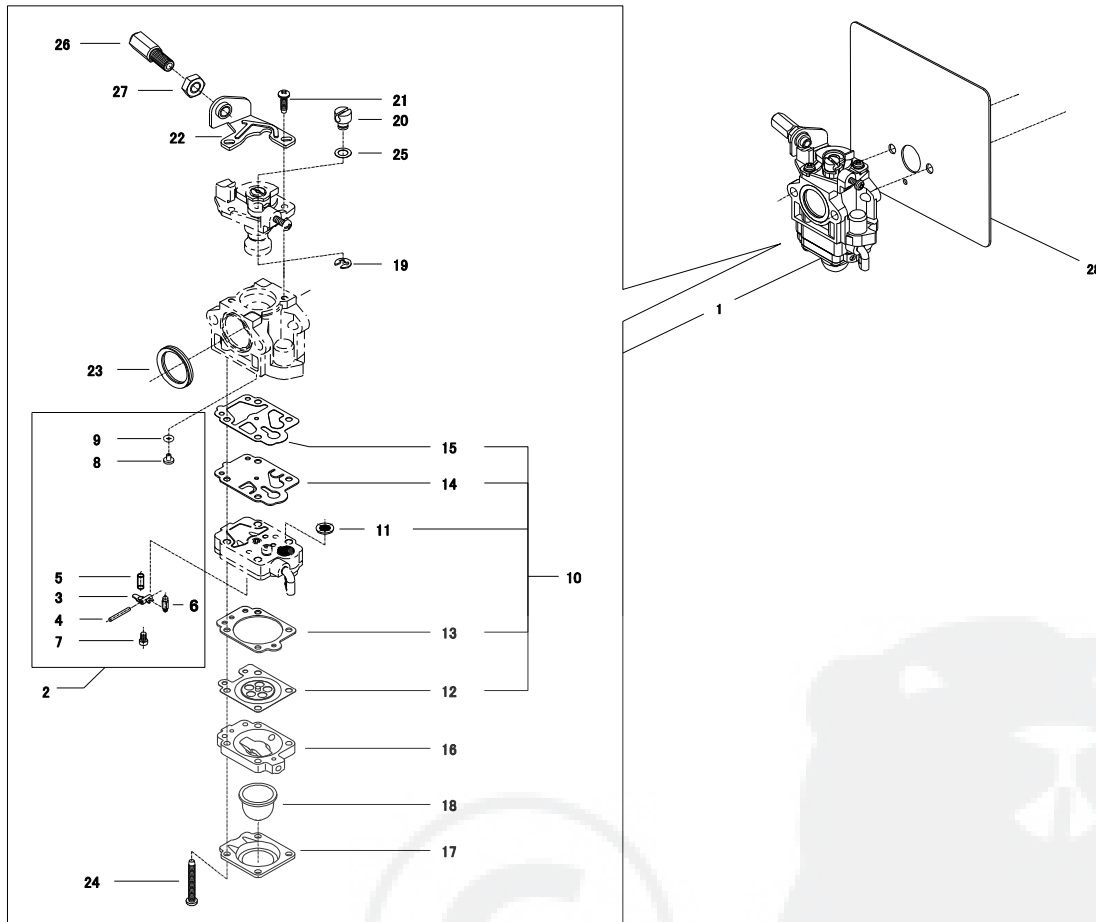
KEY	LV	PART NUMBER	QTY	DESCRIPTION	REMARKS	NOTE1	NOTE2
1		A409-000460	1	ROTOR			
2		V381-000030	1	KEY			
3		V265-000140	1	NUT			
4		A411-001140	1	COIL, IGNITION			
5		V144-000220	1	GROMMET			
6		V475-004430	1	TUBE			
7		A427-000050	1	PLUG CAP			
8		A426-000040	1	TERMINAL, SPARKPLUG			
9		V485-001360	1	LEAD WIRE			
10		V485-001350	1	LEAD WIRE			
11		V202-000190	2	BOLT SW			
12		A425-000040	1	SPARKPLUG	NGK CMR5H		
13		G365-000020	1	SENSOR			

## 9. RECOIL STARTER



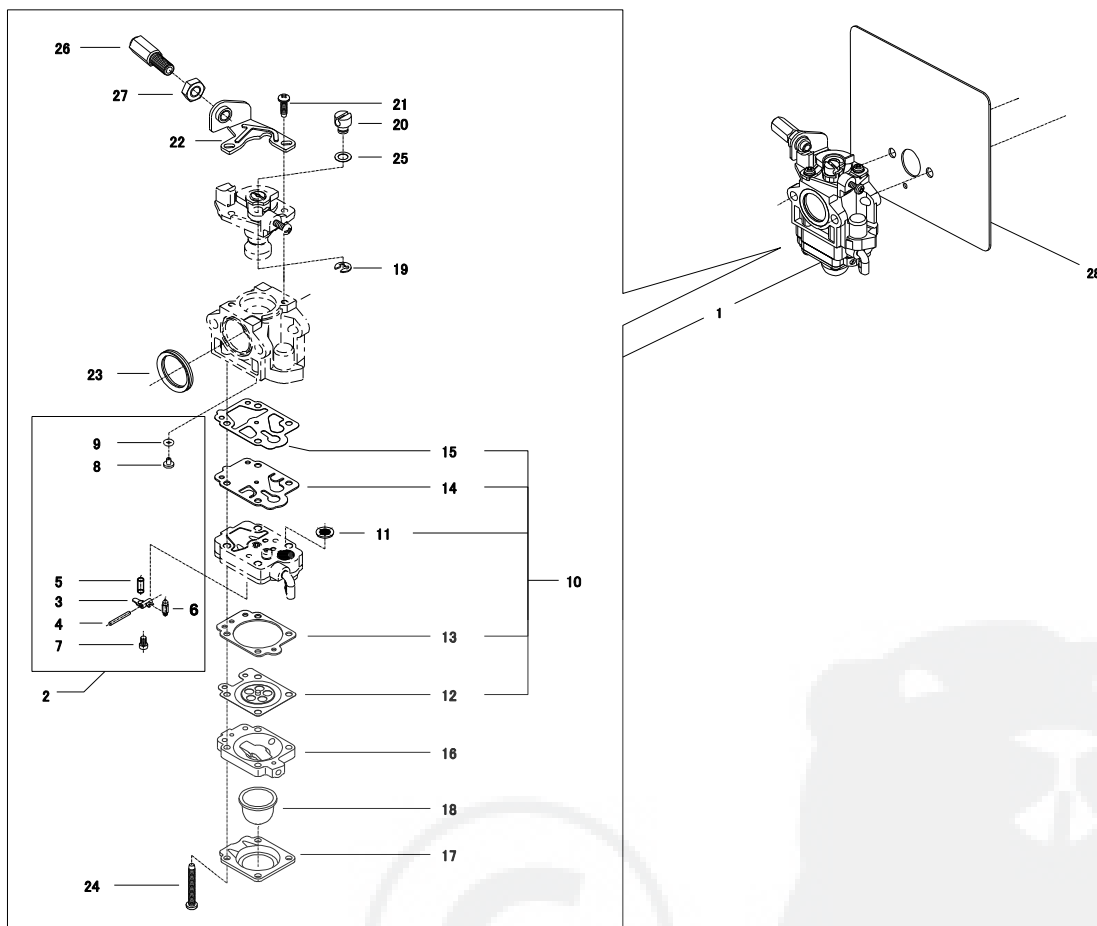
KEY	LV	PART NUMBER	Q'TY	DESCRIPTION	REMARKS	NOTE1	NOTE2
1		A051-001531	1	STARTER,RECOIL ASY			
2	+	A500-000670	1	STARTER CASE			
3	+	A504-000080	1	RECOIL SPRING			
4	+	A506-000170	1	REEL			
5	+	A518-000040	1	DOG			
6	+	V450-000830	1	BRAKE SPRING			
7	+	V253-000280	1	SCREW			
8	+	A606-000020	1	RETAINER			
9	+	A509-000090	1	ROPE			
10	+	A511-000120	1	KNOB			
11		A520-000110	1	STARTER PULLEY			
12		900503-00008	1	NUT	3N8*P1.0		
13		V203-000350	4	BOLT SPW			
14		X504-006750	1	LABEL,BRAND			
15		X602-000160	1	PLUG WRENCH			
16		X605-000100	1	TOOL,L WRENCH	4MM M5		
17		X605-000070	1	HEXA WRENCH 6MM			
18		X705-000130	1	POLY BAG			

## 10. CARBURETOR



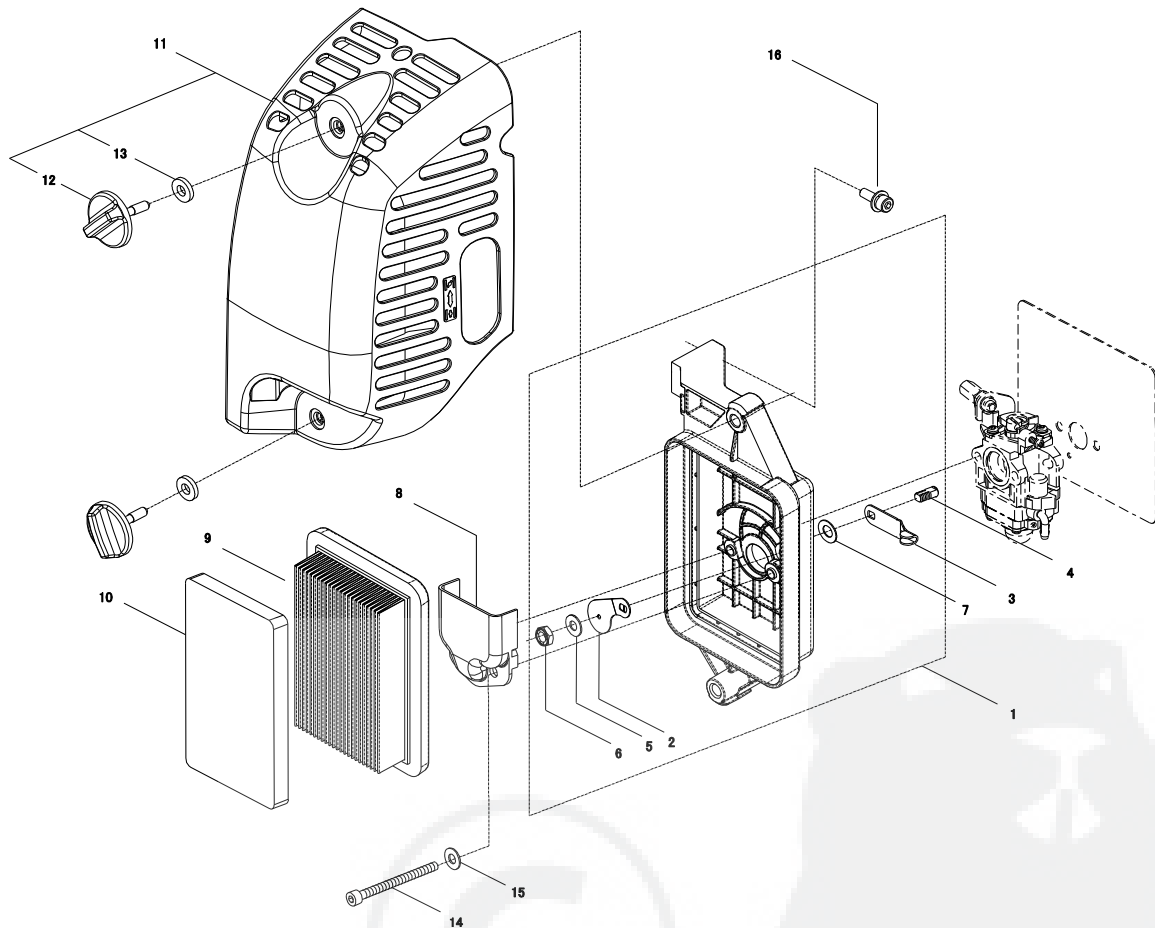
KEY	LV	PART NUMBER	Q'TY	DESCRIPTION	REMARKS	NOTE1	NOTE2
1		A021-002050	1	CARBURETOR ASSY			
2	+	68915-98330	1	VALVE-S			
3	++	123123-03930	1	LEVER, METERING			
4	++	123138-03930	1	PIN, METERING LEVER			
5	++	123122-05560	1	SPRING, METER. LEVER			
6	++	123137-19830	1	VALVE, INLET NEEDLE			
7	++	123139-05560	1	SCREW, M. LEVER PIN			
8	++	68913-81310	1	MAIN JET			
9	++	123183-40630	1	O-RING			
10	+	P050-008580	1	KIT GASKET			
11	++	123126-10631	1	SCREEN, INLET			
12	++	P003-000090	1	METERING, DIAPHRAGM			
13	++	123140-05560	1	GASKET, M. DIAPHRAGM			
14	++	123112-40630	1	DIAPHRAGM, PUMP			
15	++	123125-40630	1	GASKET, PUMP			
16	+	123180-05560	1	BODY, AIR PURGE			
17	+	123142-05560	1	COVER, PRIMER PUMP			
18	+	123181-40630	1	PUMP, PRIMER			
19	+	123173-07930	1	CLIP			
20	+	123172-45130	1	SWIVEL			
21	+	123114-40630	2	SCREW			
22	+	123128-54230	1	BRACKET, IDLE ADJUST			
23	+	123143-12110	1	RING, PACKING			
24	+	123110-05560	4	SCREW, PUMP COVER			
25	+	123149-54230	1	WASHER			

# 10. CARBURETOR



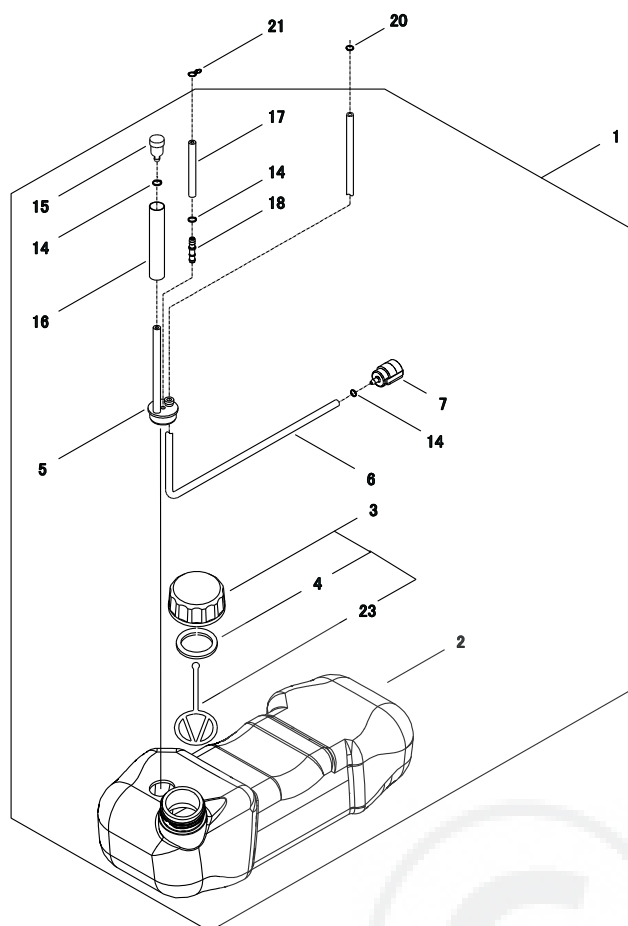
KEY	LV	PART NUMBER	Q'TY	DESCRIPTION	REMARKS	NOTE1	NOTE2
26	+	123161-56431	1	SCREW, ADJUSTER			
27	+	123153-56430	1	NUT, ADJUSTER			
28		V103-000650	1	GASKET			

## 11. AIR CLEANER



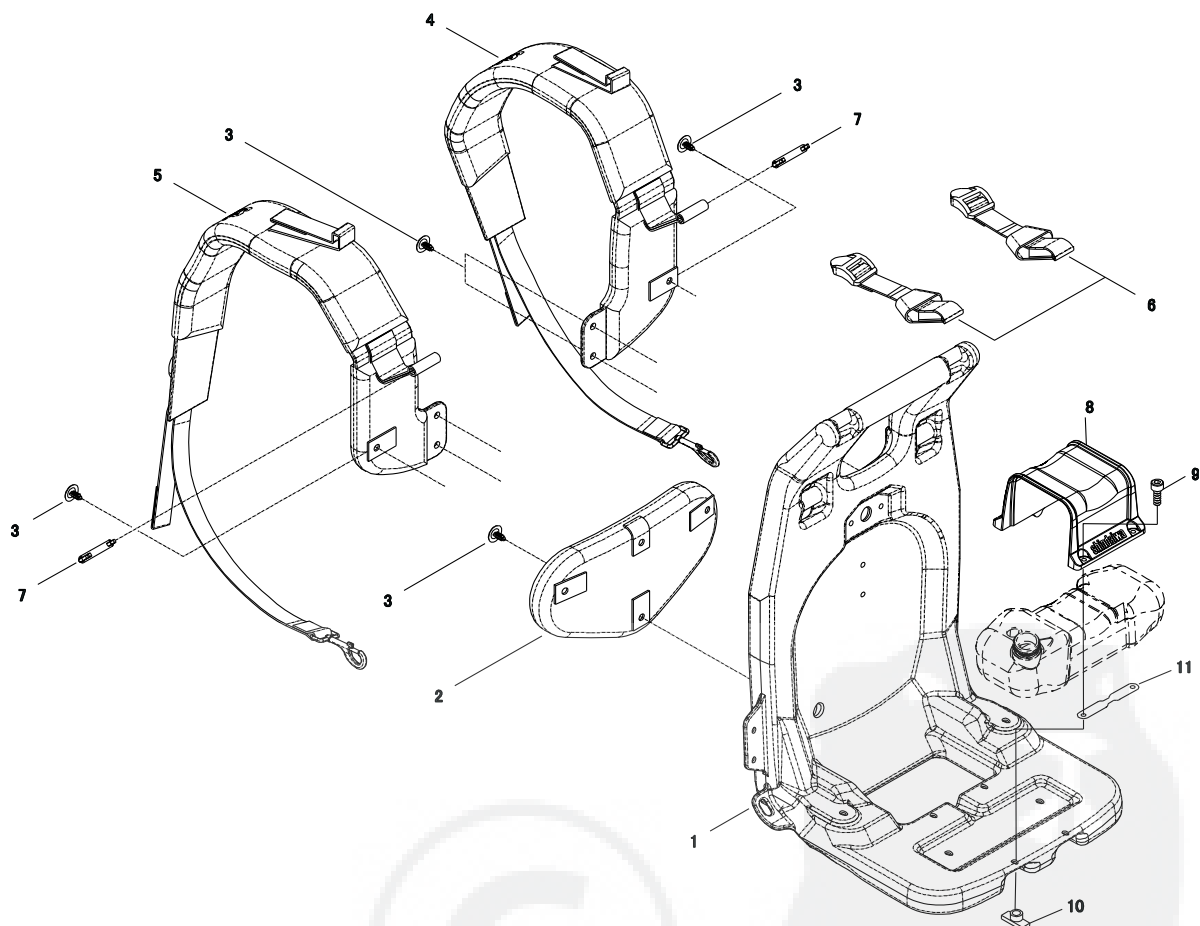
KEY	LV	PART NUMBER	QTY	DESCRIPTION	REMARKS	NOTE1	NOTE2
1		P021-029660	1	CLEANER BODY ASSY			
2	+	A243-000250	1	SHUTTER,CHOKE			
3	+	A242-000120	1	CHOKE LEVER			
4	+	E140-000090	1	CHOKE SHAFT			
5	+	900605-00006	1	WASHER, SPRING 6	6		
6	+	V264-000110	1	U NUT			
7	+	V347-000030	1	CONE WASHER			
8		A244-000110	1	PLATE			
9		A226-000530	1	FILTER			
10		A226-000540	1	PREFILTER			
11		P021-035400	4	CLEANER COVER ASSY			
12	+	A235-000270	2	KNOB,CLEANER LID			
13	+	V323-000080	2	COLLAR			
14		91109-05070	2	BOLT			
15		900602-00005	2	WASHER 5	5.3*10*1		
16		V203-000350	1	BOLT SPW			

## 12. FUEL TANK



KEY	LV	PART NUMBER	Q'TY	DESCRIPTION	REMARKS	NOTE1	NOTE2
1		A038-000501	1	TANK ASY, FUEL			
2	+	A350-001781	1	TANK,FUEL			
3	+	P021-014060	1	CAP ,FUER ASSY			
4	++	131016-55830	1	GASKET, FUEL CAP			
23	++	131051-56030	1	CLIP, FUEL CAP	100L		
5	+	V470-000890	1	GROMMET			
6	+	V471-002410	1	FUEL PIPE			
7	+	A369-000000	1	STRAINER, FUEL	125-528		
14	+	V490-000500	3	CLIP			
15	+	131300-56431	1	VENT ASSEMBLY, FUEL			
16	+	V471-003070	1	PIPE			
17	+	V471-003060	1	PIPE			
18	+	V186-000210	1	JOINT			
20		V490-000500	1	CLIP			
21		V490-000510	1	CLIP			

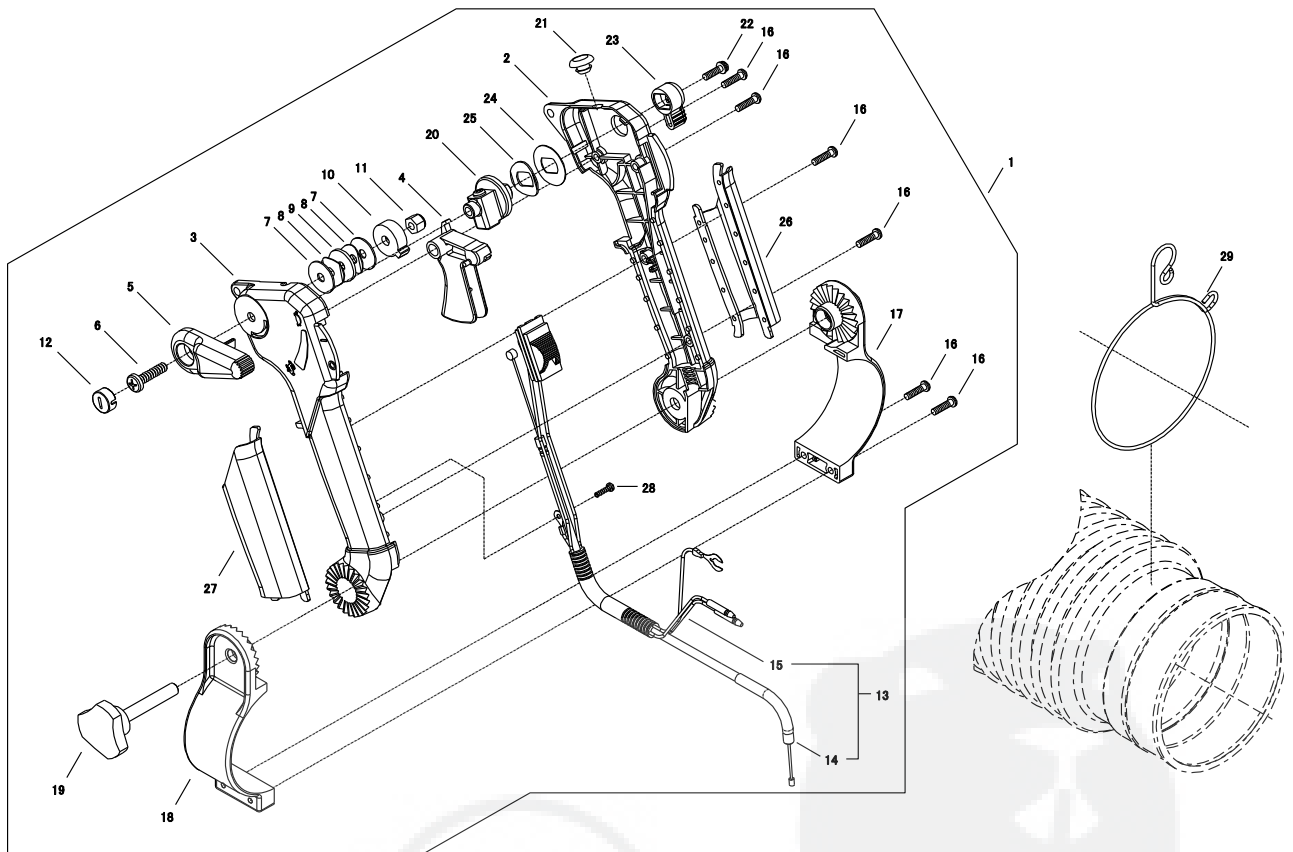
## 13. BACKPACK HARNESS



KEY	LV	PART NUMBER	Q'TY	DESCRIPTION	REMARKS	NOTE1	NOTE2
1		C620-000352	1	FRAME, BACKPACK			
2		C630-000090	1	PAD			
3		V491-000260	8	CLIP			
4		C640-000031	1	HARNESS, BACKPACK			
5		C640-000041	1	HARNESS, BACKPACK			
6		C642-000010	2	BAND			
7		V491-000040	2	CLIP			
8		A392-000150	1	BAND, FUEL TANK			
9		V203-000740	4	BOLT PM SPW			
10		V279-000030	4	NUT,T			
11		V376-001730	2	SPACER	T1.6		

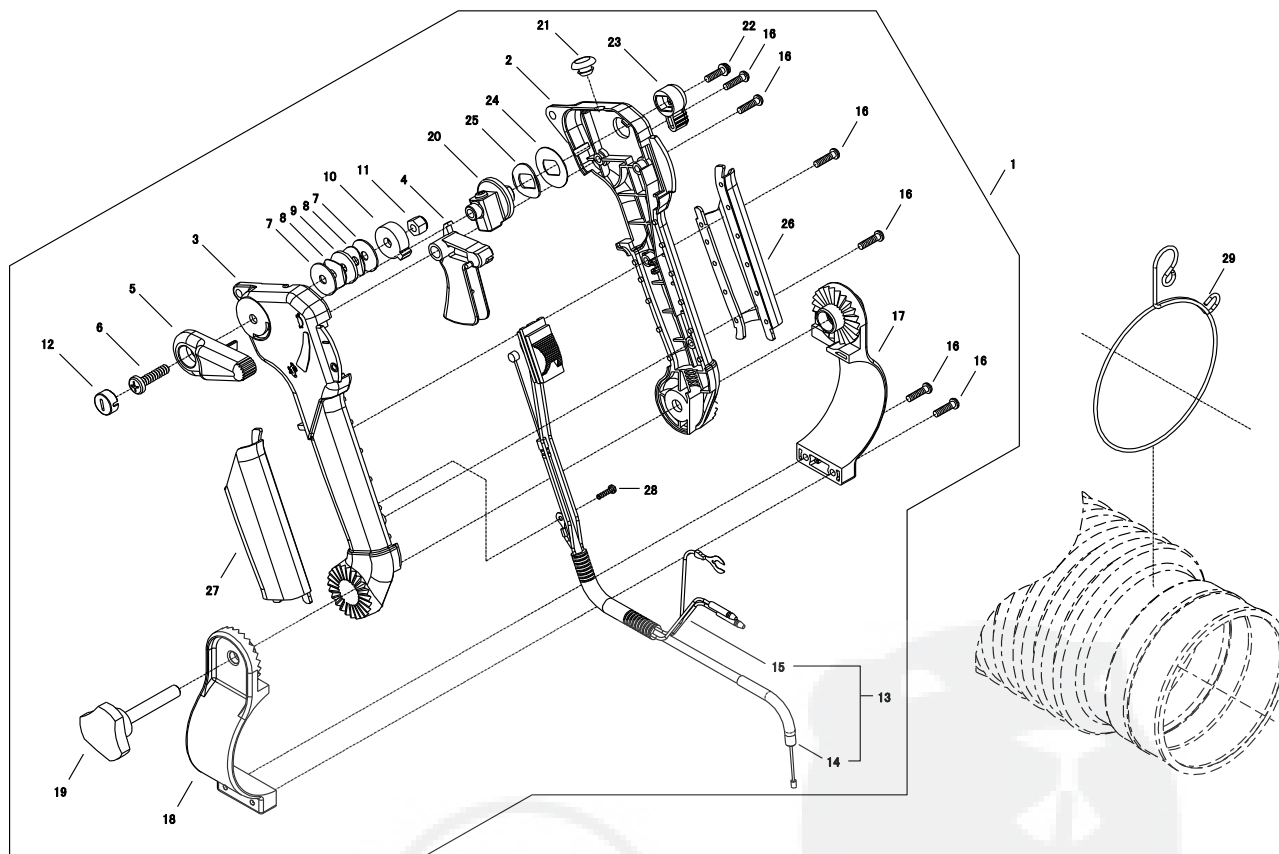


## 14. THROTTLE LEVER



KEY	LV	PART NUMBER	Q'TY	DESCRIPTION	REMARKS	NOTE1	NOTE2
1		C044-000321	1	CONTROL, THROTTLE			
2	+	C400-000571	1	HANDLE, FRONT	RIGHT		
3	+	C400-000581	1	HANDLE, FRONT	LEFT		
4	+	C450-000450	1	THROTTLE LEVER			
5	+	C453-000320	1	LOCK LEVER			
6	+	V204-000260	1	ADJUST BOLT			
7	+	V304-000110	2	WASHER			
8	+	V453-000110	2	ADJ SPRING			
9	+	V304-000120	1	WASHER			
10	+	C472-000070	1	PLATE			
11	+	V264-000080	1	NYLON NUT			
12	+	V162-000330	1	RUBBER CAP			
13	+	V043-000380	1	THROTTLE CABLE COMP			
14	++	V430-002560	1	THROTTLE CABLE			
15	++	A440-001360	1	SWITCH			
16	+	V252-000070	6	SCREW			
17	+	C405-000390	1	BAND LEFT			
18	+	C405-000380	1	BAND RIGHT			
19	+	V299-000330	1	KNOB BOLT			
20	+	C457-000010	1	ADJUSTER ASSY			
21	+	V162-000340	1	PLUG			
22	+	V252-000080	1	SCREW			
23	+	C453-000330	1	SUB LEVER			
24	+	V345-000010	1	WASHER			
25	+	V453-000120	1	ADJ SPRING			

14. THROTTLE LEVER



KEY	LV	PART NUMBER	Q'TY	DESCRIPTION	REMARKS	NOTE1	NOTE2
26	+	C412-000240	1	GRIP			
27	+	C412-000250	1	GRIP			
28	+	V251-000030	1	SCREW			
29		V490-000490	1	CLAMP			

**Index**

<b>Patrs Number</b>	<b>Key No.</b>	<b>Patrs Number</b>	<b>Key No.</b>	<b>Patrs Number</b>	<b>Key No.</b>
123110-05560	10 - 24	A024-000030	2 - 4	A610-000040	1 - 16
123112-40630	10 - 14	A030-000101	3 - 1	A610-000040	1 - 16
123114-40630	10 - 21	A038-000501	12 - 1	A613-000000	1 - 18
123122-05560	10 - 5	A051-001531	9 - 1	A613-000000	1 - 18
123123-03930	10 - 3	A101-000280	5 - 3	A621-000000	1 - 9
123125-40630	10 - 15	A127-000260	4 - 10	A621-000010	1 - 10
123126-10631	10 - 11	A130-001100	2 - 1	C044-000321	14 - 1
123128-54230	10 - 22	A133-000010	1 - 1	C400-000571	14 - 2
123137-19830	10 - 6	A137-000010	1 - 5	C400-000581	14 - 3
123138-03930	10 - 4	A161-000100	6 - 16	C405-000380	14 - 18
123139-05560	10 - 7	A190-001041	4 - 13	C405-000390	14 - 17
123140-05560	10 - 13	A200-000420	2 - 7	C412-000240	14 - 26
123142-05560	10 - 17	A209-000230	2 - 8	C412-000250	14 - 27
123143-12110	10 - 23	A226-000530	11 - 9	C450-000450	14 - 4
123149-54230	10 - 25	A226-000540	11 - 10	C453-000320	14 - 5
123153-56430	10 - 27	A235-000270	11 - 12	C453-000330	14 - 23
123161-56431	10 - 26	A242-000120	11 - 3	C457-000010	14 - 20
123172-45130	10 - 20	A243-000250	11 - 2	C472-000070	14 - 10
123173-07930	10 - 19	A244-000110	11 - 8	C589-000750	4 - 18
123180-05560	10 - 16	A310-000160	3 - 2	C589-000760	4 - 19
123181-40630	10 - 18	A313-001211	3 - 3	C620-000352	13 - 1
123183-40630	10 - 9	A322-000090	4 - 16	C630-000090	13 - 2
131016-55830	12 - 4	A350-001781	12 - 2	C640-000031	13 - 4
131051-56030	12 - 23	A369-000000	12 - 7	C640-000041	13 - 5
131300-56431	12 - 15	A392-000150	13 - 8	C642-000010	13 - 6
68913-81310	10 - 8	A409-000460	8 - 1	E100-000170	6 - 18
68915-98330	10 - 2	A411-001140	8 - 4	E103-000871	6 - 4
900105-05014	1 - 30	A425-000040	8 - 12	E103-000882	6 - 1
900105-05016	1 - 7	A426-000040	8 - 8	E104-000171	6 - 15
900105-05022	1 - 2	A427-000050	8 - 7	E140-000090	11 - 4
900105-05030	4 - 8	A429-000080	4 - 14	E160-000160	7 - 1
900105-06016	3 - 8	A440-001360	14 - 15	E164-000120	7 - 3
900105-06025	2 - 3	A500-000670	9 - 2	E165-000510	7 - 4
900342-40008	4 - 15	A504-000080	9 - 3	E165-000520	7 - 5
900503-00008	9 - 12	A506-000170	9 - 4	E165-000530	7 - 8
900600-00006	3 - 9	A509-000090	9 - 9	E165-000540	7 - 9
900602-00005	1 - 31	A511-000120	9 - 10	G365-000020	8 - 13
900602-00005	11 - 15	A518-000040	9 - 5	P003-000090	10 - 12
900603-00005	6 - 17	A520-000110	9 - 11	P021-014060	12 - 3
900605-00006	11 - 5	A603-000020	1 - 20	P021-029540	5 - 1
900800-36001	1 - 11	A603-000030	1 - 21	P021-029550	1 - 8
91109-05070	11 - 14	A604-000000	1 - 22	P021-029640	4 - 1
91109-06035	3 - 7	A605-000010	1 - 25	P021-029650	4 - 4
91338-05008	3 - 4	A606-000020	9 - 8	P021-029660	11 - 1
91449-05014	6 - 11	A606-000030	1 - 23	P021-035390	4 - 12
91461-04014	2 - 6	A610-000010	1 - 15	P021-035400	11 - 11
94000-36303	4 - 5	A610-000020	1 - 14	P050-008580	10 - 10
A011-000690	5 - 7	A610-000020	1 - 14	V043-000380	14 - 13
A021-002050	10 - 1	A610-000030	1 - 13	V100-000330	2 - 2

**Index**

<b>Patrs Number</b>	<b>Key No.</b>	<b>Patrs Number</b>	<b>Key No.</b>	<b>Patrs Number</b>	<b>Key No.</b>
V101-000000	1 - 3	V345-000010	14 - 24		
V103-000630	2 - 9	V347-000030	11 - 7		
V103-000650	10 - 28	V376-001730	13 - 11		
V104-001070	3 - 5	V381-000030	1 - 29		
V104-001080	3 - 6	V381-000030	8 - 2		
V109-000070	1 - 6	V393-000000	1 - 24		
V109-000080	2 - 5	V401-000190	6 - 5		
V144-000220	8 - 5	V402-000070	6 - 2		
V144-000250	6 - 20	V430-002560	14 - 14		
V162-000330	14 - 12	V450-000830	9 - 6		
V162-000340	14 - 21	V453-000110	14 - 8		
V176-000070	1 - 27	V453-000120	14 - 25		
V176-000080	1 - 28	V470-000890	12 - 5		
V186-000210	12 - 18	V471-002410	12 - 6		
V196-000110	1 - 26	V471-003060	12 - 17		
V202-000190	4 - 11	V471-003070	12 - 16		
V202-000190	8 - 11	V475-004430	8 - 6		
V203-000350	9 - 13	V485-001350	8 - 10		
V203-000350	11 - 16	V485-001360	8 - 9		
V203-000440	6 - 6	V485-002181	4 - 21		
V203-000450	6 - 12	V490-000480	6 - 10		
V203-000480	2 - 10	V490-000490	14 - 29		
V203-000490	6 - 13	V490-000500	12 - 14		
V203-000700	4 - 20	V490-000500	12 - 20		
V203-000720	6 - 8	V490-000510	12 - 21		
V203-000740	4 - 17	V491-000040	13 - 7		
V203-000740	13 - 9	V491-000260	13 - 3		
V204-000260	14 - 6	V495-001290	7 - 6		
V204-000370	4 - 9	V495-001300	7 - 7		
V204-000390	6 - 19	V505-000020	1 - 12		
V204-000400	1 - 4	V508-000040	4 - 3		
V251-000030	14 - 28	V508-000040	4 - 6		
V252-000070	14 - 16	V557-000030	5 - 6		
V252-000080	14 - 22	V580-000060	5 - 5		
V253-000280	9 - 7	V581-000170	7 - 2		
V263-000110	6 - 14	V592-000290	4 - 2		
V263-000230	1 - 17	V610-000010	5 - 4		
V263-000230	1 - 17	V622-000040	2 - 11		
V264-000080	14 - 11	V622-000040	4 - 7		
V264-000090	6 - 3	V624-000060	1 - 19		
V264-000110	11 - 6	X504-006750	9 - 14		
V265-000140	8 - 3	X505-002080	7 - 10		
V279-000030	13 - 10	X505-002310	4 - 24		
V299-000330	14 - 19	X505-002820	7 - 11		
V303-000130	6 - 7	X543-003530	4 - 22		
V303-000370	6 - 9	X602-000160	9 - 15		
V304-000110	14 - 7	X605-000070	9 - 17		
V304-000120	14 - 9	X605-000100	9 - 16		
V323-000080	11 - 13	X705-000130	9 - 18		

# YAMABIKO CORPORATION

7-2 SUEHIROCHO 1-CHOME, OHME, TOKYO 198-8760, JAPAN  
PHONE: 81-428-32-6118. FAX: 81-428-32-6145.

The logo consists of a stylized lowercase 's' inside a circle, followed by the word 'shindaiwa' in a bold, lowercase sans-serif font with a registered trademark symbol (®) to its upper right.

**shindaiwa®**



11Hb  
No. 03-395