

Shindaiwa Illustrated Parts List

EB500 CE Blower

| | |
|------------------------------|---|
| CYLINDER / MUFFLER..... | 2 |
| CRANKCASE..... | 3 |
| VOLUTE / THROTTLE LEVER..... | 4 |
| ROTOR / COIL ASSEMBLY..... | 5 |
| RECOIL STARTER..... | 6 |
| FUEL TANK..... | 7 |
| CARBURETOR / CLEANER..... | 8 |
| PISTON / CRANKSHAFT..... | 9 |
| TOOL SET..... | 9 |

www.shindaiwa.com

11975 SW Herman Road

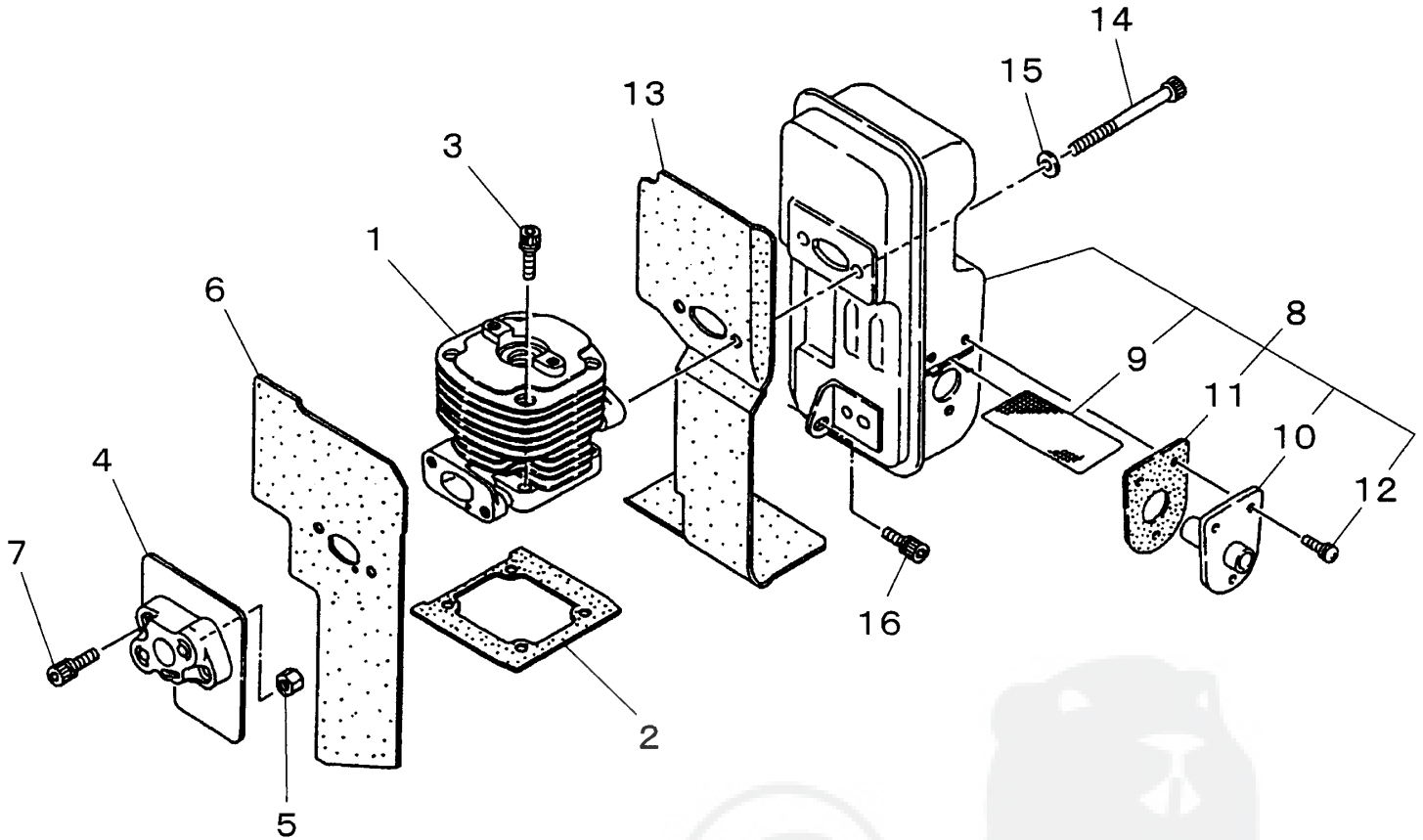
Tualatin, Oregon 97062, U.S.A.

1 + 503.692.3070 • fax 1 + 503.692.6696 •

shindaiwa

CYLINDER / MUFFLER

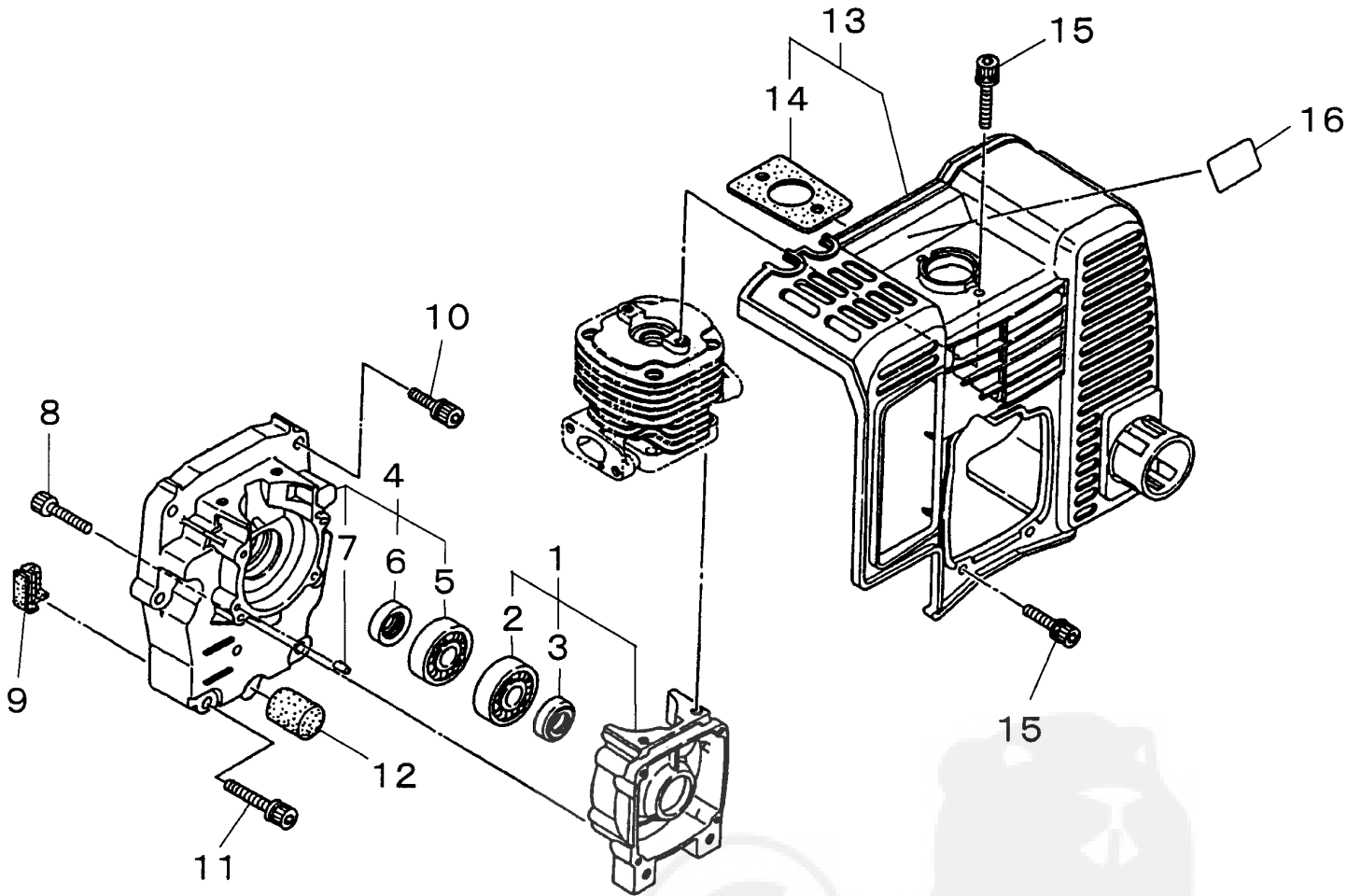
ILLUSTRATION 1 - REV 11/02



| Ref. No | Part No. | Part Name | Q'ty |
|---------|-------------|------------------|------|
| 1-1 | 72935-12111 | CYLINDER | 1 |
| 2 | 72935-12120 | GASKET | 1 |
| 3 | 11060-05253 | BOLT ADHESIVE | 4 |
| 4 | 68200-12210 | INSULATOR | 1 |
| 5 | 20011-12260 | NUT | 2 |
| 6 | 72935-12221 | GASKET | 1 |
| 7 | 22160-31150 | BOLT SW | 2 |
| 8 | 68200-15010 | MUFFLER ASSEMBLY | 1 |
| 9 | 70029-15120 | *ARRESTER | 1 |
| 10 | 68200-15140 | *TAILPIPE | 1 |
| 11 | 70029-15140 | *GASKET PIPE | 1 |
| 12 | 11206-04120 | *SCREW PMSPW | 3 |
| 13 | 72935-15211 | GASKET | 1 |
| 14 | 01020-06700 | BOLT | 2 |
| 15 | 01610-06080 | WASHER | 2 |
| 16 | 11024-05120 | BOLT SLPW | 1 |

CRANKCASE

ILLUSTRATION 2 - REV 11/02

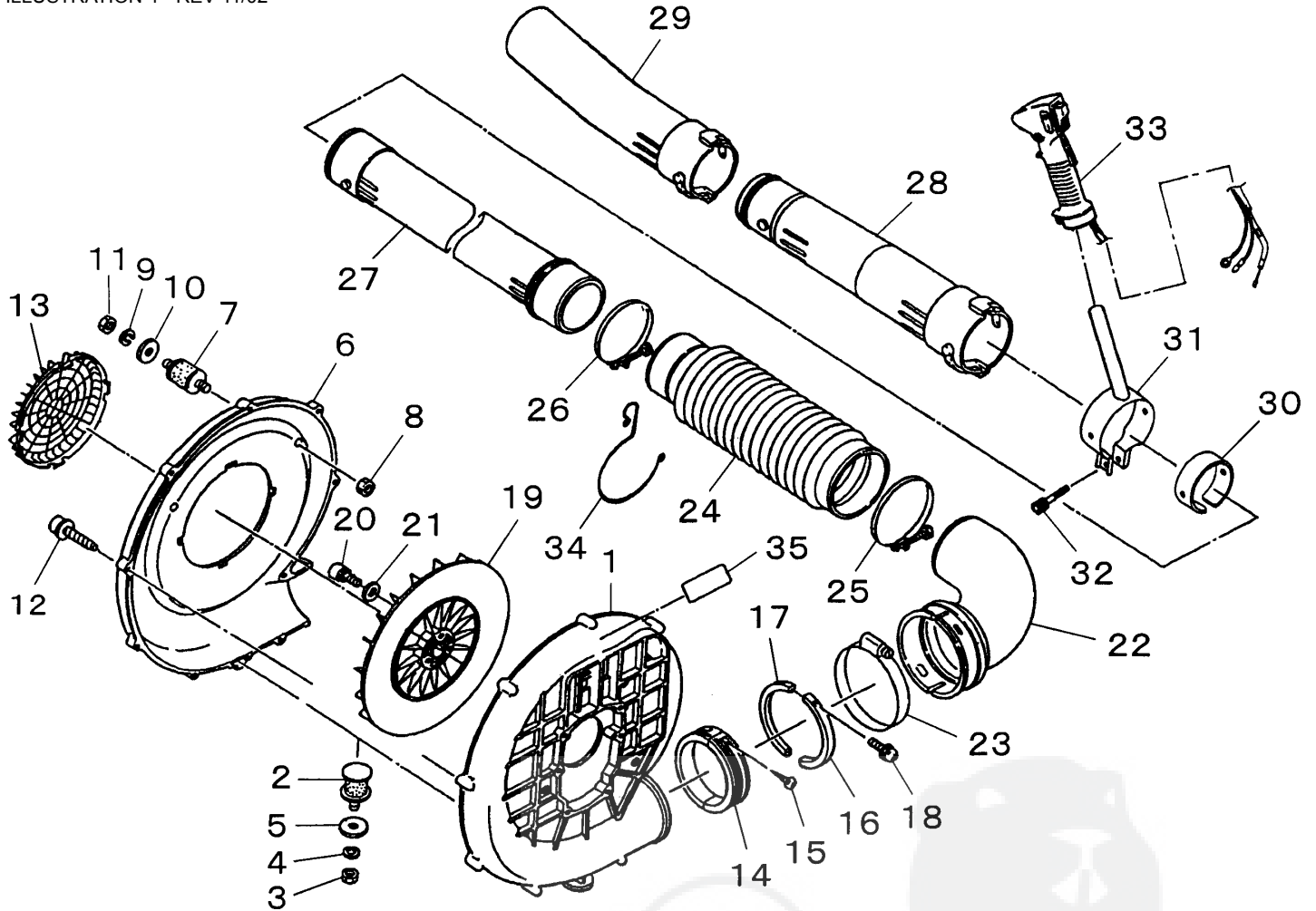


| Ref. No | Part No. | Part Name | Q'ty |
|---------|-------------|------------------|------|
| 2-1 | 72935-21101 | CRANKCASE S COMP | 1 |
| 2 | 02030-06202 | *BEARING | 1 |
| 3 | 20010-21211 | *OIL SEAL | 1 |
| 4 | 72935-21200 | CASE M COMP | 1 |
| 5 | 02030-06202 | *BEARING | 1 |
| 6 | 20010-21211 | *OIL SEAL | 1 |
| 7 | 12492-50100 | *ROLLER | 2 |
| 8 | 11060-05300 | BOLT ADHESIVE | 4 |
| 9 | 72935-21220 | SEAL | 1 |
| 10 | 11060-06300 | BOLT ADHESIVE | 4 |
| 11 | 11060-06450 | BOLT ADHESIVE | 2 |
| 12 | 72935-21230 | CUSHION | 1 |
| 13 | 72935-31112 | ENGINE COVER | 1 |
| 14 | 20028-32130 | GASKET COVER | 1 |
| 15 | 11060-05162 | BOLT ADHESIVE | 4 |
| 16 | 19402-00148 | LABEL CAUTION | 1 |

* Denotes item is part of an assembly ** Denotes item is part of a sub-assembly

VOLUTE / THROTTLE LEVER

ILLUSTRATION 4 - REV 11/02

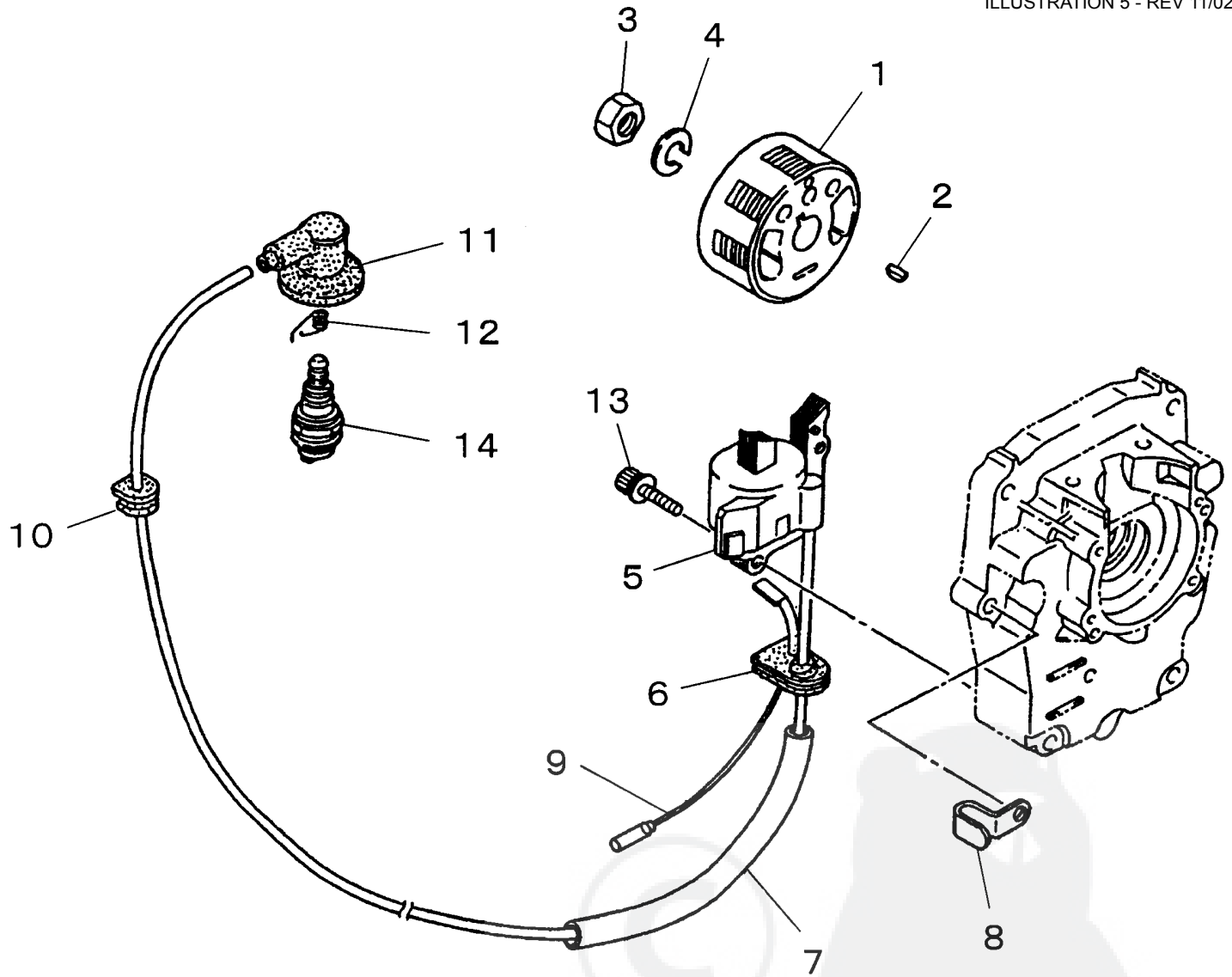


| Ref. No | Part No. | Part Name | Q'ty |
|---------|-------------|---------------|------|
| 4-1 | 72935-61112 | VOLUTE CASE | 1 |
| 1 | 72935-61111 | VOLUTE CASE | 1 |
| 2 | 72935-61120 | CUSHION | 1 |
| 3 | 01500-06051 | NUT | 1 |
| 4 | 01600-06151 | SPRING WASHER | 1 |
| 5 | 15401-10016 | COLLAR | 1 |
| 6 | 72935-61212 | VOLUTE COVER | 1 |
| 6 | 72935-61211 | VOLUTE COVER | 1 |
| 7 | 72935-61220 | CUSHION | 2 |
| 8 | 01500-05041 | NUT | 2 |
| 9 | 01600-05131 | SPRING WASHER | 2 |
| 10 | 22104-31620 | WASHER | 2 |
| 11 | 01500-05041 | NUT | 2 |
| 12 | 72935-61230 | BOLT TAPPING | 9 |
| 13 | 72935-61310 | INTAKE COVER | 1 |
| 14 | 72935-61410 | SLEEVE | 1 |
| 15 | 11270-03202 | SCREW TAPPING | 1 |
| 16 | 72935-61420 | RING | 1 |
| 17 | 72935-61430 | RING | 1 |

| Ref. No | Part No. | Part Name | Q'ty |
|---------|-------------|----------------|------|
| 18 | 11203-03250 | SCREW PM | 2 |
| 19 | 68200-62112 | FAN | 1 |
| 20 | 11060-06251 | BOLT ADHESIVE | 3 |
| 21 | 01612-00600 | WASHER | 3 |
| 22 | 72935-63110 | BEND PIPE | 1 |
| 23 | 72935-63120 | CLAMP | 1 |
| 24 | 72935-63210 | FLEXIBLE PIPE | 1 |
| 25 | 72935-63221 | CLAMP | 1 |
| 26 | 72935-63231 | CLAMP | 1 |
| 27 | 72935-63311 | JOINT PIPE | 1 |
| 28 | 72935-63340 | PIPE | 1 |
| 29 | 72935-63331 | NOZZLE | 1 |
| 30 | 68205-84320 | CUSHION | 1 |
| 31 | 68208-84380 | HANDLE | 1 |
| 32 | 01020-06300 | BOLT | 1 |
| 33 | 68205-84011 | THROTTLE LEVER | 1 |
| 34 | 68208-84410 | CLAMP | 1 |
| 35 | 68205-91011 | LABEL NAME | 1 |

ROTOR / COIL ASSEMBLY

ILLUSTRATION 5 - REV 11/02

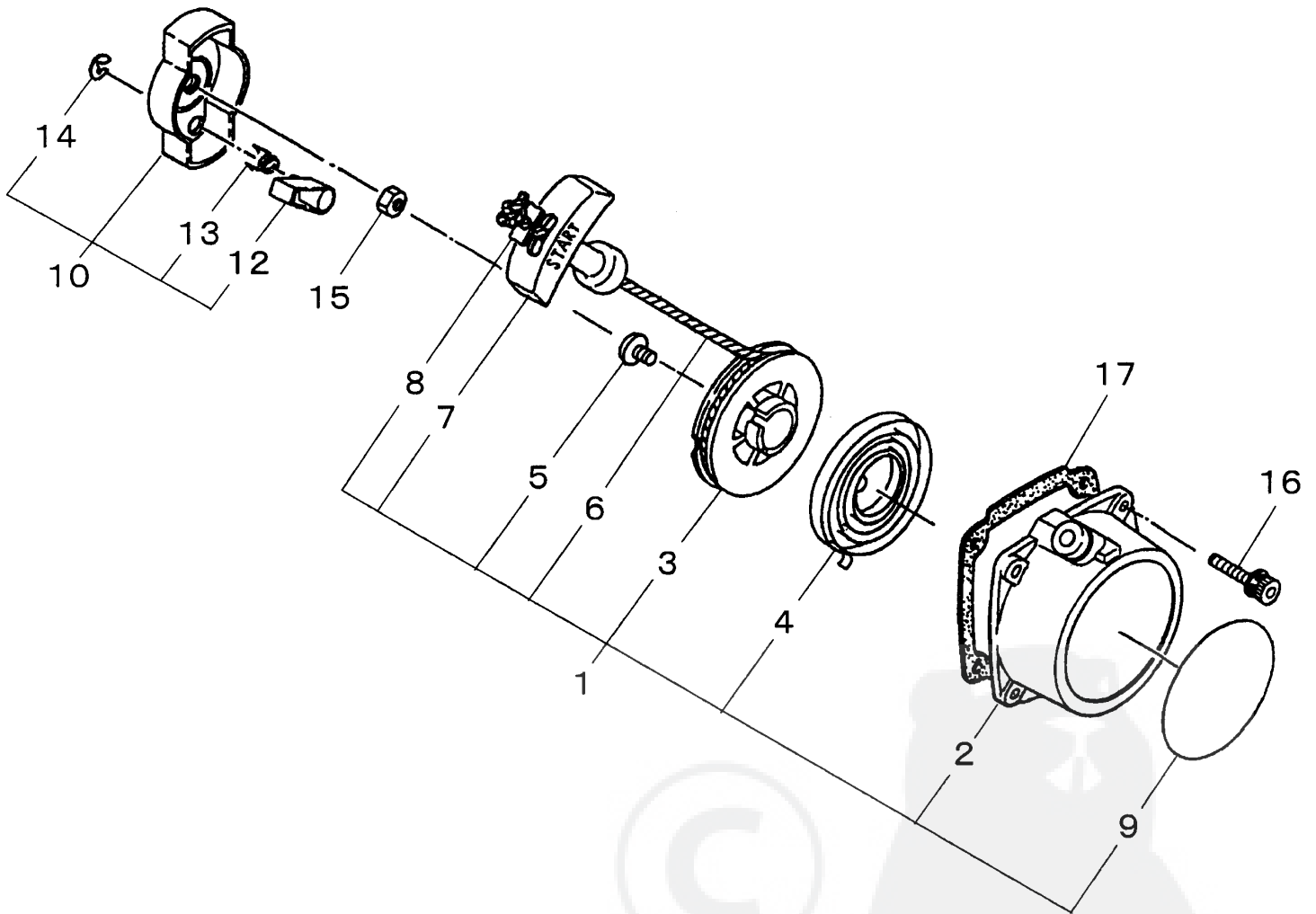


| Ref. No | Part No. | Part Name | Q'ty |
|---------|-------------|------------------|------|
| 5-1 | 72935-71200 | ROTOR | 1 |
| 2 | 02403-03100 | KEY | 1 |
| 3 | 01511-10061 | NUT | 1 |
| 4 | 01600-10251 | SPRING WASHER | 1 |
| 5 | 68232-71210 | COIL | 1 |
| 6 | 70029-72110 | GROMMET | 1 |
| 7 | 20016-71660 | TUBE | 1 |
| 8 | 72935-72140 | CORD CLIP | 1 |
| 9 | 14352-01600 | LEAD WIRE | 1 |
| 10 | 20011-72110 | GROMMET | 1 |
| 11 | 20024-72220 | PLUG CAP | 1 |
| 12 | 20000-72230 | SPRING SPARKPLUG | 1 |
| 13 | 11060-05201 | SCREW ADHESIVE | 2 |
| 14 | 13000-13406 | SPARKPLUG BMR6A | 1 |

* Denotes item is part of an assembly ** Denotes item is part of a sub-assembly

RECOIL STARTER

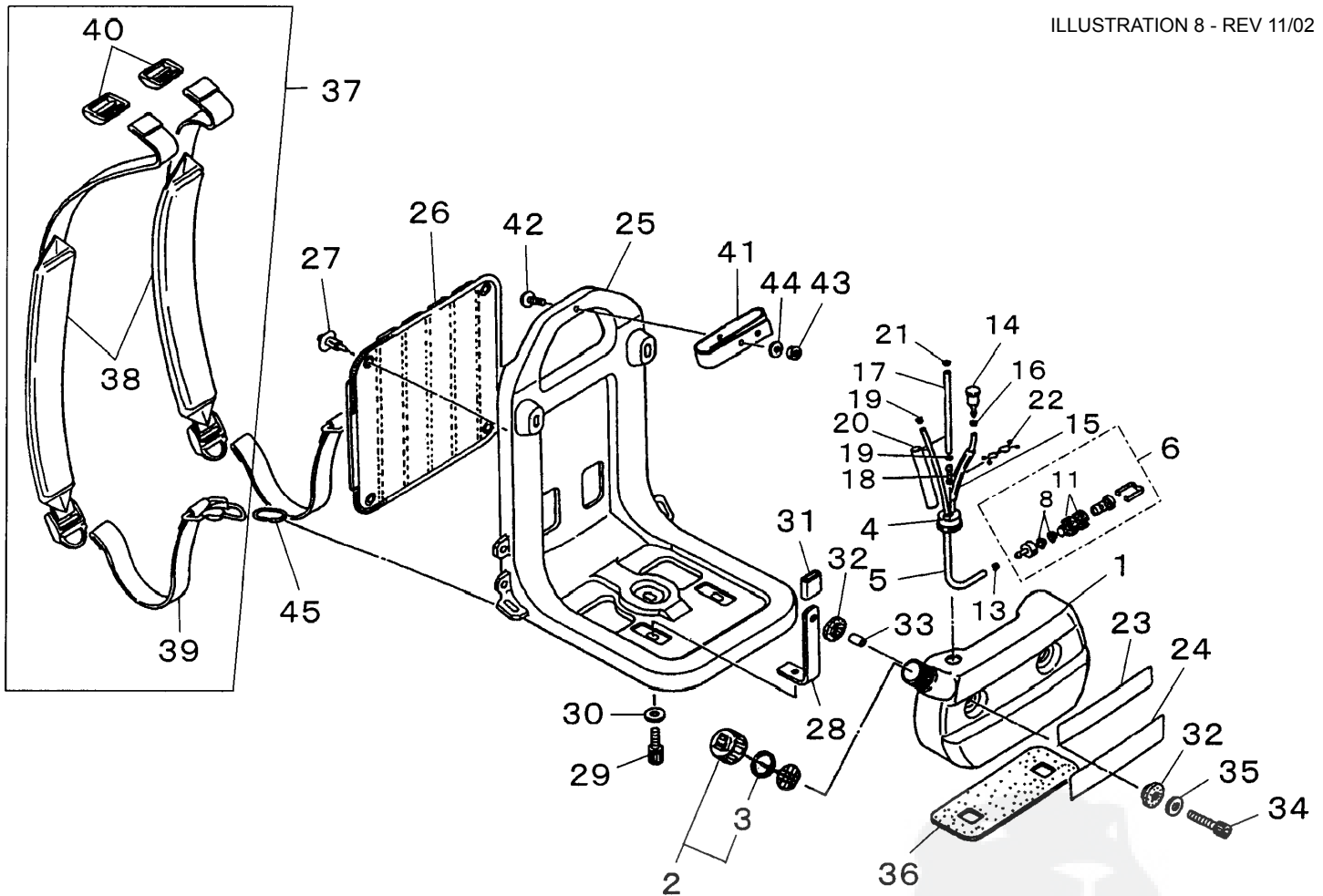
ILLUSTRATION 6 - REV 11/02



| Ref. No | Part No. | Part Name | Q'ty |
|---------|-------------|-----------------------------|------|
| 6-1 | 72935-75101 | RECOIL STARTER SUB ASSEMBLY | 1 |
| 2 | 72935-75111 | *STARTER CASE | 1 |
| 3 | 70131-75120 | *REEL | 1 |
| 4 | 20024-75130 | *RECOIL SPRING | 1 |
| 5 | 72935-75170 | *SCREW TAPPING | 1 |
| 6 | 20020-75180 | *ROPE | 1 |
| 7 | 20010-75190 | *STARTER KNOB | 1 |
| 8 | 20010-75210 | *STOPPER | 1 |
| 9 | 19420-00027 | *LABEL TRADE | 1 |
| 10 | 72935-75200 | STARTER PULLEY ASSEMBLY | 1 |
| 12 | 20024-75220 | *RATCHET | 1 |
| 13 | 72935-75230 | *RETURN SPRING | 1 |
| 14 | 20024-75240 | *E-RING | 1 |
| 15 | 72935-75310 | NUT | 1 |
| 16 | 11060-04160 | BOLT ADHESIVE | 4 |
| 17 | 20020-76110 | GASKET STARTER | 1 |

FUEL TANK

ILLUSTRATION 8 - REV 11/02



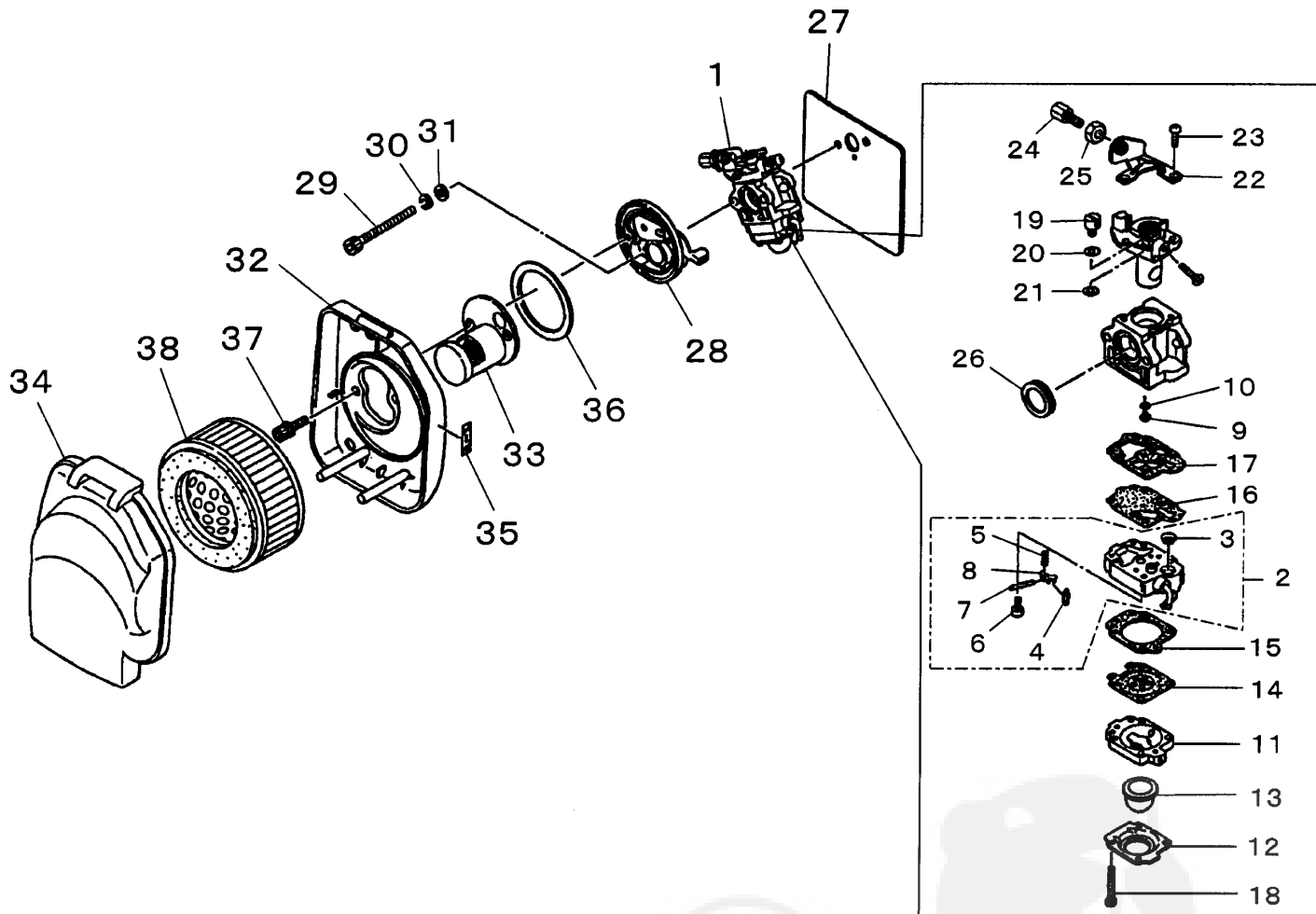
| Ref. No | Part No. | Part Name | Q'ty |
|---------|-------------|--------------------------|------|
| 8-1 | 72935-85111 | FUEL TANK | 1 |
| 2 | 68204-85020 | FUEL CAP ASSEMBLY | 1 |
| 3 | 20000-85221 | *GASKET | 1 |
| 4 | 72933-85350 | GROMMET | 1 |
| 5 | 68206-85340 | PIPE | 1 |
| 6 | 22115-85401 | FUEL FILTER SUB ASSEMBLY | 1 |
| 8 | 22118-85460 | *SCREEN | 2 |
| 11 | 22128-85421 | *FILTER | 2 |
| 13 | 20020-85540 | CLIP | 1 |
| 14 | 20035-85522 | VALVE | 1 |
| 15 | 72935-85530 | PIPE | 1 |
| 16 | 20020-85540 | CLIP | 1 |
| 17 | 72935-85512 | PIPE | 1 |
| 18 | 72933-85620 | JOINT | 1 |
| 19 | 20020-85540 | CLIP | 2 |
| 20 | 72935-85540 | PIPE | 1 |
| 21 | 20021-85540 | CLIP | 1 |
| 22 | 72935-85550 | CLIP | 1 |
| 23 | 68200-91032 | LABEL TRADE | 1 |
| 24 | 19420-00056 | LABEL TRADE | 1 |
| 25 | 72935-86111 | FRAME | 1 |

| Ref. No | Part No. | Part Name | Q'ty |
|---------|-------------|---------------|------|
| 26 | 72935-86120 | PAD | 1 |
| 27 | 72935-86130 | CLIP | 4 |
| 28 | 72935-86411 | BRACKET | 2 |
| 29 | 11020-06200 | BOLT SW | 2 |
| 30 | 15401-10016 | COLLAR | 2 |
| 31 | 72935-86440 | CUSHION | 2 |
| 32 | 72935-86421 | CUSHION | 4 |
| 33 | 17901-06150 | COLLAR | 2 |
| 34 | 11020-06250 | BOLT SW | 2 |
| 35 | 15401-20004 | COLLAR | 2 |
| 36 | 72935-86431 | CUSHION | 1 |
| 37 | 72935-87100 | BAND ASSEMBLY | 2 |
| 38 | 72935-87111 | *BAND | 2 |
| 39 | 72935-87120 | *BAND | 2 |
| 40 | 72451-17230 | *BUCKLE | 2 |
| 41 | 72935-87210 | BAND | 1 |
| 42 | 01215-06300 | SCREW | 1 |
| 43 | 22011-97840 | LOCKNUT | 1 |
| 44 | 15401-10016 | COLLAR | 1 |
| 45 | 72935-87310 | RING | 2 |

* Denotes item is part of an assembly ** Denotes item is part of a sub-assembly

CARBURETOR / CLEANER

ILLUSTRATION 7 - REV 11/02

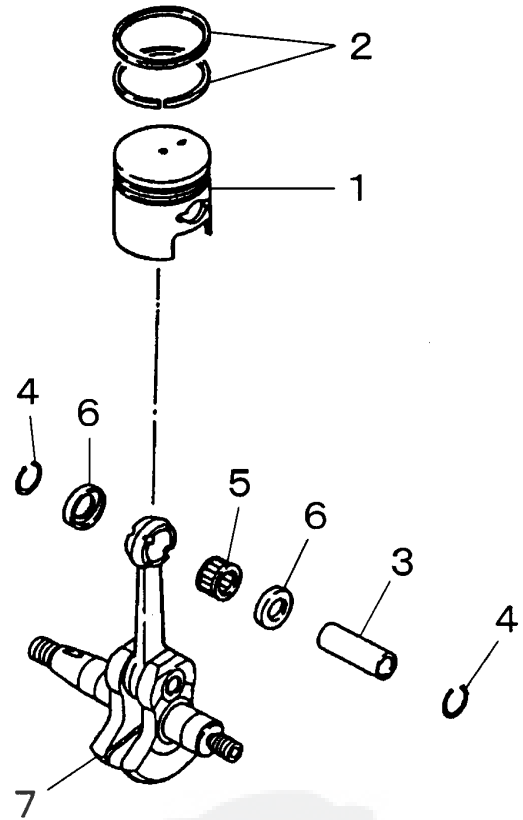


| Ref. No | Part No. | Part Name | Q'ty |
|---------|-------------|---------------------|------|
| 7-1 | 68205-81010 | CARBURETOR ASSEMBLY | 1 |
| 2 | 72933-81411 | *PUMP BODY ASSEMBLY | 1 |
| 3 | 70030-81380 | **SCREEN | 1 |
| 4 | 20036-81440 | **NEEDLE VALVE | 1 |
| 5 | 72933-81270 | **SPRING | 1 |
| 6 | 20016-81450 | **SCREW | 1 |
| 7 | 22100-81250 | **PIN | 1 |
| 8 | 22100-81230 | **LEVER | 1 |
| 9 | 72935-81250 | *MAIN JET | 1 |
| 10 | 70097-81220 | *O-RING | 1 |
| 11 | 20016-81420 | *PUMP BASE COMP | 1 |
| 12 | 20016-81510 | *PUMP COVER | 1 |
| 13 | 20036-81670 | *PRIMER PUMP | 1 |
| 14 | 22100-81260 | *DIAPHRAGM ASSEMBLY | 1 |
| 15 | 20016-81280 | *GASKET | 1 |
| 16 | 70097-81320 | *DIAPHRAGM | 1 |
| 17 | 70097-81310 | *GASKET PUMP | 1 |
| 18 | 20016-81140 | *SCREW | 4 |
| 19 | 72933-81450 | *SWIVEL | 1 |

| Ref. No | Part No. | Part Name | Q'ty |
|---------|-------------|------------------|------|
| 20 | 20089-81185 | *WASHER | 1 |
| 21 | 20036-81195 | *E-RING | 1 |
| 22 | 20089-81130 | *BRACKET | 1 |
| 23 | 70097-81290 | *SCREW | 2 |
| 24 | 20089-81110 | *CABLE ADJUSTER | 1 |
| 25 | 20036-81120 | NUT | 1 |
| 26 | 72933-81250 | RING GASKET | 1 |
| 27 | 72935-81711 | GASKET CABURETOR | 2 |
| 28 | 72935-81501 | CHOKE COMP | 1 |
| 29 | 01020-05600 | BOLT | 2 |
| 30 | 01600-05131 | SPRING WASHER | 2 |
| 31 | 01610-05080 | WASHER | 2 |
| 32 | 72935-82111 | CLEANER BODY | 1 |
| 33 | 72935-82130 | PIPE | 1 |
| 34 | 72935-82120 | CLEANER COVER | 1 |
| 35 | 19404-00008 | LABEL CHOKE | 1 |
| 36 | 72935-82210 | GASKET | 1 |
| 37 | 11024-04140 | BOLT SPW | 2 |
| 38 | 72935-82310 | FILTER | 1 |

PISTON / CRANKSHAFT

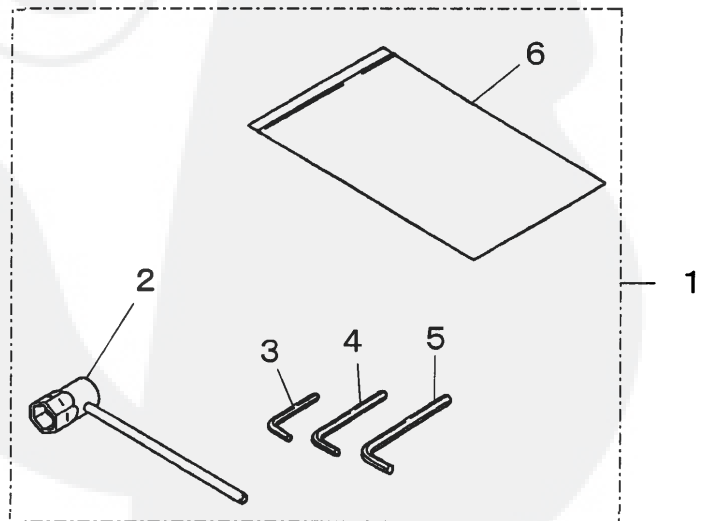
ILLUSTRATION 3 - REV 11/02



| Ref. No | Part No. | Part Name | Q'ty |
|---------|-------------|---------------------|------|
| 3-1 | 72935-41110 | PISTON | 1 |
| 2 | 72935-41210 | PISTON RING | 2 |
| 3 | 20021-41310 | PISTON PIN | 1 |
| 4 | 22150-41230 | SNAP RING | 2 |
| 5 | 20021-41330 | BEARING SE | 1 |
| 6 | 20021-41341 | THRUST WASHER | 2 |
| 7 | 72935-42000 | CRANKSHAFT ASSEMBLY | 1 |

TOOL SET

ILLUSTRATION 9 - REV 11/02



| Ref. No | Part No. | Part Name | Q'ty |
|---------|-------------|---------------|------|
| 9-1 | 72935-91000 | TOOLSET | 1 |
| 2 | 22900-91180 | *PLUG WRENCH | 1 |
| 3 | 09026-03001 | *HEX A WRENCH | 1 |
| 4 | 09026-04001 | *HEX A WRENCH | 1 |
| 5 | 09026-05001 | *HEX A WRENCH | 1 |
| 6 | 19639-01100 | *POLYBAG | 1 |

* Denotes item is part of an assembly ** Denotes item is part of a sub-assembly



shindaiwa

www.shindaiwa.com

11975 SW Herman Road, Tualatin, Oregon 97062, U.S.A.

1 + 503.692.3070 • fax 1 + 503.692.6696 •

Item #xxxx Effective 11/02