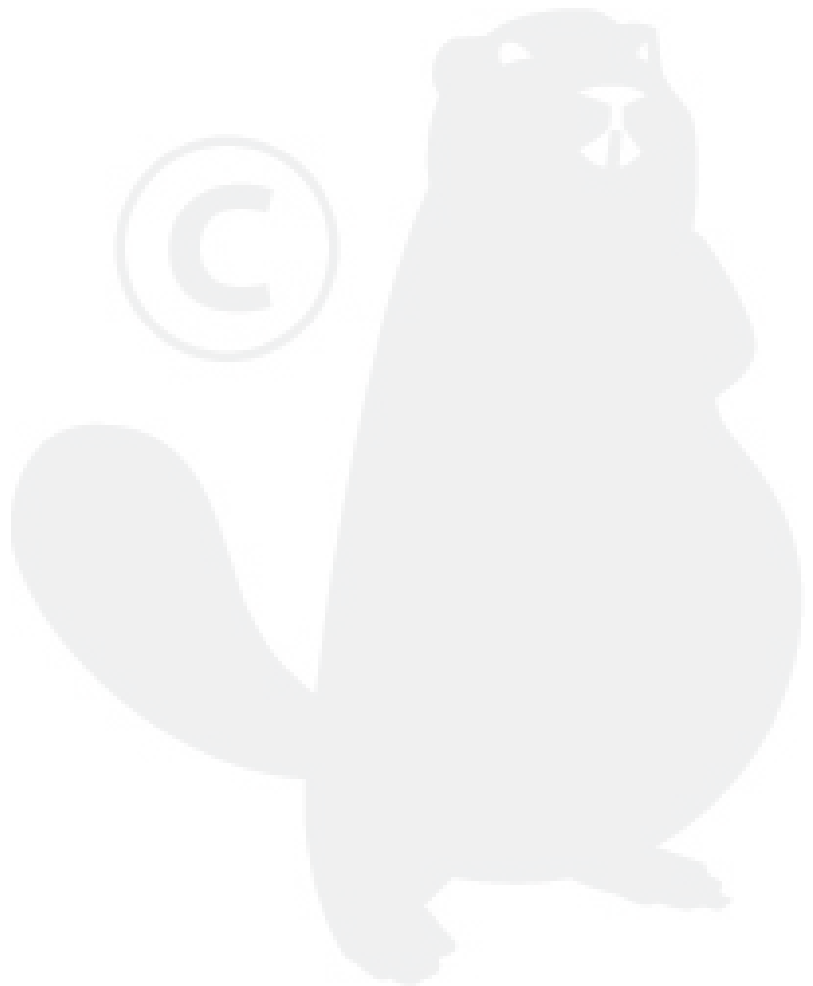
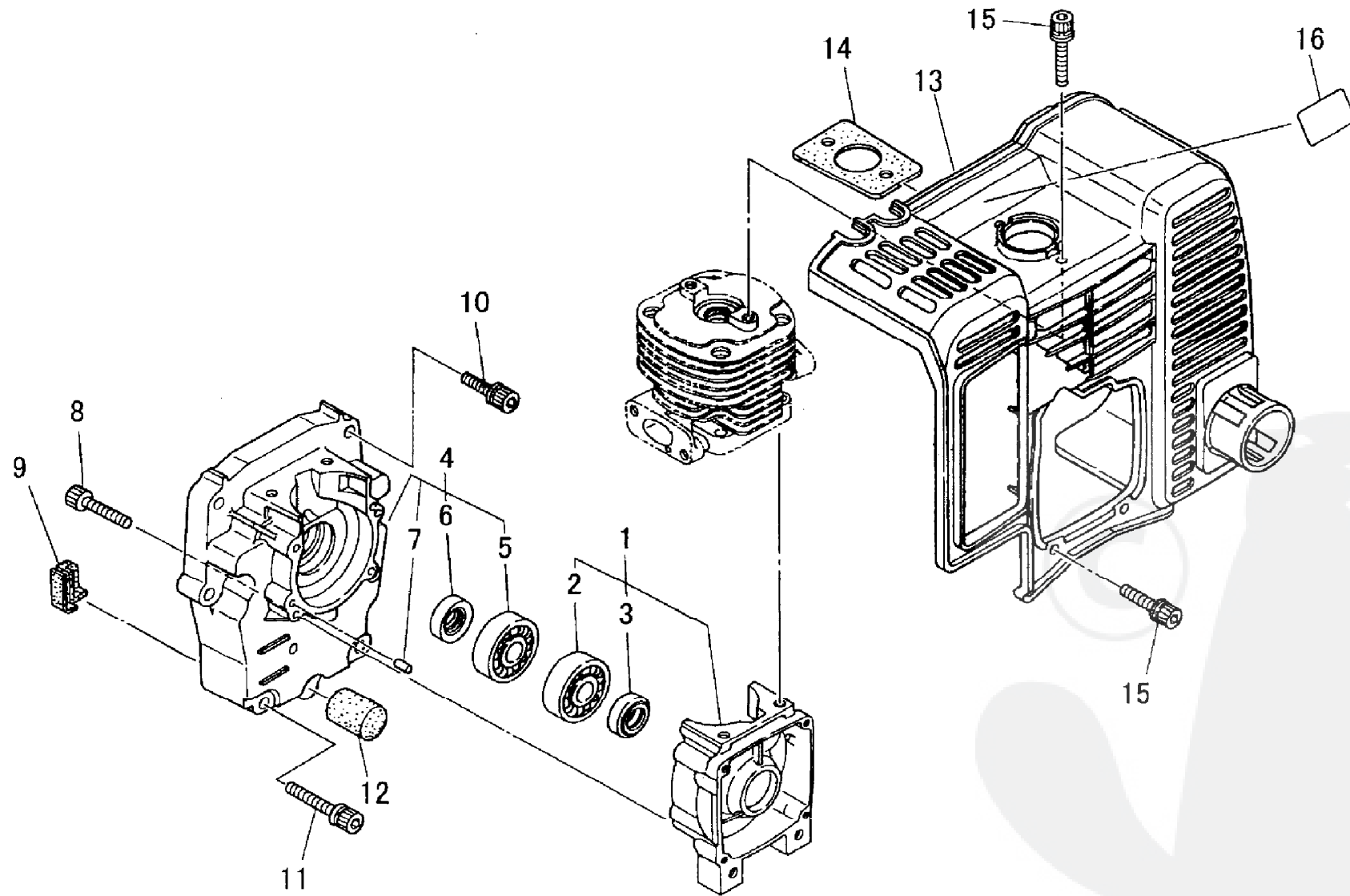


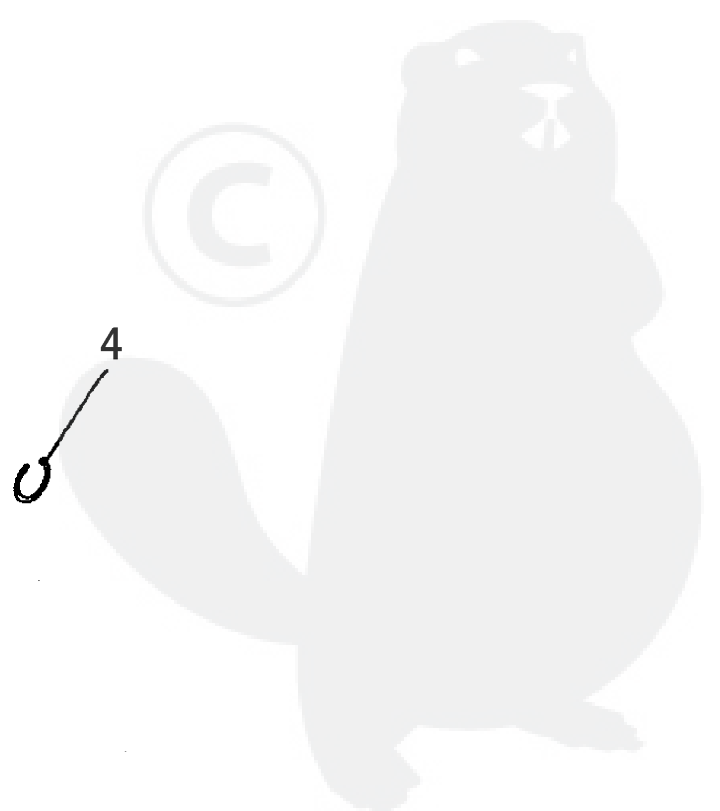
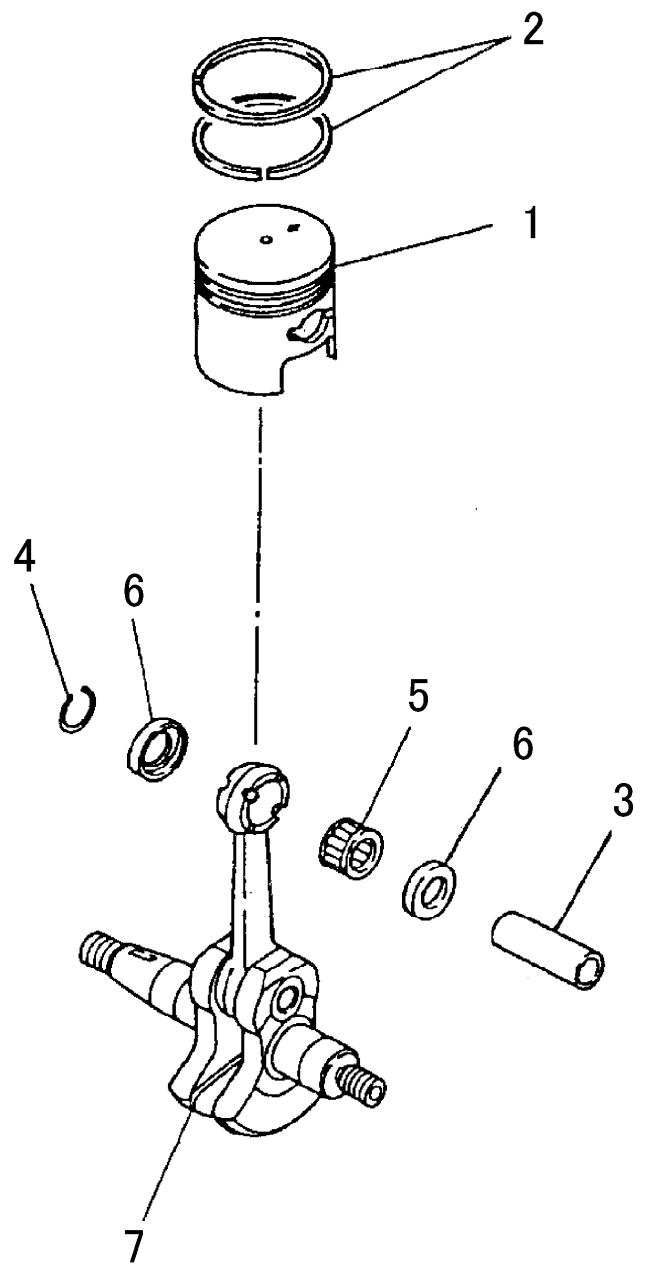
| Ref. No | Part No. | Part Name | Q`ty |
|---------|-------------|--------------|------|
| 1- 1 | 72935-12111 | CYLINDER | 1 |
| 2 | 72935-12120 | GASKET | 1 |
| 3 | 11060-05253 | BOLTADHESIVE | 4 |
| 4 | 68200-12210 | INSULATOR | 1 |
| 5 | 20011-12260 | NUT | 2 |
| 6 | 72935-12221 | GASKET | 1 |
| 7 | 11060-05250 | BOLTADHESIVE | 2 |
| 8 | 68200-15010 | MUFFLERASSY | 1 |
| 9 | 70029-15120 | *ARESTER | 1 |
| 10 | 68200-15140 | *TAILPIPE | 1 |
| 11 | 70029-15140 | *GASKETPIPE | 1 |
| 12 | 11206-04120 | *SCREWPMSPW | 3 |
| 13 | 72935-15211 | GASKET | 1 |
| 14 | 01020-06700 | BOLT | 2 |
| 15 | 01610-06080 | WASHER | 2 |
| 16 | 11024-05120 | BOLTSLPW | 1 |



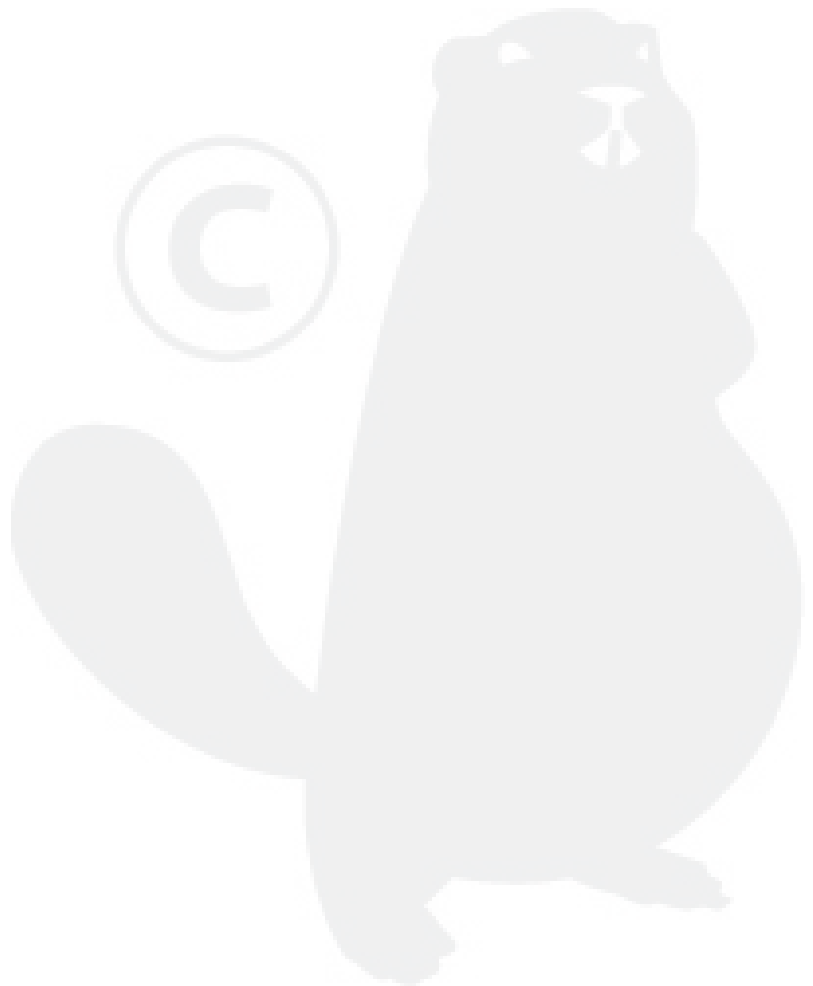


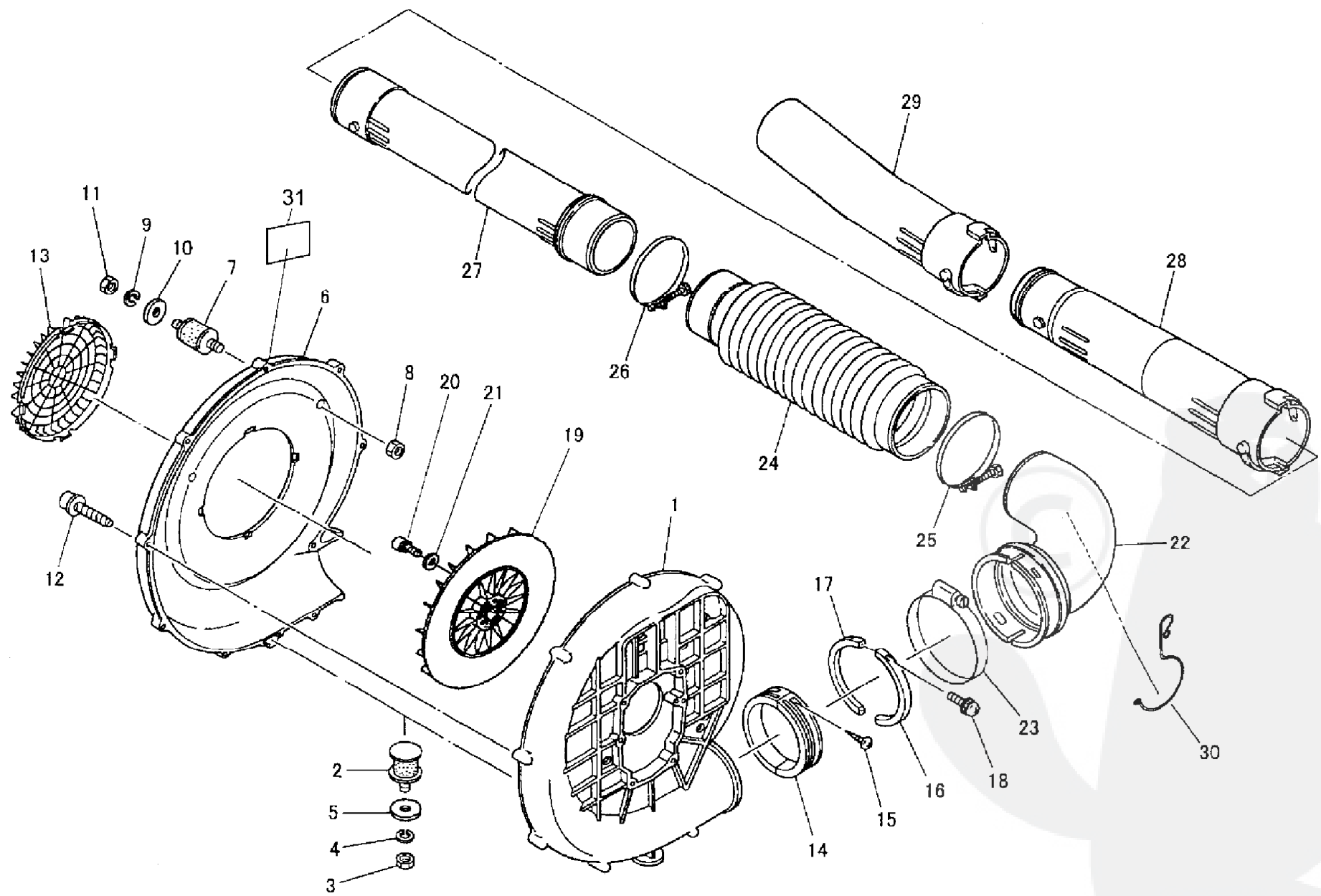
| | | | |
|------|-------------|----------------|---|
| 2- 1 | 72935-21101 | CRANKCASESCOMP | 1 |
| 2 | 12900-62020 | *BEARING | 1 |
| 3 | 20010-21211 | *OILSEAL | 1 |
| 4 | 72935-21200 | CASEMCOMP | 1 |
| 5 | 12900-62020 | *BEARING | 1 |
| 6 | 20010-21211 | *OILSEAL | 1 |
| 7 | 12492-50100 | *DOWELPIN | 2 |
| 8 | 11060-05300 | BOLTADHESIVE | 4 |
| 9 | 72935-21220 | SEAL | 1 |
| 10 | 11060-06300 | BOLTADHESIVE | 4 |
| 11 | 11060-06450 | BOLTADHESIVE | 2 |
| 12 | 72935-21230 | CUSHION | 1 |
| 13 | 72935-31112 | ENGINECOVER | 1 |
| 14 | 20028-32131 | GASKETCOVER | 1 |
| 15 | 11060-05162 | BOLTADHESIVE | 4 |
| 16 | 19402-00148 | LABELCAUTION | 1 |



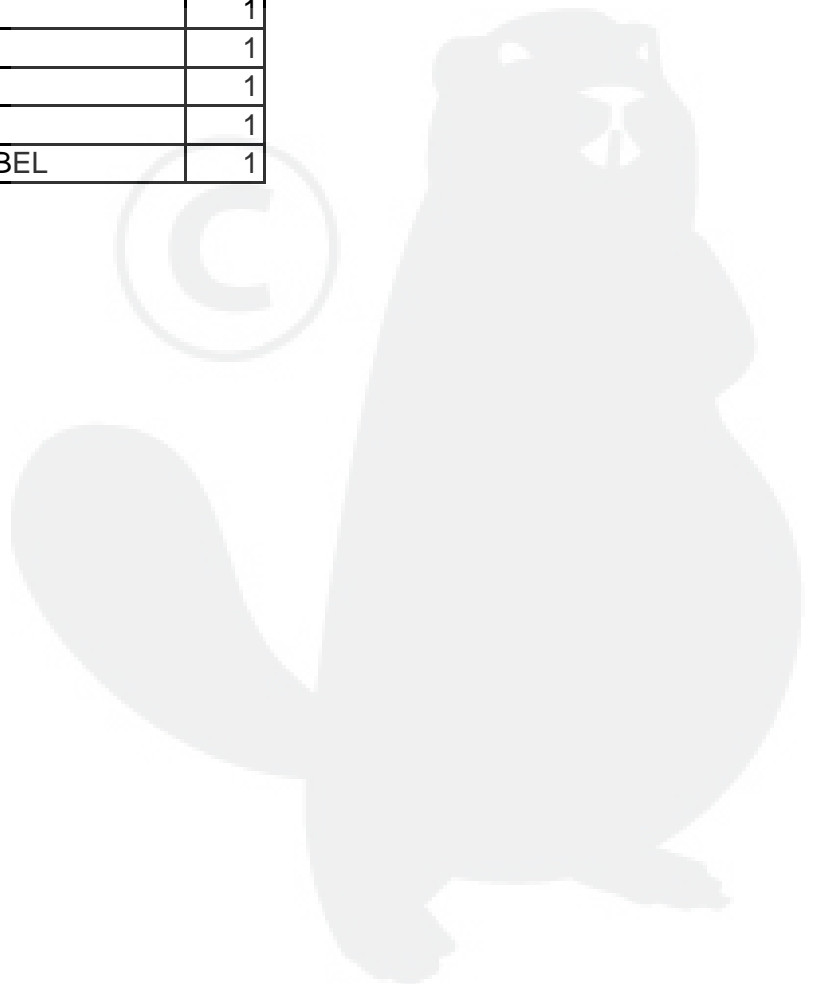
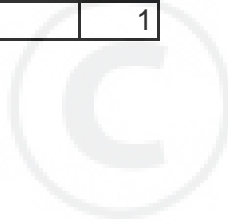


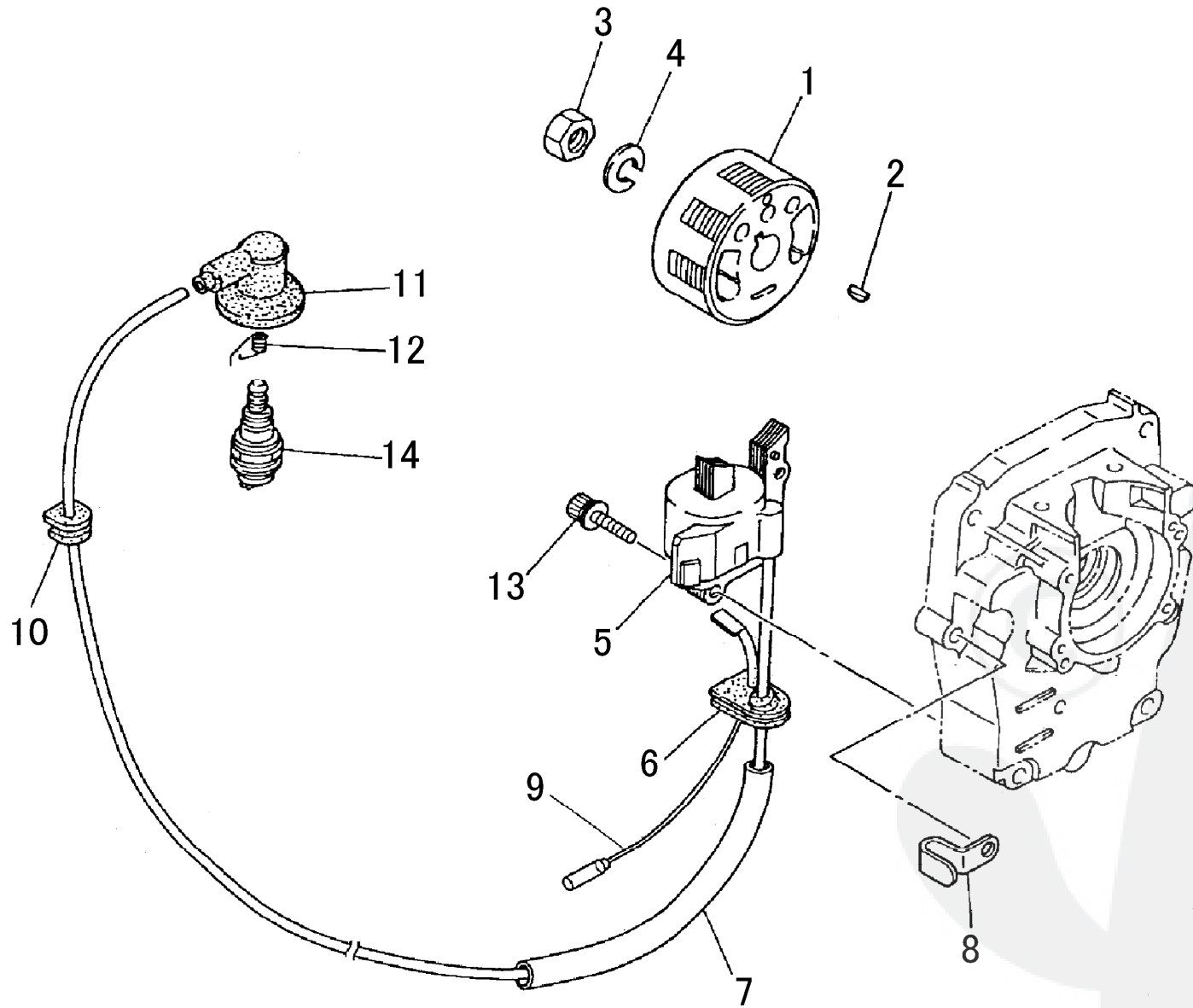
| | | | |
|------|-------------|----------------|---|
| 3- 1 | 72935-41110 | PISTON | 1 |
| 2 | 72935-41210 | PISTONRING | 2 |
| 3 | 20021-41310 | PISTONPIN | 1 |
| 4 | 22150-41230 | SNAPRING | 2 |
| 5 | 20021-41330 | BEARINGSE | 1 |
| 6 | 20021-41341 | THRUSTWASHER | 2 |
| 7 | 72935-42000 | CRANKSHAFTASSY | 1 |





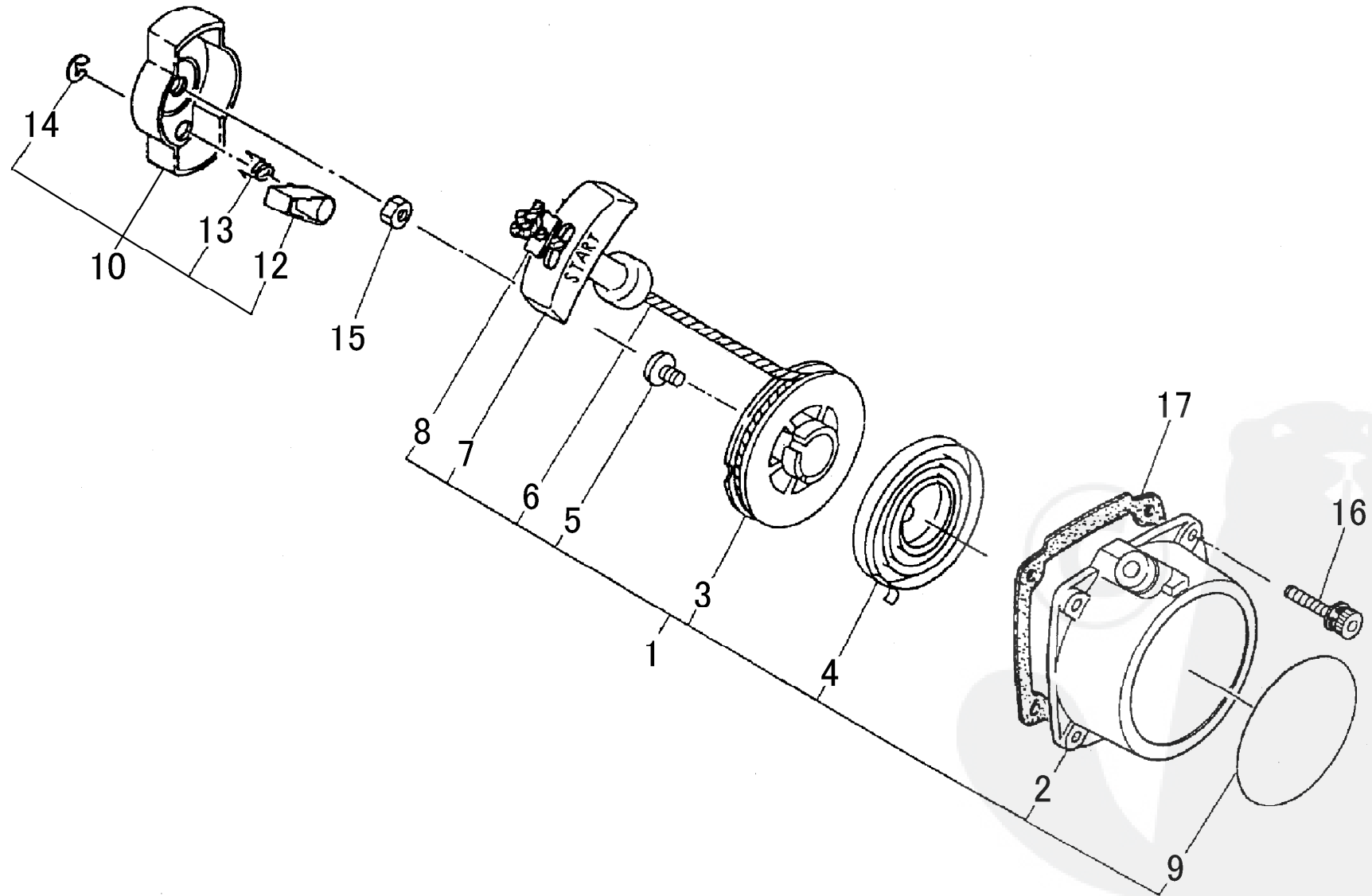
| | | | |
|------|-------------|--------------|---|
| 4- 1 | 72935-61112 | VOLUTECASE | 1 |
| 2 | 72935-61120 | CUSHION | 1 |
| 3 | 01500-06051 | NUT | 1 |
| 4 | 01600-06151 | SPRINGWASHER | 1 |
| 5 | 15401-10016 | COLLAR | 1 |
| 6 | 72935-61212 | VOLUTECOVER | 1 |
| 7 | 72935-61220 | CUSHION | 2 |
| 8 | 01500-05041 | NUT | 2 |
| 9 | 01600-05131 | SPRINGWASHER | 2 |
| 10 | 22104-31620 | WASHER | 2 |
| 11 | 01500-05041 | NUT | 2 |
| 12 | 72935-61230 | BOLTTAPPING | 9 |
| 13 | 72935-61310 | INTAKECOVER | 1 |
| 14 | 72935-61410 | SLEEVE | 1 |
| 15 | 11270-03202 | SCREWTAPPING | 1 |
| 16 | 72935-61420 | RING | 1 |
| 17 | 72935-61430 | RING | 1 |
| 18 | 11203-03250 | SCREWPM | 2 |
| 19 | 68200-62112 | FAN | 1 |
| 20 | 11060-06251 | BOLTADHESIVE | 3 |
| 21 | 01612-00600 | WASHER | 3 |
| 22 | 72935-63110 | BENDPIPE | 1 |
| 23 | 72935-63120 | CLAMP | 1 |
| 24 | 72935-63210 | FLEXIBLEPIPE | 1 |
| 25 | 72935-63221 | CLAMP | 1 |
| 26 | 72935-63231 | CLAMP | 1 |
| 27 | 72935-63311 | JOINTPIPE | 1 |
| 28 | 72935-63340 | PIPE | 1 |
| 29 | 72935-63331 | NOZZLE | 1 |
| 30 | 68208-84410 | CLAMP | 1 |
| 31 | 19404-00033 | LABELDECIBEL | 1 |



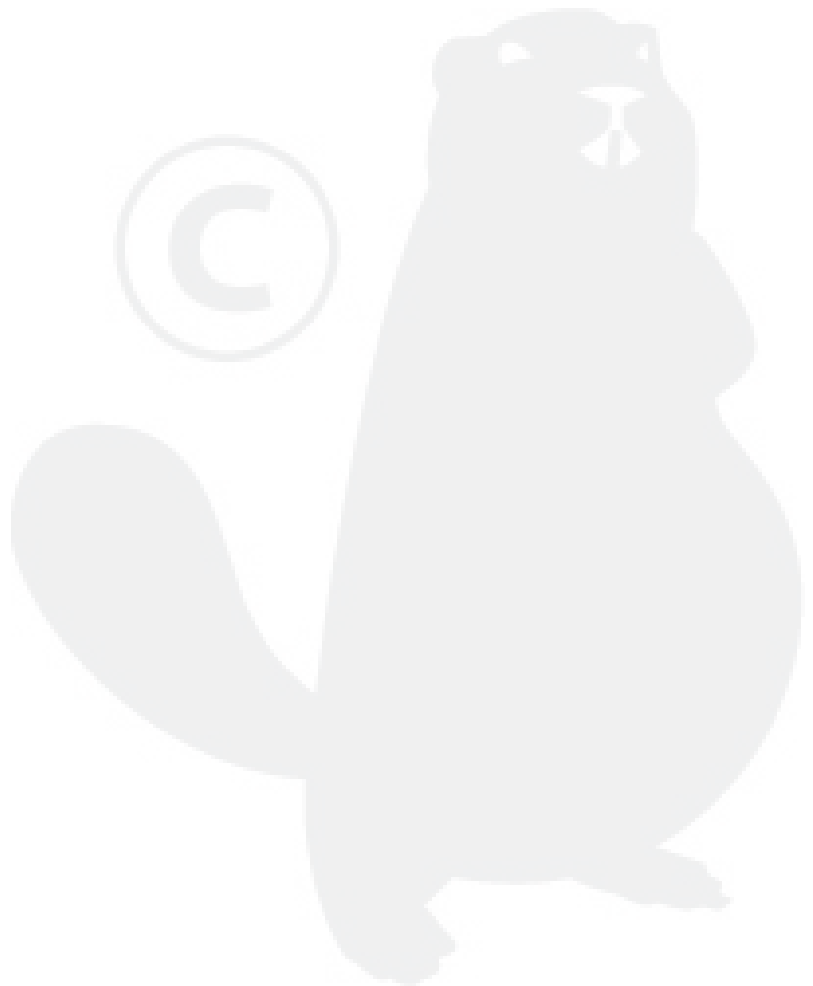


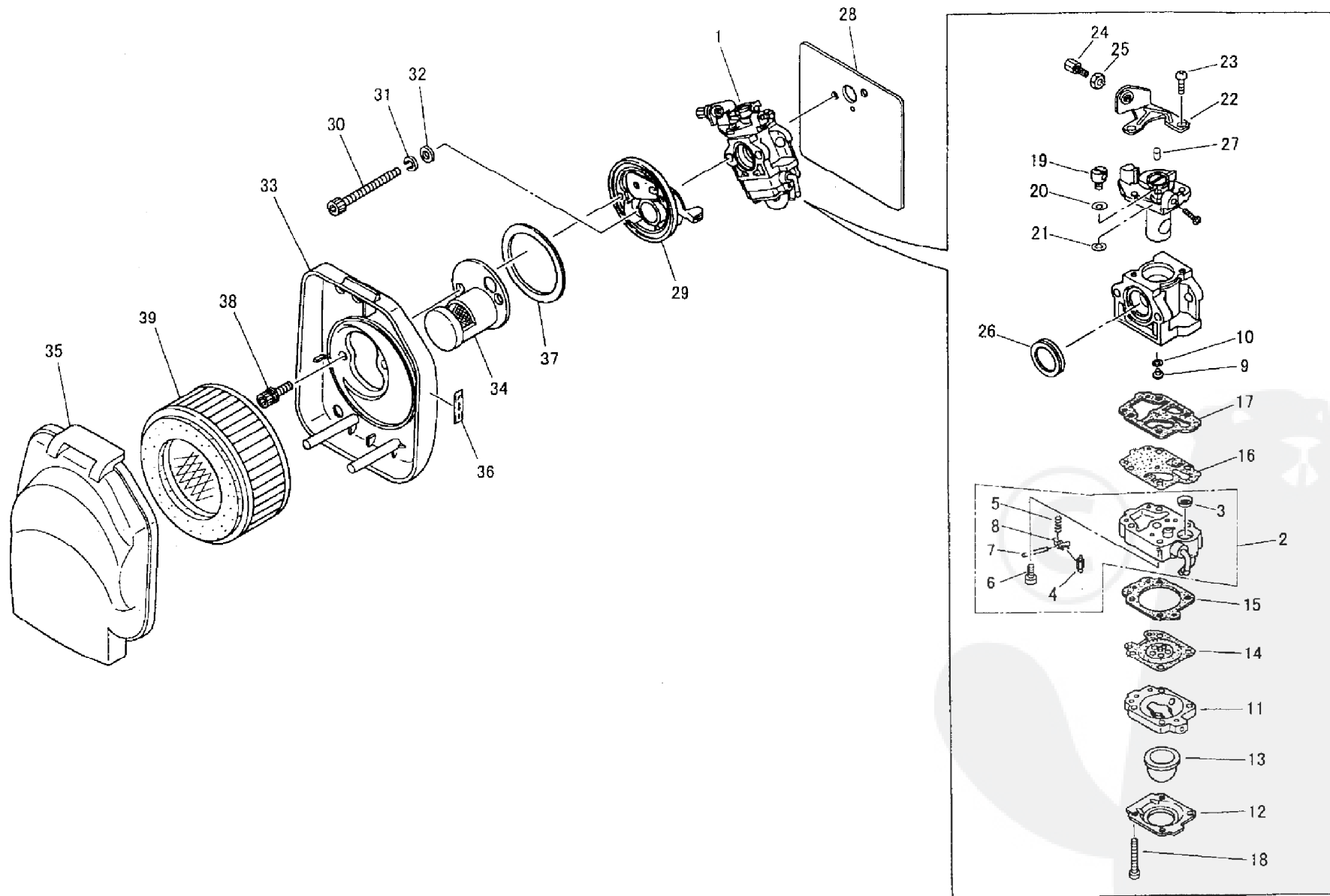
| | | | |
|------|-------------|-----------------|---|
| 5- 1 | 72935-71200 | ROTOR | 1 |
| 2 | 02403-03100 | KEY | 1 |
| 3 | 01511-10061 | NUT | 1 |
| 4 | 01600-10251 | SPRINGWASHER | 1 |
| 5 | 68232-71210 | COIL | 1 |
| 6 | 70029-72110 | GROMMET | 1 |
| 7 | 20016-71660 | TUBE | 1 |
| 8 | 72935-72140 | CORDCLIP | 1 |
| 9 | 14352-01600 | LEADWIRE | 1 |
| 10 | 20011-72110 | GROMMET | 1 |
| 11 | 20024-72220 | PLUGCAP | 1 |
| 12 | 20000-72230 | SPRINGSPARKPLUG | 1 |
| 13 | 11060-05201 | SCREWADHESIVE | 2 |
| 14 | 13000-13406 | SPARKPLUGBMR6A | 1 |



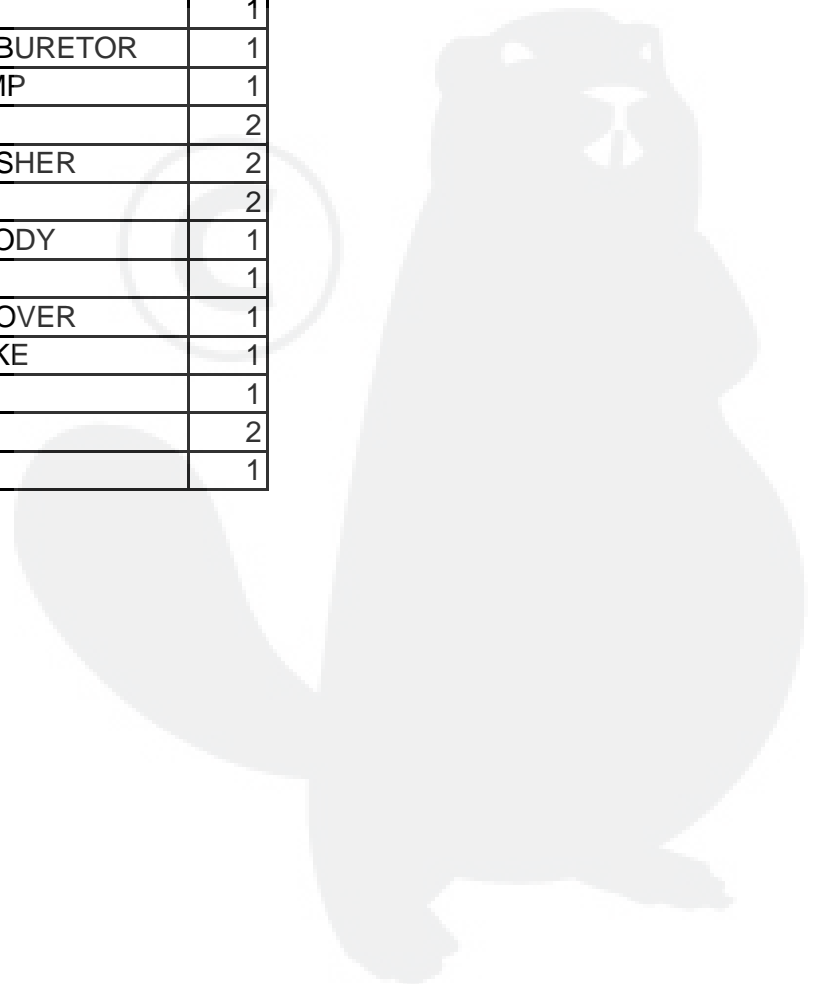


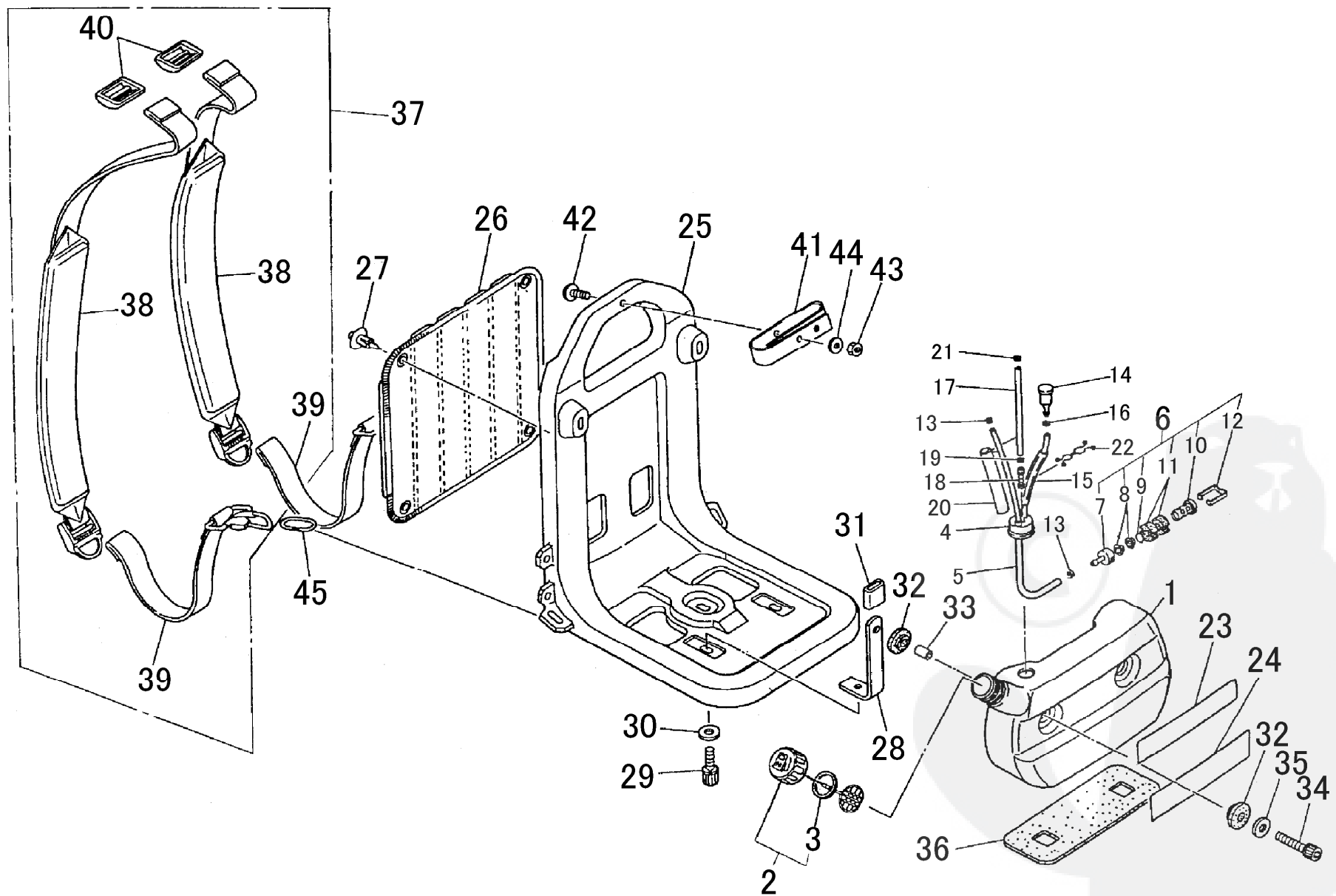
| | | | |
|-----|-------------|---------------------|---|
| 6-1 | 72935-75101 | RECOILSTARTERSUBASS | 1 |
| 2 | 72935-75111 | *STARTERCASE | 1 |
| 3 | 70131-75120 | *REEL | 1 |
| 4 | 20024-75130 | *RECOILSPRING | 1 |
| 5 | 72935-75170 | *SCREWTAPPING | 1 |
| 6 | 20020-75180 | *ROPE | 1 |
| 7 | 20010-75190 | *STARTERKNOB | 1 |
| 8 | 20010-75210 | *STOPPER | 1 |
| 9 | 19420-00027 | *LABELTRADE | 1 |
| 10 | 72935-75200 | STARTERPULLYASSY | 1 |
| 12 | 20024-75220 | *RATCHET | 1 |
| 13 | 72935-75230 | *RETURNSPRING | 1 |
| 14 | 20024-75240 | *ERING | 1 |
| 15 | 72935-75310 | NUT | 1 |
| 16 | 11060-04160 | BOLTADHESIVE | 4 |
| 17 | 20020-76111 | GASKETSTARTER | 1 |



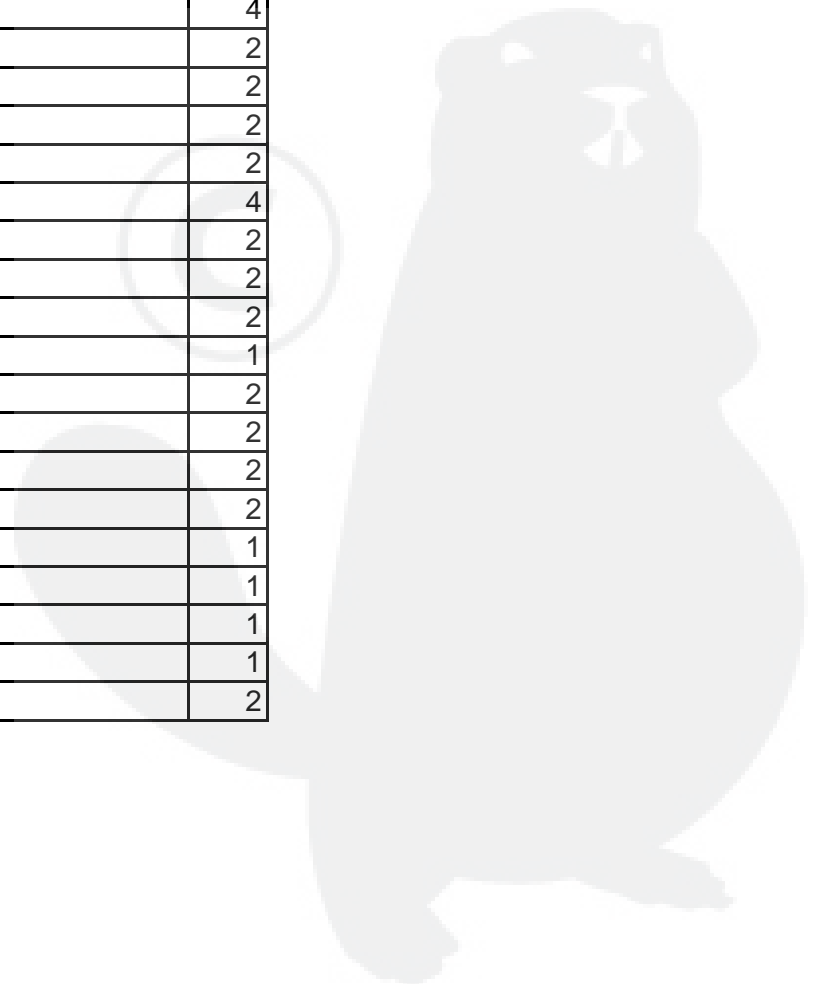


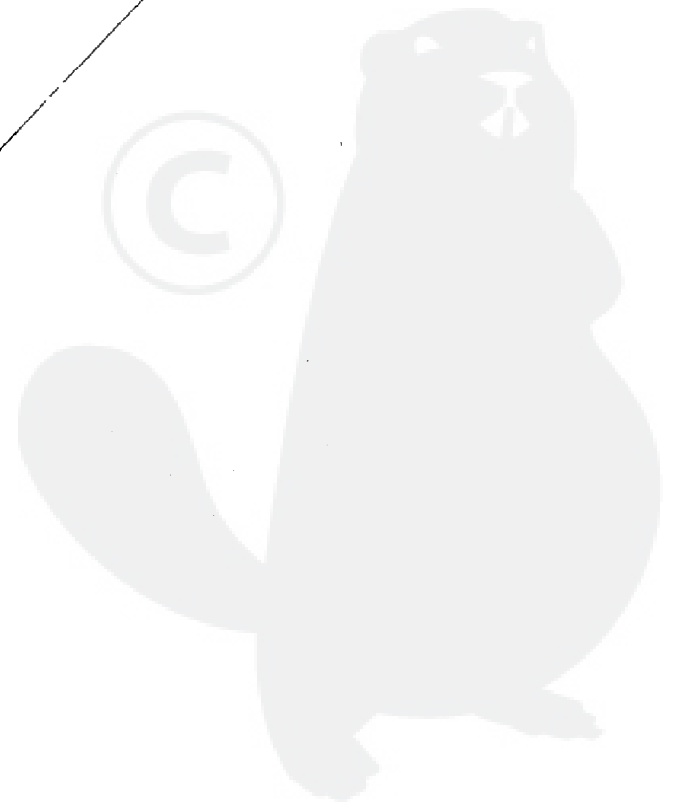
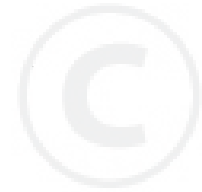
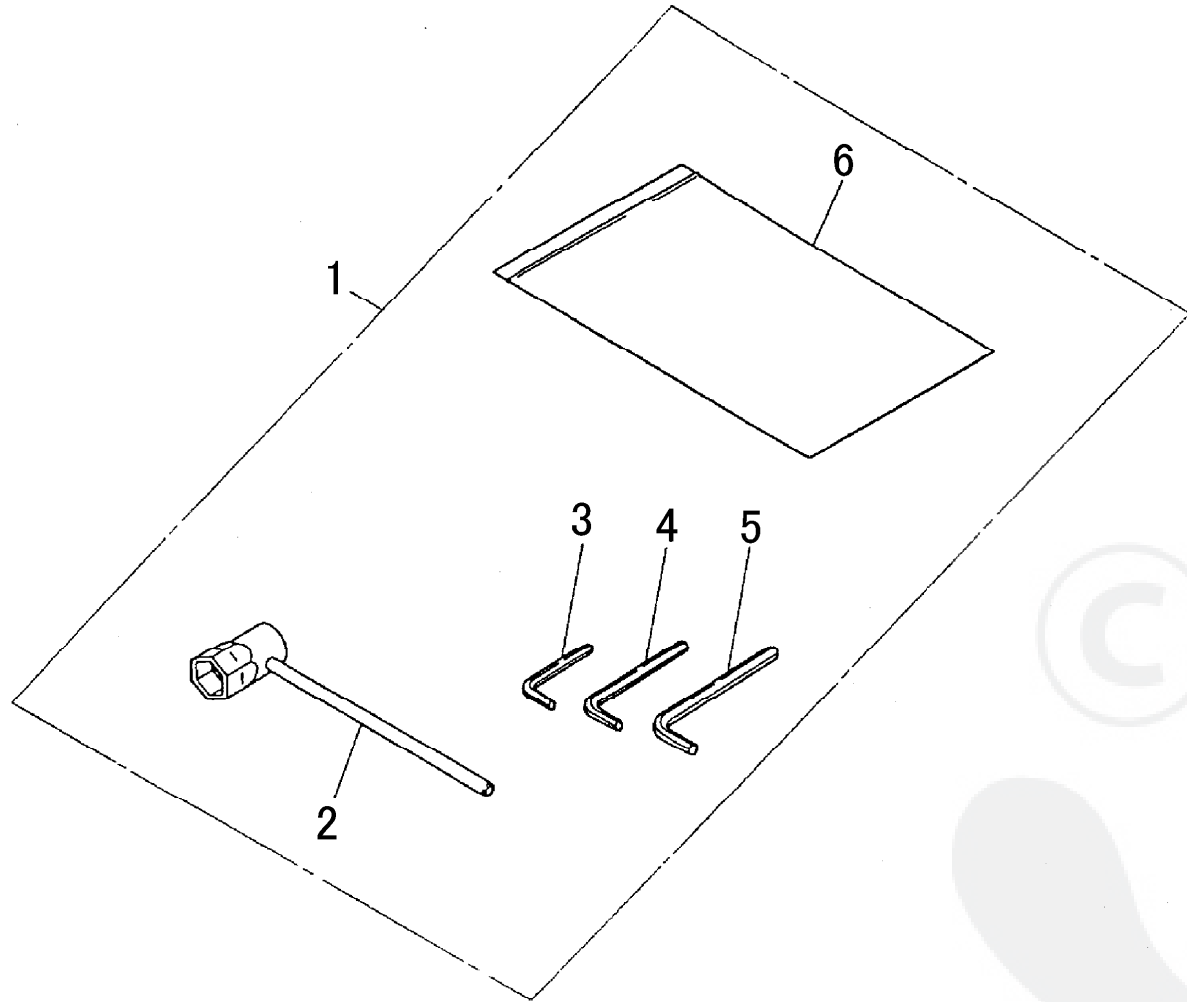
| | | | |
|------|-------------|-----------------|---|
| 7- 1 | 68237-81010 | CARBURETORASSY | 1 |
| 2 | 72933-81410 | *PUMPBODYASSY | 1 |
| 3 | 70030-81380 | **SCREEN | 1 |
| 4 | 20036-81440 | **NEEDLEVALVE | 1 |
| 5 | 72933-81270 | **SPRING | 1 |
| 6 | 20016-81450 | **SCREW | 1 |
| 7 | 22100-81250 | **PIN | 1 |
| 8 | 22100-81230 | **LEVER | 1 |
| 9 | 68232-81321 | *MAINJET | 1 |
| 10 | 70097-81220 | *ORING | 1 |
| 11 | 20016-81420 | *PUMPBASECOMP | 1 |
| 12 | 20016-81510 | *PUMPCOVER | 1 |
| 13 | 20036-81670 | *PRIMERPUMP | 1 |
| 14 | 22100-81260 | *DIAPHRAGMASSY | 1 |
| 15 | 20016-81280 | *GASKET | 1 |
| 16 | 70097-81320 | *DIAPHRAGM | 1 |
| 17 | 70097-81310 | *GASKETPUMP | 1 |
| 18 | 20016-81140 | *SCREW | 4 |
| 19 | 72933-81450 | *SWIVEL | 1 |
| 20 | 20089-81185 | *WASHER | 1 |
| 21 | 20036-81195 | *ERING | 1 |
| 22 | 20089-81130 | *BRACKET | 1 |
| 23 | 70097-81290 | *SCREW | 1 |
| 24 | 20089-81110 | *CABLEADJUSTER | 1 |
| 25 | 20036-81120 | *NUT | 2 |
| 26 | 72933-81250 | *RINGGASKET | 1 |
| 27 | 62074-81320 | *PLAG | 1 |
| 28 | 72935-81711 | GASKETCABURETOR | 1 |
| 29 | 72935-81501 | CHOKECOMP | 1 |
| 30 | 01020-05600 | BOLT | 2 |
| 31 | 01600-05131 | SPRINGWASHER | 2 |
| 32 | 01610-05080 | WASHER | 2 |
| 33 | 72935-82111 | CLEANERBODY | 1 |
| 34 | 72935-82130 | PIPE | 1 |
| 35 | 72935-82120 | CLEANERCOVER | 1 |
| 36 | 19404-00008 | LABELCHOKE | 1 |
| 37 | 72935-82210 | GASKET | 1 |
| 38 | 11024-04140 | BOLTSPW | 2 |
| 39 | 72935-82310 | FILTER | 1 |



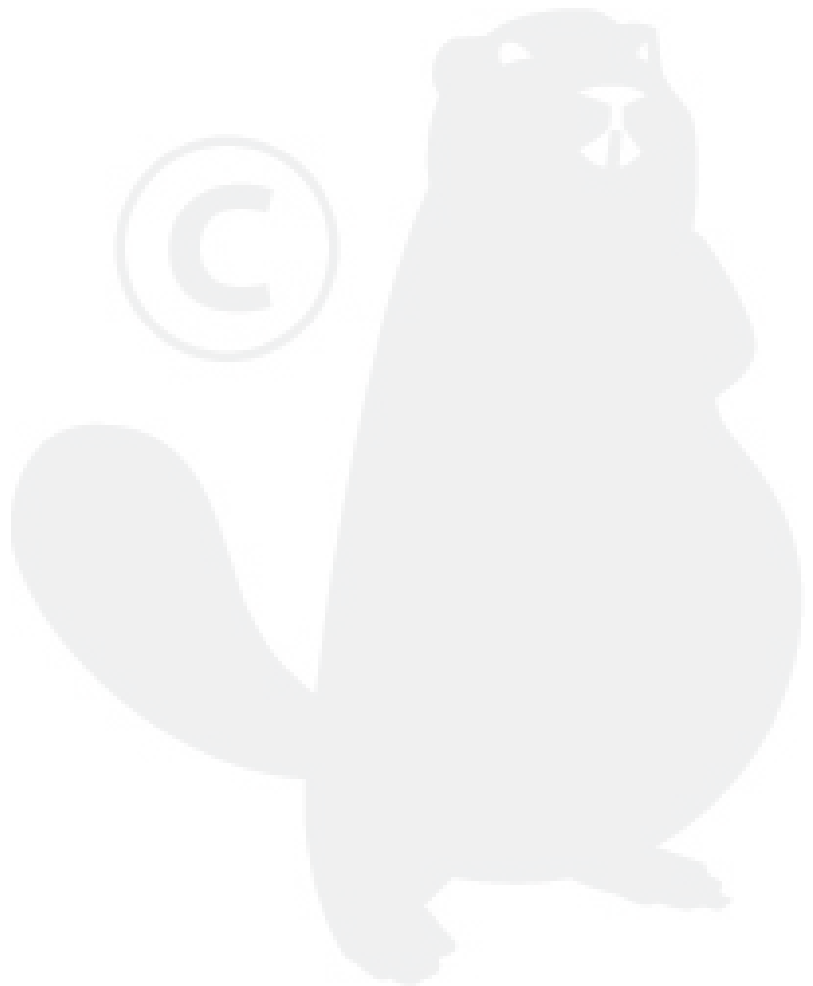


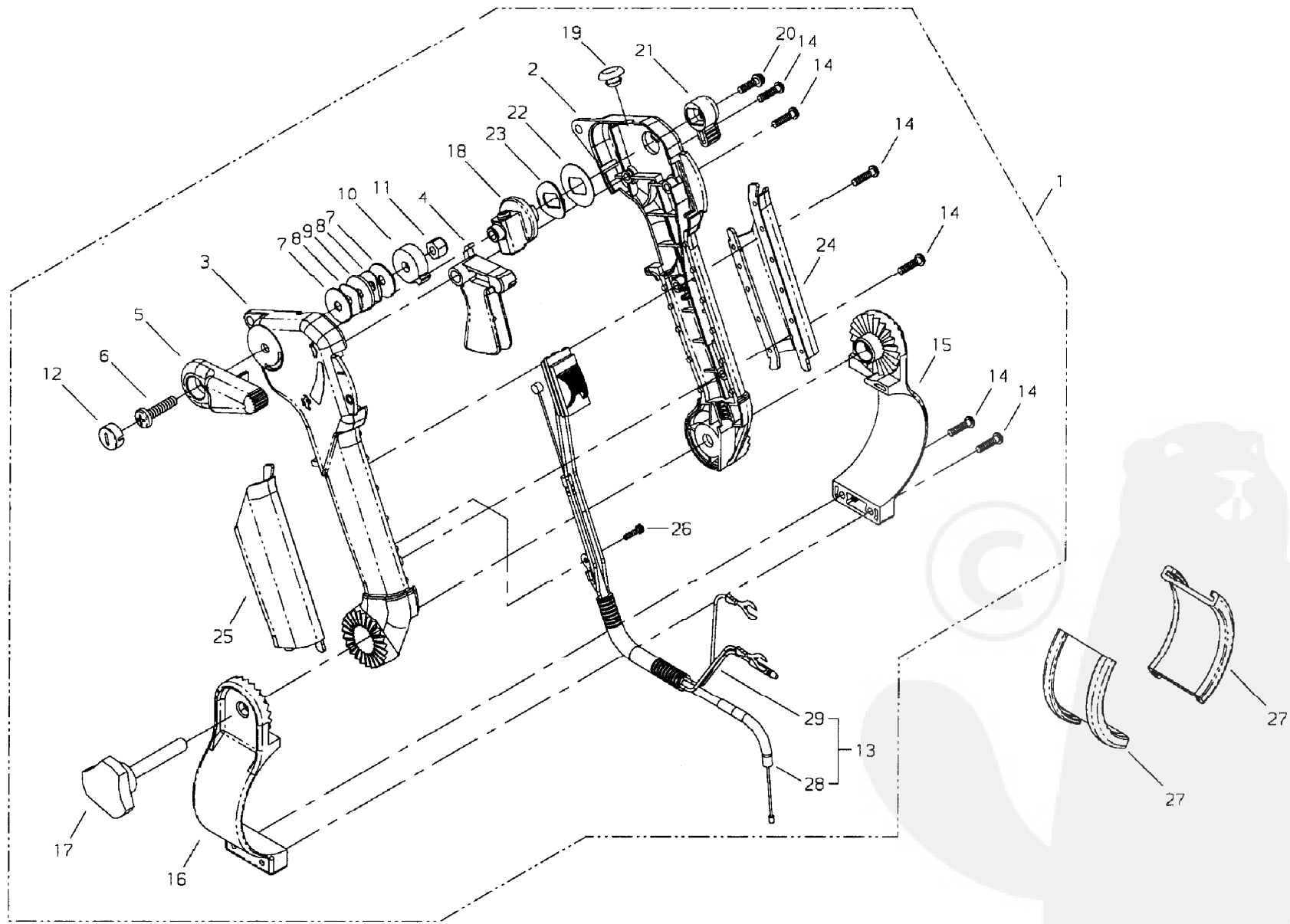
| | | | |
|------|-------------|-------------------|---|
| 8- 1 | 72935-85111 | FUELTANK | 1 |
| 2 | 68204-85020 | FUELCAPASSY | 1 |
| 3 | 20000-85221 | *GASKET | 1 |
| 4 | 72933-85350 | GROMMET | 1 |
| 5 | 68206-85340 | PIPE | 1 |
| 6 | 22115-85401 | FUELFILTERSUBASSY | 1 |
| 7 | 22128-85410 | *FUELLINEWEIGHT | 1 |
| 8 | 22118-85460 | *SCREEN | 2 |
| 9 | 22128-85480 | *RING | 1 |
| 10 | 22128-85470 | *SLEEVE | 1 |
| 11 | 22128-85421 | *FILTER | 2 |
| 12 | 22128-85440 | *CLIPFILTER | 1 |
| 13 | 20020-85540 | CLIP | 2 |
| 14 | 20035-85522 | VALVE | 1 |
| 15 | 72935-85530 | PIPE | 1 |
| 16 | 20020-85540 | CLIP | 1 |
| 17 | 72935-85512 | PIPE | 1 |
| 18 | 72933-85620 | JOINT | 1 |
| 19 | 20020-85540 | CLIP | 1 |
| 20 | 72935-85540 | PIPE | 1 |
| 21 | 20021-85540 | CLIP | 1 |
| 22 | 72935-85550 | CLIP | 1 |
| 23 | 68200-91032 | LABELTRADE | 1 |
| 24 | 19420-00055 | LABELTRADE | 1 |
| 25 | 72935-86111 | FRAME | 1 |
| 26 | 72935-86120 | PAD | 1 |
| 27 | 72935-86130 | CLIP | 4 |
| 28 | 72935-86411 | BRACKET | 2 |
| 29 | 11020-06200 | BOLTSW | 2 |
| 30 | 15401-10016 | COLLAR | 2 |
| 31 | 72935-86440 | CUSHION | 2 |
| 32 | 72935-86421 | CUSHION | 4 |
| 33 | 17901-06150 | COLLAR | 2 |
| 34 | 11020-06250 | BOLTSW | 2 |
| 35 | 15401-20004 | COLLAR | 2 |
| 36 | 72935-86431 | CUSHION | 1 |
| 37 | 72935-87100 | BANDASSY | 2 |
| 38 | 72935-87111 | *BAND | 2 |
| 39 | 72935-87120 | *BAND | 2 |
| 40 | 72451-17230 | *BUCKLE | 2 |
| 41 | 72935-87210 | BAND | 1 |
| 42 | 01215-06300 | SCREW | 1 |
| 43 | 22011-97840 | LOCKNUT | 1 |
| 44 | 15401-10016 | COLLAR | 1 |
| 45 | 72935-87310 | RING | 2 |





| | | | |
|------|-------------|-------------|---|
| 9- 1 | 72935-91000 | TOOLSET | 1 |
| 2 | 22900-91180 | *PLUGWRENCH | 1 |
| 3 | 09026-03001 | *HEXAWRENCH | 1 |
| 4 | 09026-04001 | *HEXAWRENCH | 1 |
| 5 | 09026-05001 | *HEXAWRENCH | 1 |
| 6 | 19639-01100 | *POLYBAG | 1 |





| | | | |
|-------|-------------|--------------------|---|
| 10- 1 | 68237-84010 | THROTTLELEVERASSY | 1 |
| 2 | 68209-84320 | *STAY | 1 |
| 3 | 68209-84330 | *STAY | 1 |
| 4 | 68209-84340 | *THROTTLELEVER | 1 |
| 5 | 68209-84350 | *LOCKLEVER | 1 |
| 6 | 68209-84360 | *ADJUSTBOLT | 1 |
| 7 | 68209-84370 | *WASHER | 2 |
| 8 | 68209-84380 | *ADJSPRING | 2 |
| 9 | 68209-84390 | *WASHER | 1 |
| 10 | 68209-84400 | *PLATE | 1 |
| 11 | 68209-84410 | *NYLONNUT | 1 |
| 12 | 68209-84420 | *RUBBERCAP | 1 |
| 13 | 68237-84310 | *THROTTLECABLEASSY | 1 |
| 28 | 68237-84330 | **THROTTLECABLE | 1 |
| 29 | 68237-84320 | **SWITCH | 1 |
| 14 | 68209-84440 | *SCREW | 6 |
| 15 | 68209-84450 | *BANDRIGHT | 1 |
| 16 | 68209-84460 | *BANDLEFT | 1 |
| 17 | 68209-84470 | *KNOBBOLT | 1 |
| 18 | 68209-84480 | *ADJUSTERASSY | 1 |
| 19 | 68209-84490 | *PLUG | 1 |
| 20 | 68209-84500 | *SCREW | 1 |
| 21 | 68209-84510 | *SUBLEVER | 1 |
| 22 | 68209-84520 | *WASHER | 1 |
| 23 | 68209-84530 | *ADJSPRING | 1 |
| 24 | 68209-84540 | *GRIP | 1 |
| 25 | 68209-84550 | *GRIP | 1 |
| 26 | 68209-84560 | *SCREW | 1 |
| 27 | 68237-84340 | SPACER | 2 |

