

OREC

ISSUED NO. SF600D EU-1

Parts catalogue

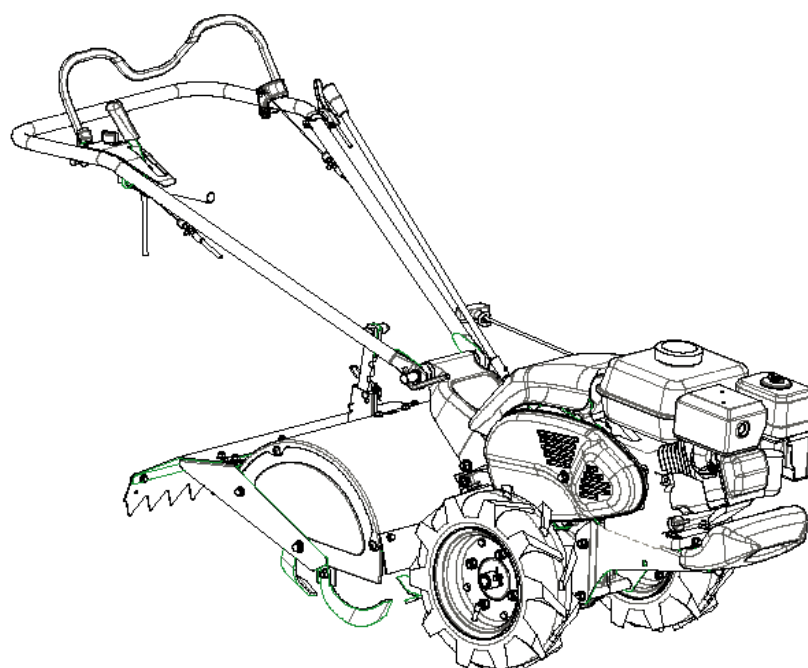
Mini Tiller

(EXPORT MODEL)

SF600D

MODEL
SF600D

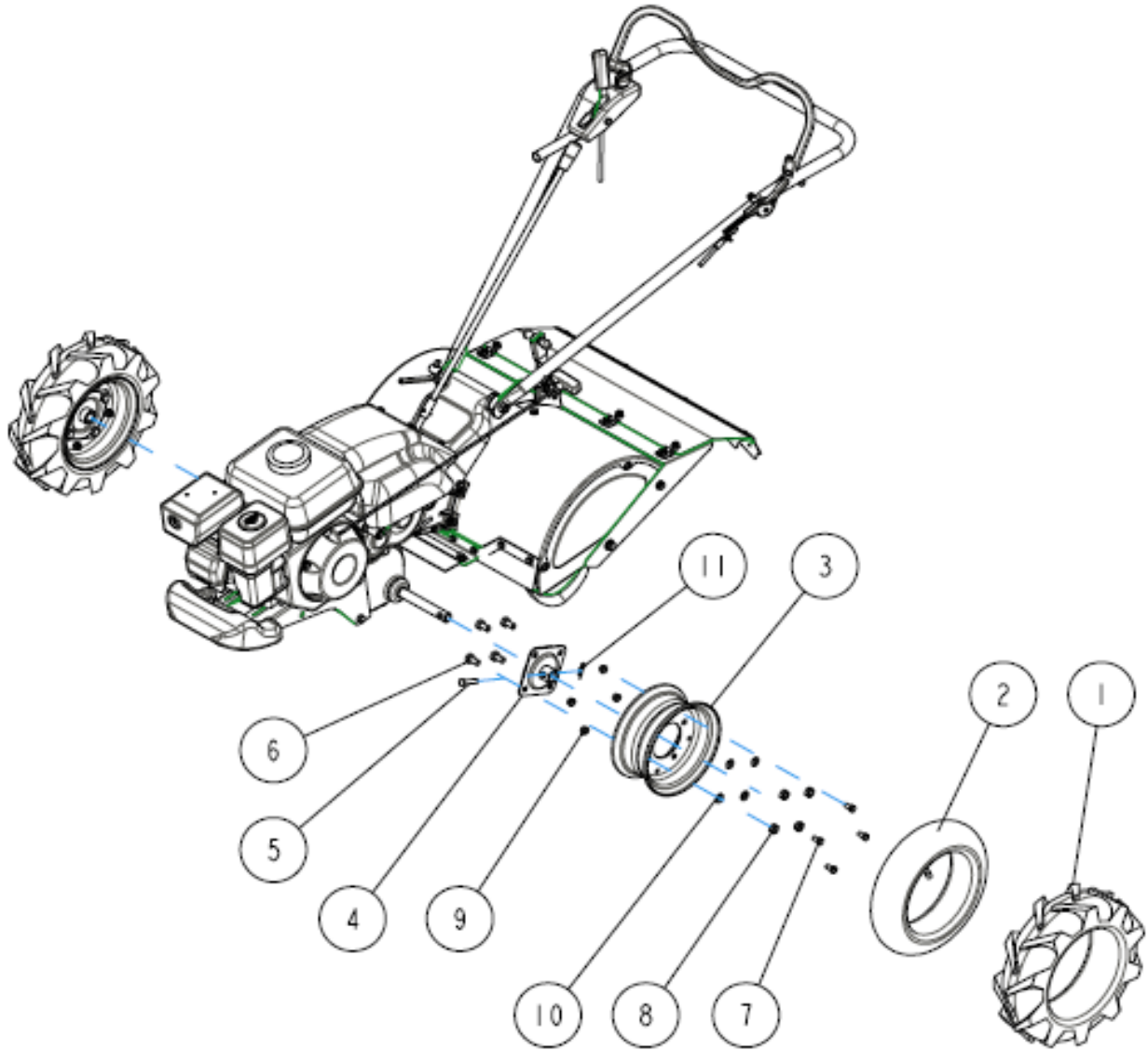
CODE
0032-



CONTENTS	
TIRE	1
REAR COVER	2
TINE SHAFT	3
BELT	4-5
FRAME	6
HANDLE	7-8
ROTARY COVER	9-10
CHANGE LEVER	11-12
TRANSMISSION	13-18

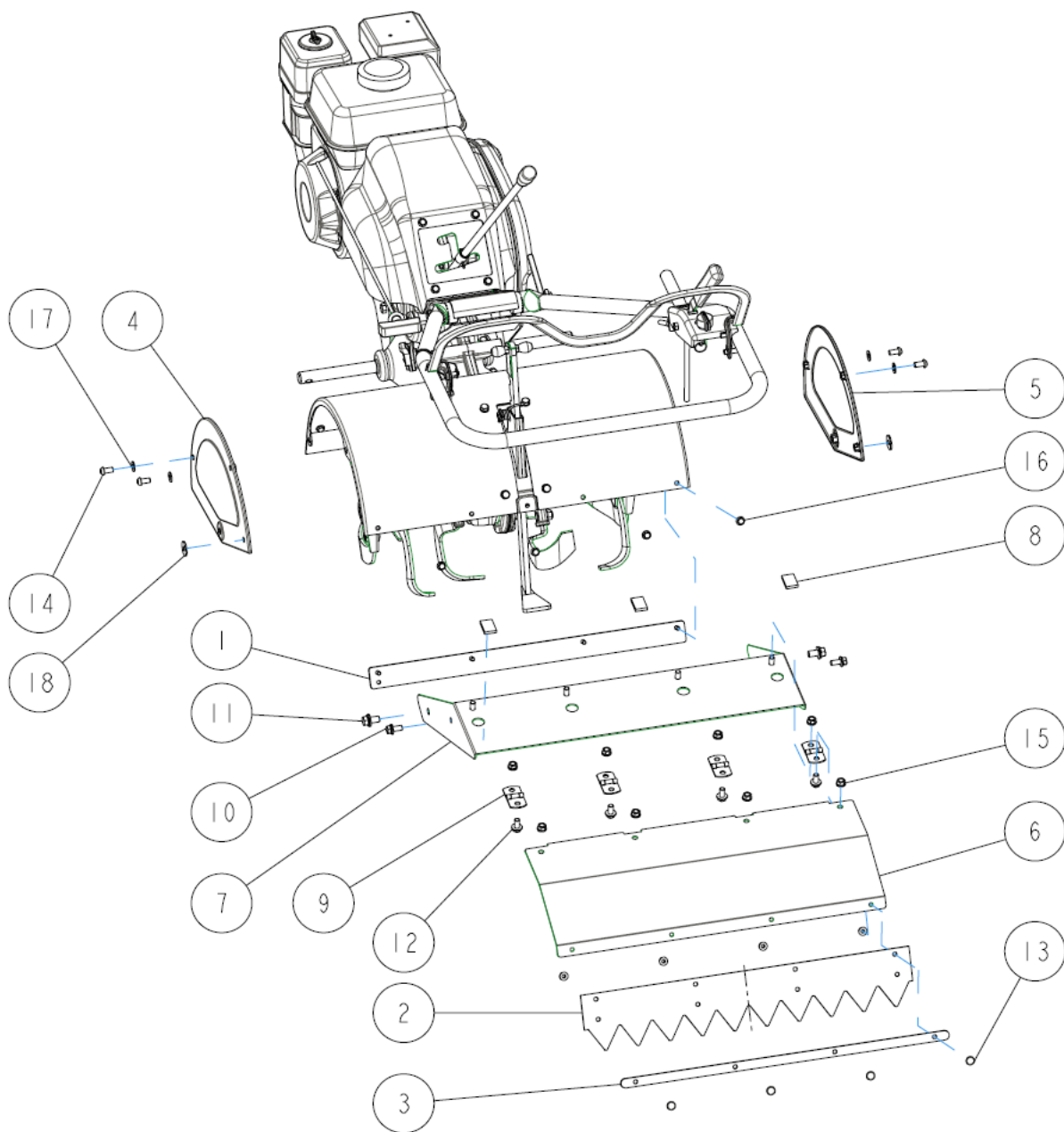
OREC CO.,LTD

Update : Feb 2011



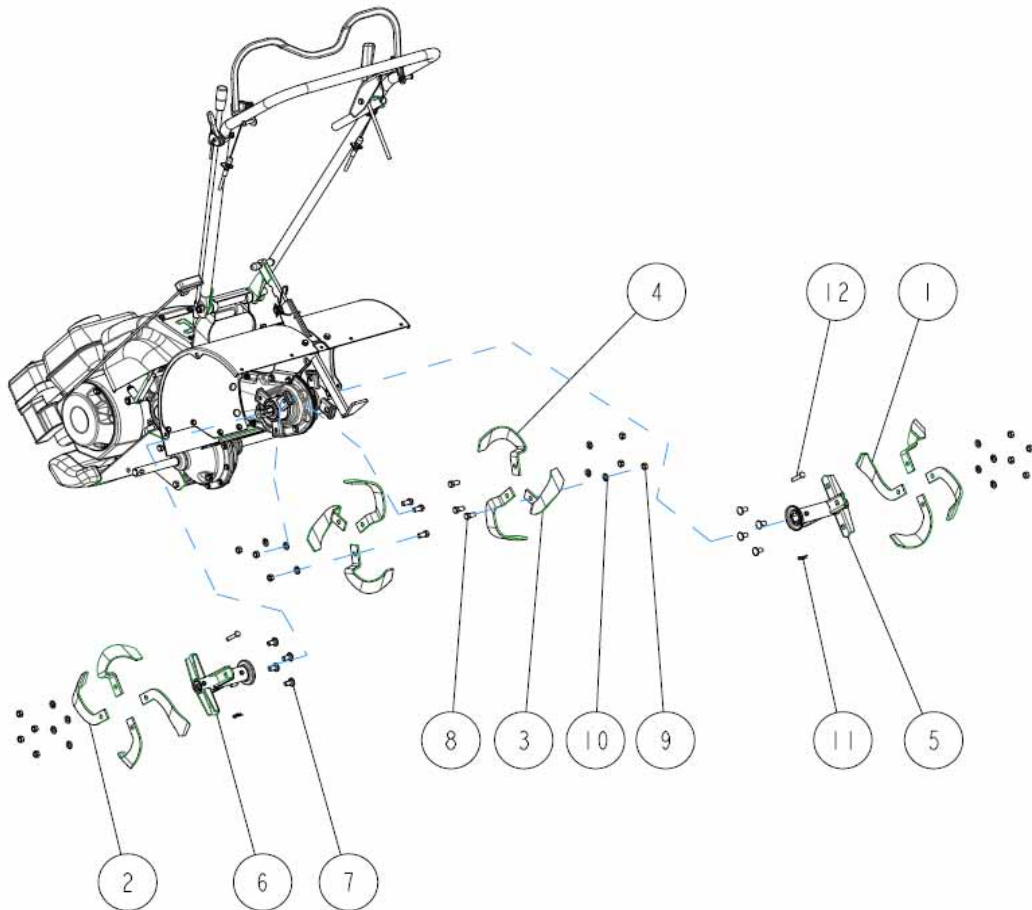
11	89-2131-100002	Snap Pin 10	2	
10	89-1750-100002	Spring Washer 10	8	
9	89-1543-080002	Mini Hexagonal Nut (SW) M8	8	
8	89-1511-100042	Hexagonal Nut M10	8	
7	89-1211-080162	Mini Hexagonal Bolt M8*16	8	
6	89-1111-100202	Hexagonal Bolt M10*20	8	
5	83-1260-154-00	Flat-Headed Pin 9*45	2	
4	80-1260-413-00	Wheel Boss	2	
3	80-1260-407-00	Wheel Assy 3.50-7	2	
2	80-1260-404-00	Tire Tube 3.50-7	2	
1	80-1260-401-00	Tire (3.50*7)	2	
Ref.	Parts Number	Parts Name	Quantity	Remarks

REAR COVER

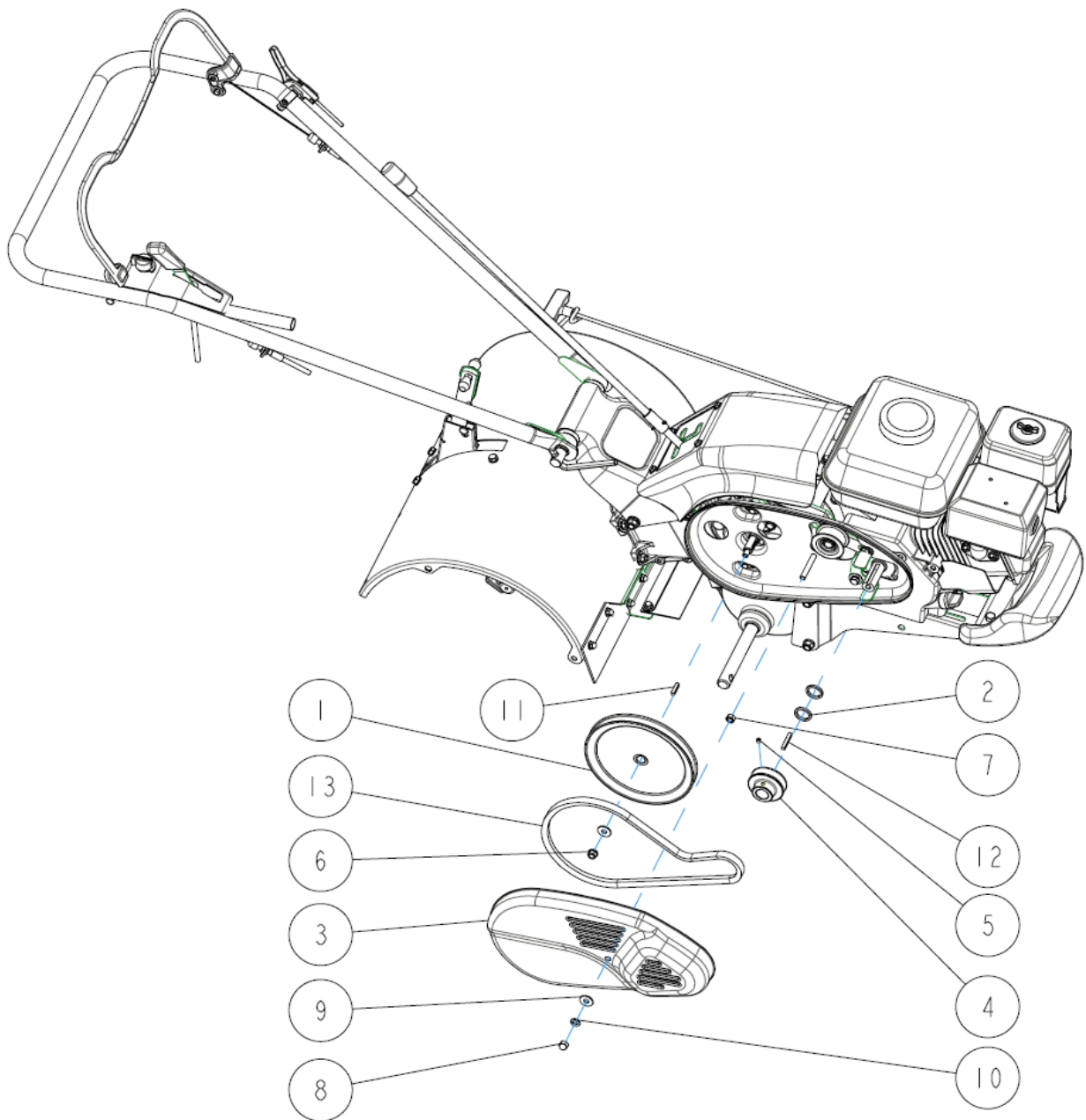


18	89-1714-080002	Flat Washer 8	2	
17	89-1711-080002	Flat Washer 8	4	
16	89-1581-060042	Flange Cap Nut M6	8	
15	89-1543-080002	Mini Hexagonal Nut (SW) M8	8	
14	89-1433-080162	Hexagonal Hole Bolt M8*16	4	
13	89-1390-060122	Welded Bolt M6*12	4	
12	89-1253-080162	Flange Mini Hexagonal Bolt (8T) M8*16	4	
11	89-1236-100202	Mini Hexagonal Bolt (PWSW) M10*20	2	
10	89-1236-080202	Mini Hexagonal Bolt (PWSW) M8*20	2	
9	83-1806-757-00	Hinge	4	
8	0031-61400	Sponge Rubber	3	
7	0031-61100	Rear Cover Setting CMP	1	
6	0016-60800	Rotary Rear Cover	1	
5	0016-60700	Side Cover (R)	1	
4	0016-60600	Side Cover (L)	1	
3	80-1260-786-00	Flapper Holder	1	
2	80-1260-781-00	Rear Flapper A	1	
1	80-1260-738-00	Rear Plate Setting	1	
Ref.	Parts Number	Parts Name	Quantity	Remarks

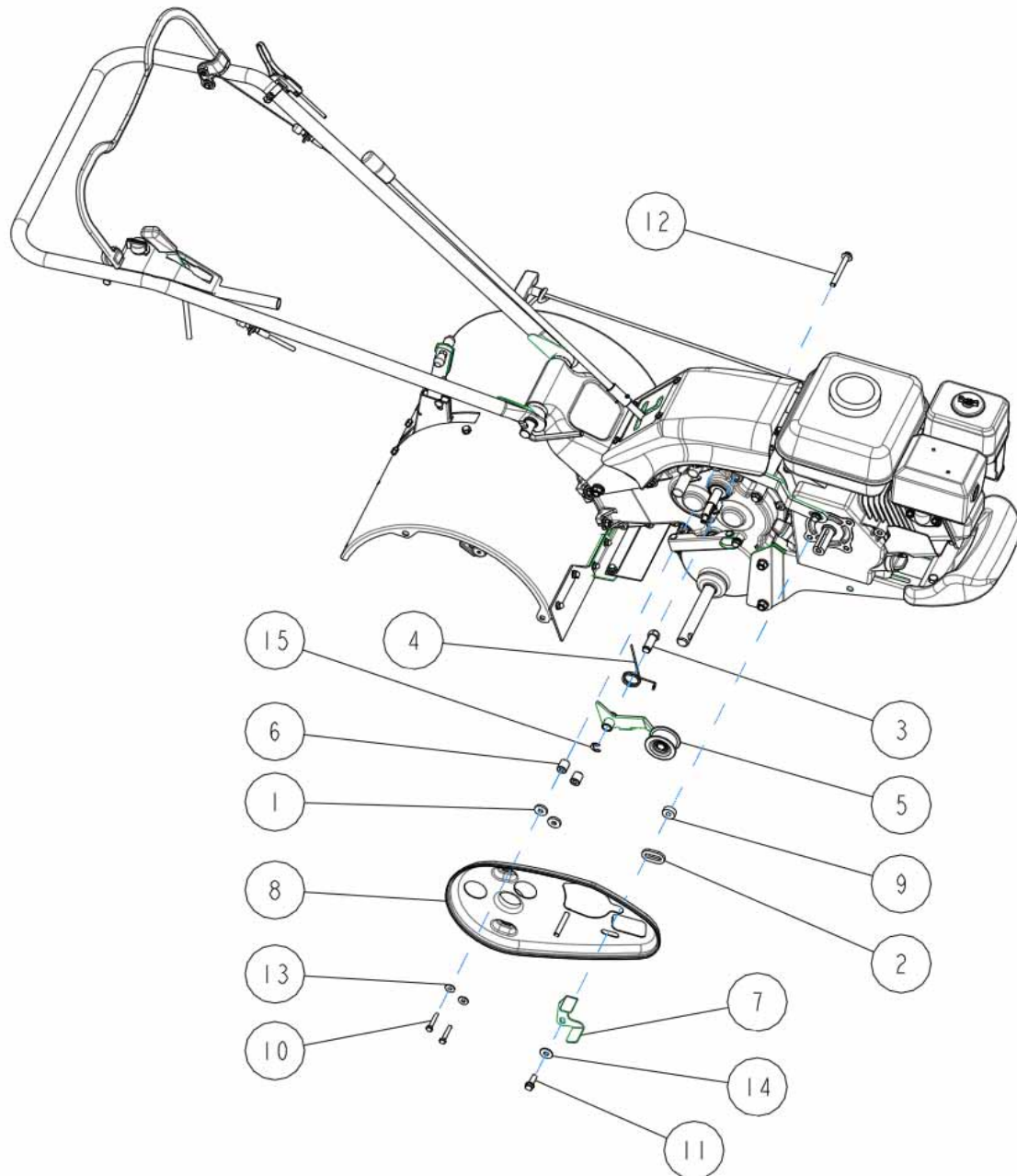
TINE SHAFT



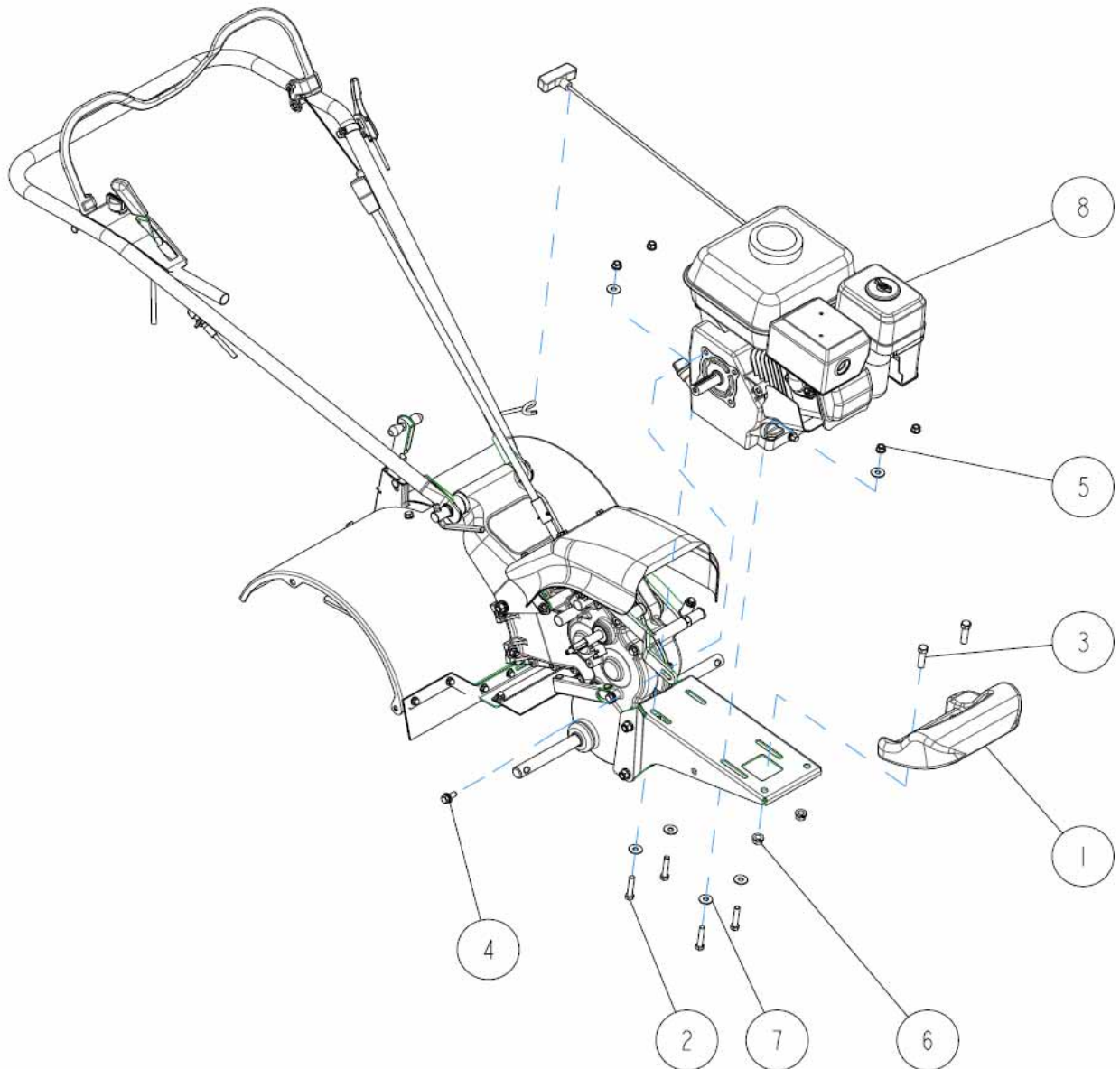
12	89-2191-080452	Round Head Pin 8*45	2	
11	89-2131-080002	Snap Pin 8	2	
10	89-1750-100002	Spring Washer 10	14	
9	89-1611-100042	Mini Hexagonal Nut M10	14	
8	89-1213-100202	Mini Hexagonal Bolt (8T) M10*20	6	
7	85-1321-836-00	Bolt M10*20	8	
6	0032-50300	Tine Shaft B (L) CMP	1	
5	0032-50200	Tine Shaft B (R) CMP	1	
4	80-1310-827-00	Eccentric Tine (R)	4	
3	80-1310-826-00	Eccentric Tine (L)	4	
2	80-1310-822-00	Tine (R)	3	
1	80-1310-821-00	Tine (L)	3	
Ref.	Parts Number	Parts Name	Quantity	Remarks



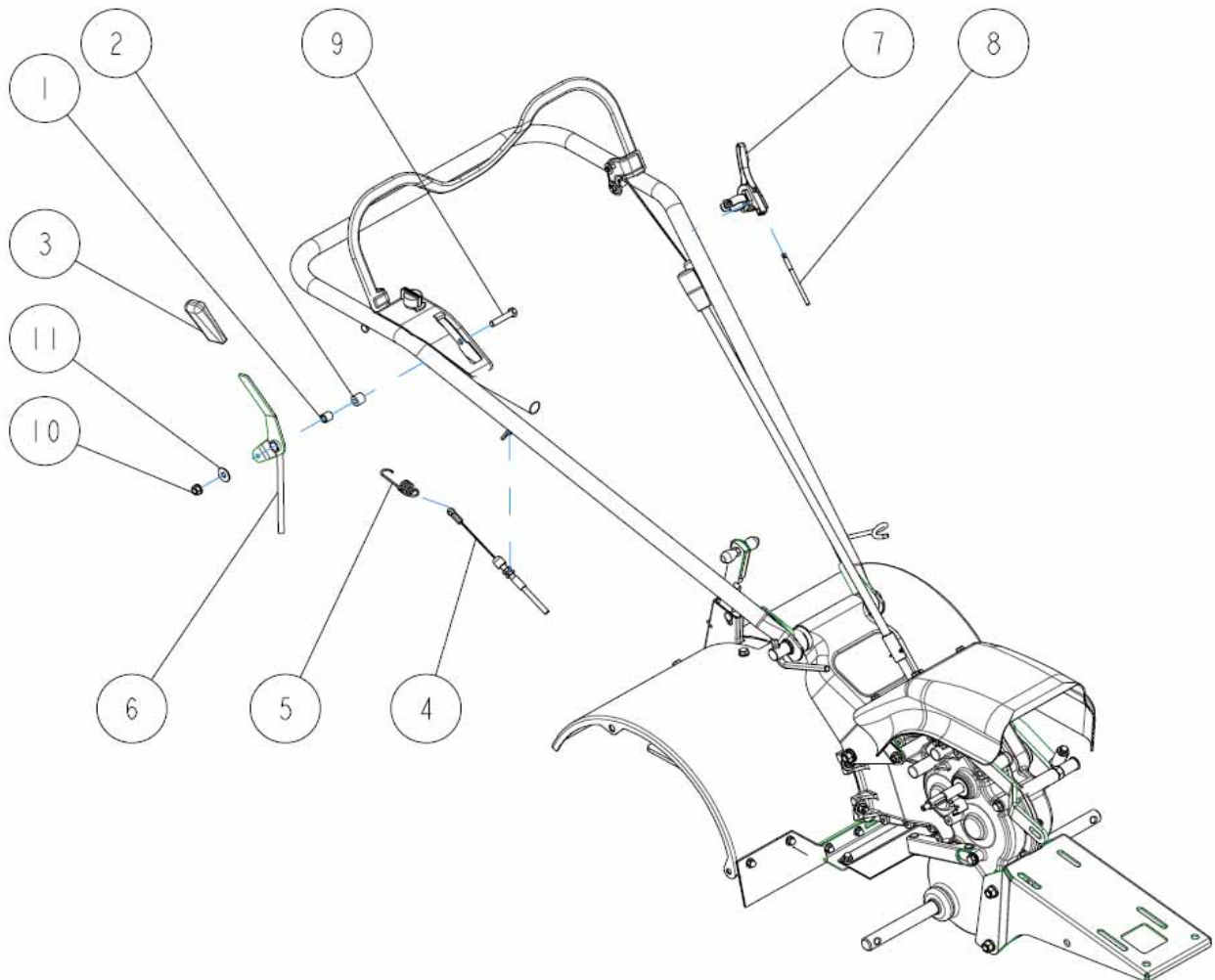
13	89-6122-003202	V Belt SA-32 (W400P)	1	
12	89-2152-050350	Key 5*35	1	
11	89-2150-050250	Key 5*25 (round)	1	
10	89-1750-080002	Spring Washer 8	1	
9	89-1713-080002	Flat Washer 8 (large)	2	
8	89-1671-080042	Mini Cap Nut M8	1	
7	89-1561-080002	Mini Hexagonal U Nut M8	1	
6	89-1543-080002	Mini Hexagonal Nut (SW) M8	1	
5	89-1172-060065	Hexagonal Hole Screw M6*6	1	
4	0031-40600	Engine Pulley (H.M.K)	1	
3	0031-40200	Belt Cover Out	1	
2	80-1321-515-10	Engine Pulley Collar 3.5L	2	
1	80-1260-521-00	Transmission Pulley	1	
Ref.	Parts Number	Parts Name	Quantity	Remarks



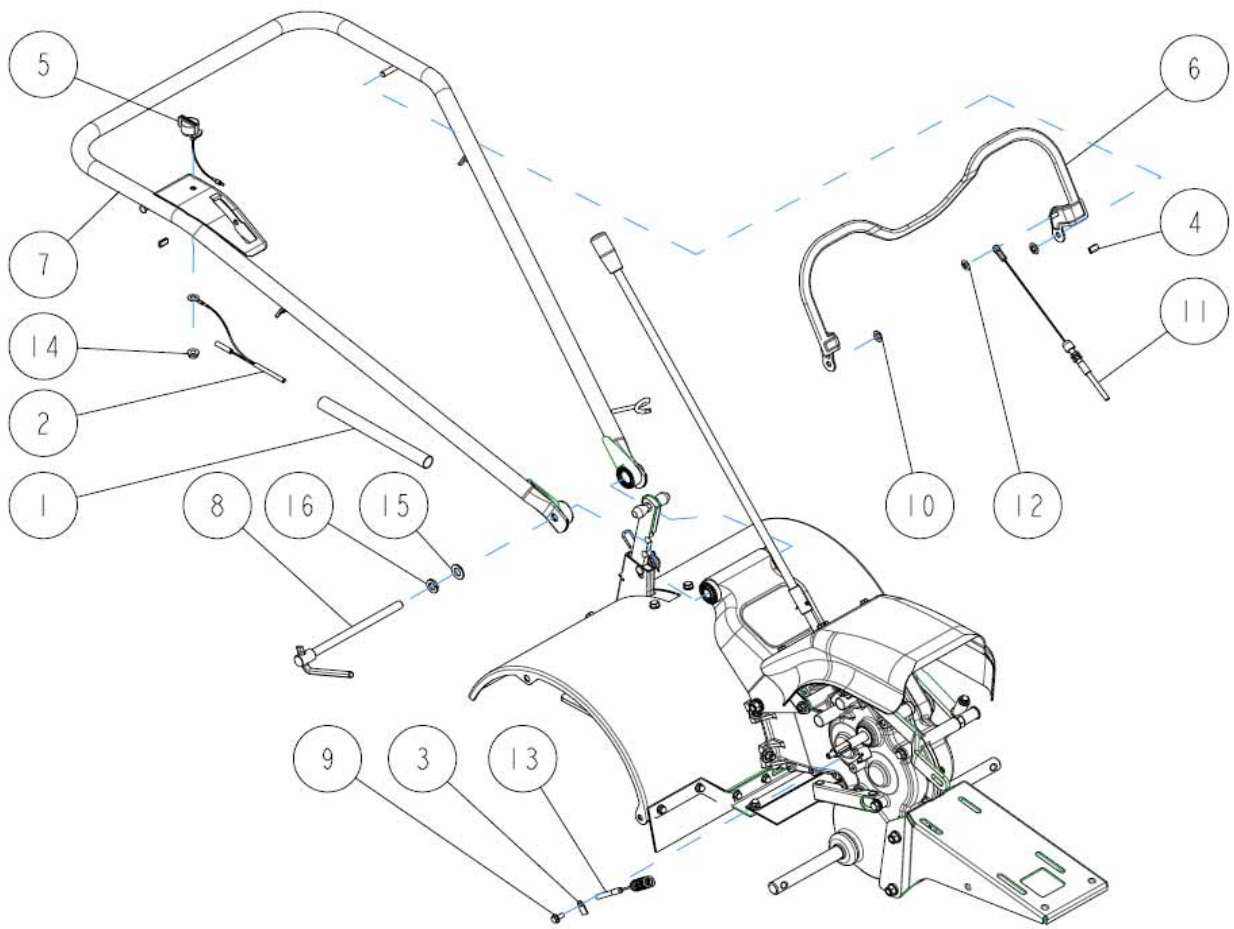
15	89-2521-000100	E Type Ring 10	1	
14	89-1713-080002	Flat Washer 8 (large)	1	
13	89-1713-060002	Flat Washer 6 (large)	2	
12	89-1253-080702	Flange Mini Hexagonal Bolt (8T) M8*70	1	
11	89-1232-080252	Mini Hexagonal Bolt (SW) M8*25	1	
10	89-1113-060352	Hexagonal Bolt (8T) M6*35	2	
9	0031-70610	Belt Cover Spacer 8.5*22*8	1	
8	0031-41100	Belt Cover In	1	
7	0031-40500	Belt Holder	1	
6	0031-40400	Setting Collar for Belt Cover In	2	
5	0031-40300	Tension Arm CMP	1	
4	80-1260-552-00	Spring	1	
3	80-1260-535-00	Tension Arm Shaft	1	
2	80-1260-501B-00	Spacer	1	
1	80-1035-988-00	Spacer Rubber	2	
Ref.	Parts Number	Parts Name	Quantity	Remarks



8	9006-0171	GX160U1-S1CY	1	
7	89-1713-080002	Flat Washer 8 (large)	6	
6	89-1543-100002	Mini Hexagonal Nut (SW) M10	2	
5	89-1543-080002	Mini Hexagonal Nut (SW) M8	4	
4	89-1239-080202	Mini Hexagonal Bolt (PWSW) M8*20	1	
3	89-1213-100352	Mini Hexagonal Bolt (8T) M10*35	2	
2	89-1213-080402	Mini Hexagonal Bolt (8T) M8*40	4	
1	0031-20210	Balance Weight	1	
Ref.	Parts Number	Parts Name	Quantity	Remarks

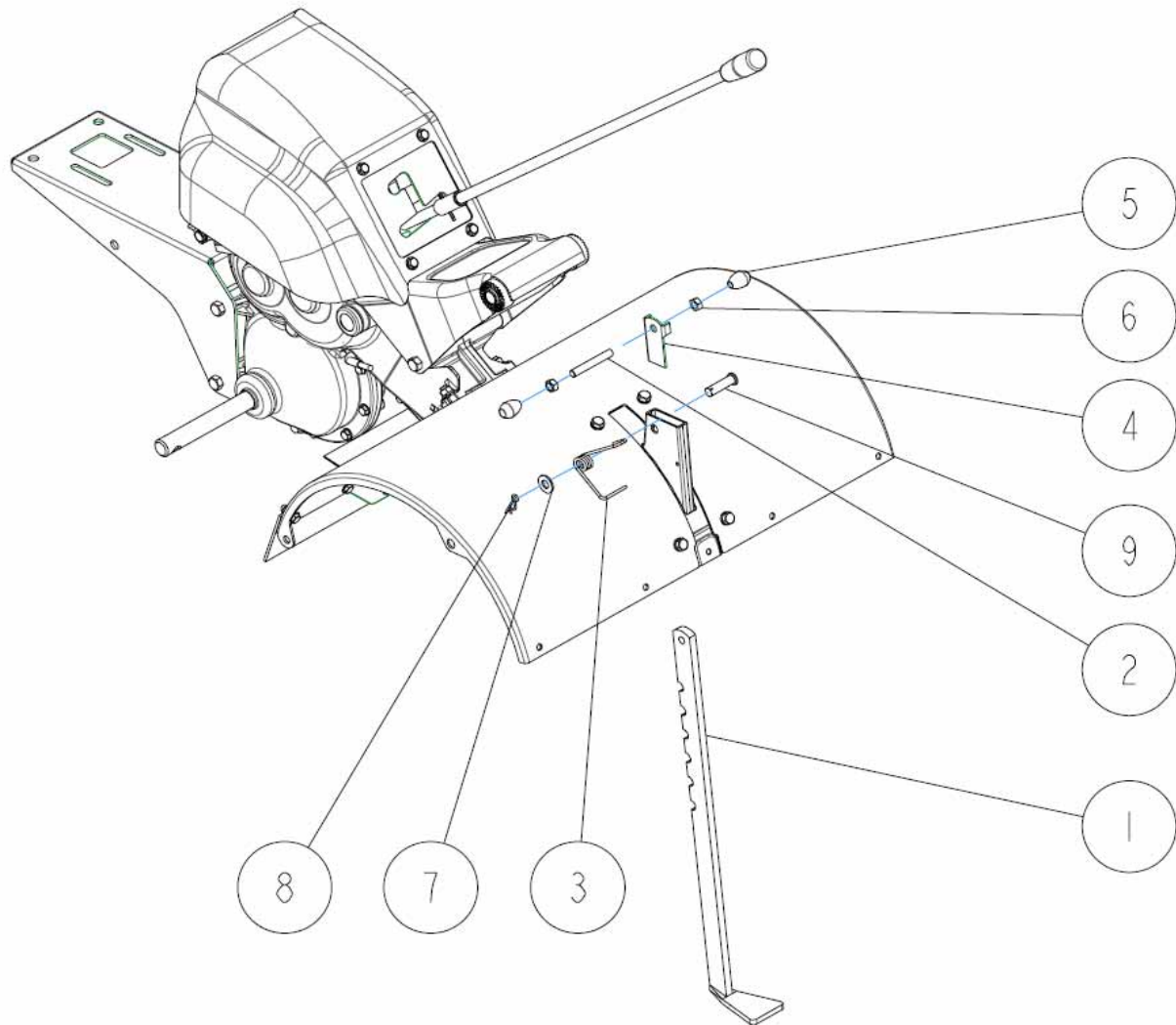


11	89-1713-080002	Flat Washer 8 (large)	1	
10	89-1543-080002	Mini Hexagonal Nut (SW) M8	1	
9	89-1213-080402	Mini Hexagonal Bolt (8T) M8*40	1	
8	0023-72500	Throttle Wire	1	
7	83-1260-461-00	Throttle Lever	1	
6	0031-10800	Differential Lock Lever	1	
5	0031-10700	Spring for Differential Lock Return	1	
4	0016-73100	Differential Lock Wire	1	
3	80-1515-262-00	Arm Grip (Black)	1	
2	80-1260-234-10	Differential Lock Lever Collar	1	
1	80-1020-270-00	Inner Collar	1	
Ref.	Parts Number	Parts Name	Quantity	Remarks



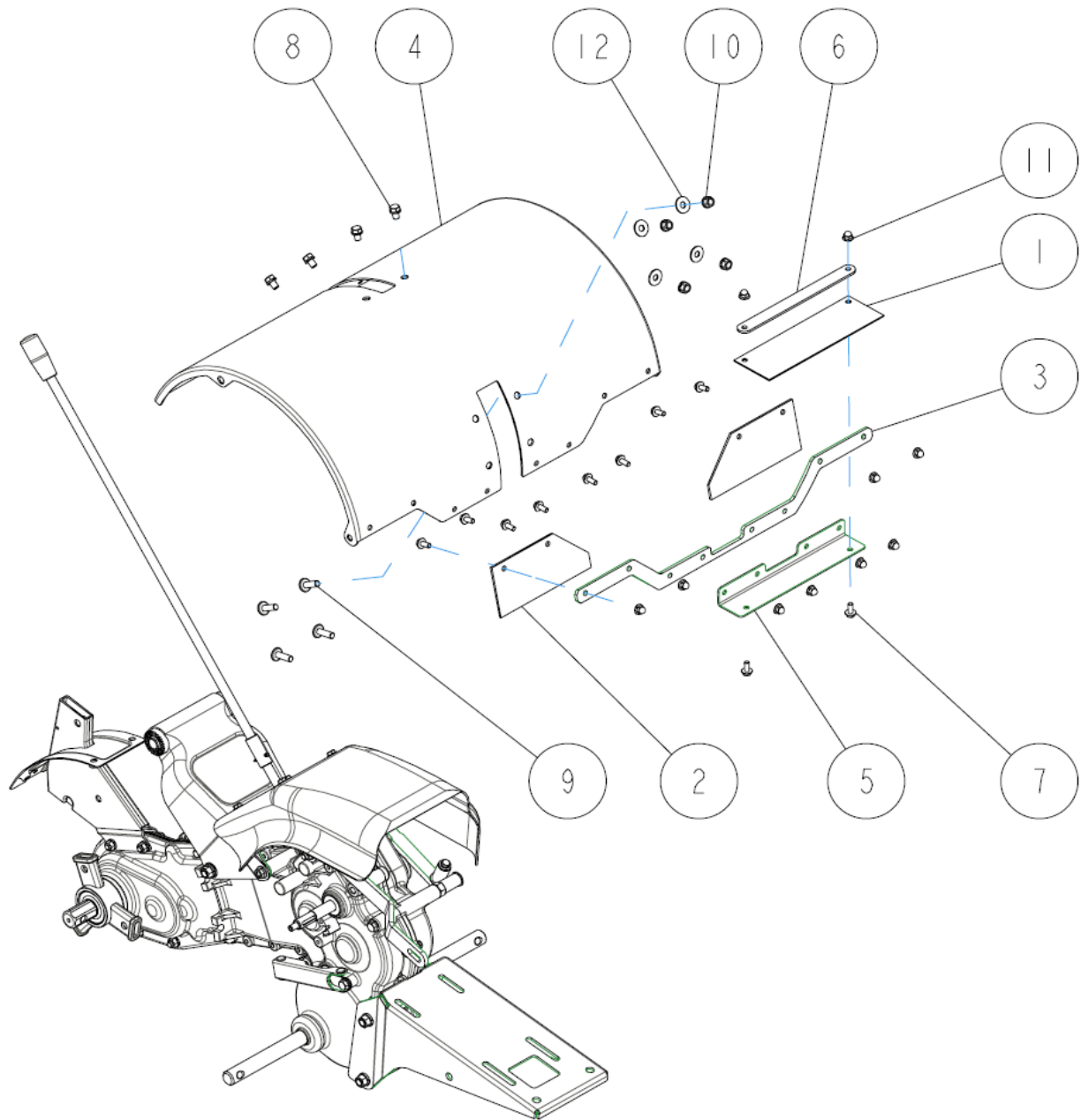
16	89-1750-120002	Spring Washer 12	1	
15	89-1714-120002	Flat Washer 12	1	
14	89-1631-080042	Flange Mini Hexagonal Nut M8	1	
13	83-1260-931-10	Main Clutch Wire	1	
12	83-1515-177-00	Push Nut 6	1	
11	83-1260-932-00	Main Clutch Wire	1	
10	83-1020-177-00	Push Nut 8	2	
9	83-1020-148-00	Tapping Bolt M6*14	1	
8	0046-70300	Flexible Handle M12*185	1	
7	0031-12100	Handle CMP	1	
6	0023-10600	Clutch Lever CMP	1	
5	0016-72500	Engine Stop Switch	1	
4	0016-10300	Rubber 15L	3	
3	80-1515-186-00	Wire Holder	1	
2	80-1260-288-20	Engine Stop Wire Harness	1	
1	80-1260-225-00	Tube 10-200L	1	
Ref.	Parts Number	Parts Name	Quantity	Remarks

ROTARY COVER



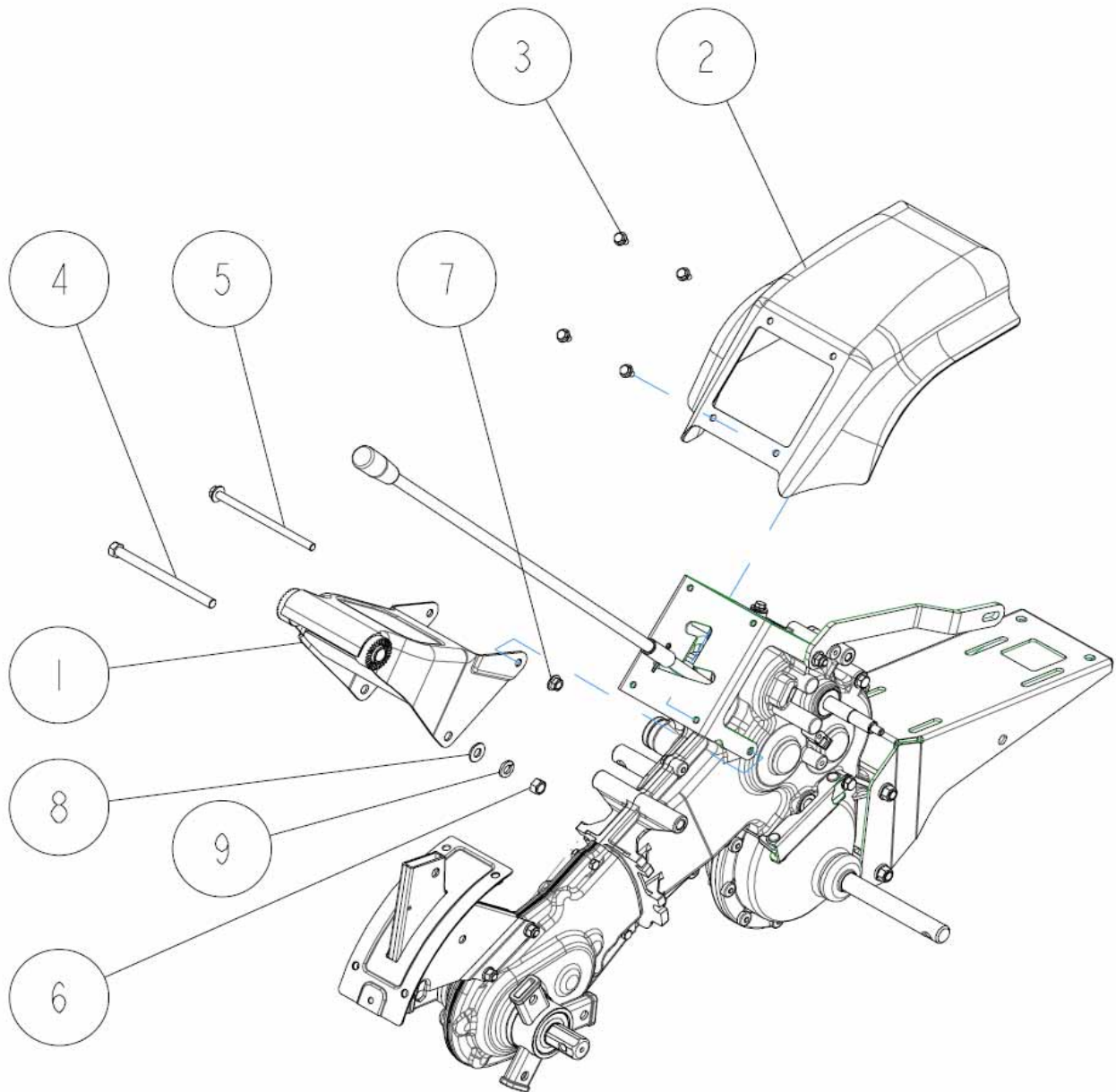
9	89-2181-060182	Flat Head Pin 6*18	1	
8	89-2131-100002	Snap Pin 10	1	
7	89-1714-100002	Flat Washer 10	1	
6	89-1611-080042	Mini Hexagonal Nut M8	2	
5	83-1260-423-00	Grip Rubber	2	
4	0023-60100	Resistant Bar Stopper	1	
3	80-1260-746-00	Spring	1	
2	80-1260-745-00	Screw M8*58	1	
1	80-1260-743-10	Bar for Tilling Depth Adjustment	1	
Ref.	Parts Number	Parts Name	Quantity	Remarks

ROTARY COVER



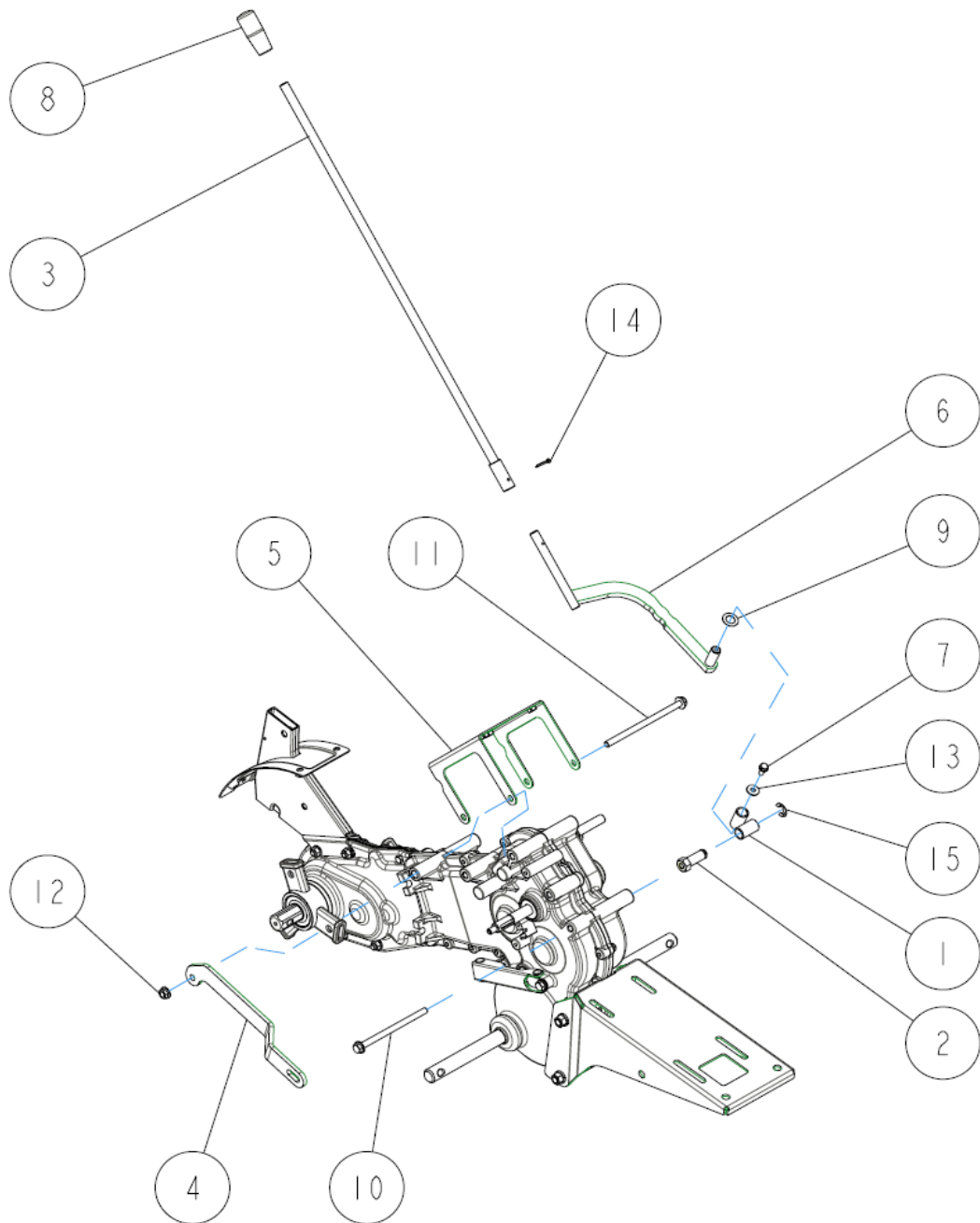
12	89-1713-080002	Flat Washer 8 (large)	4	
11	89-1581-060042	Flange Cap Nut M6	10	
10	89-1543-080002	Mini Hexagonal Nut (SW) M8	4	
9	89-1390-080252	Welded Bolt M8*25	4	
8	89-1232-080122	Mini Hexagonal Bolt (SW) M8*12	4	
7	89-1137-060152	Hexagonal Bolt (PW) M6*15	10	
6	0032-60200	Flapper Holder 190L	1	
5	0032-60100	Stay for Center Flapper	1	
4	0031-61200	Rotary Cover	1	
3	0031-60210	Rotary Cover Reinforcement (Front)	1	
2	0016-60500	Front Flapper	2	
1	80-1260-782-10	Rear Flapper B	1	
Ref.	Parts Number	Parts Name	Quantity	Remarks

CHANGE LEVER

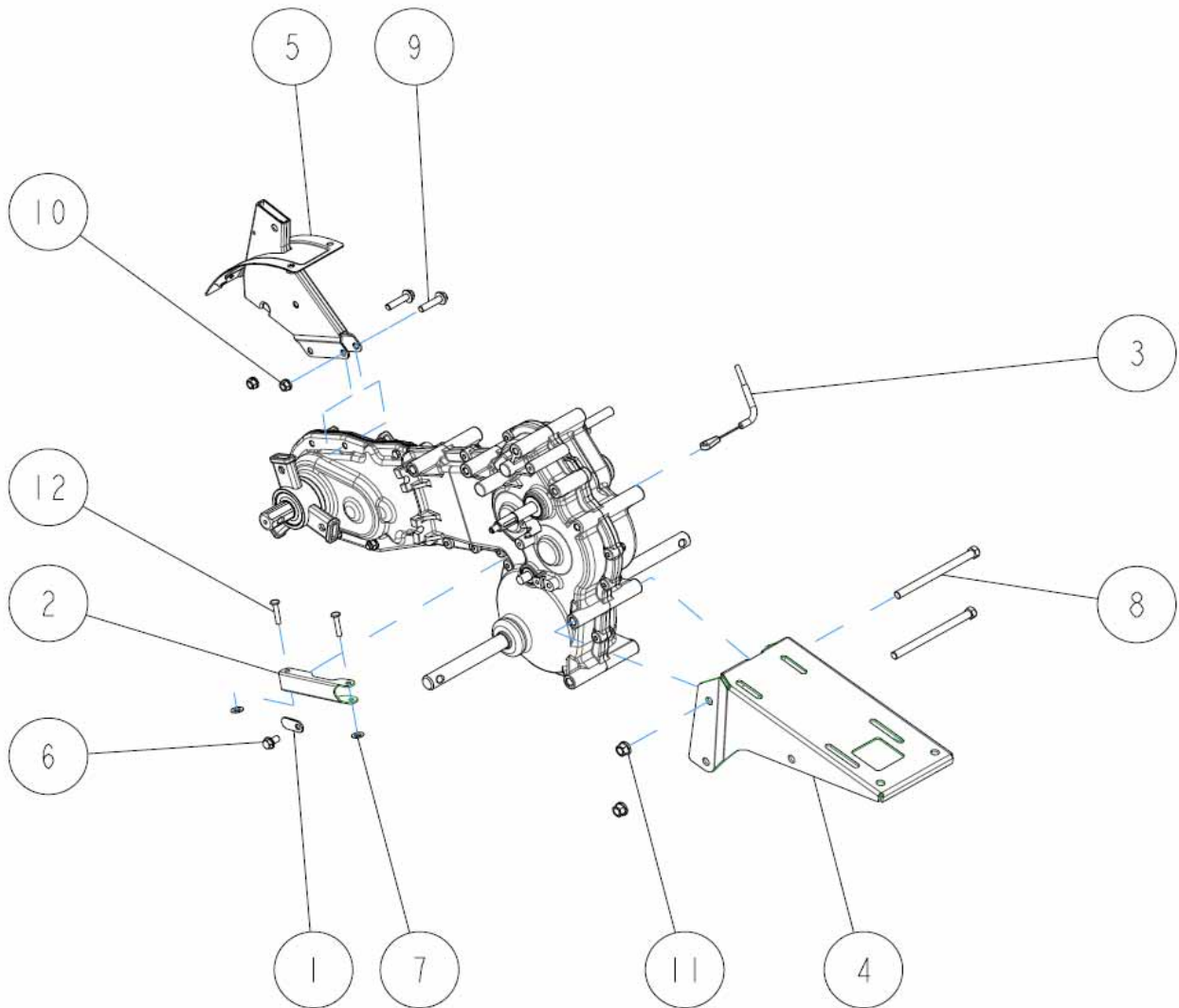


9	89-1750-100002	Spring Washer 10	1	
8	89-1714-100002	Flat Washer 10	1	
7	89-1631-080042	Flange Mini Hexagonal Nut M8	1	
6	89-1611-100042	Mini Hexagonal Nut M10	1	
5	89-1253-081353	Flange Mini Hexagonal Bolt (8T) M8*135	1	
4	89-1213-101352	Mini Hexagonal Bolt (8T) M10*135	1	
3	89-1137-060122	Hexagonal Bolt (PW) M6*12	4	
2	0031-10410	Change Guide Cover	1	
1	0023-10300	Bracket for Handle	1	
Ref.	Parts Number	Parts Name	Quantity	Remarks

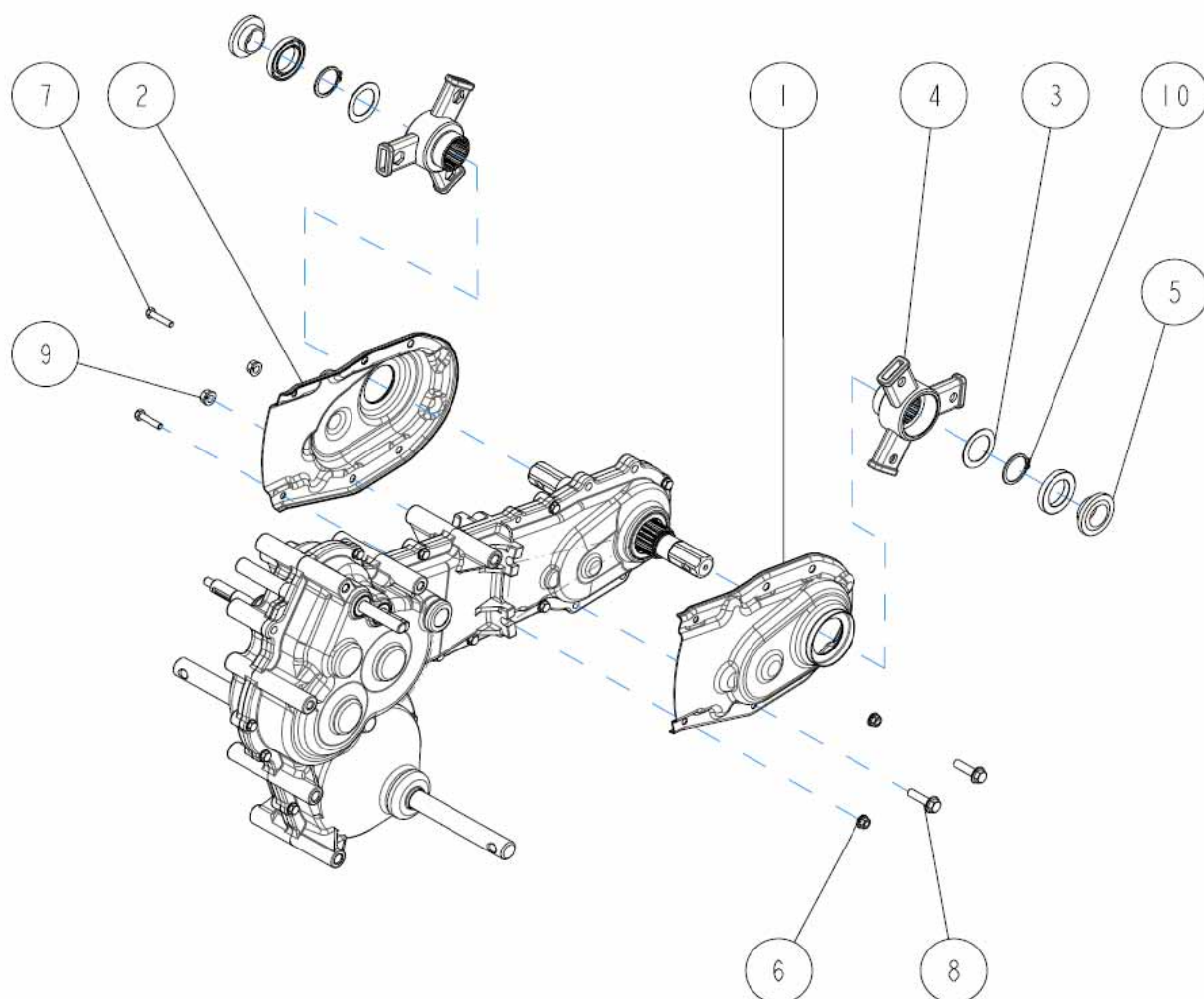
CHANGE LEVER



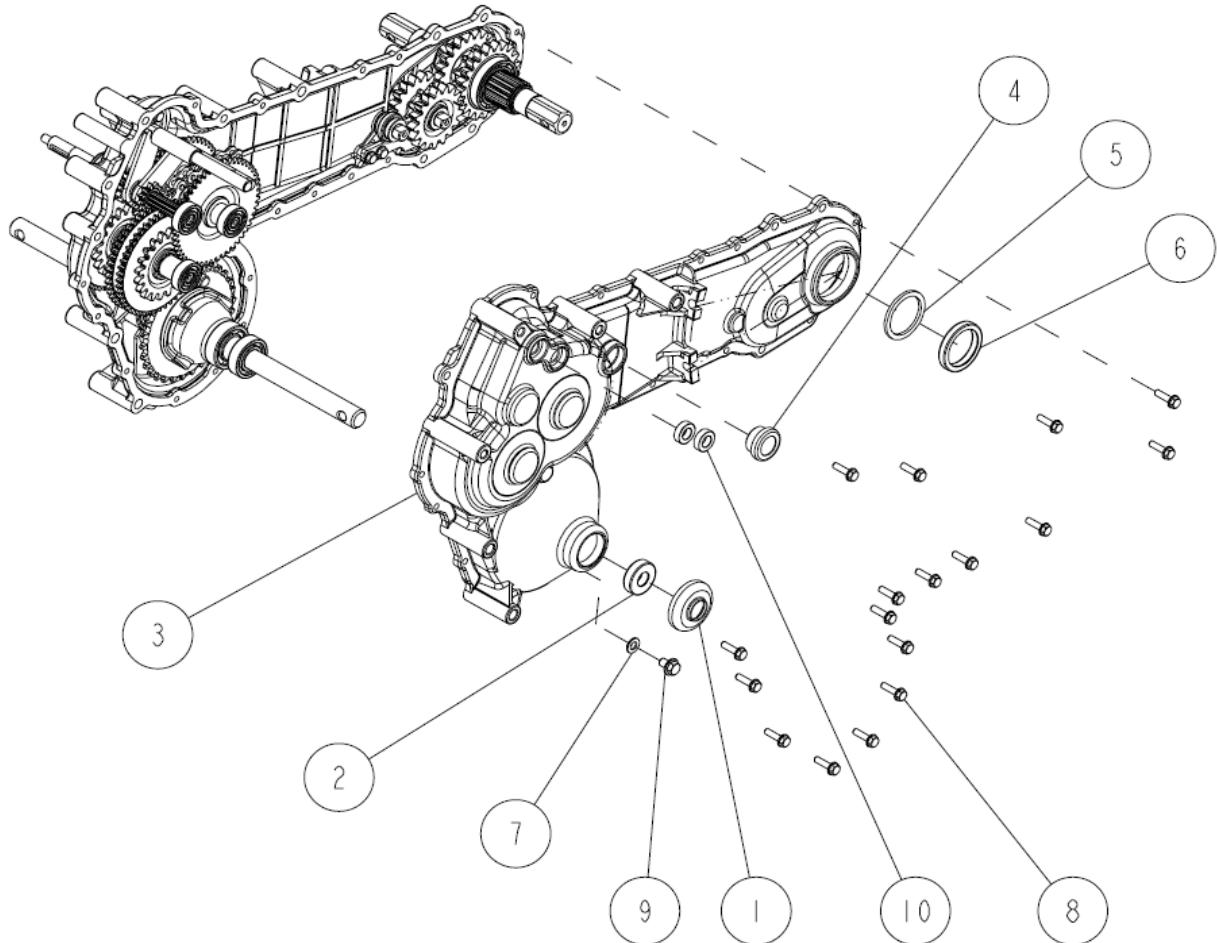
15	89-2521-000100	E Type Ring 10	1	
14	89-2120-300252	Split Pin 3*25	1	
13	89-1713-060002	Flat Washer 6 (large)	1	
12	89-1631-080042	Flange Mini Hexagonal Nut M8	1	
11	89-1253-081403	Flange Mini Hexagonal Bolt (8T) M8*140	1	
10	89-1253-081253	Flange Mini Hexagonal Bolt (8T) M8*125	1	
9	83-1754-329-00	Washer 13*22*1.0	1	
8	83-1711-426-00	Lever Grip 12	1	
7	83-1515-112-00	Hexagonal Bolt (SW) M6*14 (Lock)	1	
6	0046-10200	Change Lever CMP	1	
5	0032-11100	Change Guide CMP	1	
4	0031-20300	Engine Stay	1	
3	0031-10600	Change Lever Arm CMP	1	
2	80-1260-535-00	Tension Arm Shaft	1	
1	80-1260-266-00	Change Lever Boss	1	
Ref.	Parts Number	Parts Name	Quantity	Remarks



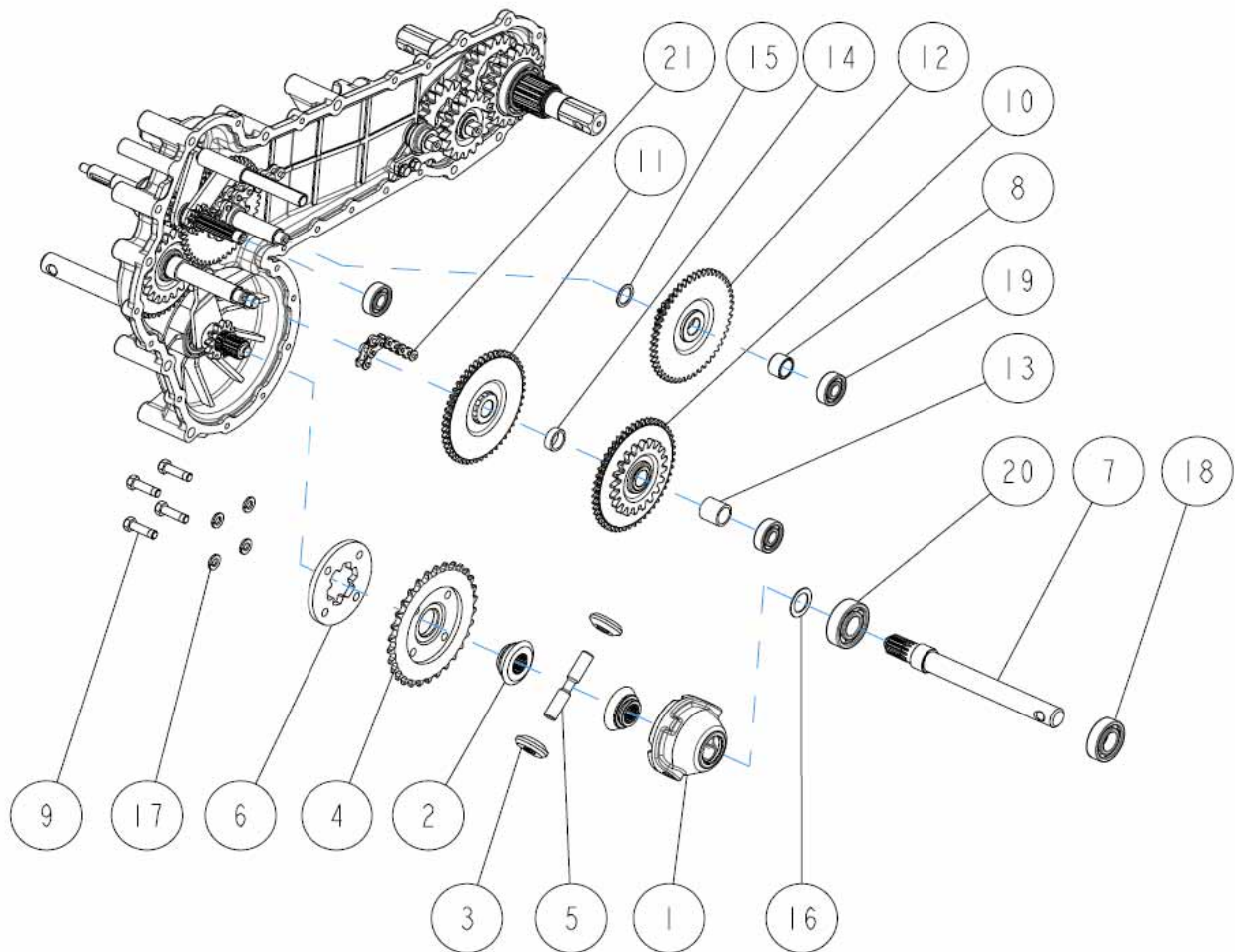
12	89-2181-060307	Flat Head Pin 6*30	2	
11	89-1543-100002	Mini Hexagonal Nut (SW) M10	2	
10	89-1543-080002	Mini Hexagonal Nut (SW) M8	2	
9	89-1253-080352	Flange Mini Hexagonal Bolt (8T) M8*35	2	
8	89-1213-101352	Mini Hexagonal Bolt (8T) M10*135	2	
7	83-1515-177-00	Push Nut 6	2	
6	0031-70800	Tapping Bolt M8*18	1	
5	0031-61300	Case CMP	1	
4	0031-21100	Engine Base	1	
3	0025-70200	Differential Lock Wire	1	
2	0023-10800	Differential Lock Arm	1	
1	0023-00200	Differential Lock Arm Holder	1	
Ref.	Parts Number	Parts Name	Quantity	Remarks



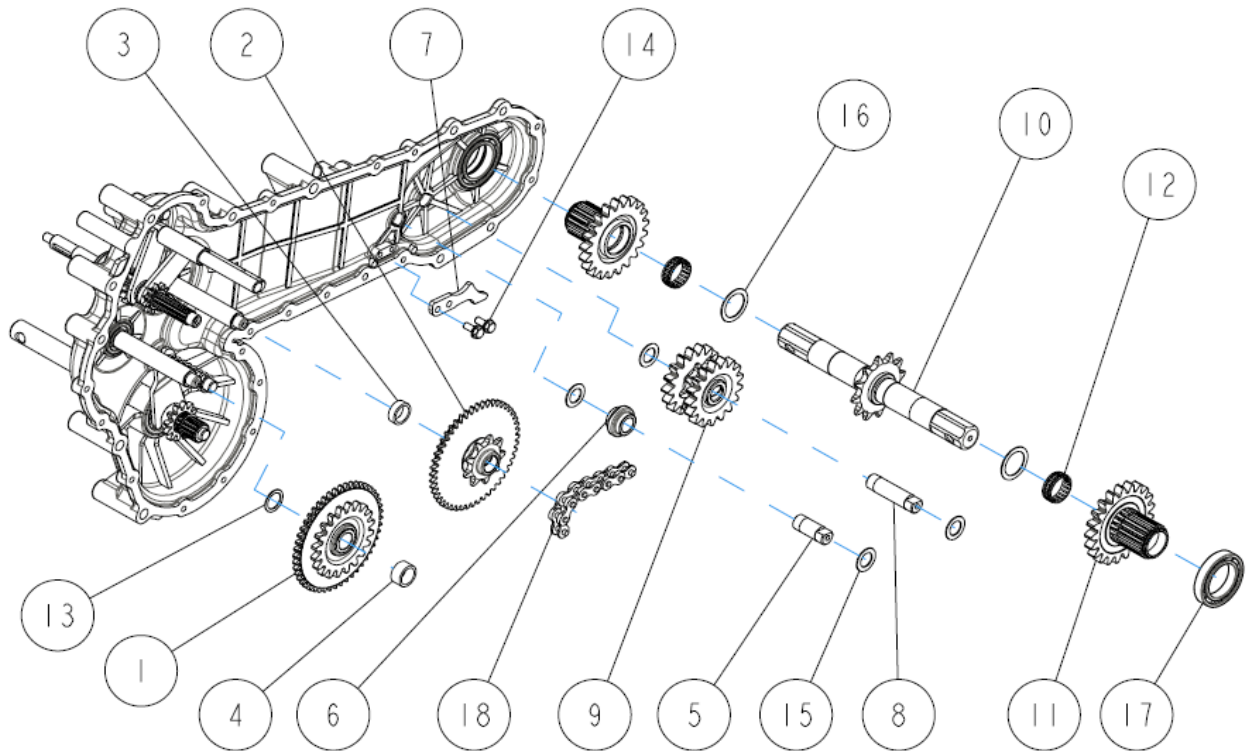
10	89-2511-000300	Snap Ring (S30)	2	
9	89-1543-080002	Mini Hexagonal Nut (SW) M8	2	
8	89-1253-080352	Flange Mini Hexagonal Bolt (8T) M8*35	2	
7	89-1113-060282	Hexagonal Bolt (8T) M6*28	2	
6	83-1712-194-00	Terminal Nut M6	2	
5	83-1415-663-00	Oil Seal AP 30.47.7	2	
4	0032-50100	Tine Shaft A CMP	2	
3	0032-01100	Thrust Washer 30*44*1.0	2	
2	0032-00900	Protection Cover (R) CMP	1	
1	0032-00800	Protection Cover (L) CMP	1	
Ref.	Parts Number	Parts Name	Quantity	Remarks



10	89-5121-122207	Oil Seal UE 12.22.7	2	
9	89-1251-080123	Flange Mini Hexagonal Bolt M8*12	1	
8	83-1515-148-00	Tapping Bolt M6*22	17	
7	83-1415-348-00	Packing 8.5*16*1.3	1	
6	0032-70800	Oil Seal MUD 40.52.8	1	
5	0032-01300	Spacer for Rotary Shaft	1	
4	0031-70200	Oil Cap 26	1	
3	0031-00100	Transmission Case (L)	1	
2	0021-71700	Oil Seal MUD 20.35.10	1	
1	0016-01100	Axle Dust Cover	1	
Ref.	Parts Number	Parts Name	Quantity	Remarks

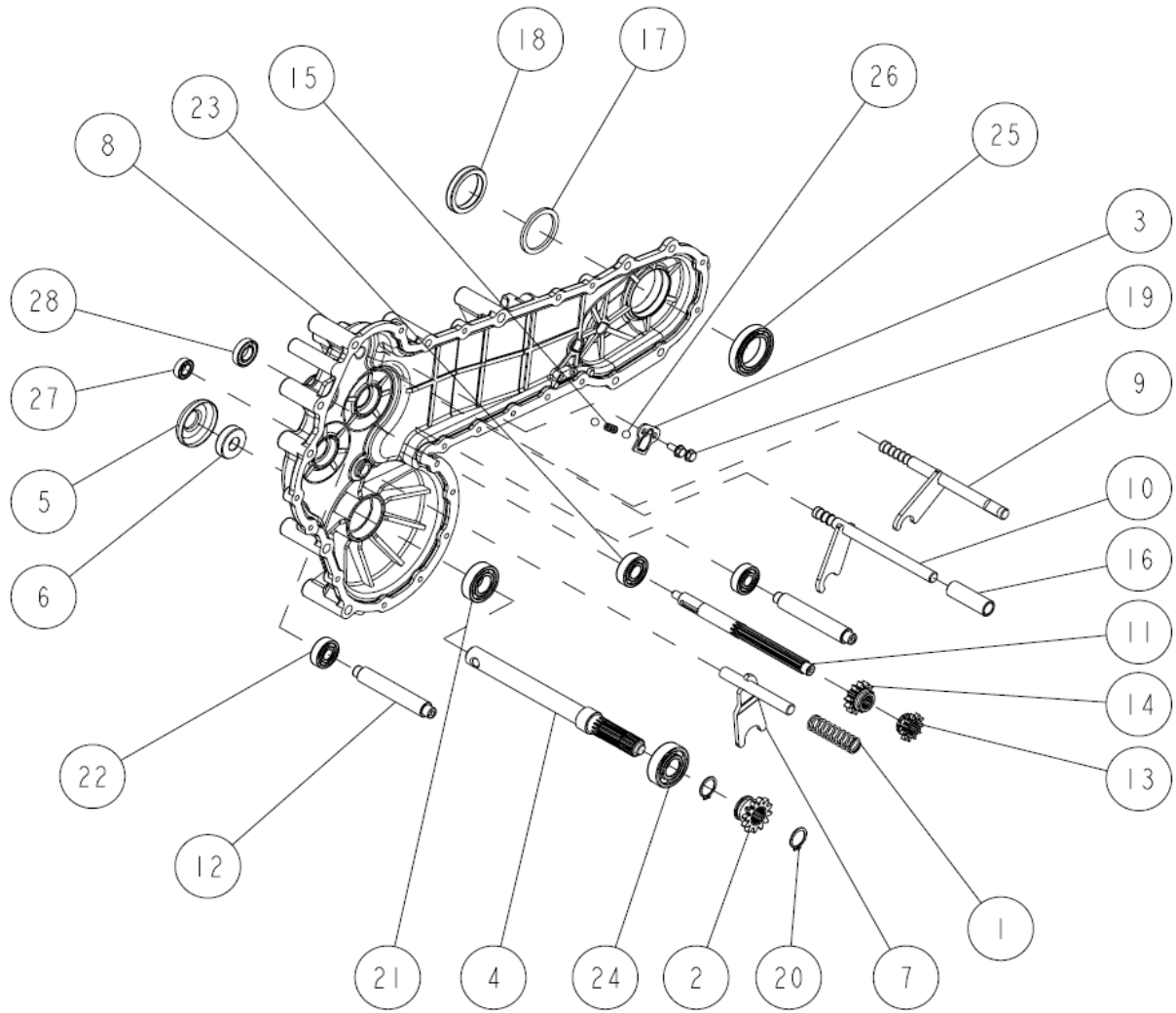


21	89-6513-420042	Chain #420-42L	1	
20	89-3111-062044	Bearing 6204	1	
19	89-3111-062014	Bearing 6201	3	
18	89-3111-060044	Bearing 6004	1	
17	89-1750-080002	Spring Washer 8	4	
16	83-1310-371-00	Thrust Washer 20*30*1.0	1	
15	83-1017-365-10	Thrust Washer 17*23*1.0	1	
14	0031-02300	Shaft Collar 7L	1	
13	0031-01600	Shaft Collar 21L	1	
12	0031-01300	Third Shaft 50-20-13T	1	
11	0031-01100	Second Shaft 9TSP-50T	1	
10	0031-00900	Second Shaft 20-50T	1	
9	0023-72300	Hexagonal Bolt(8T) M8*28(Meck)	4	
8	0017-02300	Shaft Collar B 14L	1	
7	0016-00100	Shaft (L)	1	
6	80-1260-156-00	Differential Clutch Men	1	
5	80-1260-155-10	Differential Pinion Shaft	1	
4	80-1260-154-00	Shaft Sprocket 30T	1	
3	80-1260-153-00	Pinion 10T Gear	2	
2	80-1260-152-00	Differential Gear 14T	2	
1	80-1260-151-00	Differential Lock Case	1	
Ref.	Parts Number	Parts Name	Quantity	Remarks



18	89-6513-520062	Chain #520-62L	1	
17	89-3111-069074	Bearing 6907	1	
16	83-1783-376-00	Thrust Washer 25*34*1.0	2	
15	83-1020-361-00	Thrust Washer 15*24*1.0	4	
14	83-1020-148-00	Tapping Bolt M6*14	2	
13	83-1017-365-10	Thrust Washer 17*23*1.0	1	
12	0032-70100	Bearing K25*29*10	2	
11	0032-00700	Rotary Shaft 21T	2	
10	0032-00600	Rotary Shaft CMP	1	
9	0032-00500	Fourth Shaft 17T-10TSP-17T	1	
8	0032-00400	Reverse Shaft	1	
7	0032-00300	Chain Guide	1	
6	0032-00200	Chain Roller	1	
5	0032-00100	Roller Shaft	1	
4	0031-02400	Shaft Collar 11L	1	
3	0031-02300	Shaft Collar 7L	1	
2	0031-01400	Third Shaft 9TSP-48T-20T	1	
1	0031-01200	Second Shaft 20-48T	1	
Ref.	Parts Number	Parts Name	Quantity	Remarks

TRANSMISSION



28	89-5121-153007	Oil Seal UE 15.30.7	1	
27	89-5121-122207	Oil Seal UE 12.22.7	1	
26	89-3410-080000	Steel Ball 8.0	2	
25	89-3111-069074	Bearing 6907	1	
24	89-3111-062044	Bearing 6204	1	
23	89-3111-062024	Bearing 6202	1	
22	89-3111-062014	Bearing 6201	2	
21	89-3111-060044	Bearing 6004	1	
20	89-2511-000200	Snap Ring (S20)	2	
19	83-1020-148-00	Tapping Bolt M6*14	2	
18	0032-70800	Oil Seal MUD 40.52.8	1	
17	0032-01300	Spacer for Rotary Shaft	1	
16	0031-02200	Rotary Shift Fork Shaft Collar	1	
15	0031-01700	Shift Spring	1	
14	0031-00800	Rotary Shift Gear 13T	1	
13	0031-00700	Shift Gear 11T	1	
12	0031-00600	Middle Shaft	2	
11	0031-00500	Main Shaft	1	
10	0031-00400	Rotary Shift Fork Shaft CMP	1	
9	0031-00300	Main Shift Fork Shaft CMP	1	
8	0031-00200	Transmission Case (R)	1	
7	0023-10900	Differential Lock Folk Shaft	1	
6	0021-71700	Oil Seal MUD 20.35.10	1	
5	0016-01100	Axle Dust Cover	1	
4	0016-00200	Shaft (R)	1	
3	80-1260-161-00	Shift Spring Holder	1	
2	80-1260-148-00	Differential Clutch On	1	
1	80-1260-117-00	Spring	1	
Ref.	Parts Number	Parts Name	Quantity	Remarks