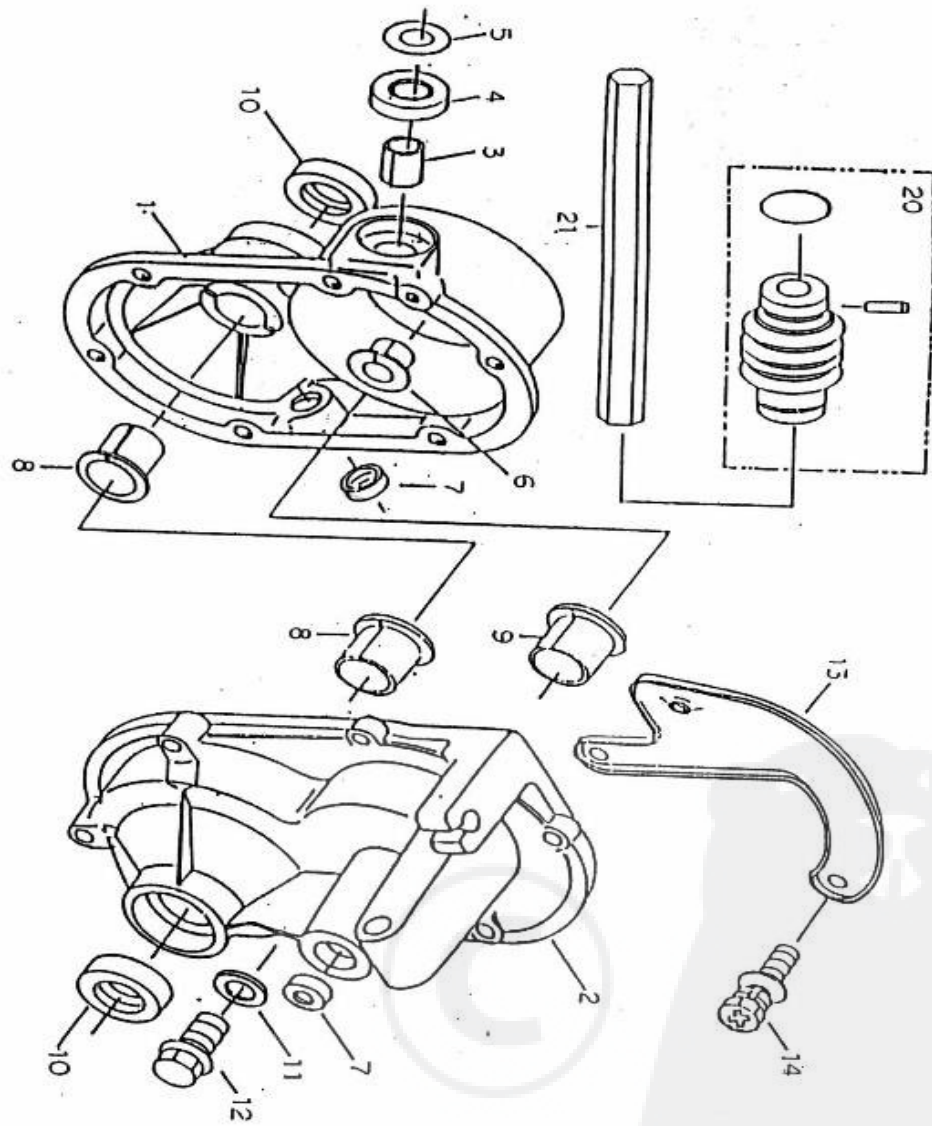


GR 480 / GR 530

GR480/GR530
Fig.1 Gear Case

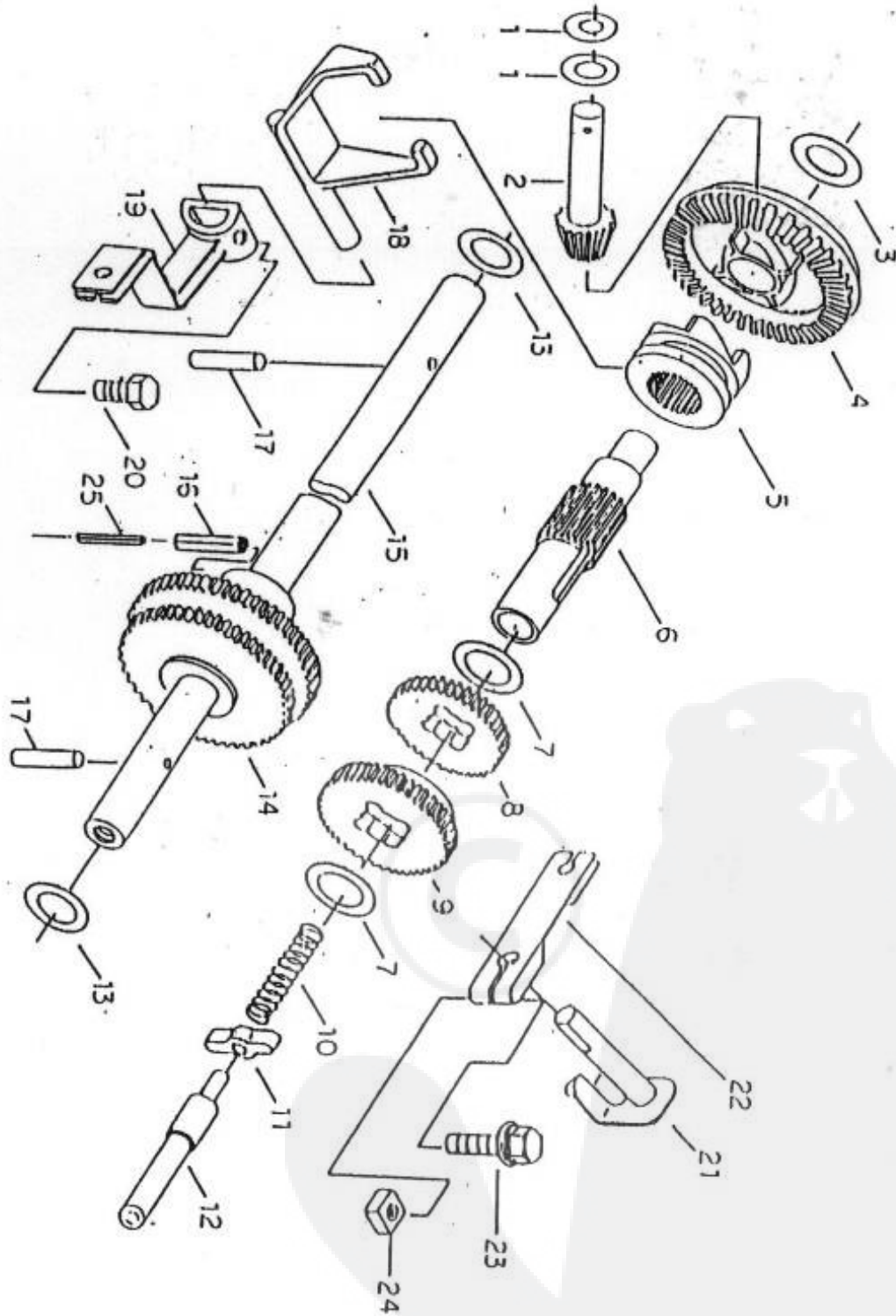


Ref.	Parts No.	Parts Name	Quantity						Remarks
			GR480			GR530			
			P	A	B	BS	A	B	
	80-1020-100-00	Gear Case Assy	1	1	1	1	1	1	
1	80-1020-101-00	Gear Case (Inside)	1	1	1	1	1	1	
2	80-1020-103-00	Gear Case (Outside)	1	1	1	1	1	1	
3	89-3512-010150	Metal DBB1015	1	1	1	1	1	1	
4	89-5121-102007	Oil Seal UE 10207	1	1	1	1	1	1	
5	83-1210-352-00	Washer 10tl	1	1	1	1	1	1	

6	89-3511-012100	Metal MB1210-20FDU	1	1	1	1	1	1	
7	89-5131-081404	Oil Seal KE8144	2	2	2	2	2	2	
8	89-3511-015150	Metal MB1515-23FDU	2	2	2	2	2	2	
9	89-3511-016150	Metal MB1615-24FDU	1	1	1	1	1	1	
10	89-5121-152507	Oil Seal UE 15257	2	2	2	2	2	2	
11	89-5230-100000	Seal Washer SW-10	1	1	1	1	1	1	
12	89-1254-100143	Flange Bolt M10*1.25*14	1	1	1	1	1	1	
13	80-1020-198-10	Lock Arm Bracket B	1	1	1	1	1	1	
14	89-1144-060253	Bolt & PW SW Assy M6*25	6	6	6	6	6	6	
20	80-1020-515-00	Universal Joint NC-10-37C1	2	2	2	2	2	2	
21	80-1020-522-10	Drive Shaft K 97L	1	1	1	1	1	1	FC150V
	80-1020-525-00	Drive Shaft H 119L	1	1	1	1	1	1	GXV120
	80-1020-526-00	Drive Shaft H 133L	1	1	1	1	1	1	GXV160



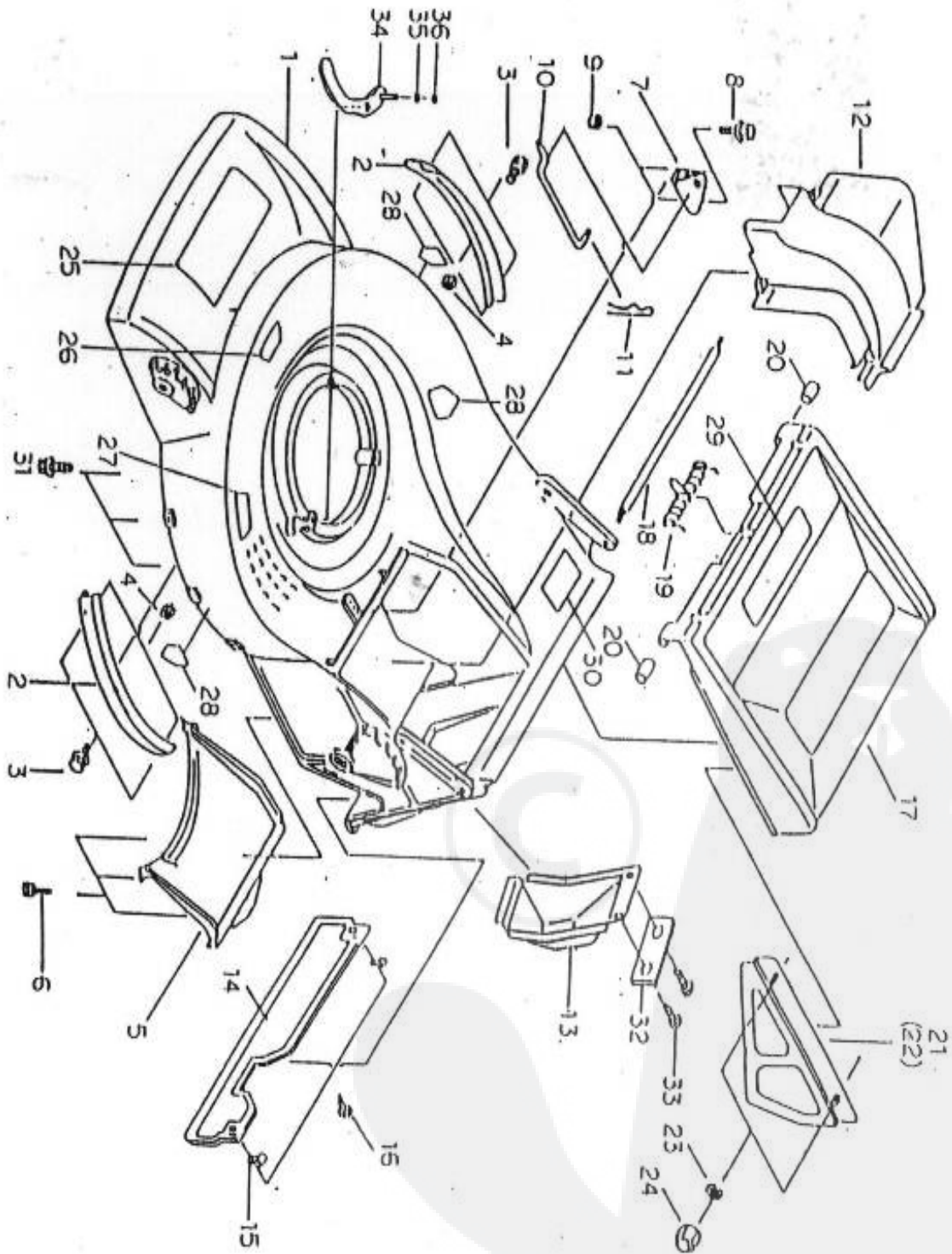
GR480/GR530
 Fig.2 Gear Case (Inside,Outside)



Ref.	Parts No.	Parts Name	Quantity		Remarks
			GR480	GR530	

			P	A	B	BS	A	B	BS
1	83-1020-351-00	Thrust Washer 10		2	2	2	2	2	2
2,4	80-1020-115-10	Pinion Bevel & Bevel Gear Assy		1	1	1	1	1	1
2	80-1020-116-10	Pinion Bevel		1	1	1	1	1	1
3	83-1020-355-00	Thrust Washer 12		1	1	1	1	1	1
4	80-1020-117-10	Bevel Gear 53-tooth		1	1	1	1	1	1
5	80-1020-119-10	Clutch for Driving		1	1	1	1	1	1
6	80-1020-118-20	Main Shaft		1	1	1	1	1	1
7	83-1020-363-00	Thrust Washer 16		2	2	2	2	2	2
8,9	80-1020-125-10	Gear Assy (Low and High)		1	1	1	1	1	1
8	80-1020-123-10	Gear (Low)		1	1	1	1	1	1
9	80-1020-121-10	Gear (High)		1	1	1	1	1	1
10	80-1020-161-00	Shaft Spring		1	1	1	1	1	1
11	80-1020-108-00	Change Guide		1	1	1	1	1	1
12	80-1020-107-00	Change Rod		1	1	1	1	1	1
13	83-1020-361-00	Thrust Washer 15		2	2	2	2	2	2
14	80-1020-148-30	Axle Gear		1	1	1	1	1	1
15	80-1020-146-00	Axle		1	1	1	1	1	1
	80-1010-146-00	Axle (Push)	1						
16	89-2111-050025	Spring Pin 5*25		1	1	1	1	1	1
17	89-2142-050250	Pin 5*25		2	2	2	2	2	2
18	80-1020-113-00	Clutch Fork		1	1	1	1	1	1
19	80-1020-153-10	Clutch Arm		1	1	1	1	1	1
20	89-1113-060123	Bolt 8T M6*12		1	1	1	1	1	1
21	80-1020-106-00	Shaft Arm		1	1	1	1	1	1
22	80-1020-193-10	Change Arm		1	1	1	1	1	1
23	89-1144-060253	Bolt & PW SW Assy M6*25		1	1	1	1	1	1
24	83-1020-198-00	Square Nut M6		1	1	1	1	1	1
25	89-2111-030025	Spring Pin 3*25		1	1	1	1	1	1

GR480/GR530
Fig.3 Safety Cover

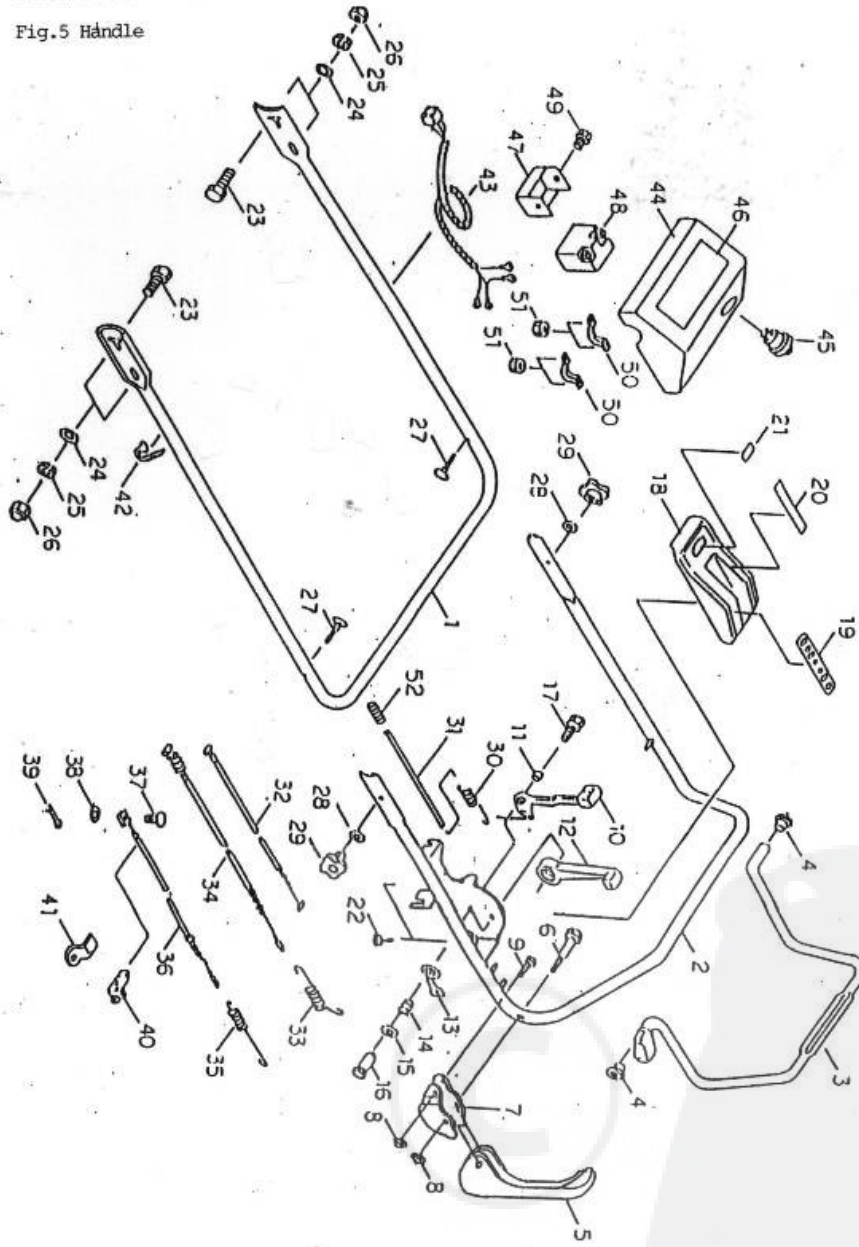


	00									
15	80-1020-793-10	Flapper Setting	2	2	2	2	2	2	2	
16	89-1133-060163	Bolt & PW SW Assy M6*16	2	2	2	2	2	2	2	
17	80-1020-751-00	Rear Cover	1	1	1	1	1	1	1	
18	80-1020-207-10	Rear Cover Shaft	1	1	1	1	1	1	1	
19	80-1020-753-00	Rear Shaft Spring	1	1	1	1	1	1	1	
20	80-1020-202-00	Rear Shaft Spacer					2	2	2	
21	80-1020-755-10	Side Plate (Left)	1	1	1	1	1	1	1	
22	80-1020-754-10	Side Plate (Right)	1	1	1	1	1	1	1	
23	89-1750-060003	Spring Washer 6	4	4	4	4	4	4	4	
24	89-1571-060043	Cap Nut M6	4	4	4	4	4	4	4	
25	80-1020-902-00	Label (Large)	1	1	1	1	1	1	1	
26	80-1020-928-00	Notice Label (Small)					1	1	1	
27	80-1020-907-00	Step Label	1	1	1	1	1	1	1	
28	80-1020-926-00	Danger Label	2	2	2	2				
	80-1020-927-00	Danger Label					3	3	3	
29	80-1020-929-00	Notice Label	1	1	1	1	1	1	1	
30	80-1010-931-00	Number Label 480	1	1	1	1				
	80-1020-931-00	Number Label 530					1	1	1	
31	89-1133-100503	Bolt & PW SW Assy M10*50 (K)	3	3	3	3	3	2	2	FC150V
	89-1133-100553	Bolt & PW SW Assy M10*55 (H)						1	1	FC150V
	83-1020-116-	Bolt 5/16-24*45UNF (H)	2	2	2		2	2	2	GXV120/GXV1

6	80-1010-426-10	Grip	2	2	2	2	2	2	2
7	80-1020-406-10	Arm Bolt	2	2	2	2	2	2	2
8	83-1020-395-00	Washer 8*12 t0.8	4	4	4	4	4	4	4
9	89-1551-080003	U-Nut M8	2	2	2	2	2	2	2
10	83-1020-312-00	Washer 8*30 t3.2	2	2	2	2	2	2	2
11	89-1132-080203	Bolt & SW Assy M8*20	2	2	2	2	2	2	2
12	80-1020-441-00	Wheel Cap	2	2	2	2	2	2	2
13	83-1020-359-00	Spring Washer	2	2	2	2	2	2	2
21-23	80-1020-422-00	Rear Wheel Assy		2	2	2	2	2	2
21-22	80-1020-421-00	Rear Wheel Assy	2						
21	80-1020-408-00	Rear Wheel		2	2	2	2	2	2
22	83-1020-987-00	Bearing ND-0.2	6	4	4	4	4	4	4
23	80-1020-409-00	Clutch Guide		2	2	2	2	2	2
24	80-1020-458-00	Ratchet Assy (Left)		1	1	1	1	1	1
25	80-1020-459-00	Ratchet Assy (Right)		1	1	1	1	1	1
26	80-1020-433-00	Coned Disc Spring		2	2	2	2	2	2
27	80-1020-414-20	Rear Wheel Arm (Left)	1	1	1	1	1	1	1
28	80-1020-415-20	Rear Wheel Arm (Right)	1	1	1	1	1	1	1
29	80-1020-425-10	Rear Wheel Arm Stopper	2	2	2	2	2	2	2
30	80-1020-426-10	Grip	2	2	2	2	2	2	2
31	80-1020-406-10	Arm Bolt	2	2	2	2	2	2	2
32	83-1020-314-00	Washer 8*40 t2.3				2	2	2	
33	89-1551-080003	U-Nut M8	2	2	2	2	2	2	2
34	83-1020-312-00	Washer 8*30 t3.2	2	2	2	2	2	2	2
35	89-1132-080203	Bolt & SW Assy M8*20	2	2	2	2	2	2	2
36	80-1020-441-00	Wheel Cap	2	2	2	2	2	2	2

GR480/GR530

Fig.5 Handle

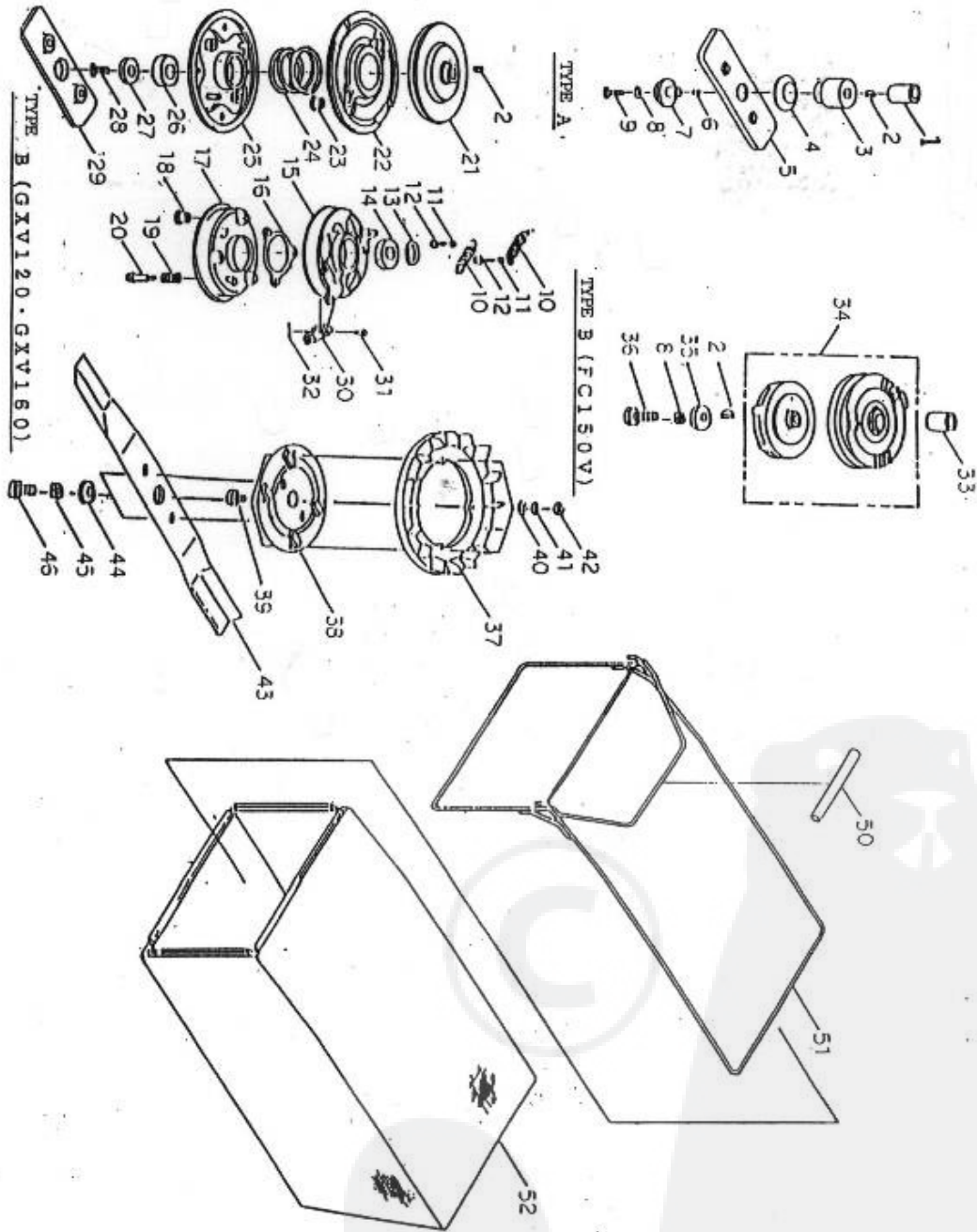


Ref.	Parts No.	Parts Name	Quantity						Remarks	
			GR480			GR530				
			P	A	B	BS	A	B		BS
1	80-1020-201-10	Lower Handle	1	1	1	1	1	1	1	
2	80-1020-222-00	Upper Handle (A)		1				1		
	80-1020-221-20	Upper Handle (B)			1	1				

20	80-1020-912-00	Change Label			1	1	1	1	1	1	
21	80-1020-903-00	Label (Small)	1	1	1	1	1	1	1	1	
22	89-1161-050123	Tapping Screw 5*12	2	2	2	2	2	2	2	2	
23	80-1020-208-00	Lower Handle Bolt						2	2	2	
	89-1113-080253	Bolt 8T M8*25	2	2	2	2					
24	89-1711-180003	Washer 8	4	4	4	4	4	4	4	4	
25	89-1750-080003	Spring Washer 8	4	4	4	4	4	4	4	4	
26	89-1571-080043	Cap Nut M8	4	4	4	4	4	4	4	4	
27	80-1020-227-00	Handle Bolt (B)	2	2	2	2	2	2	2	2	
28	89-1711-080003	Washer 8	2	2	2	2	2	2	2	2	
29	80-1020-228-10	Knob Nut M8	2	2	2	2	2	2	2	2	
30	80-1020-967-00	Change Spring			1	1	1	1	1	1	
31	83-1020-936-00	Change Wire			1	1	1	1	1	1	
32	83-1020-952-00	Throttle Wire (K)	1	1	1	1	1	1	1	1	FC150V
	83-1020-955-00	Throttle Wire (H)	1	1	1	1	1	1	1	1	GXV120/GXV160
33	80-1020-966-10	Clutch Spring			1	1	1	1	1	1	
34	83-1020-932-00	Clutch Wire			1	1	1	1	1	1	
35	80-1020-968-10	Blade Clutch Spring			1	1		1	1		
36	83-1020-945-00	Blade Wire			1	1		1	1		
37	89-2181-060162	Pin 6*16			1	1		1	1		
38	89-1711-060002	Washer 6			1	1		1	1		

39	89-2120-200152	Split Pin 2*15				1	1		1	1
40	80-1020-717-00	Blade Wire Setting							1	1
41	80-1010-717-00	Blade Wire Setting				1	1			
42	80-1210-968-00	Wire Band	2	2	2	2	2	2	2	2
43	80-1020-971-00	Wire Assembly					1			1
44	80-1020-291-00	Control Box					1			1
45	80-1020-972-00	Switch (B17590-00-00)					1			1
46	80-1020-902-00	Label					1			1
47	80-1020-292-00	Battery Holder					1			1
48	80-1020-975-00	Battery (FT4L-12B)					1			1
49	89-1133-060163	Bolt & PW SW Assy M6*16					2			2
50	80-1020-980-00	Cramp 22					2			2
51	89-1557-060003	F-Nut M6					4			4
52	80-1020-969-00	Change Return Spring	1	1		1	1	1	1	1

GR480/GR530
Fig.6 Blade/Bag



Ref.	Parts No.	Parts Name	Quantity						Remarks	
			GR480			GR530				
			P	A	B	BS	A	B		BS
1	80-1020-808-110	Blade Bracket Spacer (K) 30L	1	1			1			FC150V
	80-1020-816-	Blade Bracket Spacer (H)	1	1			1			GXV120/GXV1

	10									
39	89-1111-060223	Bolt M6*22	4	4	4	4	4	4	4	
40	89-1711-060003	Washer 6	4	4	4	4	4	4	4	
41	89-1851-060003	Belleville Spring 6	4	4	4	4	4	4	4	
42	89-1557-060003	F-Nut M6	4	4	4	4	4	4	4	
43	80-1010-821-10	Blade 480	1	1	1	1				
	80-1020-821-10	Blade 530					1	1	1	
44	89-1711-100003	Washer 10 (K)	2	2	2	2	2	2	2	FC150V
	89-1711-100003	Washer 10 (H)	2	2			2			GXV120/GXV160
45	89-1750-100003	Spring Washer 10 (K)	2	2	2	2	2	2	2	FC150V
	89-1750-100003	Spring Washer 10 (H)	2	2			2			GXV120/GXV160
46	89-1113-100253	Bolt 8T M10*25 (K)	2	2	2	2	2	2	2	FC150V
	89-1113-100253	Bolt 8T M10*25 (H)	2	2			2			GXV120/GXV160
	89-1254-100252	Flange Bolt M10*1.25*25 (H)			2	2		2	2	GXV120/GXV160
50	80-1020-854-00	Grip for Bag Frame	1	1	1	1	1	1	1	
51	80-1020-851-10	Bag Frame	1	1	1	1	1	1	1	
52	80-1020-853-10	Bag	1	1	1	1	1	1	1	