

MORRISON®

EXPORT ROTARY MOWERS

SERIES 21

Part Number
478757

Model
Pro Power Contractor SPV

Engine
Honda GXV160

Month and Year of First Manufacture - Dec 2017

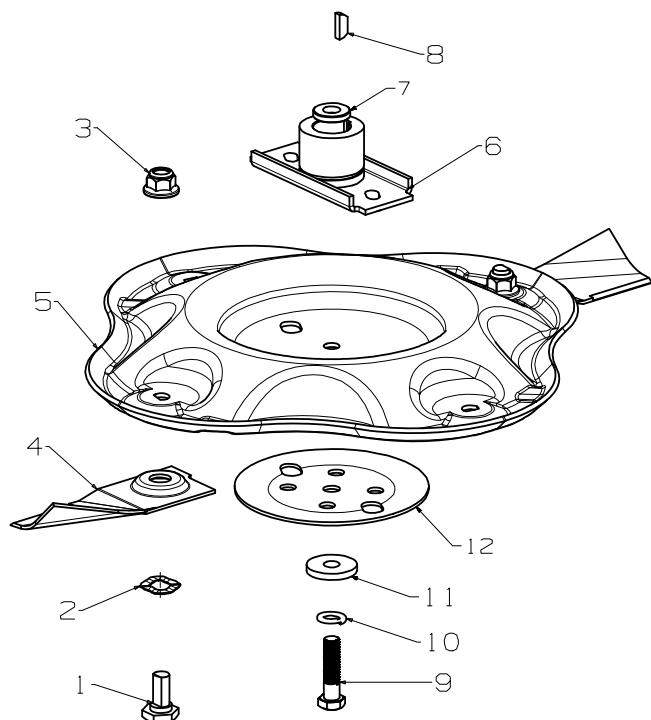
Starting Serial Number - 8228948



Issue A.1
ECN 04152
Oct 2019 PB
REF # 778757S



540mm Disc Blade Wavy



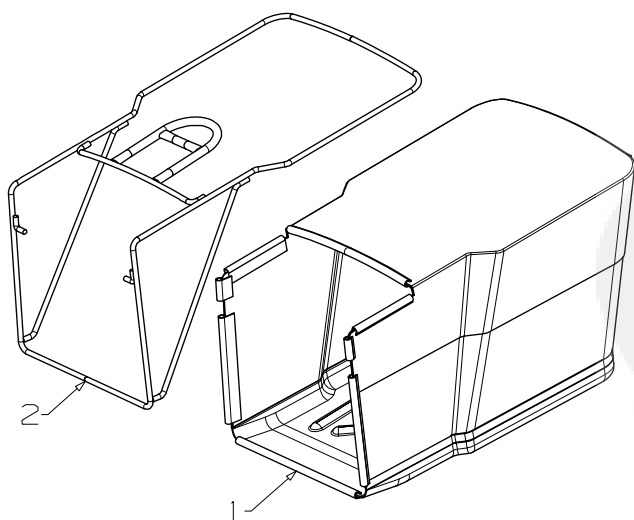
Item	Part No	Description	Qty
1	581707	Bolt- Pivot M10 x 22	2
2	580693	Washer, Wavy 13.4 x 24.2	2
3	503672	Nut, M10 Hex Nyloc Flange	2
4	579749	Blade, Quick Cut - 540mm	2
5	783314	KIT-Disc Blade Wavy (Includes items: 9, 10, 11 & 12)	1
6	014173	Driver Assy-Blade - 7/8"	1
7	573585	Spacer-Blade Driver 22 x 4	1
8	500636	Key, Woodruff - 5/8"x5/32"x1/4"	1
9	503543	Bolt; Hex NF 3/8" x 1.5 NYG8	1
10	500204	Washer, Spring 3/8"	1
11	503855	Washer, Flat 9.75 x 30 x 4.0	1
12	567332	Plate- Stiffener, Disc Blade Assy	1

Blade & Bolt Sets

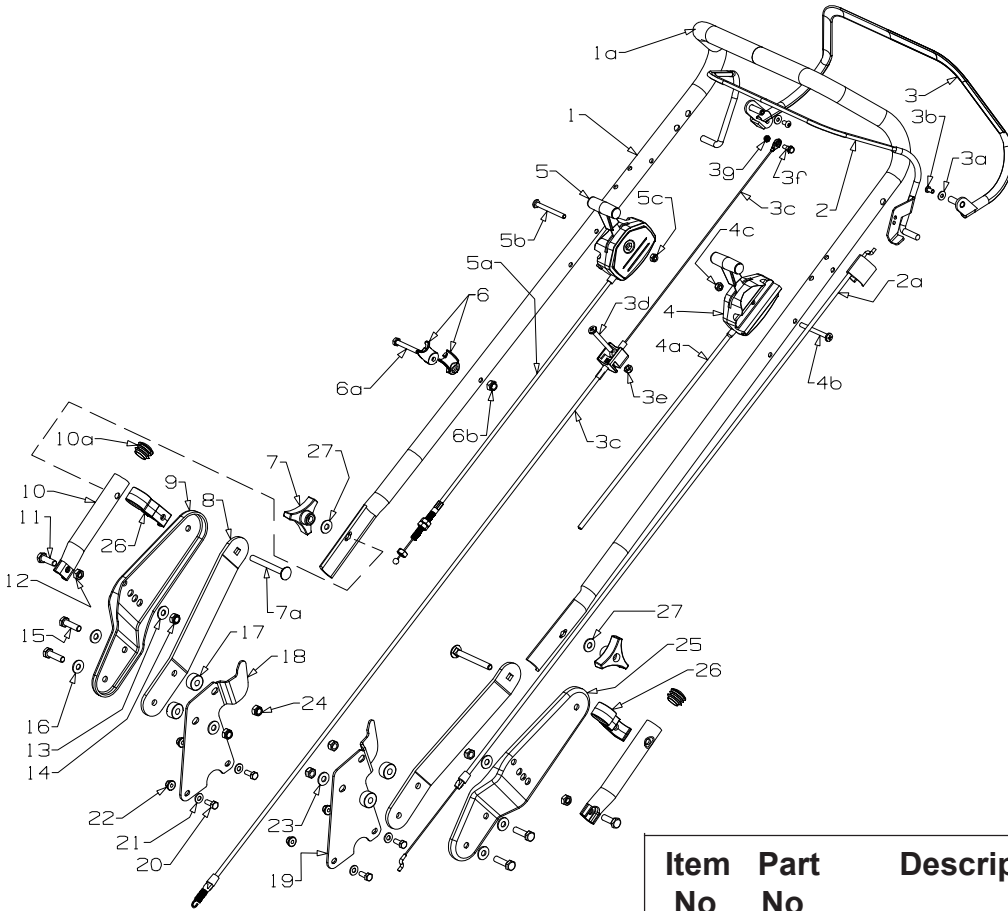
- 783690 Bolt Set (2)**
Includes Items: 1, 2, 3
- 767158 Blade-Quick Cut (2) 540mm**
Includes Items: 1, 2, 3, 4

Located in the Owner Manual Bag,
1 x 767158 Blade- Swing Back, 540(2per) Morr

774673 Bag Assy-Catch Cont Fab 21" Plain (Includes items 1 & 2)

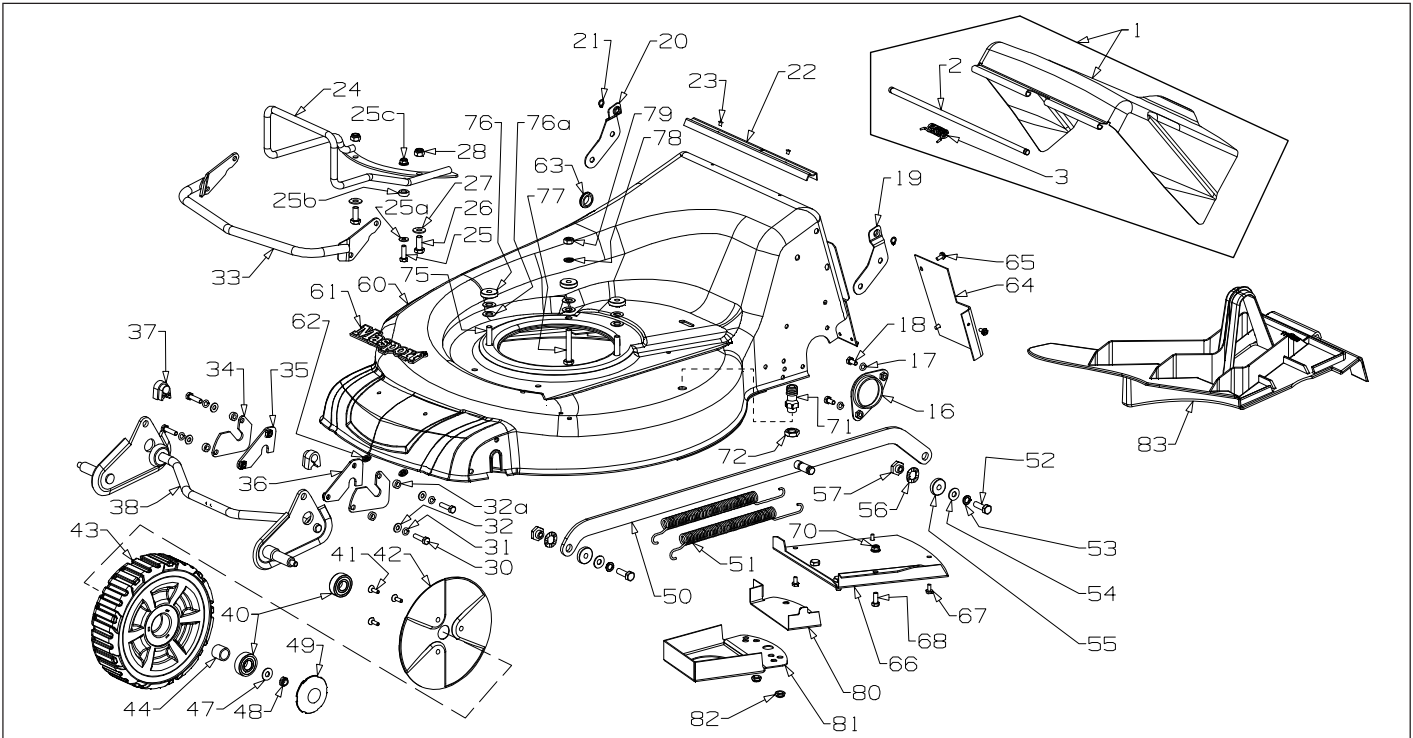


Item	Part No	Description	Qty
1	574673	Bag Assy- Contractor, Plain	1
2	564312	Frame Assy- Contractor	1

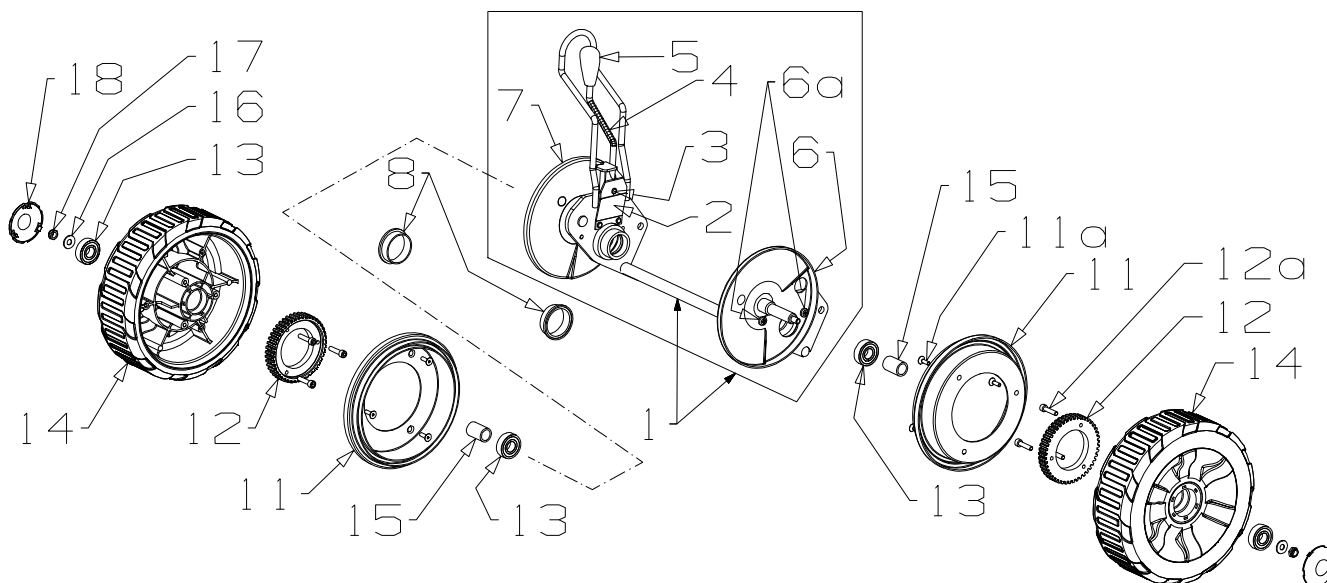


Item No	Part No	Description	Qty	Item No	Part No	Description	Qty
				7	574230	Knob- Plastic, M8 Insert	2
				7a	502177	Bolt, Carriage M8 x 75	2
				8	574128	Brace- Handle Bkt Adj, Con	2
				9	964082	Bracket- Handle Adjustable, RH	1
				10	974129	Handle- Lower, Stub S21 Stl Blk	2
				10a	572270	Plug- 25.4mm Black Plastic	2
				11	501598	Screw, Set M8 x 25	2
				12	501602	Nut, M8 Hex	2
				13	501606	Washer, Flat 8 x 19 x 1.6	2
				14	501793	Nut, M8 Hex Nyloc 8mm thick	2
				15	501685	Screw, Set M8 x 30 Hex	4
				16	501606	Washer, Flat 8 x 19 x 1.6	4
				17	574134	Spacer- Pulley, 8.5 x 19 x 4	4
				18	574140	Bracket- Catcher Mount, RH	1
				19	574139	Bracket- Catcher Mount, LH	1
				20	501702	Screw, Set M6 x 16 Hex	4
				21	501703	Washer, Flat 6 x 14 x 1.2	4
				22	503973	Nut, M6 Hex Nyloc Flanged	4
				23	501606	Washer, Flat 8 x 19 x 1.6	2
				24	501793	Nut, M8 Hex Nyloc 8mm thick	4
				25	964083	Bracket- Handle Adjustable, LH	1
				26	572447	Retainer- Control Cable, Contr	2
				27	501606	Washer, Flat 8 x 19 x 1.6	2
1/1a	764088	Handle & Sleeve Cont SFTBLK	1				
2	974365	Bail Arm Assy, OPC Con Red	1				
2a	579421	Cable- Engine OPC (Push On)H	1				
3	764336	Bail Arm Assy, SP RH Con Red	1				
3a	500848	*Washer, Flat 3/16 x 0.5 x .039	2				
3b	502115	*Screw, Set M5 x 10 Btn/Hd	2				
3c	564339	Cable-Clutch,ThumbWheel G/Box	1				
3d	502181	Screw, Pan M6 x 50	1				
3e	501764	Nut, M6 Hex Nyloc x 6mm thick	1				
3f	502237	Bolt, Hex M5 F/Head,Shouldered	1				
3g	502238	Nut, M5 Hex Nyloc x 5mm thick	1				
4/4a	583460	Throttle Cntrl,VE CH"T" Assy	1				
4b	502198	*Screw, Pan M6 x 60	1				
4c	501764	*Nut, M6 Hex Nyloc x 6mm thick	1				
5/5a	765392	Cable- SPV Con/Adj & Ctrl Assy	1				
		(This mower after S/N 8228980 introduced spares item 765392)					
5	574272	*Control- Speed x 3 SP Upt Hndl	1				
5b	502198	*Screw, Pan M6 x 60	1				
5c	501764	*Nut, M6 Hex Nyloc x 6mm thick	1				
6	782546	Comfort Start Kit	1				
6a	503558	*Screw, Set M6 x 45	1				
6b	501764	*Nut, M6 Hex Nyloc x 6mm thick	1				

When ordering spares: PLEASE QUOTE PART NUMBER & Description, NOT Illustrated Number. Item Qty = 1 per part unless stated differently.
Bold Text = Assemblies. Text starting with * = Items included in the Assemblies & may not be available as a spares item.
 Determine the left hand or right hand sides by standing in the operating position (standing at the handle).



Item	Part	Description	Qty	Item	Part	Description	Qty
1	764454	Flap Assy Steel, Contractor	1	44	564039	Spacer- Wheel O/D19 x 18L	2
2	764480	*Wire- Flap Pivot 325 x 8	1	47	501606	Washer, Flat 8 x 19 x 1.6	2
3	579213	*Spring- Flap, 19" STL	1	48	503831	Nut, M8 Hex Nyloc x 6mm thick	2
16	581178	Retainer- Axle, Rear	2	49	567637	Hub- Cap, Contractor	2
17	500201	Washer, SPG 6	4	50	574502	Rod- Connecting, 21" Cntr HC	1
18	501959	Screw, Set M6 x 12 Hex	4	51	569035	Spring- Counter Balance	2
19	579209	Bracket - Flap, LH 19"	1	52	501598	Screw, Set M8 x 25 Hex	2
20	579210	Bracket - Flap, RH 19"	1	53	503747	Washer, SPG 8	2
21	502219	Circlip, 08 Ext DIN 471	2	54	501606	Washer, Flat 8 x 19 x 1.6	2
22	579211	Seal Flap Dust	1	55	583448	Spacer	2
23	581369	Rivet Pop 4.0 x 3.2 73SS5-2	2	56	580693	Washer, Wavy 13.4x24.4x .51	2
24	974518	Guard- Bumper, Assy	1	57	574208	Nut- Pivot, Con-Rod	2
25	501600	Screw, Set M6 x 20 Hex	1	60	965006	HSG-StIT 21" XFQ SPV M/BLK	1
25a	501703	Washer, Flat 6 x 14 x 1.2	1	(Includes items 61, 62, 63, 64, 65, 71 & 72)			
25b	569334	Spacer- Wear Plate 19" x 6mm	1	61	581330	Nameplate- MORRISON	1
25c	503973	Nut, M6 Hex Nyloc Flanged	1	62	503150	Clip- Starlock, 5 dia	2
26	502106	Screw, Set M8 x 16 Hex	2	63	502179	Grommet- Clutch Cable, 20 x 16	1
27	501606	Washer, Flat 8 x 19 x 1.6	2	64	574249	Tunnel- G/Box Cover 21" Stl	1
28	501793	Nut, M8 Hex Nyloc x 8mm thick	2	65	503630	Screw, S/T 10x.4 Typ B	3
30	501963	Screw, Set M6 x 25	4	66	964018	Cover- Belt, 21" ST Syncro	1
31	500201	Washer, SPG 6	4	67	503630	Screw, S/T 10 x .4 Typ B	3
32	501703	Washer, Flat 6 x 14 x 1.2	4	68	501702	Screw, Set M6 x 16 Hex	1
32a	565269	Spacer- Axle, Contr 5 x 7 x 12	4	70	503973	Nut, M6 Hex Nyloc Flanged	1
33	974110	Guard- Bumper, Assy	1	71	503783	Cyclowash- Fitting	1
34	574120	Plate- Retainer, Axle Fr/Inner	2	72	596547	Nut; BSP 1/4" Hex	1
35	574122	Plate- Retainer, Axle Fr/RH	1	(This mower after S/N 8228947 items 71 & 72 added)			
36	574121	Plate- Retainer, Axle Fr/LH	1	75	501345	Screw, Set NF 5/16" x 1.25 Hex	2
37	580030	Bush- Pivot, Axle	2	76	583448	Spacer- Base, Eng GXV160	3
38	565265	Axle Assy- Front, Cont HC V2	1	76a	502183	Washer, Flat 10 x 19 x 1.0	6
Note, Axle Assy-Front has been replaced after S/N 8228947				77	501603	Screw, Set M8 x 50 Hex	1
To supersede to the new Axle Assy, you will require part:				78	503747	Washer, Spring M8	1
765265 Axle Assy- Front, Contr Kit 21" HC				79	501602	Nut, M8 Hex	1
This assy contains full instructions including parts 32a,37,38				80	567413	Cover- Belt, SPV Ext Syncro	1
40	567564	Bearing- Wheel, 6202-2RS	4	81	567412	Cover- Belt, SPV 21" Syncro	1
41	502267	Screw, Csk M5 x 12 Allen Head	6	82	503831	Nut, M8 Hex Nyloc x 6mm thick	2
42	574426	Cover- Inner Wheel, Front	2	83	773389	Insert- Mulching, 21" Assy	1
43	764670	Wheel Assy- 200 x 58mm	2				
(Includes 1 x 564039 & 2 x 567564 per wheel)							

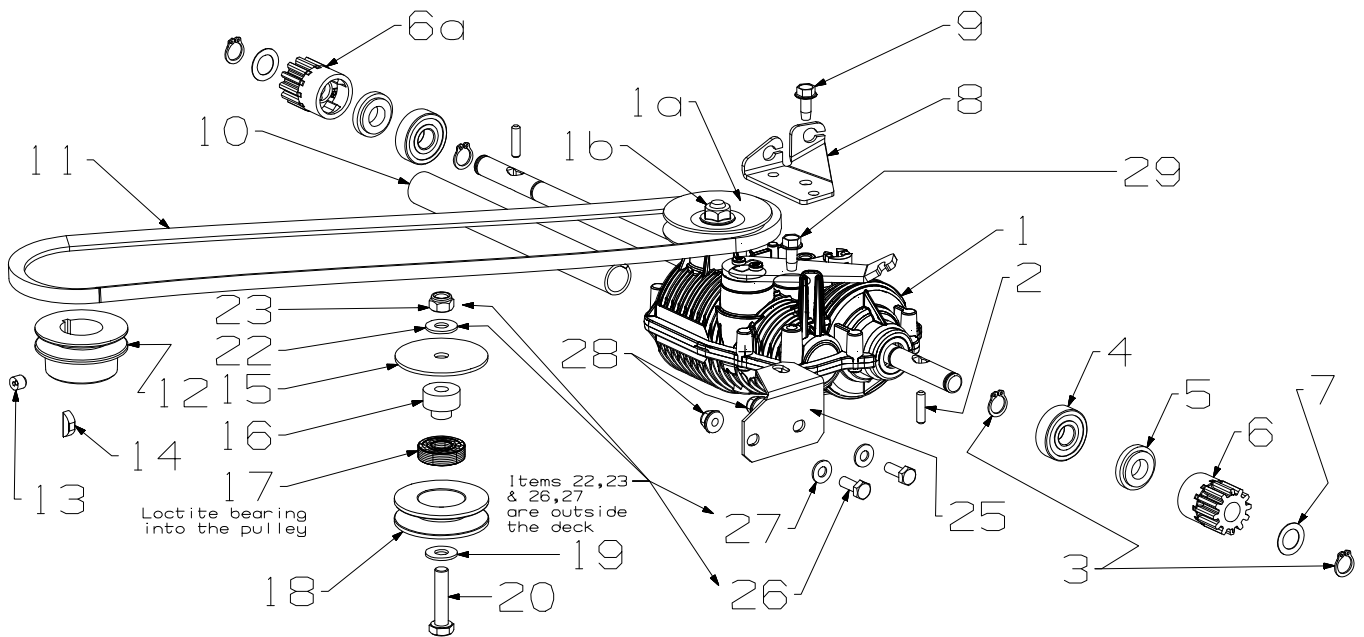


Note, Axle Assy-Rear has been replaced after Serial Number 8228947
To replace or supersede to the new Rear Axle Assy, you will require:
765272 Axle Assy- Rear SP, Contr Kit HC
This assembly contains full instructions along with item 1, 6, 6a & 7

Item	Part	Description	Qty	Item	Part	Description	Qty
1	765268	Axle Assy-Rear, SP Contr HC S2	1	11	567612	Seal- Wheel, Contr	2
2	580649	*Spring- Leaf	1	11a	502267	Screw, C/Sink M5 x 12 Allen Hd	6
3	503373	*Rivet- Flat Head 3/16" x 27/64"	3	12	571272	Gear- Driving, Cont 45 teeth	2
4	574106	*Rod- Height Select, ST Contr	1	12a	503962	Screw, Cap M6 x 25	6
5	581729	*Knob- Height Lever, Adj	1	13	567564	Bearing- Wheel, 6202-2RS	4
6	565262	Cover- Dust, LH Contr V2	1	14	767559	Wheel Assy, 235 x 75 Contr	2
6a	503591	Screw, Pan M6 x 12	4	(Includes 2 x 567564 & 1 x 567639 per wheel)			
7	565263	Cover- Dust, RH Contr V2	1	15	567639	Spacer- Wheel, Length 30mm	2
8	580091	Bush- Pivot, Rear Axle	2	16	501606	Washer, Flat 8 x 19 x 1.6	2
				17	503831	Nut, M8 Hex Nyloc x 6mm thick	2
				18	567637	Hub Cap, Contr	2

NOT ILLUSTRATED

503054	Tie- Nylon Cable, Black	4	Items as below are in the Owner's Manual Bag		
565001	Certificate of Conformity	1	574672	Instruct, Handle Knob Replace	1
567522	Decal, Noise Morr 98db	1	502274	Bolt, Carriage M8 x 55	2
569160	Owner Manual, Morrison	1	503747	Washer, SPG 8	2
571100	Decal, "Power Drive"	1	501606	Washer, Flat 8 x 19 x 1.6	3
573198	Decal, HSG "Self Propelled"	1	503526	Nut, M6 Dome	2
574074	Decal, Housing PROPOWER	1	Used on the Engine		
574267	Instruct, Sheet	1	500201	Washer, Spg 6	2
580778	Stop- Rope	1	501963	Screw, Set M6 x 25	2
582049	Decal, Flap Caution Common	1	579733	Spacer- Flap	2
582062	Decal, Height Combo	1			



Item No	Part No	Description	Qty	Item No	Part No	Description	Qty
1	774787	Gearbox- 3 Speed, MG512 PIN 21"	1	13	503386	Screw, Grub M8 x 8	1
1a	565391	**Pulley- (Half) G/Bx, GT Part # 33136	1	14	500636	Key, Woodruff 5/8 x 5/32 x 1/4	1
1b	502310	**Nut, Locking GT Part # 42811	1	15	502290	Washer, Flat 8 x 55 x 2.0	1
2	574788	*Pin-Drive, 3SP G/Box	2	16	574273	Spacer- Idler, SPV M8	1
3	503759	Circlip, 12 EXT DIN 471	4	17	503901	Bearing- Ball, 12x28x8 6001-2RSH	1
4	501213	Bearing, 12x32x10 6201 2RS	2	18	573383	Pulley- V, Idler	1
5	581093	Cap, Pinion 950 SP Plastic	2	19	501606	Washer, Flat 8 x 19 x 1.6	1
6	569178	Pinion, LH 12 Teeth	1	20	501716	Screw, Set M8 x 35 Hex	1
6a	569179	Pinion, RH 12 Teeth	1	22	501606	Washer, Flat 8 x 19 x 1.6	1
7	503102	Washer, Flat 12x20x0.4	2	23	501793	Nut, M8 Hex Nyloc 8mm thick	1
8	564249	Bracket- Cable Mount	1	25	567557	Bracket- G/Box Mount, Contr	1
9	501599	Screw; S/Tapping 1/4" x 5/8"	1	26	501702	Screw, Set M6x16 Hex	2
10	574319	Sleeve, Rear Axle 3 Speed	1	27	501703	Washer, Flat 6 x 14 x 1.2	2
11	564358	Belt-V EX-PWRV10x875GAT NOTCH	1	28	503973	Nut, M6 Nyloc Flange	2
12	574440	Pulley- Eng 1"b x 55d x 28h Red	1	29	501599	Screw; S/Tapping 1/4" x 5/8"	1

When ordering spares: PLEASE QUOTE PART NUMBER & Description, NOT Illustrated Number. Item Qty = 1 per part unless stated differently.
Bold Text = Assemblies. Text starting with * = Items included in the Assemblies & may not be available as a spares item.
 Determine the left hand or right hand sides by standing in the operating position (standing at the handle).