

# MORRISON®

## EXPORT ROTARY MOWERS

Part Number  
464779

Model  
S16 Surecut 3'n1

Engine  
B&S Series 300

Month and Year of First Manufacture - January 2016

Starting Serial Number - >8003908



Issue A.0  
ECN 03250  
March 2016 BH  
REF # 764779S

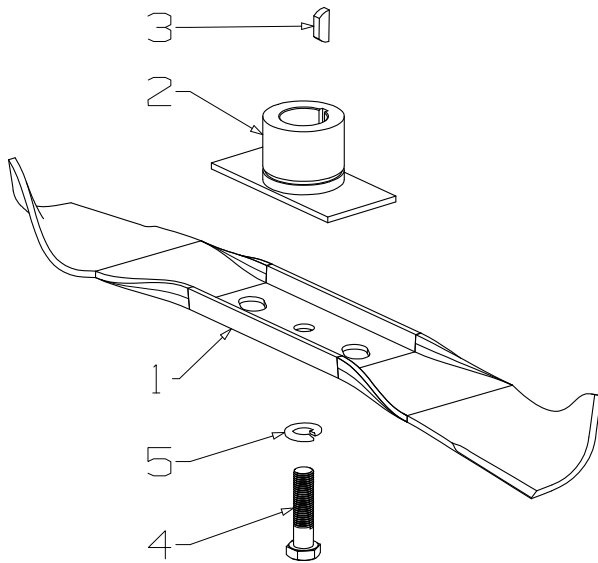


S16 Surecut 3'in1  
Powered by: B&S Series 300

# MORRISON®

Issue A.0  
ECN 03250  
March 2016 BH  
REF # 764779S

## 420mm (16") Blade Assembly

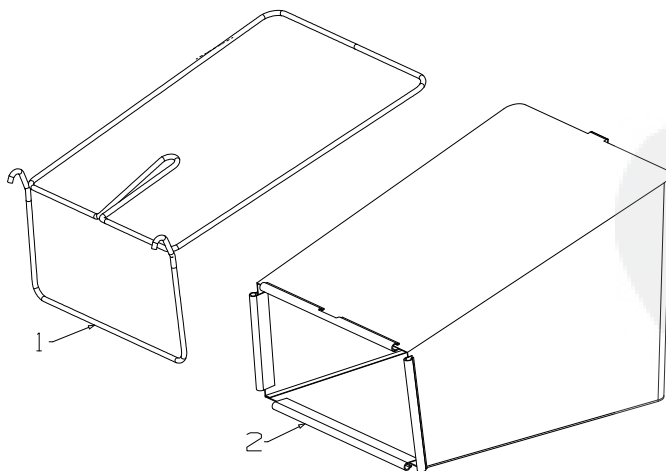


Item	Part	Description	Qty
1	<b>564514</b>	Blade-Bar,420mm	1
2	<b>911106</b>	Driver Assy-Blade, 7/8"	1
3	<b>500636</b>	Key-W/Ruff 5/8"x5/32"x1/4"	1
4	<b>503543</b>	Bolt; Hex NF 3/8"x1.5 NYG8	1
5	<b>500204</b>	Washer; Spg 3/8"	1

An alternative fastening may be used in this assembly

**4 581610** Screw, Set NF 3/8 x 1.25 NYG8 1

## 764512 Catcher Assembly 16" - Fabric



Item	Part No	Description	Qty
1	<b>564496</b>	Frame Assy- Catch, Fabric 16"	1
2	<b>564513</b>	Bag Assembly - Catcher 16"	1

When ordering PLEASE QUOTE PART NUMBER & Description, NOT Illustration No.  
Determine right or left hand side from standing in operating position (standing at handle).

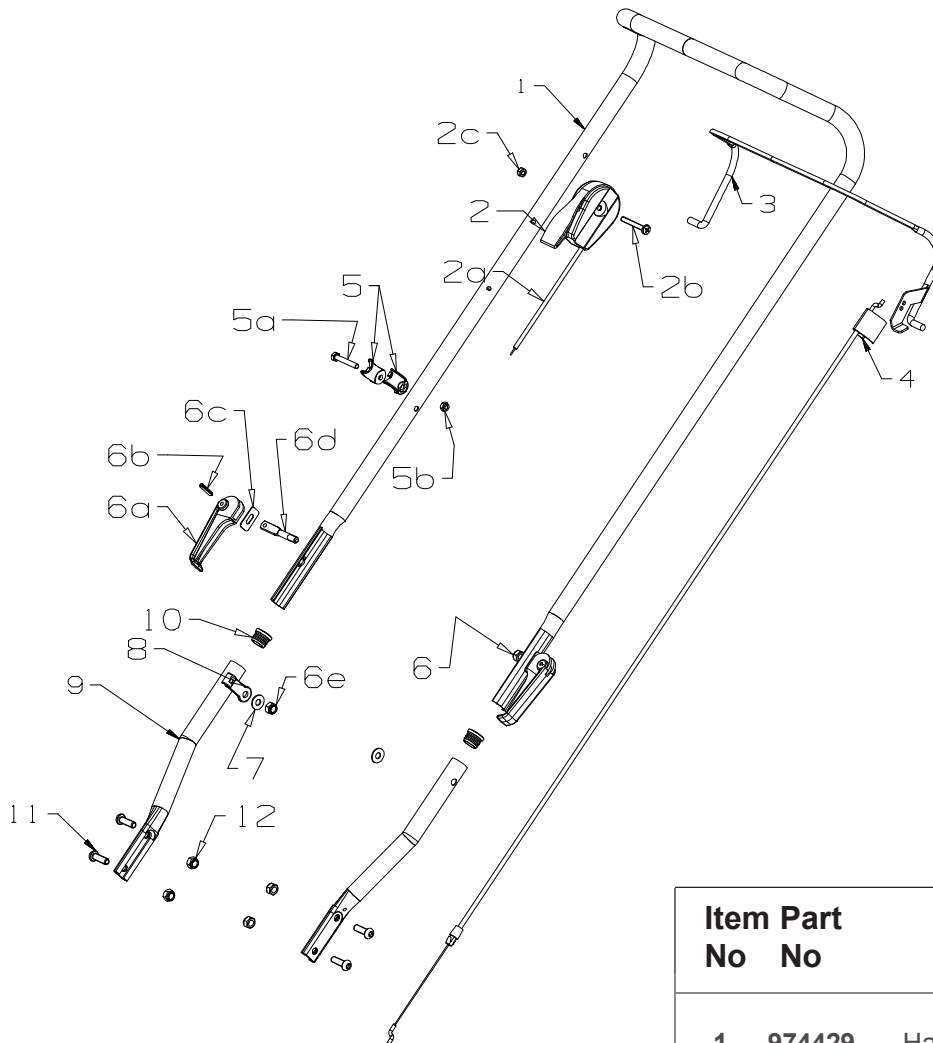
**Bold Text** = Assemblies, Bulleted Text \* = Items included in the Assemblies & may not be available as a spares item.



S16 Surecut 3'in1  
Powered by: B&S Series 300

# MORRISON

Issue A.0  
ECN 03250  
March 2016 BH  
REF # 764779S



## NOT ILLUSTRATED

<b>503054</b>	Tie- Nylon, Cable	<b>2</b>
<b>564550</b>	Instruction Sheet, Fabric Catcher	<b>1</b>
<b>569160</b>	Owners Manual Morrison	<b>1</b>
<b>564684</b>	Decal, Hsg S16 SureCut	<b>1</b>
<b>581413</b>	Decal, Handle- Power Drive	<b>1</b>
<b>582049</b>	Decal, Flap Caution	<b>1</b>

Item No	Part No	Description	Qty Req'd
1	<b>974429</b>	Handle-Upper, Upt OPC Black	1
2/2a	<b>583458</b>	<b>Control-Throttle, Wescon</b>	1
(Also Available : Handle 574398, Body 574430)			
2b	<b>503604</b>	*Screw, Pan M6 x 45 Poz	1
2c	<b>501764</b>	*Nut, M6 Hex Nyloc x 6mm thick	1
3	<b>981740</b>	Bail Arm Assy, OPC Black	1
4	<b>581658</b>	Cable- Engine OPC, Push On	1
5	<b>703856</b>	<b>Comfort Start Kit</b>	1
5a	<b>503794</b>	*Screw, Set M6 x 40	1
5b	<b>501764</b>	*Nut, M6 Hex Nyloc x 6mm thick	1
6	<b>779755</b>	<b>Cam Lock Assy MSV (1per)</b>	2
6a	<b>583041</b>	*Lever Handle Locking	1
6b	<b>503369</b>	*Pin, Tension 5.0 x 22	1
6c	<b>016777</b>	*Washer- Slipper S/S	1
6d	<b>583041</b>	*Stud- Handle Lock, 61mm	1
6e	<b>501793</b>	*Nut, M8 Hex Nyloc 8mm thick	1
7	<b>501606</b>	*Washer, Flat 8 x 19 x 1.6	2
8	<b>581527</b>	Retainer-Control Cable, Handle	1
9	<b>980692</b>	Handle-Lower, Stub Black	2
10	<b>503319</b>	Plug-22mm Black Plastic	2
11	<b>502107</b>	Screw,Set-M8 x 20 Btn/Hd	4
12	<b>501793</b>	Nut, Nyloc M8	4

When ordering PLEASE QUOTE PART NUMBER & Description, NOT Illustration No.

Determine right or left hand side from standing in operating position (standing at handle).

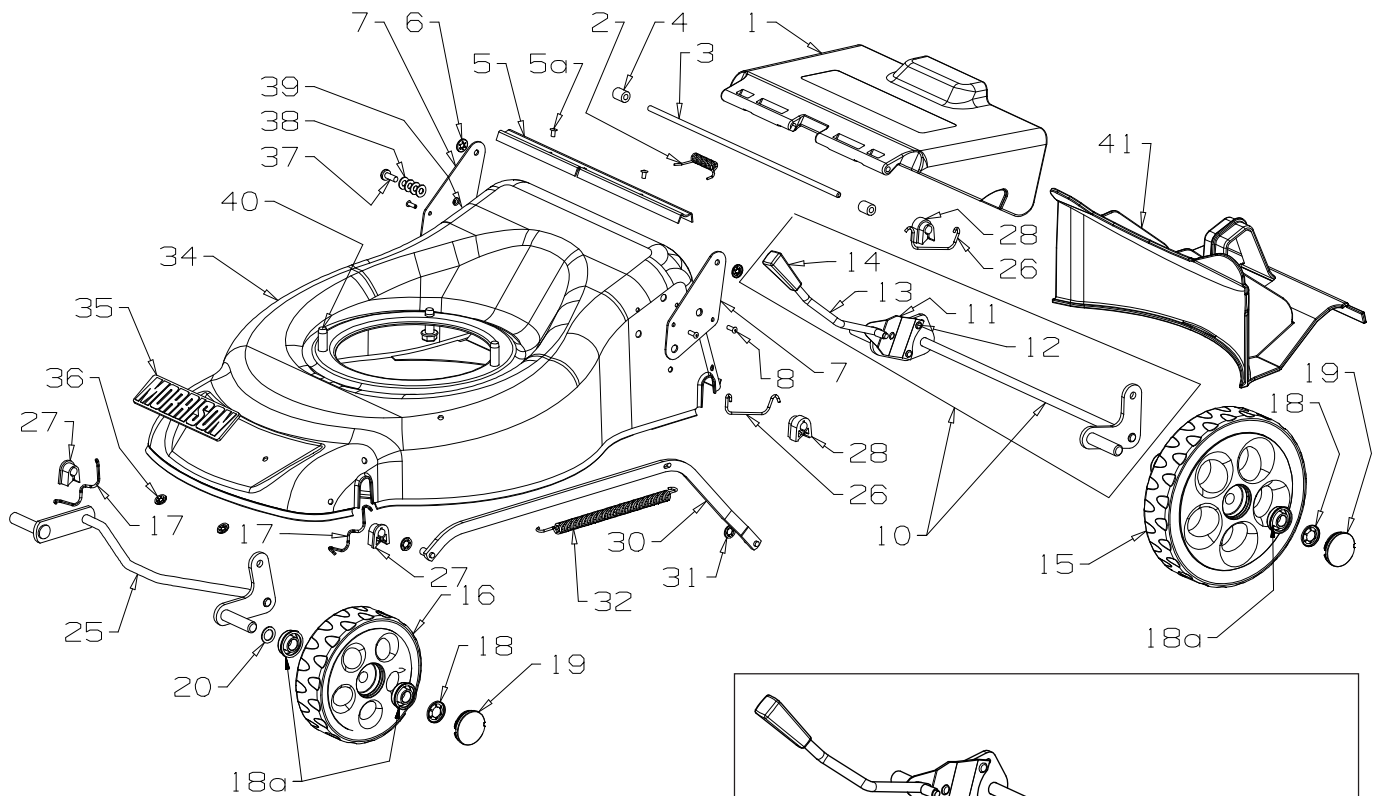
**Bold Text** = Assemblies, Bulleted Text \* = Items included in the Assemblies & may not be available as a spares item.



S16 Surecut 3'in1  
Powered by: B&S Series 300

# MORRISON®

Issue A.0  
ECN 03250  
March 2016 BH  
REF # 764779S



764668-16" Rear Axle  
Used with 200mm R/Wheels

Item No	Part No	Description	Qty Req'd	Item No	Part No	Description	Qty Req'd
1	564570	Flap- Mower, 16" F/Catcher Blk	1	19	579194	Hub Cap- Button, 5 Hole Graphite	4
2	581349	Spring-Flap, 19" STL	1	20	503301	Washer, Flat 1/2 x 3/4 x 18g	1
3	564503	Wire-Flap Pivot 335mm x 6mm	1	25	564481	Axle Assy-Front,S16 6" Whl	1
4	579733	Spacer-Flap	2	26	579292	Retainer-Axle, Rear, Stl Deck	2
5	583151	Dust Seal-Flap	1	27	564499	Bush- Pivot,Axle Front S16	2
5a	581369	Rivet-Pop 4.0 Dia x 3.2 73SS5-2	2	28	564500	Bush- Pivot,Axle Rear S16	2
6	503574	Clip-Starlock, 6 dia	2	30	564486	Rod Assy-Connecting, S16 STL	1
7	564517	Bracket- Flap S16 Fab/Catch	2	31	501365	Clip-Starlock, 5/16"	2
8	501303	Rivet-Pop 4.0 Dia x 7.9 73AS5-5	4	32	581463	Spring-Counter Balance	1
10	764668	<b>Axle Assy-Rear,S16" (8" Wheels)</b>	1	34	774325	<b>Hsg-Assy Stl 16" FS Red</b>	1
11	580649	*Spring- Leaf	1	35	581330	Nameplate - Morrison	1
12	503373	*Rivet- F/HD 3/16x27/64"	3	36	503150	Clip-Starlock, 5dia	2
13	564498	*Rod- Height Selector, 16" STL	1	37	503331	Screw, Pan M6 X 16	1
14	580056	*Knob-Height Lever,7.9dia Sq Blk	1	38	501703	Washer, Flat 6 x 14 x 1.2	4
15	579193	Wheel Assy-200, 5 Hole Graphite	2	39	501764	Nut, M6 Hex (Inside housing)	1
16	579191	Wheel Assy-150, 5 Hole Graphite	2	40	580453	Screw; S/T 3/8 x 1-1/8" UNC Tri	3
17	529674	Retainer- Axle, Front "W"	2	41	564544	Insert- Mulching, 16"	1
18	503236	Clip-Starlock,1/2"	4				
18a	579694	Bearing wheel Plastic	8				

When ordering PLEASE QUOTE PART NUMBER & Description, NOT Illustration No.

Determine right or left hand side from standing in operating position (standing at handle).

**Bold Text** = Assemblies, Bulleted Text \* = Items included in the Assemblies & may not be available as a spares item.