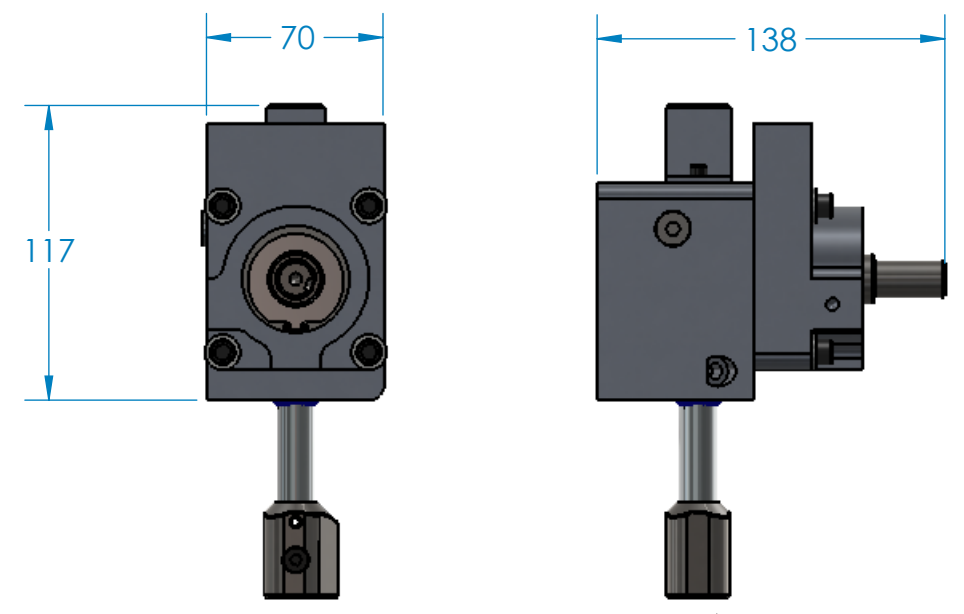


ITEM No.	PART NUMBER	DESCRIPTION	QTY
1	32-0014	REAMER BOLT M6-1.0 X 23 - BLACK	1
2	10-0224	BLADE COLLAR	1
3	39-0034	COILED SPRING PIN 5 X 24	1
4	10-0246	BLADE CONNECTING SHAFT	1
5	43-0029	SCRAPING SEAL 15 X 25 X 5	1
6	10-0271	BRONZE BUSHING ID:15 X OD:21 X15	2
7	39-0037	HEX SOCKET SCREW PLUG M10-1.0	2
8	10-0212	SHAFT HOUSING	1
9	34-0006	NUT M5-0.8 NYLON - ZN	2
10	10-0217	SHAFT PROTECTIVE CAP	1
11	32-0011	SHCS M4-0.7 X 10mm	2
12	10-0250	FRICITION PAD 50mm x 30mm x 4.5mm	1
13	32-0036	FHCS M5-0.8 X 15mm - BLACK	2
14	10-0225	CAM FOLLOWER	1
15	39-0035	DOWEL PIN 1/4" X 1"	2
16	10-0245	CAM	1
17	43-0031	BEARING 6908-2RS 40 X 62 X 12	1
18	10-0222	CRANKSHAFT	1
19	43-0030	BEARING 6004-2RS 20 X 42 X 12	1
20	10-0221	CAM HOUSING	1
21	39-0033	RETAINING RING INT. 42mm	1
22	32-0038	SHCS M6-1 X 35mm - BLACK	4
23	36-0001	FLAT WASHER M6 - ZN	4



REV	ZONE	DESCRIPTIONS	DR	CK	APP	DATE
R4	D4	ITEM 6 QUANTITY CHANGED	F.J.M.	F.M.	P.R.	15-10-26
C4		ITEM 16 DESCRIPTION CHANGED				
R4	D4	ITEM 7 QUANTITY CHANGED	F.J.M.	F.M.	P.R.	15-03-02
R3	B4	ITEM 7 ADDED	F.J.M.	C.P.	P.R.	14-12-10
R2	D4	ITEM 6 CHANGED	F.M.	F.M.	P.R.	14-02-20
C4		ITEM 9 CHANGED				

DRAWN	F. MERCURE	TITLE	<b>BLADE TRANSMISSION ASS'Y - 600MH</b>	
CHECKED	F. MERCURE	SYSTEM	600MH	
APPROVED	P. ROY	MATERIAL	PLAIN	WEIGHT 1.924kg
APP. DATE	2014-01-21	FINISH	PLAIN	1.924kg
GENERAL TOLERANCES IF NOT SPECIFIED		DIMENSIONS : METRIC	REFERENCE No.	E.C. No.
0 ± 1mm		SCALE : SHOWN	70-0035-R5	130125
0.0 ± 0.5mm		DO NOT MEASURE DIRECTLY ON DRAFT	FILE	
0.00 ± 0.25mm		FORMAT	B	
0.000 ± 0.025mm		DRAWING No.	70-0035	REV. SHEET
SURFACE ROUGHNESS 3.2µm				R5 1/1
HOLES LOCALIZATION ±0.04mm				

© 2013 Portable Winch Co. - All Rights Reserved - Tous droits réservés

