

# **ILLUSTRATED PARTS LIST**

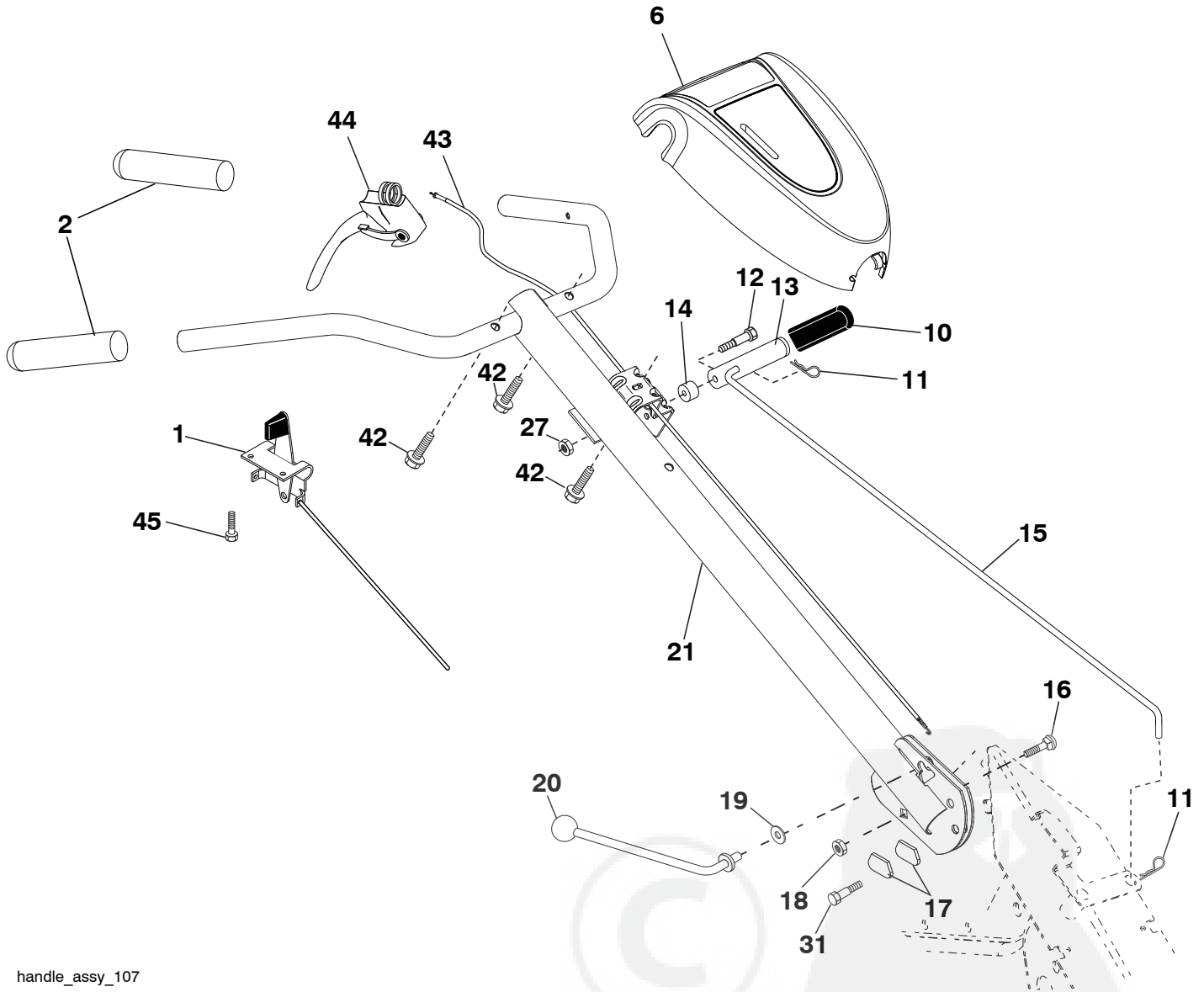
**MFG. I.D. NO. 96091001504**

**MODEL NUMBER LZ5043**

**PRODUCT NUMBER 960 91 00-15**



**LAZER REAR TINE TILLER - MODEL NO. LZ5043 (MFG. ID. NO. 96091001504)  
HANDLE ASSEMBLY**



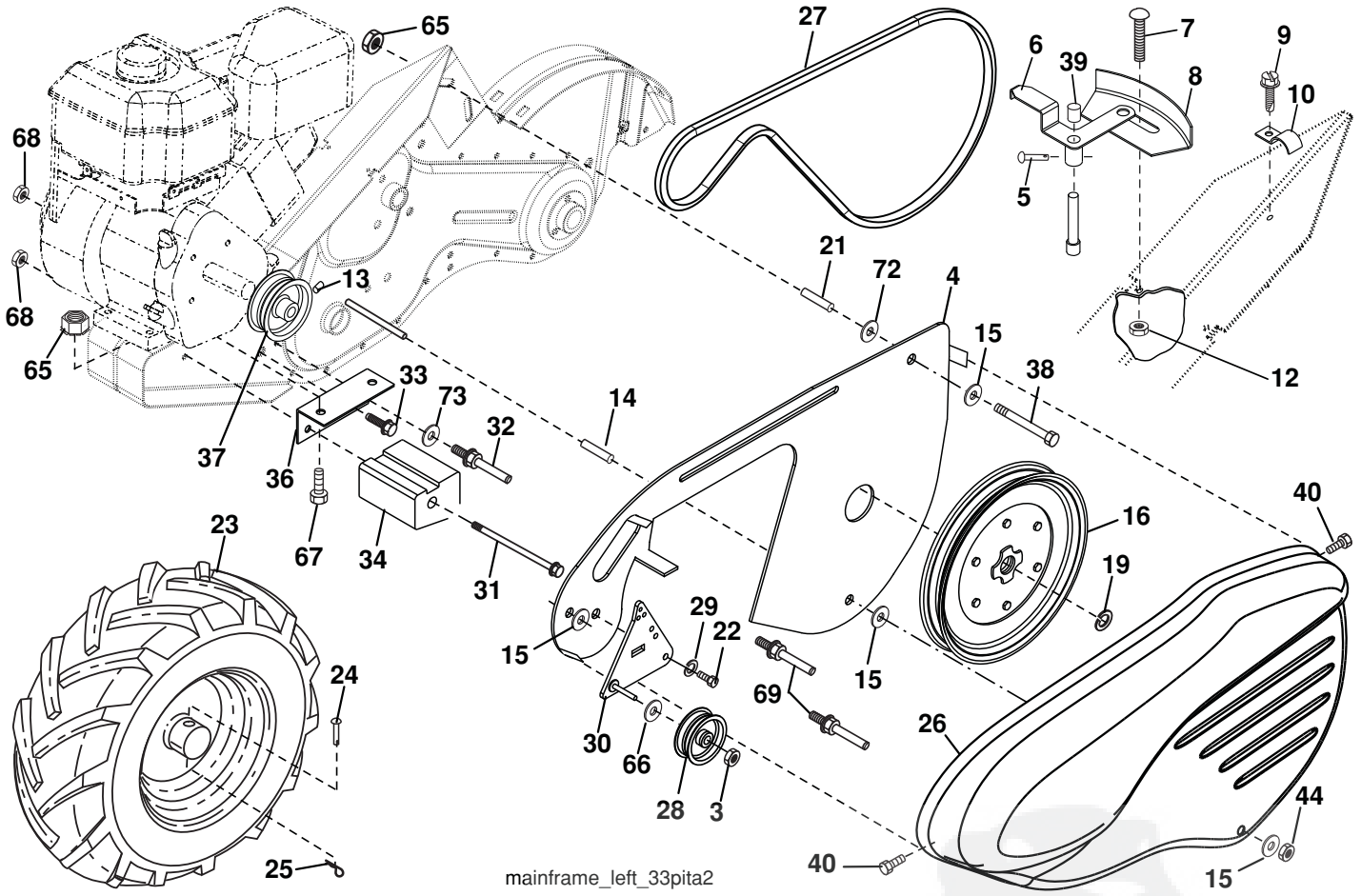
handle\_assy\_107

KEY NO.	PART NO.	DESCRIPTION
1	532 18 94-82	Control, Throttle
2	532 42 76-43	Grip, Handle
6	532 44 76-53	Panel, Control
10	532 00 82-06	Grip, Handle
11	532 12 47-88	Clip, Hairpin
12	532 08 13-28	Bolt, Shoulder
13	581 85 12-01	Handle, Shift
14	532 10 93-13	Grommet, Rubber
15	532 13 84-00	Rod, Shift
16	872 11 06-08	Bolt, Carriage, Grade 5, 3/8-16 x 1
17	532 10 92-29	Lock, Handle
18	873 68 06-00	Nut, Crownlock, 3/8-16 UNC

KEY NO.	PART NO.	DESCRIPTION
19	819 13 16-11	Washer, 13/32 x 1 x 11 Gauge
20	532 10 92-28	Lever, Lock, Handle
21	581 96 94-01	Handle
27	873 90 04-00	Nut, Hex, Flanged, 1/4-20 UNC
31	532 15 06-96	Bolt, Pivot
42	532 41 63-58	Screw, #10 x 3/4
43	532 43 87-95	Cable, Handle, Tine Control
44	532 43 87-82	Control, Handle, Two Function
45	532 42 17-56	Screw, #10 x 1/2

**NOTE:** All component dimensions given in U.S. inches.  
1 inch = 25.4 mm

**LAZER REAR TINE TILLER - MODEL NO. LZ5043 (MFG. ID. NO. 96091001504)**  
**MAINFRAME, LEFT SIDE**

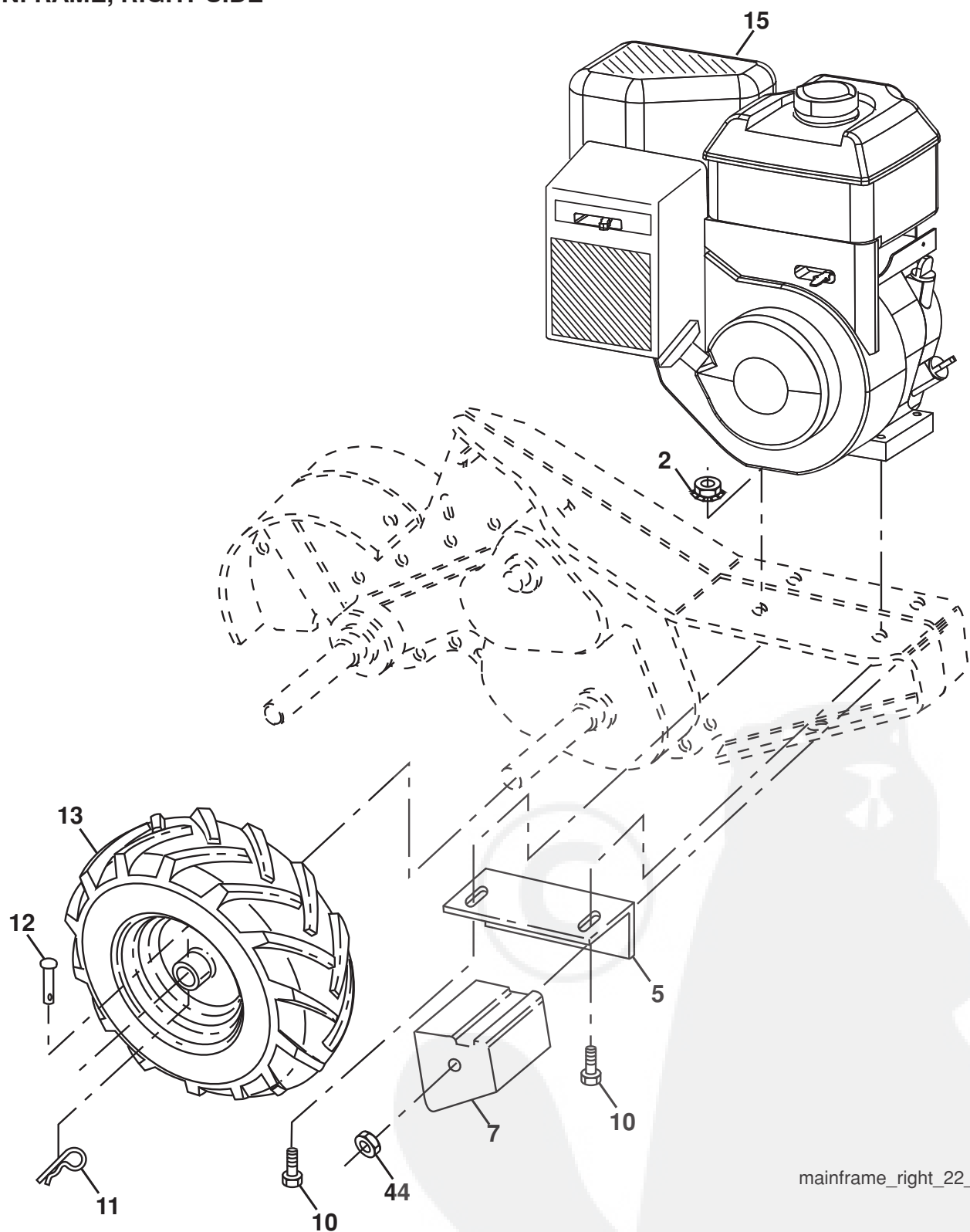


mainframe\_left\_33pita2

KEY NO.	PART NO.	DESCRIPTION	KEY NO.	PART NO.	DESCRIPTION
3	873 93 06-00	Nut, Centerlock, 3/8-16 UNC	29	812 00 00-32	Ring, Klip
4	583 87 77-01	Shield, Guard, Belt	30	584 28 92-01	Bracket, Idler
5	532 16 43-29	Pin	31	532 10 23-84	Bolt, Hex Head, 5/16-16 x 12
6	532 11 01-11	Lever, Shift	32	532 10 21-41	Shaft, Idler Arm
7	872 11 04-04	Bolt, Carriage, Grade 5, 1/4-20 x 1/2	33	874 76 06-16	Bolt, Hex Head, 3/8-16 x 1
8	581 84 50-01	Plate, Shift Indicator	34	532 10 23-83	Counterweight, L.H.
9	532 08 67-77	Screw, Hex Washer Head, Slotted, #10-24 x 1/2	36	581 86 48-01	Bracket, Reinforcement, L.H.
10	532 44 60-45	Clip	37	532 13 08-12	Sheave, Engine
12	873 51 04-00	Nut, Hex, Keps, 1/4-20 UNC	38	874 76 05-44	Bolt, Hex Head, 5/16-18 x 2-3/4
13	823 23 05-06	Screw, Set, Hex, 5/16-18 x 3/8	39	532 14 00-62	Cap, Plunger
14	532 15 61-17	Spacer, Split, 0.327 x 0.42 x 1.220	40	532 17 04-88	Screw, Hex Washer Head, Slotted, #10-24 x .50
15	819 11 11-16	Washer, 11/32 x 11/16 x 16 Gauge	44	873 80 05-00	Locknut, Hex, 5/16-18 UNC
16	532 14 51-02	Sheave, Transmission	65	873 97 05-00	Locknut, Hex, Flanged
19	812 00 00-28	Ring, Retainer	66	<b>819 13 13-16</b>	Washer, Flat
21	532 13 16-91	Spacer, Split, 0.327 x 0.42 x 2.09	67	874 76 05-24	Bolt, Hex Head, 5/16-18 UNC x 1-3/4
22	874 77 05-08	Bolt, Hex Head, 5/16-24 x 1/2	68	873 51 06-00	Nut, Hex, Keps, 3/8-16 UNC
23	581 96 08-01	Wheel & Tire Assembly	69	532 16 41-73	Keeper, Belt, Engine
24	532 12 68-75	Rivet, Drilled	72	532 05 92-89	Washer, .328 x 1
25	532 12 47-88	Clip, Hairpin	73	<b>819 13 13-12</b>	Washer, 13/32 x 13/16 x 12 Gauge
26	532 44 28-54	Guard, Belt			
27	532 13 28-01	Belt, V			
28	532 10 46-79	Pulley, Idler			

**NOTE:** All component dimensions given in U.S. inches.  
 1 inch = 25.4 mm

**LAZER REAR TINE TILLER - MODEL NO. LZ5043 (MFG. ID. NO. 96091001504)**  
**MAINFRAME, RIGHT SIDE**



mainframe\_right\_22\_r1

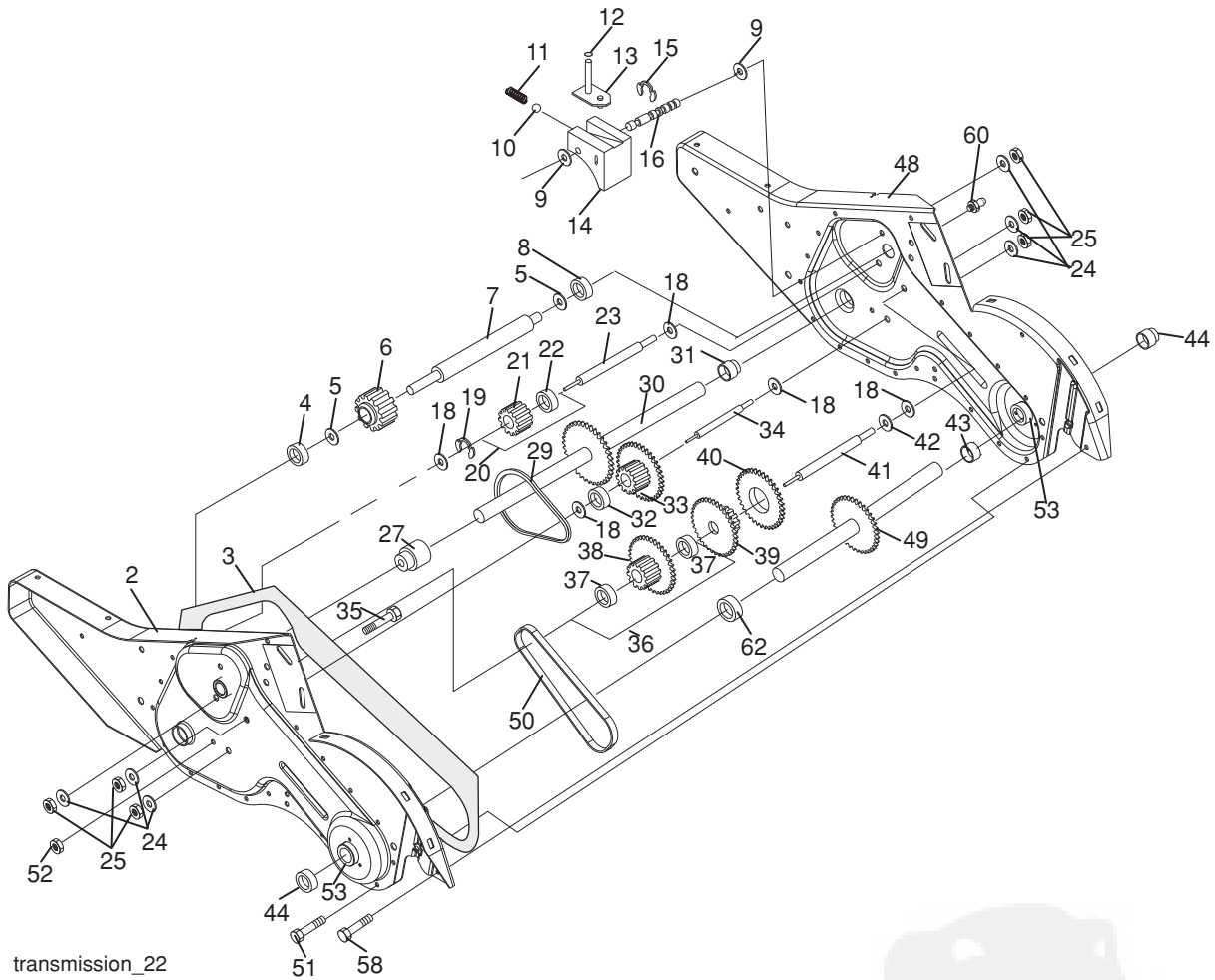
KEY NO.	PART NO.	DESCRIPTION
2	873 97 05-00	Locknut, Hex, Flanged, 5/16-18
5	581 86 47-01	Bracket, Reinforcement
7	532 10 21-73	Counterweight, R.H.
10	874 76 05-24	Bolt, Hex Head, 5/16-18 x 1-1/2
11	532 12 47-88	Retainer Spring
12	532 12 68-75	Rivet, Drilled
13	581 96 07-01	Wheel & Tire Assembly

KEY NO.	PART NO.	DESCRIPTION
15	---	Engine, Briggs & Stratton Model Number 121002-3423-H8 (Order parts from B&S)
44	873 51 06-00	Nut, Hex, Keps, 3/8-16 UNC

**NOTE:** All component dimensions given in U.S.inches.  
 1 inch = 25.4 mm

# LAZER REAR TINE TILLER - MODEL NO. LZ5043 (MFG. ID. NO. 96091001504)

## TRANSMISSION

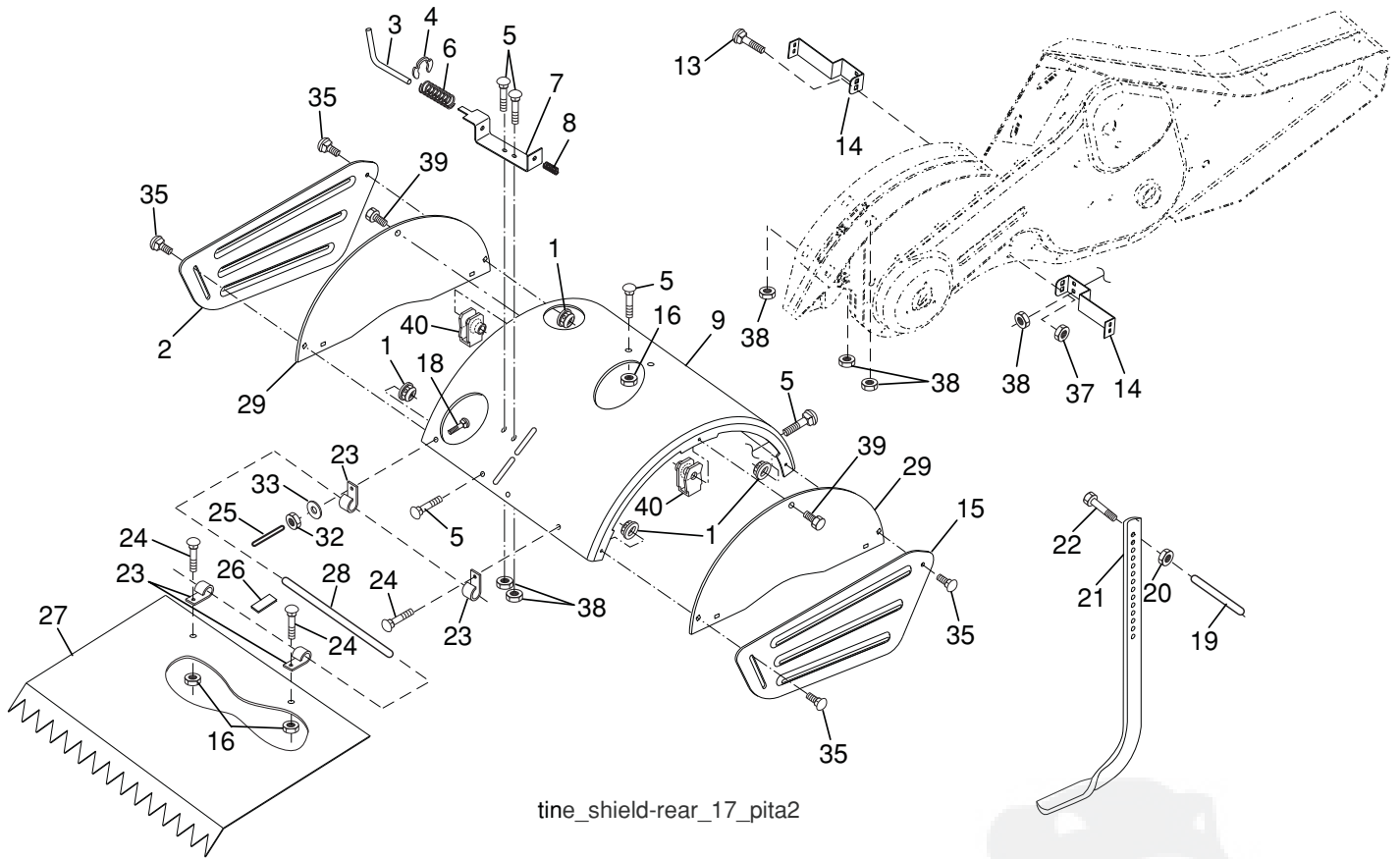


transmission\_22

KEY NO.	PART NO.	DESCRIPTION	KEY NO.	PART NO.	DESCRIPTION
1	532 18 85-54	Transmission Assembly (Includes Key Numbers 2-53)	30	532 15 07-37	Ground Shaft Assembly
2	532 18 84-82	Gearcase, L.H., with Bearing (Includes Key Number 4)	31	532 14 30-08	Bearing, Shaft, Ground Drive, R.H.
3	532 43 10-22	Gasket, Gearcase	32	532 10 63-88	Spacer, 0.7 x 1 x 1.15
4	532 00 50-20	Bearing, Needle	33	532 10 21-21	Sprocket and Gear Assembly
5	532 00 13-70	Washer, Thrust, 5/8 x 1.10 x 1/32	34	532 10 21-12	Shaft, Reduction (2nd)
6	532 13 73-35	Pinion, Input	35	532 10 21-01	Screw, Whizlock, 5/16-18 x 3-1/2
7	532 14 51-01	Shaft, Input	36	532 15 43-55	Sprocket Assembly with Bearing (Includes Key Numbers 37 and 38)
8	532 12 47-92	Bearing, Needle	37	532 12 47-91	Bearing, Needle
9	532 15 44-67	Washer, Seal	38	532 15 43-56	Sprocket, Tine
10	532 12 46-97	Ball, Steel	39	532 10 53-45	Gear, Cluster, Red, 1st & 2nd
11	532 10 03-71	Spring, Shift, Fork	40	532 10 53-46	Gear, Reverse
12	532 10 61-60	O-Ring	41	532 00 83-58	Shaft, Reduction (1st)
13	532 14 21-45	Bracket, Assembly, Shift, CRT	42	532 00 42-20	Washer, Thrust
14	532 00 83-53	Fork, Shift	43	532 10 61-46	Spacer, 1.01 x 1-3/4 x 0.76
15	812 00 00-39	Ring, Klip	44	532 15 52-36	Seal Assembly, Oil
16	532 15 44-66	Shaft, Shift	48	532 18 84-85	Gearcase, R.H., with Bearing (Includes Key Number 8)
18	532 00 43-58	Washer	49	532 43 14-85	Shaft, Tine
19	812 00 00-40	Ring, Klip	50	532 10 61-47	Chain, Roller, #50-50 Pitch
20	532 10 21-14	Gear, Assembly, Reverse Idler (Includes Key Numbers 21 and 22)	51	817 72 04-08	Screw, Thread Cutting, 1/4-20 x 1/2
21	532 10 21-15	Gear, Reverse Idler	52	873 22 05-00	Nut, Hex, 5/16-18
22	532 00 68-03	Bearing, Needle	53	532 16 51-40	Kit, Bearing
23	532 10 21-11	Shaft, Reverse Idler	58	532 17 95-20	Bolt, Shoulder, 1/4-20 x 7/8
24	810 04 07-00	Washer, Lock, 7/16	60	532 18 32-26	Fitting, Grease
25	873 61 07-00	Nut, Hex, 7/16-20	62	532 43 10-15	Spacer, 1.015 x 1-1/2 x .65
27	532 43 12-19	Bearing, Shaft, Ground Drive L.H.			
29	532 10 21-34	Chain, #35-50 Pitch			

**NOTE:** All component dimensions given in U.S. inches.  
1 inch = 25.4 mm

**LAZER REAR TINE TILLER - MODEL NO. LZ5043 (MFG. ID. NO. 96091001504)**  
**TINE SHIELD**



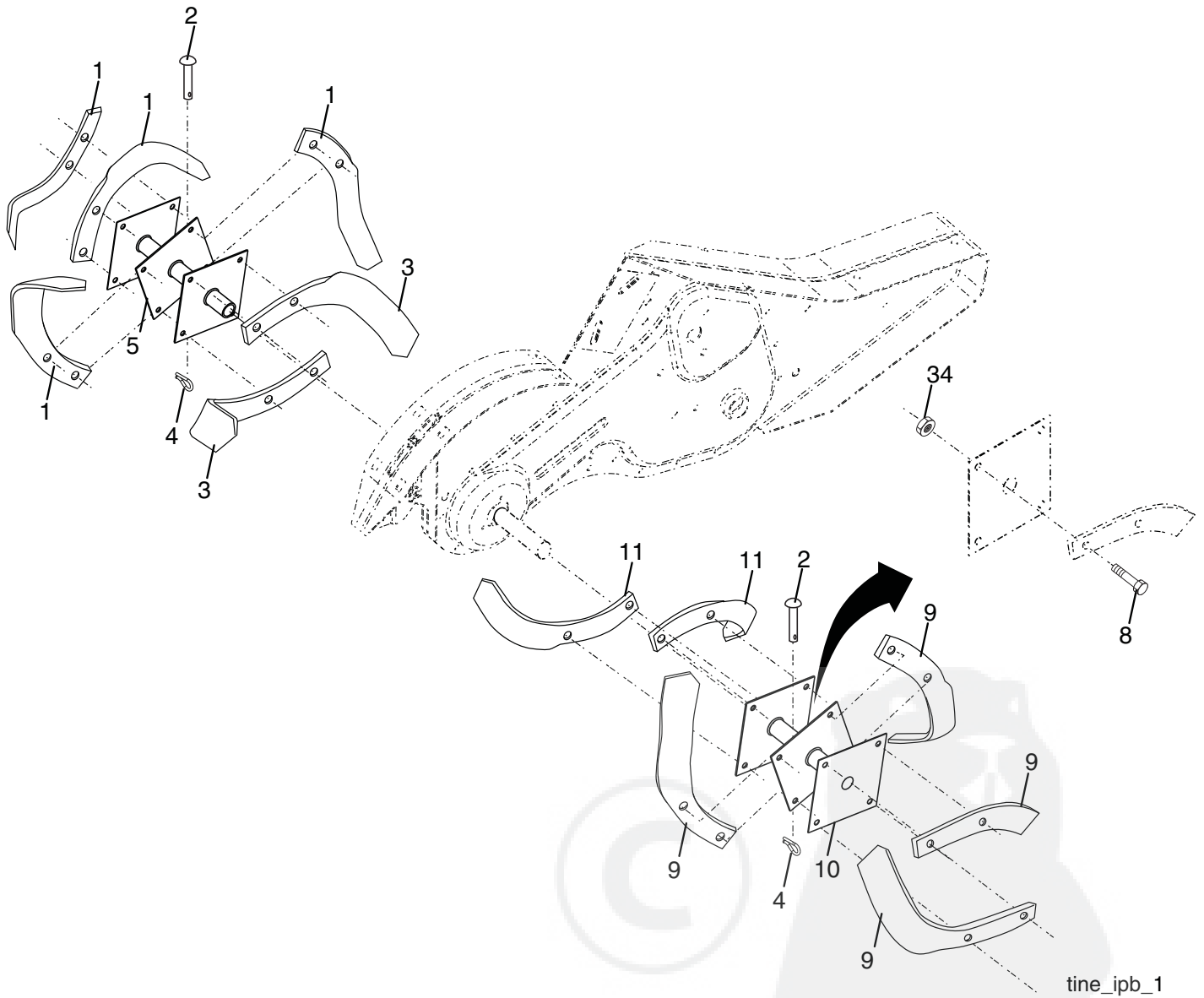
KEY NO.	PART NO.	DESCRIPTION
1	532 15 53-77	Locknut, Hex, Flanged 5/16-18
2	532 44 28-69	Shield, Side, Outer, L.H.
3	532 00 83-93	Pin, Stake, Depth
4	812 00 00-35	Ring, Klip
5	532 18 08-47	Bolt, Carriage 5/16-18 x 3/4
6	532 00 83-94	Spring
7	581 85 08-01	Bracket, Latch
8	532 10 92-30	Spring, Depth Stake
9	532 44 28-58	Shield, Tine
13	872 11 05-10	Bolt, Carriage, Grade 5 5/16-18 x 1-1/4
14	581 81 35-01	Bracket, Shield Tine
15	532 44 28-70	Shield, Side, Outer, R.H.
16	873 90 04-00	Nut, Hex, Flanged 1/4-20 UNC
18	872 04 04-10	Bolt, Carriage, Grade 5 1/4-20 x 1-1/4
19	532 10 27-01	Grip
20	873 22 06-00	Nut, Hex 3/8-16
21	532 12 50-00	Stake, Depth

KEY NO.	PART NO.	DESCRIPTION
22	874 93 06-32	Bolt, Hex Head 3/8-16 x 2
23	532 00 44-40	Hinge
24	872 14 04-04	Bolt, Carriage, Grade 5 1/4-20 x 1/2
25	532 12 47-17	Cap, Vinyl
26	532 10 92-27	Pad, Idler
27	532 44 28-71	Shield, Leveling
28	532 12 05-88	Pin, Hinge
29	581 81 27-05	Shield, Side
32	873 22 04-00	Nut, Hex 1/4-20 UNC
33	810 04 04-00	Washer, Lock, Heavy Helical Spring 1/4
35	872 11 05-05	Bolt, Carriage 5/16-18 x 5/8
37	873 80 05-00	Locknut, Hex, with Washer Insert 5/16-18 UNC
38	873 51 05-00	Nut, Hex, Keps 5/16-18 UNC
39	532 42 88-67	Bolt, Hex Head
40	532 18 11-56	Nut, Hex

**NOTE:** All component dimensions given in U.S. inches.  
 1 inch = 25.4 mm



**LAZER REAR TINE TILLER - MODEL NO. LZ5043 (MFG. ID. NO. 96091001504)**  
**TINE ASSEMBLY**

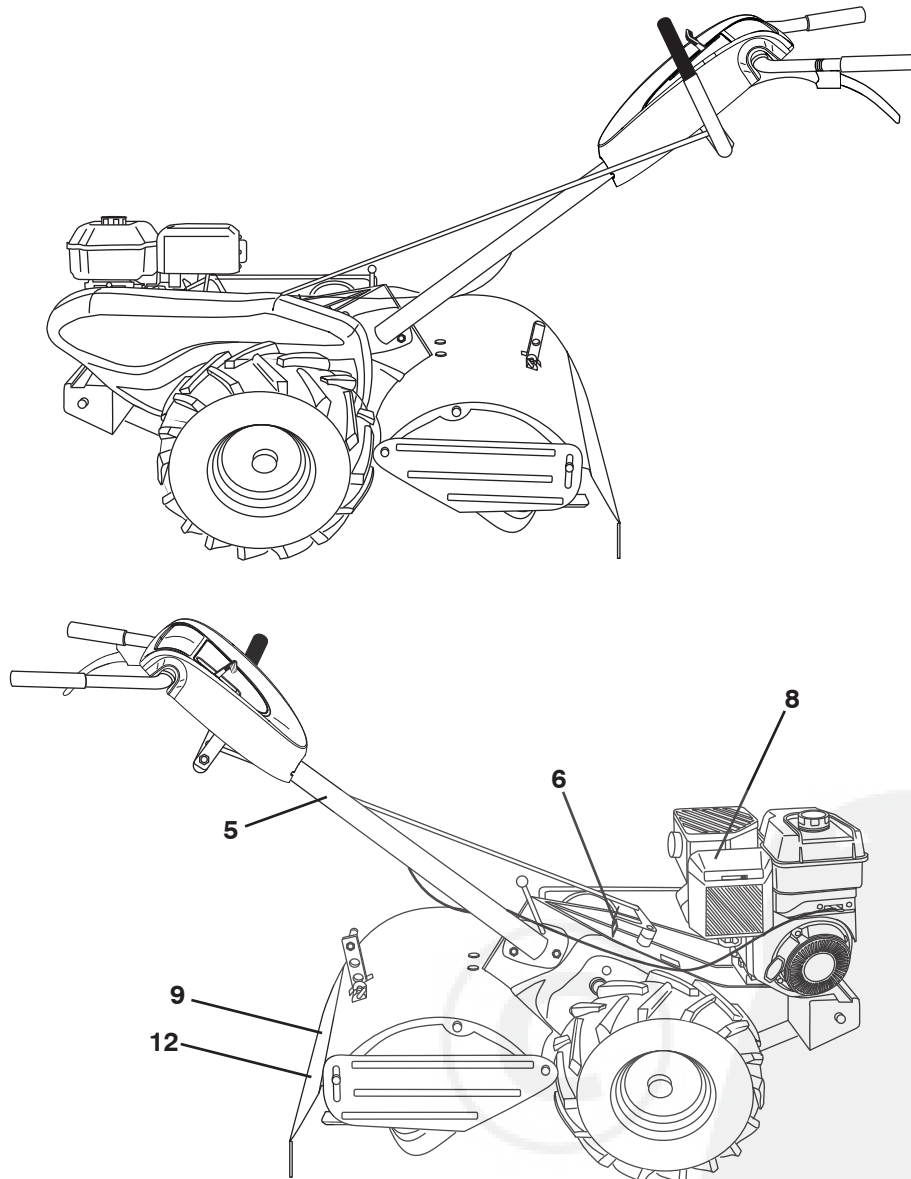


KEY NO.	PART NO.	DESCRIPTION
1	532 00 44-59	Tine, Outer, L.H.
2	532 13 26-73	Clevis Pin
3	532 00 65-54	Tine, Inner, L.H.
4	532 12 46-60	Retainer Spring
5	581 85 30-01	Assembly, Hub and Plate, L.H.
8	874 61 06-16	Bolt, Hex Head, 3/8-24 x 1

KEY NO.	PART NO.	DESCRIPTION
9	532 00 44-60	Tine, Outer, R.H.
10	581 81 37-01	Assembly, Hub and Plate, R.H.
11	532 00 65-55	Tine, Inner, R.H.
34	873 54 06-00	Nut, Hex, Crownlock, 3/8-24

**NOTE:** All component dimensions given in U.S. inches.  
 1 inch = 25.4 mm

**LAZER REAR TINE TILLER - MODEL NO. LZ5043 (MFG. ID. NO. 96091001504)  
DECALS**



KEY NO.	PART NO.	DESCRIPTION
5	532 15 98-77	Decal, Hand Placement
6	532 10 21-80	Decal, Shift Indicator
8	532 43 53-35	Decal, Engine
9	532 14 54-37	Decal, C.E.
12	532 17 65-57	Decal, Warning, Rotating Tines
--	580 43 64-40	Manual, Operator's, European
--	580 43 64-50	Manual, Operator's, Scandinavian