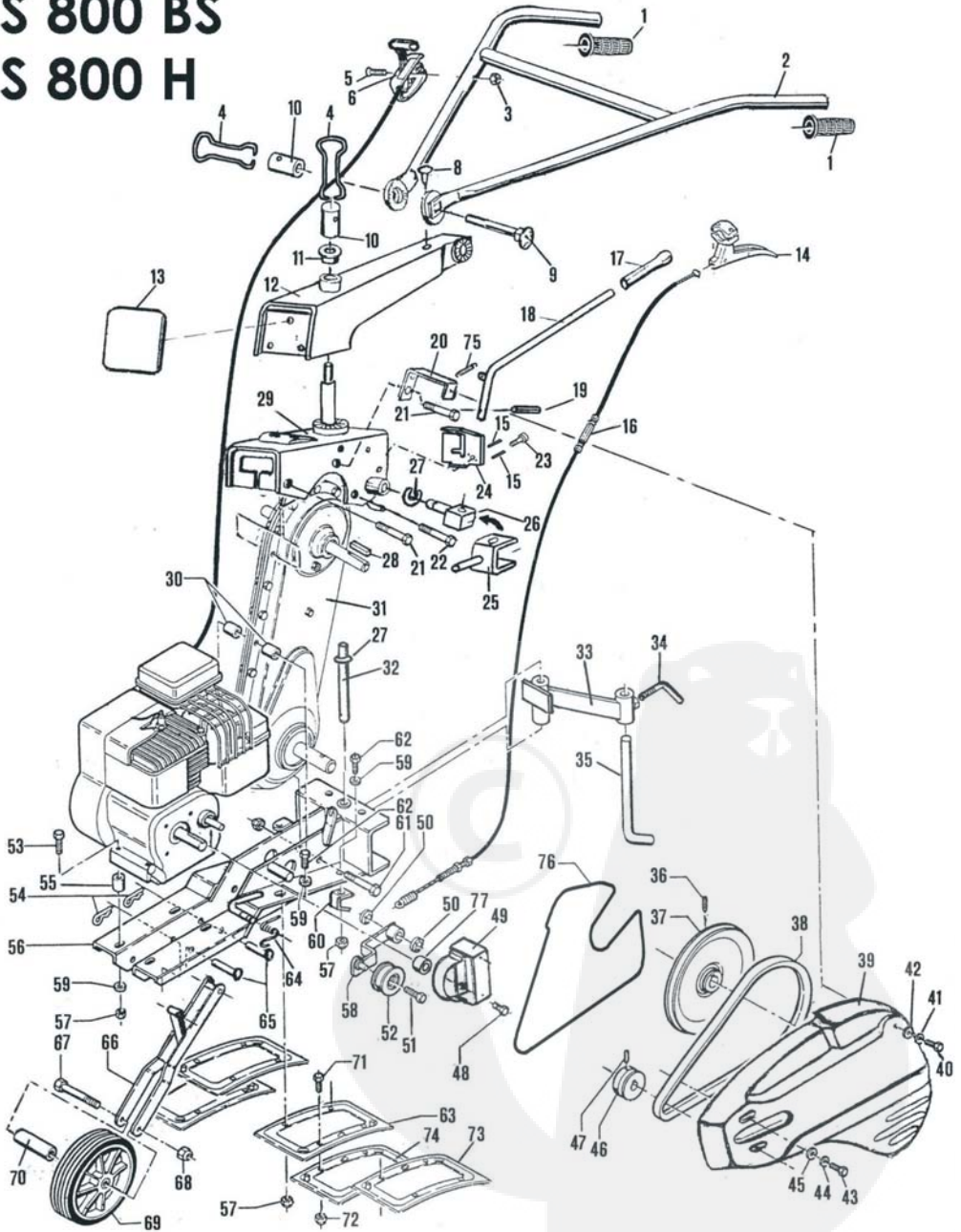


Motoculteur sans débrayage/ Cultivator without Claw Decoupling  
Motocultivator sin desembrague / Einachsschlepperohne Klauenkupplung

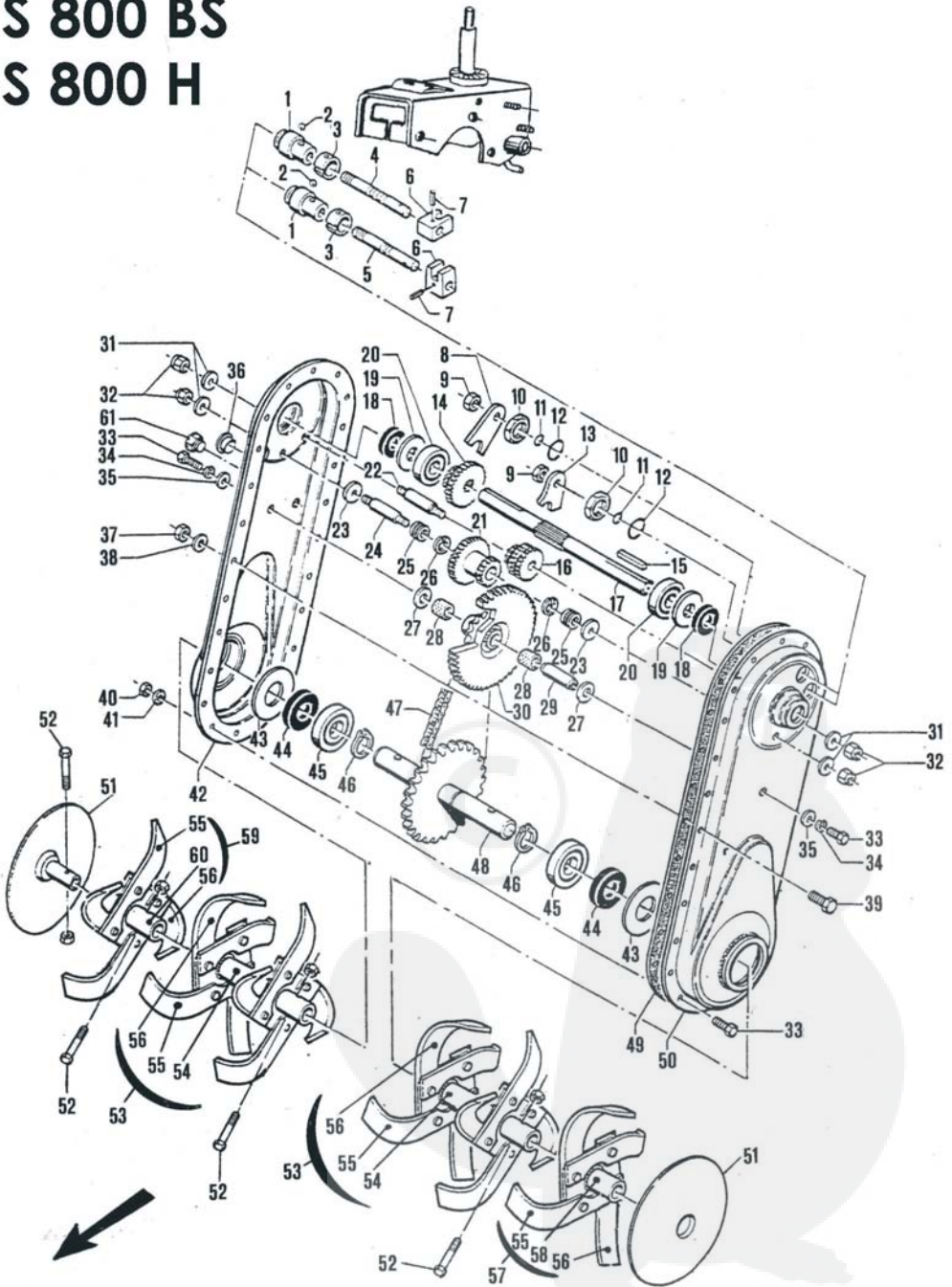
**S 800 BS**  
**S 800 H**



| Fig | Références | Désignation        | Part Name        | Bezeichnung       | Descrizione    | Descripción       | Designação      | Omschrijving       | S800S<br>S800H |
|-----|------------|--------------------|------------------|-------------------|----------------|-------------------|-----------------|--------------------|----------------|
| 1   | 16706      | Poignée            | Handle           | Sterzgriff        | Manopola       | Empunadura        | Pegaderabiça    | Handgriep          | 2              |
| 2   | 34243      | Mancheron          | Handlebar        | Sterz             | Manico         | Manillar          | Manillar        | Handgriep          | 1              |
| 3   | Z53.6      | Ecrrou             | Nut              | Mutter            | Dado           | Tuerca            | Parafuso        | Moer               | 1              |
| 4   | 31142      | Levier             | Lever            | Schalthebel       | Leva           | Palanca           | Hevel           | Braco              | 2              |
| 5   | Z03.6.45   | Vis                | Screw            | Schraube          | Vite           | Tornillo          | Parafuso        | Schroef            | 1              |
| 6   | 30525      | Commande d'acc     | Throttle control | Gashebelgestange  | Commando       | Acceleratore      | Accelerator     | Gashebel           | 1              |
| 8   | 11064      | Bouchon            | Plastic cap      | Verschluß         | Copri          | Tapon plastico    | Tampao plastico | Kunststoffkap      | 1              |
| 9   | Z42.12.120 | Vis                | Screw            | Schraube          | Vite           | Tornillo          | Parafuso        | Schroef            | 1              |
| 10  | 31151      | Ecrrou             | Nut              | Mutter            | Dado           | Tuerca            | Parafuso        | Moer               | 2              |
| 11  | 34066      | Bague              | Spacer           | Abstandsstücke    | Distanziale    | Distanciador      | Separador       | Afstandsstück      | 1              |
| 12  | 34070      | Potence            | Bracket          | Träger            | Supporta       | Sosten manillar   | Quadro          | Juk                | 1              |
| 13  | 34231      | Calandre           | Plastic cap      | Verschluß         | Copri          | Embellecedor      | Calote          | Dop                | 1              |
| 14  | 30933      | Levier             | Lever clutch     | Kupplungsgriff    | Manopola       | Maneta            | Alavanca        | Koppelingshendel   | 1              |
| 15  | 013.4.18   | Goupille           | Pin              | Splint            | Pasador        | Pasador           | Pino            | Borgpen            | 2              |
| 16  | 34224      | Timonerie          | Clutch control   | Gestange          | Cavo semovenza | Mando de embrague | Commando        | Koppelingsstang    | 1              |
| 17  | 10661      | Poignée            | Lever handle     | Hebelgriff        | Capucha        | Tapon plastico    | Tampao plastico | Kunststoffkap      | 1              |
| 18  | 34244      | Levier             | Lever            | Schalthebei       | Leva           | Palanca           | Hevel           | Braco              | 1              |
| 19  | 013.5.30   | Goupille           | Pin              | Splint            | Spina          | Pasador           | Pino            | Borgpen            | 1              |
| 20  | 34234      | Support            | Support          | Träger            | Supporta       | Soporte           | Suporte         | Steuin             | 1              |
| 21  | Z04.10.136 | Boulon             | Screw            | Schraube          | Vite           | Tornillo          | Parafuso        | Schroef            | 2              |
| 22  | Z04.10.126 | Boulon             | Screw            | Schraube          | Vite           | Tornillo          | Parafuso        | Schroef            | 1              |
| 23  | Z26.8.20   | Vis                | Screw            | Schraube          | Vite           | Tornillo          | Parafuso        | Schroef            | 1              |
| 24  | 34068      | Grille de vitesses | Support          | Träger            | Supporta       | Soporte           | Suporte         | Steuin             | 1              |
| 25  | 34055      | Doigt de vitesses  | Gearfinger       | Antriebswelle     | Astina         | Arbal primario    | Eixo            | Wiel               | 1              |
| 26  | 11078      | Pivot              | Axle             | Achse             | Astina         | Eje               | Eixo            | Wielas             | 1              |
| 27  | 062.RS.12  | Circlips           | Circlip          | Clips             | Seeger         | Circlips          | Anel            | Circlip            | 2              |
| 28  | 11006      | Clavette           | Key              | Splint            | Chiavetta      | Clavigia          | Pino            | Pin                | 1              |
| 29  | 34045      | Support de potence | Support          | Träger            | Supporta       | Soporte           | Suporte         | Steuin             | 1              |
| 30  | 34022      | Entretoise         | Spacer           | Anstandschüle     | Distanziale    | Distanciador      | Separador       | Afstandsbruis      | 8              |
| 31  | 34241      | Carter             | Carter           | Carter            | Scocca         | Carter            | Carter          | Aandrijfkap        | 1              |
| 32  | 11264      | Cheville           | Axle             | Achse             | Astina         | Eje               | Eixo            | Wielas             | 1              |
| 33  | 34256      | Support            | Support          | Träger            | Supporta       | Soporte           | Suporte         | Steuin             | 1              |
| 34  | 30615      | Clé de blocage     | Pin              | Schlüssel         | Vite           | Tornillo          | Chave           | Borghevel          | 1              |
| 35  | 34257      | Eperon             | Leg              | Stutze            | Puntone        | Espolon           | Apaió           | Spoortstang        | 1              |
| 36  | 025.6.12   | Vis                | Screw            | Schraube          | Vite           | Tornillo          | Parafuso        | Schroef            | 1              |
| 37  | 34028      | Poulie             | Pulley           | Treibrad          | Puleggia       | Polea             | Polia           | Riemenshoijf       | 1              |
| 38  | 34229      | Courroie           | Belt             | Riemen            | Cinghia        | Correa            | Correia         | Riem               | 1              |
| 39  | 34235      | Capot              | Cover            | Riemenhaube       | Coperchio      | Capo              | Cobertura       | Kap                | 1              |
| 40  | 30071      | Vis                | Screw            | Schraube          | Vite           | Tornillo          | Parafuso        | Schroef            | 1              |
| 41  | Z12.6AZ    | Rondelle           | Washer           | Scheibe           | Rondella       | Arandela          | Anilha          | Ring               | 1              |
| 42  | Z08.L6N    | Rondelle           | Washer           | Scheibe           | Rondella       | Arandela          | Anilha          | Ring               | 1              |
| 43  | 30072      | Vis                | Screw            | Schraube          | Vite           | Tornillo          | Parafuso        | Schroef            | 2              |
| 44  | Z08.L5N    | Rondelle           | Washer           | Scheibe           | Rondella       | Arandela          | Anilha          | Ring               | 2              |
| 45  | Z12.5AZ    | Rondelle           | Washer           | Scheibe           | Rondella       | Arandela          | Anilha          | Ring               | 2              |
| 46  | 34027      | Poulie             | Treibrad         | Treibrad          | Puleggia       | Polea             | Polia           | Riemschijf         | 1              |
| 47  | 052.8.8    | Vis                | Screw            | Schraube          | Vite           | Tornillo          | Parafuso        | Schroef            | 1              |
| 48  | Z03.792416 | Vis                | Screw            | Schraube          | Vite           | Tornillo          | Parafuso        | Schroef            | 2              |
| 49  | 34233      | Guide-courroie     | Veebelt guide    | Riemenführung     | Guida cinghia  | Guia de correia   | Guia de correia | Drifrijmegeleider  | 1              |
| 50  | 062.RS.9   | Circlips           | Circlip          | Clips             | Seeger         | Circlips          | Anel            | Circlip            | 2              |
| 51  | Z03.10.20  | Vis                | Screw            | Schraube          | Vite           | Tornillo          | Parafuso        | Schroef            | 1              |
| 52  | 11030      | Galet              | Tensioner wheel  | Riemenspannrolle  | Puleggia       | Polea             | Polia           | Roi                | 1              |
| 53  | Z03.8.55   | Vis                | Screw            | Schraube          | Vite           | Tornillo          | Parafuso        | Schroef            | 4              |
| 54  | 16667      | Goupille           | Pin              | Splint            | Coppoglia      | Pasador           | Cavilha         | Borgpen            | 2              |
| 55  | 16245      | Entretoise         | Spacer           | Abstandshüle      | Distanziale    | Distanciador      | Separador       | Afstandsstück      | 4              |
| 56  | 34242      | Châssis            | Frame            | Rhamen            | ChOssis        | Chassis           | ChOssis         | ChOssis            | 1              |
| 57  | Z53.8      | Ecrrou             | Nut              | Mutter            | Dado           | Tuerca            | Parafuso        | Moer               | 10             |
| 58  | 30557      | Bras de galet      | Arm              | Vorrichtung       | Leva           | Leva              | Braço           | Molarm             | 1              |
| 59  | Z08.L8N    | Rondelle           | Washer           | Scheibe           | Rondella       | Arandela          | Anilha          | Ring               | 14             |
| 60  | 34237      | Patte              | Support          | Trager            | Supporta       | Soporte           | Suporte         | Steuin             | 2              |
| 61  | Z04.10.70  | Boulon             | Screw            | Schraube          | Vite           | Tornillo          | Parafuso        | Schroef            | 4              |
| 62  | Z03.8.20   | Vis                | Screw            | Schraube          | Vite           | Tornillo          | Parafuso        | Schroef            | 6              |
| 63  | 34238      | Capot d'outils D.  | StoneguardR.     | Werkzeug Haube R. | Protezione Dx  | Capot D.          | Capot D.        | Kapo R.            | 1              |
|     | 34239      | Capot d'outils G.  | Stone guard L.   | Werkzeug Haube L. | Protezione Sx  | Capot I.          | Capot E.        | Kapo L.            | 1              |
| 64  | 30563      | Ressort            | Spring           | Feder             | Molla          | Muelle            | Mola            | Veer               | 1              |
| 65  | 34246      | Cheville           | Pin              | Splint            | Perno          | Pasador           | Cavilha         | Borgpen            | 2              |
| 66  | 34261      | Fourche            | Fork             | Radgäbe           | Supporta       | Horquilla         | Forquilha       | Vork               | 1              |
| 67  | Z03.10.80  | Vis                | Screw            | Schraube          | Vite           | Tornillo          | Parafuso        | Schroef            | 1              |
| 68  | Z53.10     | Ecrrou             | Nut              | Mutter            | Dado           | Tuerca            | Parafuso        | Moer               | 1              |
| 69  | 30601      | Roue               | Wheel            | Rad               | Ruota          | Rueda             | Roda            | Wiel               | 1              |
| 70  | 30602      | Coussinet          | Spacer           | Anstandshüle      | Distanziale    | Distanciador      | Separador       | Afstandsstück      | 1              |
| 71  | 30809      | Vis                | Screw            | Schraube          | Vite           | Tornillo          | Parafuso        | Schroef            | 12             |
| 72  | Z53.6      | Ecrrou             | Nut              | Mutter            | Dado           | Tuerca            | Parafuso        | Moer               | 12             |
| 73  | 33879      | Extension G.       | Extension L.     | Verbreiterung L.  | Estensione L.  | Estencion L.      | Extensão E.     | Extra L spatbord   | 1              |
|     | 33880      | Extension D.       | Extension R.     | Verbreiterung R.  | Estensione D.  | Estencion D.      | Extensão D.     | Extra R spatbord   | 1              |
| 74  | 34264      | Extension D/G      | Extension R/L    | Verbreiterung R/L | Estensione D/S | Estencion D/I     | Extensão D/E    | Extra R/L spatbord | 2              |
| 75  | 32396      | Ressort            | Spring           | Feder             | Molla          | Muelle            | Mola            | Veer               | 1              |
| 76  | 34360      | Platine            | Support          | Trager            | Supporto       | Soporte           | Suporte         | Steuin             | 1              |
| 77  | 33940      | Entretoise         | Spacer           | Abstandshüle      | Distanziale    | Distanciador      | Separador       | Afstandsstück      | 1              |

Motoculteur sans débrayage/ Cultivator without Claw Decoupling  
 Motocultivator sin desembrague / Einachsschlepperohne Klauenkupplung

**S 800 BS**  
**S 800 H**



| Fig | Références | Désignation      | Part Name           | Bezeichnung      | Descrizione      | Descripción      | Designação    | Omschrijving   | S800S800H |
|-----|------------|------------------|---------------------|------------------|------------------|------------------|---------------|----------------|-----------|
| 1   | 34451      | Palier           | Fork bearing        | Gabellager       | Mozzo            | Cojinete         | Chumaceira    | Naaf           | 2         |
| 2   | 34452      | Bille            | Bail bearing        | Kugel            | Sfere            | Bola             | Estera        | Kogel          | 2         |
| 3   | 34453      | Bague            | Spring              | Flashleder       | Molla            | Ballesta         | Mola          | Veer           | 2         |
| 4   | 34454      | Axe 1.2          | Fork pin            | Gabelachse       | Astina           | Eje de horquilla | Eixo          | Wielas         | 1         |
| 5   | 34455      | Axe Ar.          | Fork pin            | Gabelachse       | Astina           | Eje de horquilla | Eixo          | Wielas         | 1         |
| 6   | 34456      | Etrier           | Fork U              | U. Gabel         | Leva             | U de horquilla   | Suporte       | Steun          | 2         |
| 7   | 013.4.30   | Goupille         | Pin                 | Spina            | Splint           | Pasador          | Pino          | Borgpen        | 2         |
| 8   | 34408      | Fourchette Ar.   | Fork                | Gabel            | Settore          | Horquilla        | Garfo         | Vork           | 1         |
| 9   | 34457      | Ecrou            | Nut                 | Mutter           | Dado             | Tuerca           | Parafuso      | Moer           | 2         |
| 10  | 34458      | Ecrou            | Nut                 | Mutter           | Dado             | Tuerca           | Parafuso      | Moer           | 2         |
| 11  | 34459      | Joint            | O. Ring             | Wellendichtung   | Anello di tenuta | Junta taroidal   | Junta         | Voeg           | 2         |
| 12  | 34460      | Joint            | O. Ring             | Wellendichtung   | Anello di tenuta | Junta taroidal   | Junta         | Voeg           | 2         |
| 13  | 34411      | Fourchette 1.2   | Fork                | Gabel            | Settore          | Horquilla        | Garfo         | Vork           | 1         |
| 14  | 34484      | Pignon           | Pinion              | Ritzel           | Ingranaggio      | Pinon            | Pinhão        | Tanrad         | 1         |
| 15  | 11006      | Clavette         | Key                 | Keil             | Chiavetta        | Clavigia         | Pin           | Pino           | X         |
| 16  | 34461      | Pignon           | Pinion              | Ritzel           | Ingranaggio      | Pinon            | Pinhão        | Tanrad         | 1         |
| 17  | 34462      | Arbre            | Shaft               | Welle            | Assale           | Arbol            | Eixo          | Wielas         | 1         |
| 18  | 34463      | Bague            | Sealing washer      | Dichtungsring    | Rondella         | Anilho junta     | Anilha        | Ring           | 2         |
| 19  | 34464      | Rondelle         | Washer              | Scheibe          | Rondella         | Arandella        | Anilha        | Ring           | 2         |
| 20  | 34465      | Roulement        | Bearing             | Kuggeiager       | Rodiamento       | Cojinete         | Rolamento     | Kogellager     | 2         |
| 21  | 34466      | Pignon           | Pinion              | Ritzel           | Ingranaggio      | Pinon            | Pinhão        | Tanrad         | 1         |
| 22  | 34467      | Axe              | Pin                 | Achse            | Astina           | Eje              | Eixo          | Wielas         | 1         |
| 23  | 34468      | Rondelle         | Washer              | Scheibe          | Rondella         | Arandella        | Anilha        | Ring           | 2         |
| 24  | 34469      | Axe              | Pin                 | Achse            | Astina           | Eje              | Eixo          | Wielas         | 1         |
| 25  | 34470      | Roulement        | Bearing needle      | Nadellager       | Rodiamento       | Cujinete         | Rolamento     | Nadellager     | 2         |
| 26  | 34471      | Circlips         | Circlip             | Clips            | Clips            | Circlips         | Seeger        | Circlip        | 2         |
| 27  | 34472      | Rondelle         | Washer              | Scheibe          | Rondella         | Arandella        | Anilha        | Ring           | 2         |
| 28  | 34473      | Bague            | Friction ring       | Reibungsring     | Rondella         | Anilho           | Anilha        | Ring           | 2         |
| 29  | 34474      | Axe              | Pin                 | Achse            | Astina           | Eje              | Eixo          | Wielas         | 1         |
| 30  | 34475      | Pignon           | Pinion              | Ritzel           | Ingranaggio      | Pinon            | Pinhão        | Tanrad         | 1         |
| 31  | Z08.M10U   | Rondelle         | Washer              | Scheibe          | Rondella         | Arandella        | Anilha        | Ring           | 4         |
| 32  | Z53.10     | Ecrou            | Nut                 | Mutter           | Dado             | Tuerca           | Parafuso      | Moer           | 4         |
| 33  | Z03.8.16   | Vis              | Screw               | Schraube         | Vite             | Tornillo         | Parafuso      | Schroef        | 32        |
| 34  | 009.8      | Rondelle         | Washer              | Scheibe          | Rondella         | Arandella        | Anilha        | Ring           | 2         |
| 35  | Z08.L8N    | Rondelle         | Washer              | Scheibe          | Rondella         | Arandella        | Anilha        | Ring           | 2         |
| 36  | 34476      | Bouchon          | Plastic cap         | Verschluss       | Copri            | Tapon            | Tampao        | Kunststoffkap  | 1         |
| 37  | Z11.10     | Ecrou            | Nut                 | Mutter           | Dado             | Tuerca           | Parafuso      | Moer           | 7         |
| 38  | 012.10AZ   | Rondelle         | Washer              | Scheibe          | Rondella         | Arandella        | Anilha        | Ring           | 7         |
| 39  | Z03.10.16  | Vis              | Screw               | Schraube         | Vite             | Tornillo         | Parafuso      | Schroef        | 7         |
| 40  | Z11.8      | Ecrou            | Nut                 | Mutter           | Dado             | Tuerca           | Parafuso      | Moer           | 15        |
| 41  | 012.8AZ    | Rondelle         | Washer              | Scheibe          | Rondella         | Arandella        | Anilha        | Ring           | 16        |
| 42  | 34440      | Carter D.        | Transmis. casing R. | Getriebhäuse R.  | Carter D.        | Carter D.        | Carter D.     | Aandrijfkap R. | 1         |
| 43  | 34477      | Rondelle         | Washer              | Scheibe          | Rondella         | Arandella        | Anilha        | Ring           | 2         |
| 44  | 34478      | Bague            | Sealing washer      | Dichtungsring    | Rondella         | Anilho junta     | Anilha        | Ring           | 2         |
| 45  | 34479      | Roulement        | Bearing             | Kuggeiager       | Rodiamento       | Cojinete         | Rolamento     | Kogellager     | 2         |
| 46  | 021.30     | Circlips         | Circlip             | Clips            | Clips            | Circlips         | Anel          | Circlip        | 2         |
| 47  | 34480      | Chaîne           | Chain               | Kette            | Catena           | Cadena           | Cadeia        | Ketting        | 1         |
| 48  | 34481      | Arbre            | Shaft               | Welle            | Arbero           | Pinon            | Arvore        | Aandrijfjas    | 1         |
| 49  | 34482      | Joint            | Casing seal         | Gehäusedichtung  | Paraolio         | Junta carter     | Junta         | Voeg           | 1         |
| 50  | 34441      | Carter G.        | Transmis. casing L. | Getriebehäuse L. | Carter           | Carter I.        | Carter E.     | Aandrijfkap L. | 1         |
| 51  | 34277      | Disque p.plantes | Disc                | Scheibe          | Dischi           | Disco            | Disco         | Schijf         | 2         |
| 52  | Z04.10.40  | Boulon           | Screw               | Schraube         | Vite             | Tornillo         | Parafuso      | Schroef        | 6         |
| 53  | 34267      | Couronne         | Hoe wheel           | Hoe Kranz        | Fresa            | Corona           | Coroa         | Frees          | 2         |
| 54  | 34268      | Moyeu            | Hub                 | Nabe             | Mozzo            | Eje              | Cubo de roda  | Naaf           | 2         |
| 55  | 30950      | Outil 40x4 D.    | R/H Hoe tool        | Werkzeug R.      | Fresa Dx         | Cuchilla D.      | Ustensilio D. | Rechtermes     | 12        |
| 56  | 30951      | Outil 40x4 G.    | L/H Hoe tool        | Werkzeug L.      | Fresa Sx         | Cuchilla I.      | Ustensilio E. | Linkermes      | 12        |
| 57  | 34271      | Couronne G.      | L/H Hoe wheel       | Kranz L.         | Fresa Sx         | Corona I.        | Coroa E.      | Linkerfrees    | 1         |
| 58  | 34273      | Moyeu G.         | Hub L/H             | Nabe L.          | Mozzo Sx         | Eje I.           | Cubo de coroa | Naaf           | 1         |
| 59  | 34270      | Couronne D.      | R/H Hoe wheel       | Kranz R.         | Fresa Dx         | Corona D.        | Coroa D.      | Rechtenfrees   | 1         |
| 60  | 34272      | Moyeu D.         | Hub R/H             | NabP R.          | Mozzo Dx         | Eje D.           | Cubo de coroa | Naaf           | 1         |
| 61  | 34483      | Bouchon          | Plug                | Verschluss       | Copri            | Tapon            | Tampao        | Kunststoffkap  | 1         |