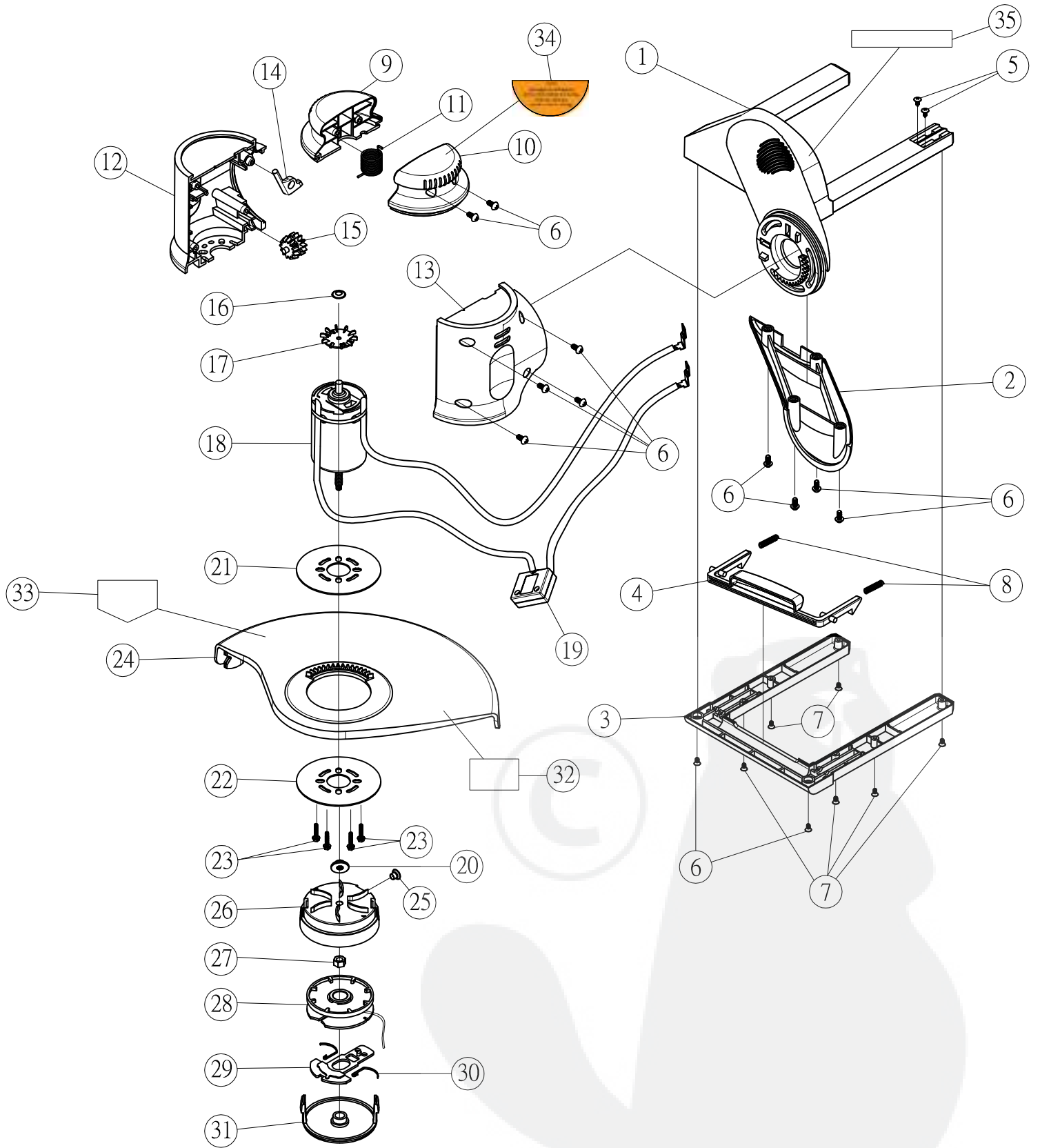


## ES360 Cordless Electric Mower Part List

Item	Description	Q'ty
LZECO-A1+A11	Upper Handlebar Assembly	1
LZECO-A1	Upper Handlebar Housing Set	1
LZECO-A2	Start Button (yellow)	1
LZECO-A3	Spring for Start Button	1
LZECO-A4	Mower/Auxiliary switch (yellow)	1
LZECO-A5	Slide	1
LZECO-A6	Spring for Slide	1
LZECO-A7	Spring for Control Lever	1
LZECO-A8	Control Lever Set ( R+L )	1
LZECO-A9	Switch Cable with Indicator Light	1
LZECO-A10	Upper Handlebar Steel Tube (Silver)	2
LZECO-A11	Screw 3.5*20mm	14
LZECO-A12	Lower Handlebar Steel Tube (R) - Silver	1
LZECO-A13	Lower Handlebar Steel Tube (L) - Silver	1
LZECO-A14	Handlebar Connect Bolt	2
LZECO-A15	Handlebar Connect Knob (Large)	2
LZECO-A16	Cable guide	1
LZECO-A17	Spring Washer D8mm	2
LZECO-A18	Quick-Connect Knob (Small)	2
LZECO-B1	Upper Housing (Blue)	1
LZECO-B2	Safety Key Cover (yellow w/ Victa logo)	1
LZECO-B3	Spring for Safety Key	1
LZECO-B4	Pin for Safety Key Cover	1
LZECO-B5 + B8	Discharge Guard Set (Black)	1
LZECO-B5	Discharge Guard (Black)	1
LZECO-B6	Spring for Discharge Guard	1
LZECO-B7	Bar for Discharge Guard	1
LZECO-B8	End Tube Ringer	2
LZECO-B9	Battery Pack Cover (Blue)	1
LZECO-B10	Battery Cover Hinge	1
LZECO-B11	Screw 4*12mm	2
LZECO-B12 + B13	Safety Key with Strap	1
LZECO-B12	Safety Key	1
LZECO-B13	Strap, Safety Key	1
LZECO-B14	Screw 5*20mm	4
LZECO-B15	Hinge fixed Base	1
LZECO-B16	Screw 4*10mm	3
LZECO-C1	Mower Deck Housing (new version)	1
LZECO-C2	Screw 4*10mm	2
LZECO-C3	Motor (for new version)	1
LZECO-C4	Motor Mounting Plate	1
LZECO-C5	Motor Screw and Washer	4
LZECO-C6	Blade Adapter	1
LZECO-C7	Cut / Mulch Blade	1
LZECO-C8	Hex Adapter	1
LZECO-C9	Blade Nut	1
LZECO-C10	Wrench	1
LZECO-C11	Battery Post (Yellow)	1
LZECO-C12+C19	Trimmer Attachment Housing	1
LZECO-C12	Trimmer Arm Support	1
LZECO-C13	Trimmer Arm Support Flap (yellow)	1
LZECO-C14	Leading Channel Hinge Spring	2
LZECO-C15	Leading Channel Hinge	2
LZECO-C16	Screw 3*10mm	2
LZECO-C17	Electrical Contacts	2

Item	Description	Q'ty
LZECO-C18	Wire, black, #16 L=200mm	1
LZECO-C19	Trimmer Wire, red, #16 L=560mm	1
LZECO-C20	Screw 4*12mm	14
LZECO-C21	Metal Axle Plate	5
LZECO-C22	Rear Axle Cap	1
LZECO-C23	Screw 4*10mm w/ 11mm Waher	2
LZECO-C24	Main Cable	1
LZECO-C25+C27	Circuit Board & Relay Assembly	1
LZECO-C25	Trimmer Relay	1
LZECO-C26	Mower Relay	1
LZECO-C27	Circuit Board	1
LZECO-C28	Screw 4*16mm for Circuit Board	4
LZECO-C29	Washer d5*D16*t1.2mm	1
LZECO-C30	Battery Wire, red, #12 L=410mm	1
LZECO-C31	Battery Wire, black, #12 L=330mm	1
LZECO-C32	Contact Screw & Washer	2
LZECO-C33	Electrical Contacts Cu Connector	2
LZECO-C34	Screw Nut	2
LZECO-C35	Washer d4.5*D22*t1.2mm	1
LZECO-D1+D6	Front Wheel Assembly	1
LZECO-D1+D2	Front Wheel w/ Bearing	2
LZECO-D1	Front Wheel (Tire+Frame)	2
LZECO-D2	Plastic Axle Bearing	8
LZECO-D3	Flat Axle Washer	8
LZECO-D4	Axle nut	4
LZECO-D5	Front Wheel Cap (Sliver)	2
LZECO-D6	Front Axle	1
LZECO-D2+D4+D7+D9	Rear Wheel Assembly	1
LZECO-D2+D7	Rear Wheel w/ Bearing	1
LZECO-D7	Rear Wheel (Tire+Frame)	2
LZECO-D8	Rear Wheel Cap (Sliver)	2
LZECO-D9	Real Axle	1
LZECO-D10	Front to rear axle connector	1
LZECO-D11	Connect Nut	2
LZECO-D12	Lever Spring	1
LZECO-D13	Pin, Lever Spring	1
LZECO-E1+E7	Battery Pack	1
LZECO-E1	Battery Box (Yellow)	1
LZECO-E2	Battery	2
LZECO-E3	Battery Wire in series	1
LZECO-E4	Charging Plate	1
LZECO-E5	Terminal	2
LZECO-E6	Battery Box Cover	1
LZECO-E7	Screw 4*14mm	2
LZECO-F1+F7	Rear Bagger Set (Black)	1
LZECO-F1+F2	Clip Slide Set (yellow)	1
LZECO-F1	Clip Slide (yellow)	1
LZECO-F2	Base, Clip Slide (yellow)	1
LZECO-F3	Bagger plastic Lid (Black)	1
LZECO-F4	Bagger Plastic Housing (Black)	1
LZECO-F5	Shield screw	1
LZECO-F6	Bagger	1
LZECO-F7	Bagger steel frame	1
LZECO-G1	Plug	1
LZECO-G2	Instruction Book	1
LZECO-G3	Charger	1



### LK270B Trimmer Spare Parts

Item#	Description	Q'ty
LZLK270B-1	Pillar Base ( Upper )	1
LZLK270B-2	Pillar Base ( Lower )	1
LZLK270B-3	Pillar Base Cover	1
LZLK270B-4	Press-bar with hook	1
LZLK270B-5	Screw 3*8mm	2
LZLK270B-6	Screw 4*16mm	12
LZLK270B-7	Screw 3*19mm	6
LZLK270B-8	Spring for Press-bar	2
LZLK270B-9	Knob Housing ( R )	1
LZLK270B-10	Knob Housing ( L )	1
LZLK270B-11	Spring for Knob	1
LZLK270B-12	Motor protecting Housing ( R )	1
LZLK270B-13	Motor protecting Housing ( L )	1
LZLK270B-14	L Hook	1
LZLK270B-15	Motor Gear	1
LZLK270B-16	Motor Fan Nut	1
LZLK270B-17	Motor Fan	1
LZLK270B-18	Motor MA3.0 / MA3.1	1
LZLK270B-19	Safety Switch	1
LZLK270B-20	Motor Shaft Sleeve	1
LZLK270B-21	Motor Insulation Gasket	1
LZLK270B-22	Motor Mounting Plate	1
LZLK270B-23	Motor Mounting Plate Screw and Washer	4
LZLK270B-24	Trimmer Shield MA3.1 / MA3.6	1
LZLK270B-25	Cartridge Rivet	1
LZLK270B-26	Cartridge Housing	1
LZLK270B-27	Cartridge Nut	1
LZLK270B-28	Spool with Cord	1
LZLK270B-28-3	3 Spools with Cord	1
LZLK270B-29	Cord Feeding Driver	1
LZLK270B-30	Cartridge Metal Spring	2
LZLK270B-31	Green Cartridge Cover	1
LZLK270B-32	MA3.1 Trimmer Operating Label	1
LZLK270B-33	MA3.1 Trimmer Danger Label - bilingual	1
LZLK270B-34	MA3.1 Trimmer Head Adjustment Label - Biling	1
LZLK270B-35	MA3.1 Trimmer housing removal label - Biling	1