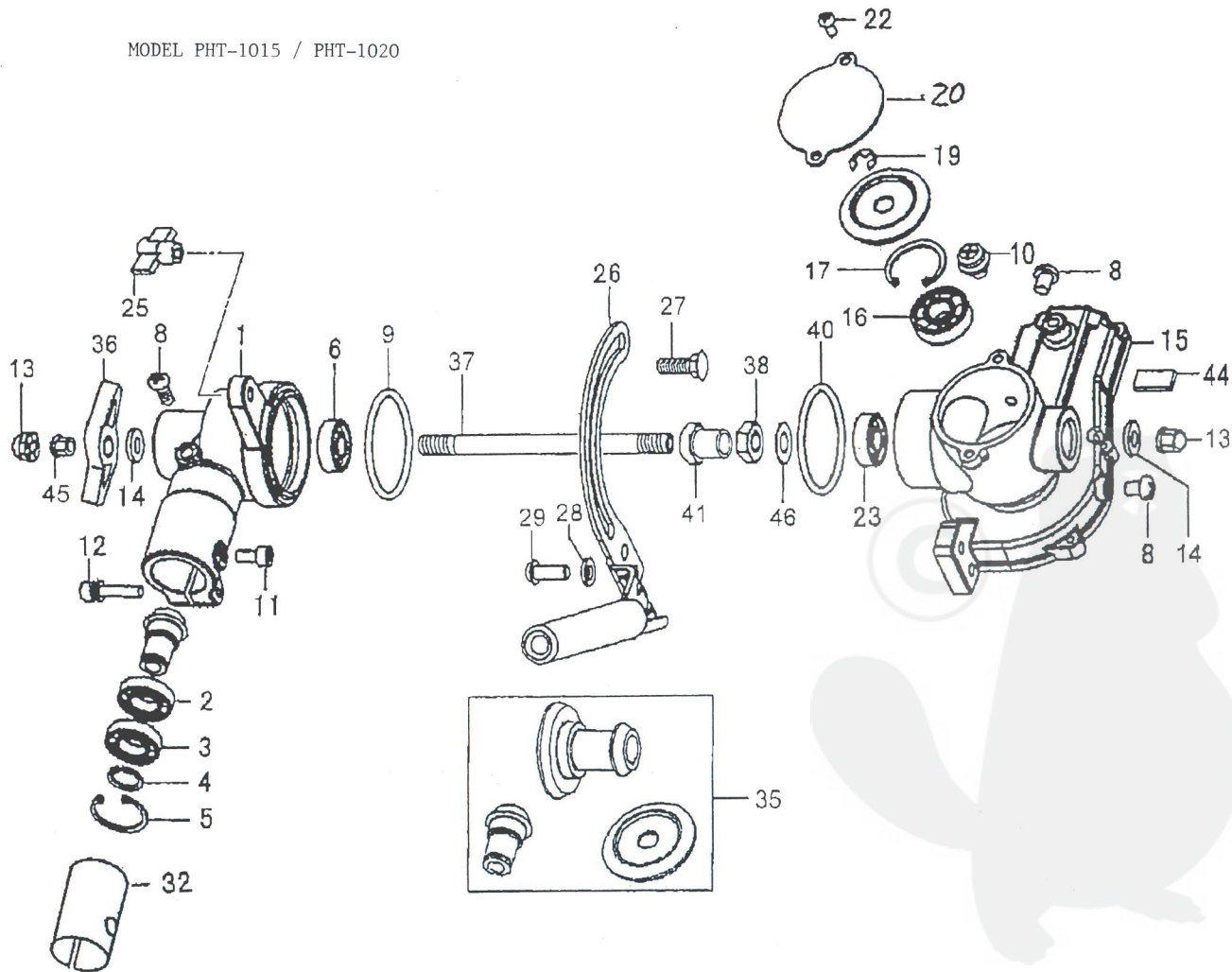


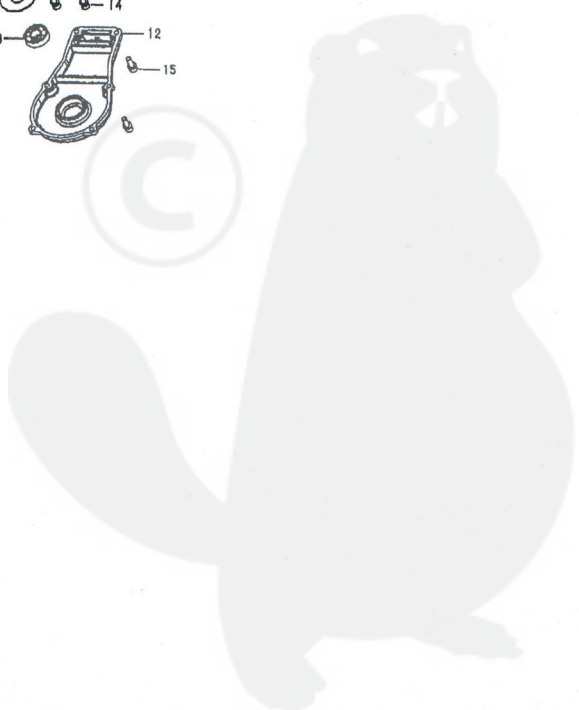
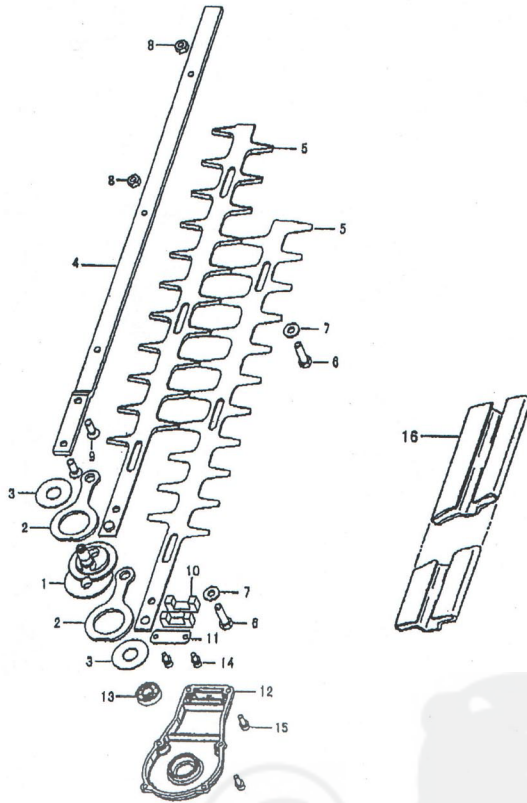
PHT1020
PCS1020

PHT1020 POLE HEDGE TRIMMER / PCS1020 POLE CHAIN SAW

Ref.No.	Parts Code	Description	Quantity
1	1686072	HEDGE TRIMMER	1
2	1686008	DRIVE SHAFT HOUSING ASS'Y	1
3	1686007	DRIVE SHAFT HOUSING	1
4	1667825	CUSHION	5
5	1667824	OIL METAL	5
6	1685947	DRIVE SHAFT	1
7	2011000	CLUTCH DRUM	1
8	0083190	RING	1
9	0046010	BEARING	1
10	2011010	WASHER	1
11	2011020	CLUTCH CASE	1
12	0080610	RING	1
13	0018090	BOLT	1
14	0024260	SCREW	1
15	0018060	BOLT	4
16	1652251	GRIP	1
17	2011052	BAND	2
18	0029120	SCREW	2
19	1685470	THROTTLE LEVER	1
20	1681471	WIRE	1
21	1669590	CONNECTOR	1
22	1686231	OPERATOR MANUAL	1
23	1652150	HEX.WRENCH	1
24	1654103	SPANNER	1

MODEL PHT-1015 / PHT-1020







1



9



PHT1020 1015 head part

PHT1020/1015 POLE HEDGE TRIMMER HEAD PART			
REF.NO.	PARTS CODE	DESCRIPTION	QUANTITY
page 1/3			
1	300-32284-20	GEAR CASE A	1
2	999-61690-100	BEARING, 6901 C3	1
3	999-61690-101	BEARING, 6901ZZ C3	1
4	993-52012-002	STOP RING, 12	1
5	993-51024-002	STOP RING, 24	1
6	999-61608-013	BEARING, 608ZZC3	1
8	994-31060-081	SCREW, 6*8	3
9	999-67041-000	O-RING, P-41	1
10	994-13060-101	SCREW, 6*10P	1
11	990-51050-103	BOLT, 5*10	1
12	994-61050-224	BOLT, 5*22	1
13	991-44080-022	NUT, 8	2
14	027-31800-20	WASHER	2
15	301-32280-25	GEAR CASE B	1
16	999-61600-014	BEARING, 600ODD C3	1
17	993-51026-002	STOP RING, 26	1
19	993-55060-000	STOP RING, 6E	1
20	327-32295-90	GEAR CASE COVER A ASSY	1
22	990-11040-081	SCREW, 4*8	2
23	999-61608-013	BEARING, 608ZZC3	1
25	512-32285-80	HADLE KNOB A ASSY	1
26	033-32280-81	SLIDE GUIDE ASSY	1
27	196-32285-20	BOLT	1
28	992-10060-062	SPRING WASHER, 6	2
29	990-53060-153	SCREW 6*15	2
32	348-33130-20	COLLAR B	1
35	302-32282-00	GEAR SET PN	1
36	512-32298-20	HANDLE KNOB	1
37	305-32282-22	GEAR SHAFT	1
38	991-01080-011	NUT	1
40	071-32282-21	SIM	1
40	071-32282-22	SIM	1
40	071-32282-23	SIM	1
41	096-32285-20	COLLAR, 26. 8	1
44	086-32286-20	GREASE STOPPER	1
45	121-32530-20	NUT	1
46	992-01100-011	WASHER	1
page 2/3			
1	100-32280-21	CUM SHAFT	1
2	101-33160-22	CUM ROD	2
3	075-32280-20	GUIDE PLATE, CUM ROD	2
4	122-33160-21	CUTTER GUIDE 625mm	1
5	120-32287-21	CUTTER	2
6	124-33202-21	BOLT, A	4
7	129-33202-20	WASHER	4
8	123-33202-20	NUT	4
9	990-52060-165	SCREW, 6*16	2
10	085-33160-20	GREASE STOPPER A	2
11	105-32280-20	PUSH PLATE, CUM ROD	1
12	328-32280-21	GEAR CASE COVER B	1
13	999-61608-014	BEARING, 608DD C3	1
14	994-61040-104	BOLT, 4*10S	2
15	994-61040-124	BOLT, 4*12S	6

PHT1020 1015 head part

16	138-33160-20	CUTTER COVER ,L550	1
page 3/3			
1	920-32285-21	MARK	1
9	907-32304-20	MARK	1

