



**REPAIR PARTS MANUAL**  
**MODEL NO. LZ125H97RB (96061034601)**  
**Lawn Tractor**

---

# HOW TO USE THIS MANUAL

This manual is designed to provide the customer with a means to identify the parts on his/her tractor when ordering repair parts. The illustrations may or may not represent the actual assemblies; therefore, it is not recommended to use this manual as a guide to assemble or disassemble the tractor. Some hardware and parts are drawn larger in order to more readily identify them.

Each tractor has its own model number.

The model number for your tractor can be found on the fender under the seat.

When ordering parts, always give the following information:

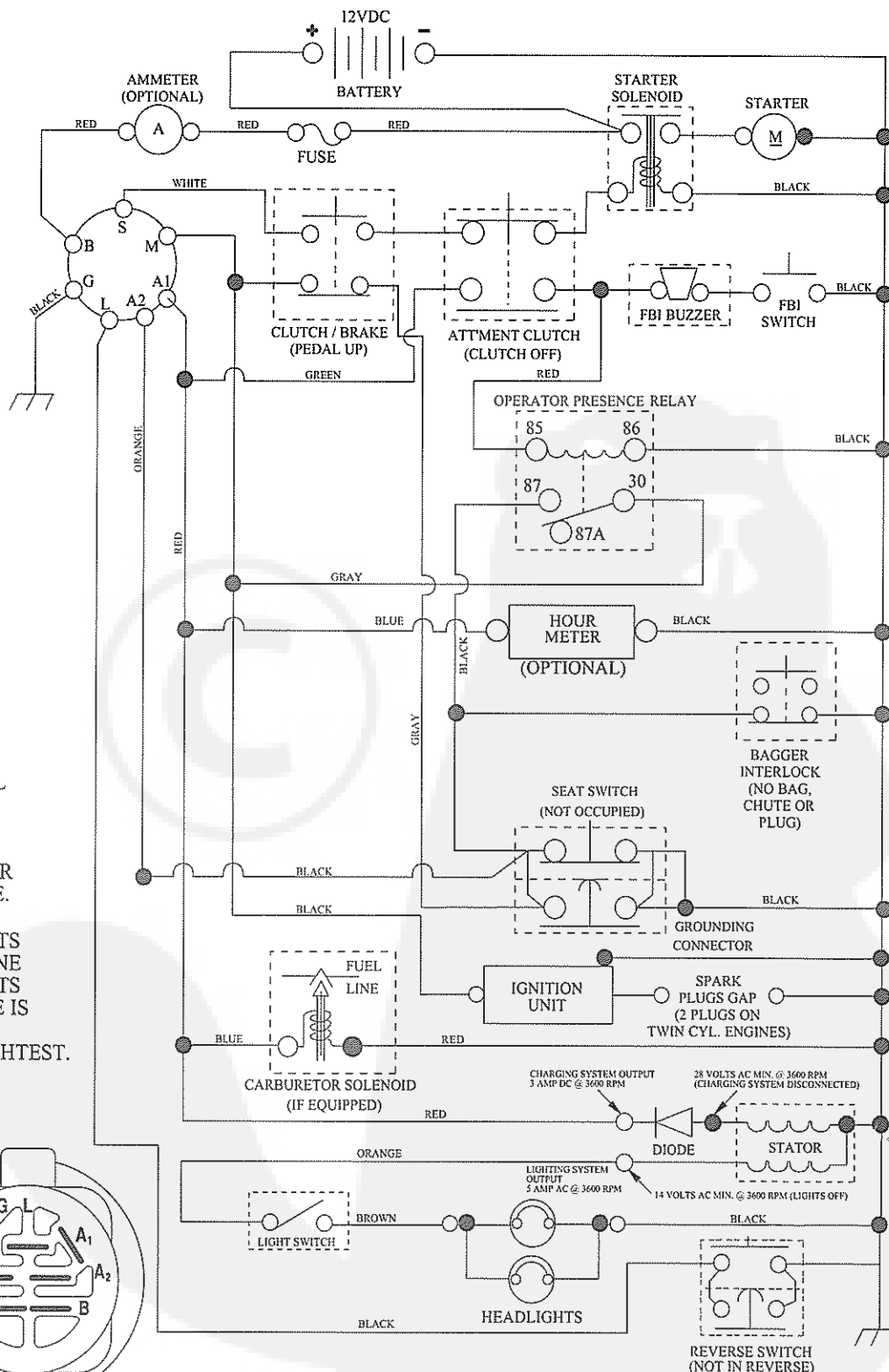
- Product - "Tractor"
- Model Number - "LZ125H97RB (96061034601)"
- Part Number
- Part Description

## TABLE OF CONTENTS

SCHEMATIC .....	3
ELECTRICAL.....	4-5
CHASSIS AND ENCLOSURES.....	6-7
DRIVE.....	8-9
ENGINE.....	10-11
STEERING ASSEMBLY.....	12-13
MOWER .....	14-15
MOWER LIFT.....	16
SEAT ASSEMBLY.....	17
BAGGER.....	18
DECALS.....	19

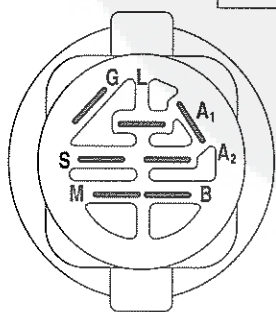
# TRACTOR- -MODEL NO. LZ125H97RB (96061034601), PRODUCT NO. 960 61 03-46 SCHEMATIC

SCH08



## NOTE

YOUR TRACTOR IS EQUIPPED WITH A SPECIAL ALTERNATOR SYSTEM. THE LIGHTS ARE NOT CONNECTED TO THE BATTERY, BUT HAVE THEIR OWN ELECTRICAL SOURCE. BECAUSE OF THIS, THE BRIGHTNESS OF THE LIGHTS WILL CHANGE WITH ENGINE SPEED. AT IDLE THE LIGHTS WILL DIM. AS THE ENGINE IS SPEEDED UP, THE LIGHTS WILL BECOME THEIR BRIGHTEST.



IGNITION SWITCH

POSITION	CIRCUIT "MAKE"
OFF	M+G+A1
RUN/OVERRIDE	B+A1
RUN	B+A1 L+A2
START	B + S + A1

## WIRING INSULATED CLIPS

NOTE: IF WIRING INSULATED CLIPS WERE REMOVED FOR SERVICING OF UNIT, THEY SHOULD BE RE-INSTALLED TO PROPERLY SECURE YOUR WIRING.

REMOVABLE CONNECTIONS

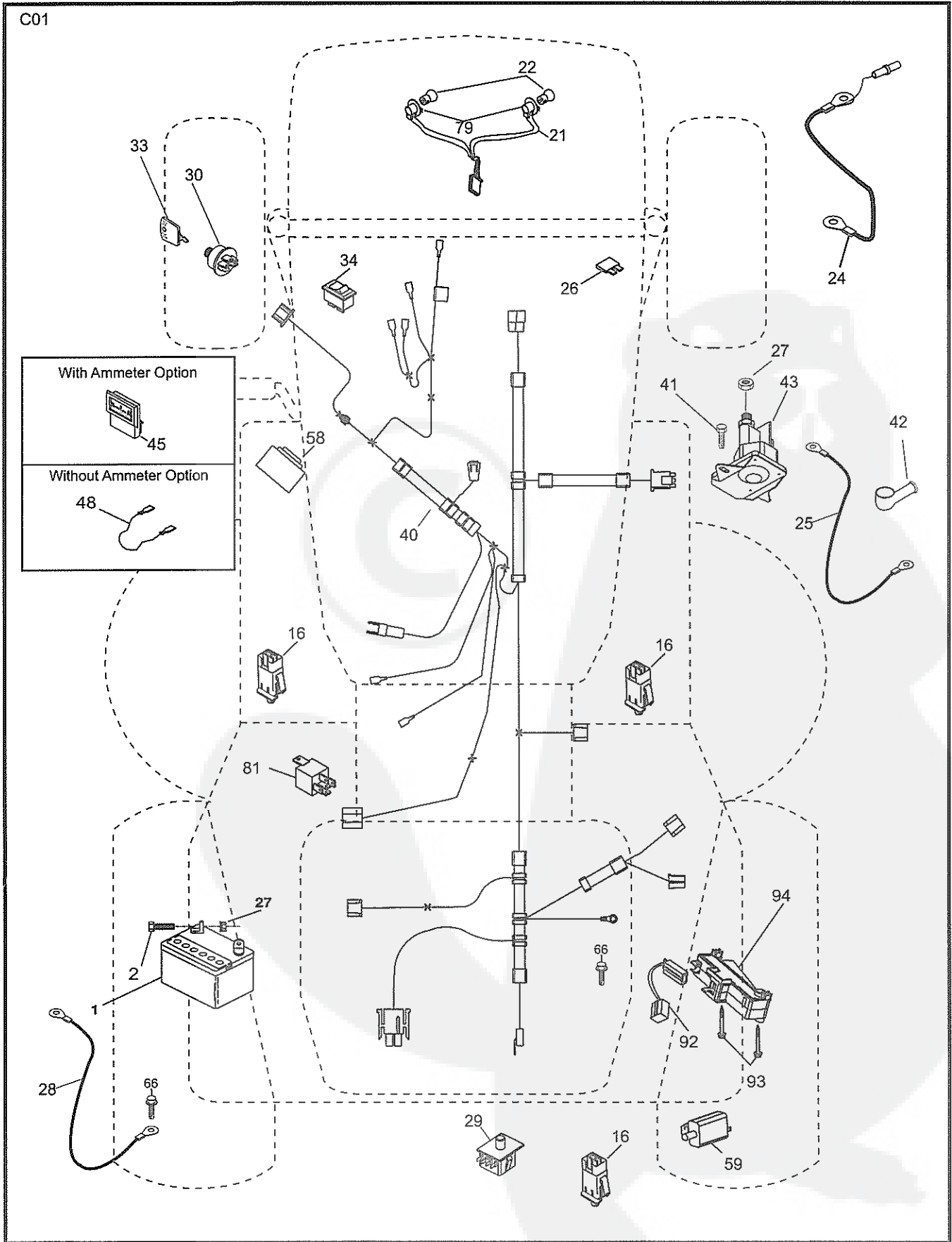
NON-REMOVABLE CONNECTIONS



RELAY

# REPAIR PARTS

TRACTOR- -MODEL NO. LZ125H97RB (96061034601), PRODUCT NO. 960 61 03-46  
ELECTRICAL



# REPAIR PARTS

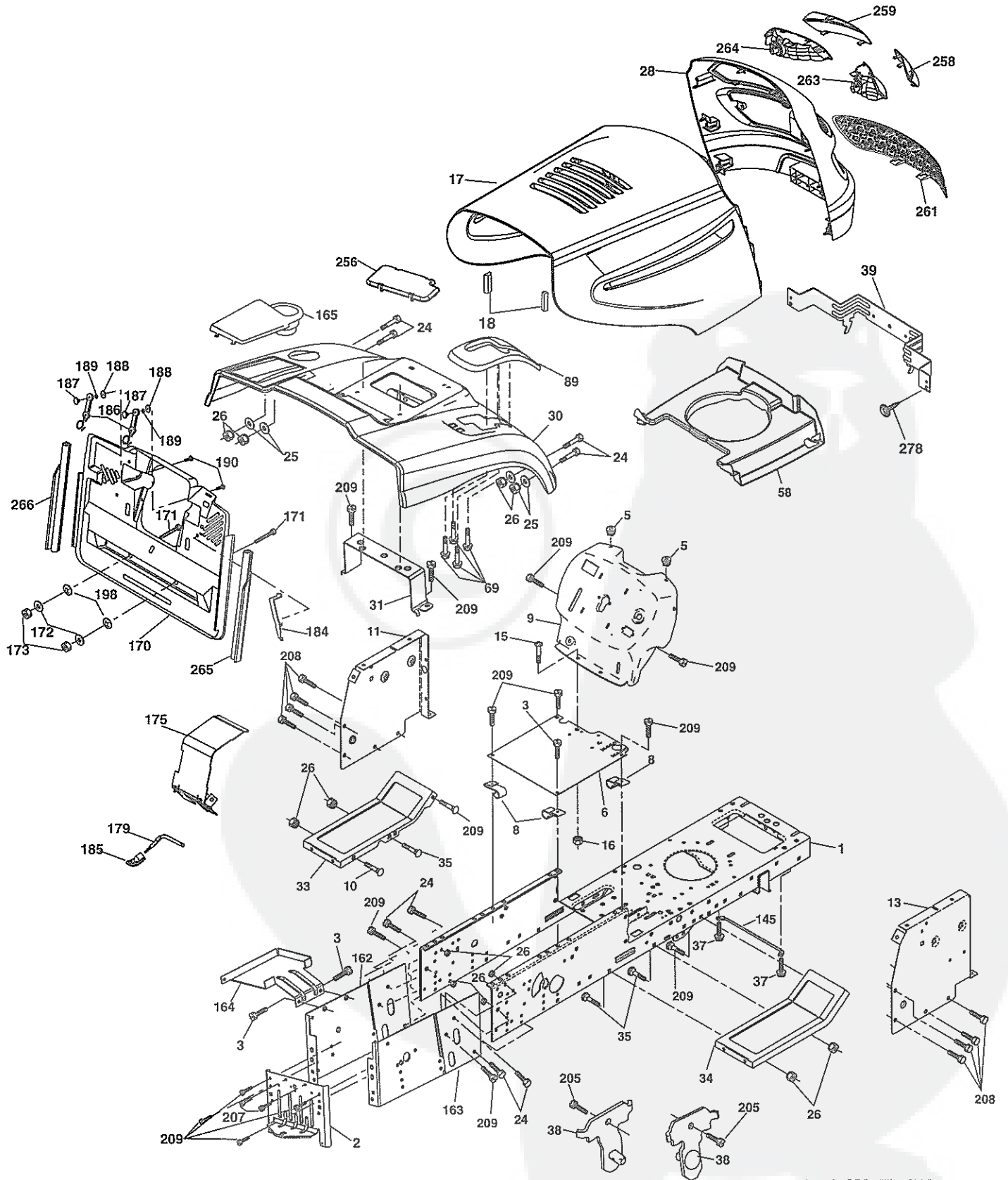
TRACTOR- -MODEL NO. LZ125H97RB (96061034601), PRODUCT NO. 960 61 03-46  
ELECTRICAL

KEY NO.	PART NO.	DESCRIPTION
1	532 16 34-65	Battery
2	874 76 04-12	Bolt Hex Hd 1/4-20 unc x 3/4
16	532 17 61-38	Switch Interlock Push-In
21	532 18 37-59	Harness Asm. Light
22	532 00 41-52	Bulb Light
24	532 16 59-87	Cable Battery CRD 56" Red
25	532 42 12-99	Cable Starter 6 Ga. 11" Red
26	532 17 51-58	Fuse 20 Amp
27	873 51 04-00	Nut Keps Hex 1/4-20 unc
28	532 12 77-25	Cable Ground 6 Ga.18" Black
29	532 19 27-49	Switch Seat
30	532 19 33-50	Switch Ignition
33	532 41 19-35	Key/Chain
34	532 11 07-12	Switch Light
40	532 19 74-36	Harness Ignition
41	871 11 04-08	Bolt Flk Fin Hex 1/4-20 unc x 1/2
42	532 13 15-63	Cover Terminal Red
43	532 19 25-07	Solenoid
48	532 14 08-44	Adapter Ammeter Rectangular
58	532 16 94-19	Buzzer CRD
59	532 18 03-79	Switch FBI CRD
66	817 49 06-08	Screw Thdrol 3/8-16 x 1/2 Ty-Tt
79	532 17 52-42	Socket Asm. Bulb Twistlock
81	532 10 97-48	Relay Asm.
92	532 19 66-15	Harness Pigtail Console ROS
93	532 19 25-40	Screw Plastite 10-14 x 2.0
94	532 19 18-34	Module Reverse ROS

**NOTE:** All component dimensions given in U.S. inches.  
1 inch = 25.4 mm.

# REPAIR PARTS

TRACTOR- -MODEL NO. LZ125H97RB (96061034601), PRODUCT NO. 960 61 03-46  
CHASSIS AND ENCLOSURES



chassis-CRD\_Elite SV Pro\_1

# REPAIR PARTS

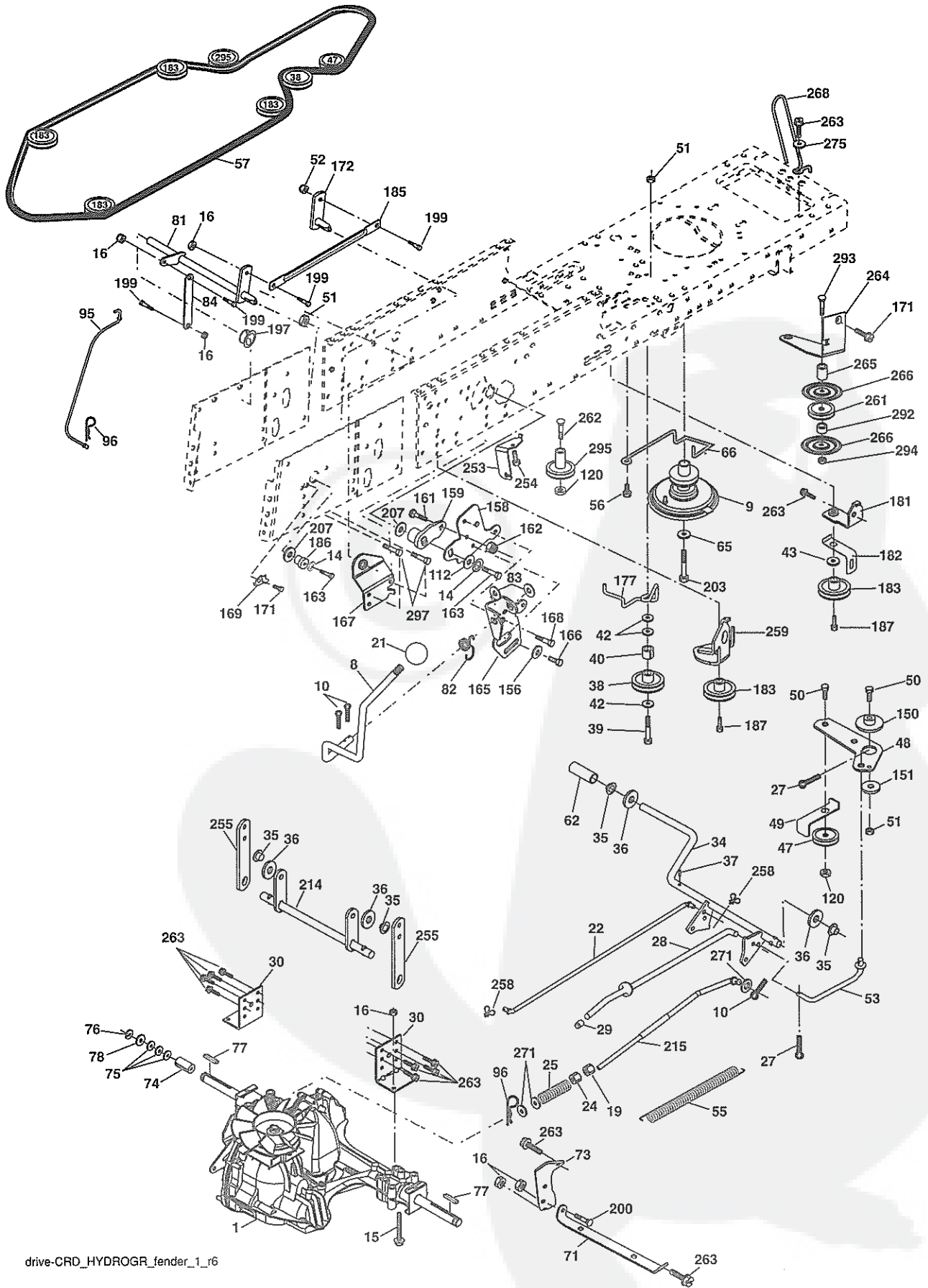
TRACTOR- -MODEL NO. LZ125H97RB (96061034601), PRODUCT NO. 960 61 03-46  
CHASSIS AND ENCLOSURES

KEY NO.	PART NO.	DESCRIPTION	KEY NO.	PART NO.	DESCRIPTION
1	532 17 46-20	Chassis	164	532 16 56-05	Support Battery CRD
2	532 18 03-84	Drawbar	165	532 18 13-56	Cover Battery CRD Lt.
3	817 06 06-12	Screw 3/8-16 x .75	170	532 19 94-88	Backplate CRD
5	532 15 52-72	Bumper Hood/Dash	171	872 14 06-20	Bolt Rdhd Sqnk 3/8-16 x 2-1/2 Gr. 5
6	532 18 44-19	Saddle	172	819 13 20-16	Washer 13/32 x 1-1/4 x 16 Ga.
8	532 12 64-71	Clip Insulator 13/32 Mtg. Hole	173	873 51 06-00	Nut, Keps Hex 3/8-16 unc
9	532 19 46-88	Dash	175	532 18 82-03	Trap Door CRD
10	872 14 06-08	Bolt, Carriage 3/8-16 x 3/4	179	532 18 82-02	Rod Pivot FBI CRD
11	532 17 49-96	Panel, Dash, L.H.	184	532 17 46-62	Bracket Actuator Bagger CRD
13	532 18 69-52	Panel, Asm. Dash, R.H.	185	532 44 14-16	Knob Rod
15	874 18 05-12	Screw, Machine, Truss Head 5/16-18 unc x 3/4	186	532 16 07-93	Latch Asm. Multch Bagger
16	873 51 05-00	Nut	187	532 12 50-04	Nut Weld .327/.304 #10-24
17	532 44 28-82	Hood Assembly	188	819 06 12-16	Washer #10
18	532 18 49-21	Bumper Hood	189	810 07 10-00	Washer Lock #10
24	874 78 06-16	Bolt	190	871 08 10-10	Screw Pan Hd. Phillips 10-24 x 5/8
25	819 13 13-12	Washer 13/32 x 13/16 x 12 Ga.	198	532 16 89-37	Nut Push
26	873 80 06-00	Nut	205	817 49 06-08	Screw 3/8-16 x 1/2
28	532 18 97-48	Grille	207	817 67 05-08	Screw 5/16-18 x 1/2
30	532 44 15-30	Fender	208	817 67 06-08	Screw Thdrol 3/8-16 x 1/2
31	532 16 51-56	Bracket, Fender Support	209	817 00 06-12	Screw Hex Wsh. Thdrol 3/8-16 x 3/4
33	532 44 15-19	Footrest, L.H.	256	532 18 13-61	Cover Fender Rack CRD
34	532 44 15-18	Footrest, R.H.	258	532 18 97-55	Lens Grille RH
35	872 11 06-06	Bolt	259	532 18 97-54	Lens Grille LH
37	817 49 05-08	Screw Thdrol 5/16-18 x 1/2 TYT	261	532 18 97-53	Insert Grille
38	532 18 17-48	Bracket Asm. Pivot Mower Rear	263	532 18 38-33	Bezel Grille RH
39	532 40 78-07	Bracket Pivot	264	532 18 38-32	Bezel Grille LH
58	532 18 43-22	Duct Intake	265	532 18 57-04	Seal RH Side Bagger
69	532 14 24-32	Screw Hex 1/4-1/2	266	532 18 57-03	Seal LH Side Bagger
89	532 19 73-66	Console	278	532 41 63-58	Screw #10 x 0.750
145	532 40 91-67	Rod Pivot Chassis/Hood	--	532 00 54-79	Plug, Button
162	532 18 03-82	Bracket Exten. Chassis LH CRD			
163	532 18 03-83	Bracket Exten. Chassis RH CRD			

**NOTE:** All component dimensions given in U.S. inches.  
1 inch = 25.4 mm.

# REPAIR PARTS

TRACTOR- -MODEL NO. LZ125H97RB (96061034601), PRODUCT NO. 960 61 03-46  
DRIVE



drive-CRD\_HYDROGR\_fender\_1\_r6



# REPAIR PARTS

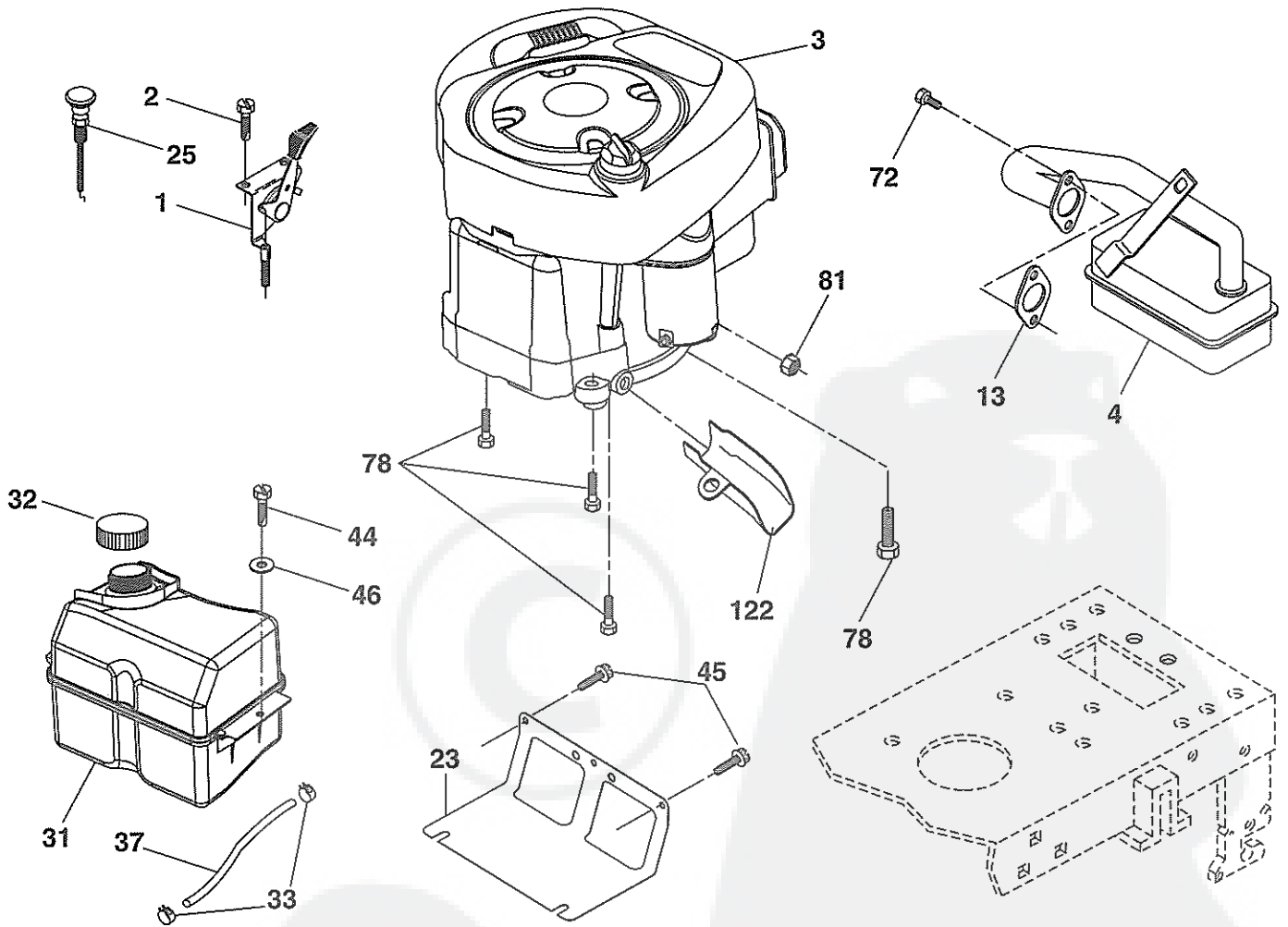
**TRACTOR- -MODEL NO. LZ125H97RB (96061034601), PRODUCT NO. 960 61 03-46  
DRIVE**

KEY NO.	PART NO.	DESCRIPTION	KEY NO.	PART NO.	DESCRIPTION
1	---	Transaxle Hydro Gear 321-0510 (170061)(Order parrs from transaxle manufacturer.)	120	873 90 06-00	Nut Lock Fig. 3/8-16 unc
8	532 19 27-06	Rod, Shift Fender Adjust LT	150	532 16 58-50	Bushing, Bellcrank Grnd Dr
9	532 40 85-79	Clutch Asm Noram	151	819 13 32-10	Washer 13/32 x 2 x 10 Ga.
10	876 02 04-16	Pin, Cotter 1/8 x 1	156	532 16 60-02	Washer Srrted 5/16 ID x 1.125
14	810 04 04-00	Washer, Lock Hvy Helical	158	532 43 74-58	Bracket Shift Mount
15	874 49 05-44	Bolt Hex FGHD 5/16-18 x Gr. 5	159	532 44 43-04	Hub Shift
16	873 80 05-00	Nut Lock Hex w/Ins 5/16-18 unc	161	872 14 04-06	Bolt Rdhd Sqnk 1/4-20 x 3/4 Gr. 5
19	873 80 06-00	Nut Lock Hex w/Ins 3/8-16 unc	162	873 68 04-00	Nut Crownlock 1/4-20 unc
21	532 10 69-33	Knob	163	874 78 04-16	Bolt Hex Fin 1/4-20 unc x 1 Gr. 5
22	532 17 56-07	Rod, Brake	165	532 43 82-50	Bracket Pivot Lever
24	873 35 06-00	Nut	166	817 49 05-10	Screw 5/16-18 x 5/8
25	532 19 20-36	Spring, Rod, Brake	167	532 16 55-88	Bracket Support Shift CRD
27	876 02 04-12	Pin, Cotter 1/8 x 3/4	168	532 16 54-92	Bolt Shoulder 5/16-18 x .561
28	532 17 57-65	Rod, Parking Brake	169	532 16 55-80	Plate Fastening Lt
29	532 07 16-73	Cap, Parking Brake	171	817 49 06-08	Screw Thdrol 3/8-16 x 1/2 Ty-Tt
30	532 16 95-92	Bracket, Mfg. Transaxle	172	532 17 02-71	Shaft Asm Shifter Frt CRD
34	532 17 55-78	Shaft, Asm Pedal Foot CRD	177	532 16 59-32	Keeper Flat Idler 3.06" CRD
35	532 12 01-83	Bearing, Nylon	181	532 18 02-11	Bracket Idler Ground Drive CRD
36	819 21 16-16	Washer 21/32 x 1 x 16 Ga.	182	532 18 26-82	Keeper Belt 2.5" Od V-Idler CRD
37	532 12 49-63	Pin, Roll 3/16 x 1"	183	532 19 95-34	Pulley V-Idler GRND DR
38	532 16 59-36	Pulley Flat Composite 3.06"	185	532 17 00-08	Link Shift
39	874 76 06-44	Bolt Fin Hex 3/8-16 unc x 2-3/4	186	532 16 56-14	Hub Tapered Round CRD
40	532 12 49-65	Spacer, Split 395 x 59 Bzp	187	817 58 05-20	Screw Thdrol 5/16-18 x 1.25
42	819 13 13-12	Washer 13/32 x 13/16 x 12 Ga.	197	532 16 96-13	Nyliner Snap-In 5/8
43	819 11 10-12	Washer 11/32 x 5/8 x 12 Ga.	199	532 16 96-12	Bolt Shoulder 5/16-18 unc
47	532 12 77-83	Pulley, Idler, V Groove Plastic	200	872 14 05-08	Bolt RDHD SQNK 5/16-18 x 1
48	532 15 44-07	Bellcrank Clutch Grnd Drv	203	871 17 07-80	Bolt Hex 7/16-20 x 5
49	532 12 32-05	Retainer, Belt Style Spring	207	532 16 98-45	Washer Nylon Rear
50	872 11 06-12	Bolt Carr. Sh. 3/8-16 x 1-1/2 Gr. 5	214	532 17 56-09	Shaft Asm. Brake
51	873 68 06-00	Nut, Crownlock 3/8-16 unc	215	532 17 56-52	Rod Brake Hydro
52	873 68 05-00	Nut, Crownlock 5/16-18	253	532 17 50-28	Bracket Cable Chassis
53	532 19 96-52	Link, Clutch 7.66	254	817 00 06-16	Screw 3/8-16 x 1
55	532 10 57-09	Spring, Return, Clutch	255	532 17 56-08	Brace Shaft Brake Mtg.
56	817 06 06-20	Screw 3/8-16 x 1-1/4	258	532 17 80-62	Clip Retainer
57	532 17 01-40	V-Belt Kev 112" 0650 CRD	259	532 18 02-12	Bracket Pulley
62	532 12 48-72	Cover, Pedal	261	532 13 14-94	Pulley Idler
65	810 04 07-00	Washer	262	872 11 06-22	Bolt Carr. 3/8-16 x 2-3/4 Gr .5
66	532 15 47-78	Keeper, Belt Engine F-Proof	263	817 00 06-12	Screw 3/8-16 x 3/4
71	532 16 91-83	Strap, Torque, LH	264	532 43 11-74	Bracket Idler
73	532 16 91-82	Strap, Torque, RH	265	532 42 69-13	Spacer Idler Chassis
74	532 13 70-57	Spacer, Split	266	532 18 20-61	Shield Idler Mower
75	532 12 17-49	Washer 25/32 x 1-1/4 x 16 Ga.	268	532 18 24-02	Guard Muffler
76	812 00 00-01	Ring, E	271	819 13 14-16	Washer 13/32 x 7/8 x 16 Ga.
77	532 12 35-83	Key, Square	275	819 13 16-14	Washer 13/32 x 1 x 14 Ga.
78	532 12 17-48	Washer 25/32 x 1-5/8 x 16 Ga.	292	532 40 02-71	Spacer
81	532 17 00-06	Asm, Shaft,Cross Rear	293	872 14 06-28	Bolt Carr. 3/8-16 x 3 1/2
82	532 16 57-11	Spring, Torsion	294	532 19 70-33	Nut Jam 3/8-16
83	819 17 12-16	Washer 17/32 x 3/4 x 16 Ga.	295	532 17 91-14	Pulley Idler
84	532 17 00-07	Link, Transaxle	297	817 49 06-10	Screw Hxwsh 3/8-16 X 5/8
95	532 17 00-15	Control Asm Bypass Hydro			
96	532 12 47-88	Spring, Retainer 1"			
112	819 09 12-10	Washer 9/32 x 3/4 x 10 Ga.			

**NOTE:** All component dimensions given in U.S. inches  
1 inch = 25.4 mm

# REPAIR PARTS

TRACTOR- -MODEL NO. LZ125H97RB (96061034601), PRODUCT NO. 960 61 03-46  
ENGINE



29

**OPTIONAL EQUIPMENT**  
**Spark Arrester**

engine-CRD\_bs\_20

# REPAIR PARTS

TRACTOR- -MODEL NO. LZ125H97RB (96061034601), PRODUCT NO. 960 61 03-46  
ENGINE

KEY NO.	PART NO.	DESCRIPTION
1	532 17 05-51	Control Throttle /Choke
2	817 72 04-08	Screw Hex Thd. Cut 1/4-20 x 5/8 T
3	- - - - -	Engine B&S Model 21R607-0011-H1 (585700201) (Order parts from engine manufacturer.)
4	532 17 97-58	Muffler Exhaust
13	532 16 52-91	Gasket
23	532 16 98-37	Shield Browning/Debris Guard
25	532 19 06-95	Control Choke
29	532 13 71-80	Arrester Spark
31	532 40 75-51	Tank Fuel
32	532 43 02-20	Cap Asm. Fuel Top
33	532 12 34-87	Clamp Hose Blk.
37	532 13 70-40	Line Fuel 20 "
44	817 67 04-12	Screw Hex. Wsh. Thdrol. 3/8-16 x 3/4
45	817 00 06-12	Screw 3/8-16 x 3/4
46	819 09 14-16	Washer 9/32 x 7/8 x 16 Ga.
72	532 19 23-34	Screw Socket Head 5/16-18 x .75
78	817 06 06-20	Screw 3/8-16 x 1-1/4
81	873 51 04-00	Nut Keps Hex 1/4-20 unc
122	532 42 19-22	Extension Drain Oil

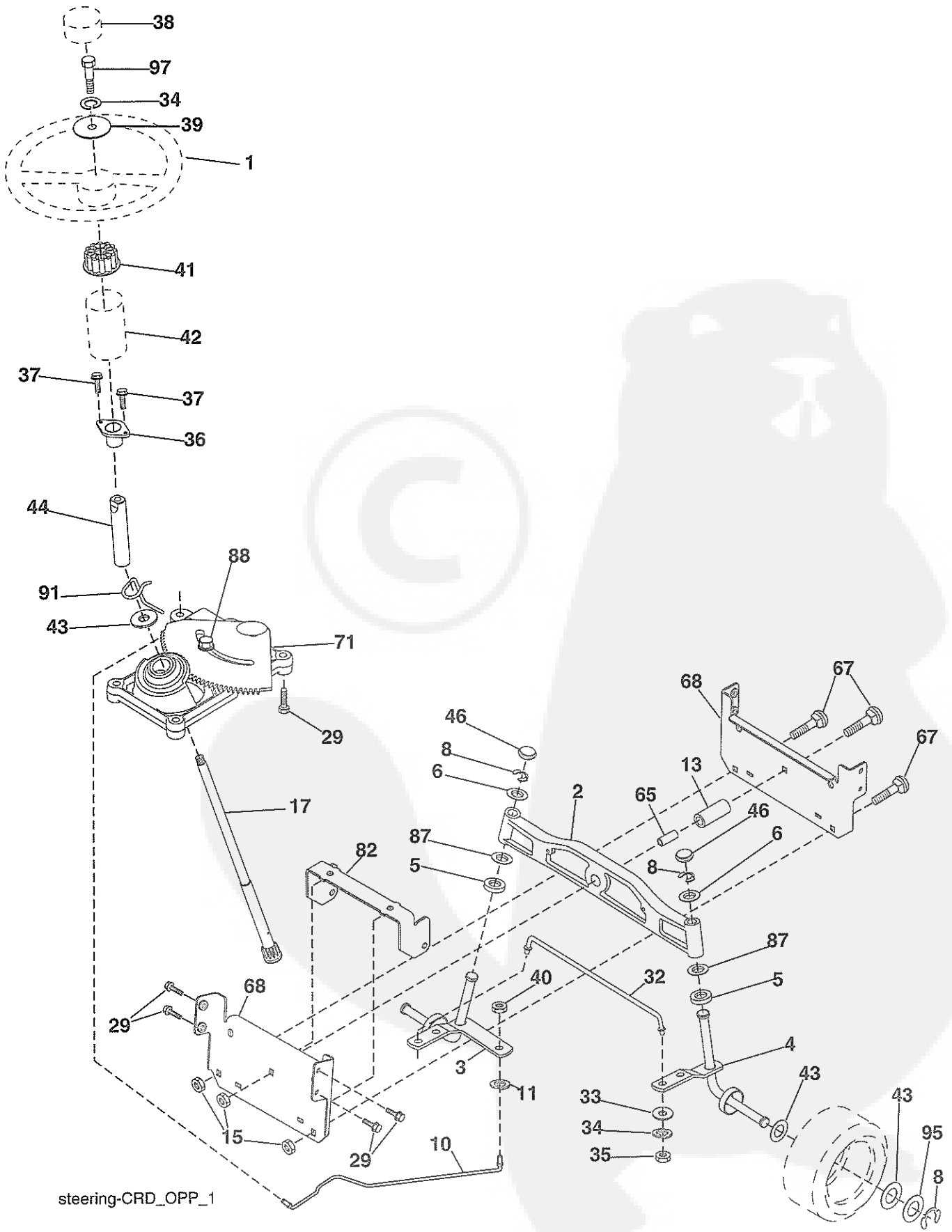
**NOTE:** All component dimensions given in U.S. inches  
1 inch = 25.4 mm

## Engine Power Rating Information

The gross power rating for individual gas engine models is labeled in accordance with SAE (Society of Automotive Engineers) code J1940 (Small Engine Power & Torque Rating Procedure), and rating performance has been obtained and corrected in accordance with SAE J1995 (Revision 2002-05). Torque values are derived at 3060 RPM; horsepower values are derived at 3600 RPM. Actual gross engine power will be lower and is affected by, among other things, ambient operating conditions and engine-to-engine variability. Given both the wide array of products on which engines are placed and the variety of environmental issues applicable to operating the equipment, the gas engine will not develop the rated gross power when used in a given piece of power equipment (actual "on-site" or net power). This difference is due to a variety of factors including, but not limited to, accessories (air cleaner, exhaust, charging, cooling, carburetor, fuel pump, etc.), application limitations, ambient operating conditions (temperature, humidity, altitude), and engine-to-engine variability. Due to manufacturing and capacity limitations, Briggs & Stratton may substitute an engine of higher rated power for this Series engine.

# REPAIR PARTS

TRACTOR- -MODEL NO. LZ125H97RB (96061034601), PRODUCT NO. 960 61 03-46  
STEERING ASSEMBLY



steering-CRD\_OPP\_1

# REPAIR PARTS

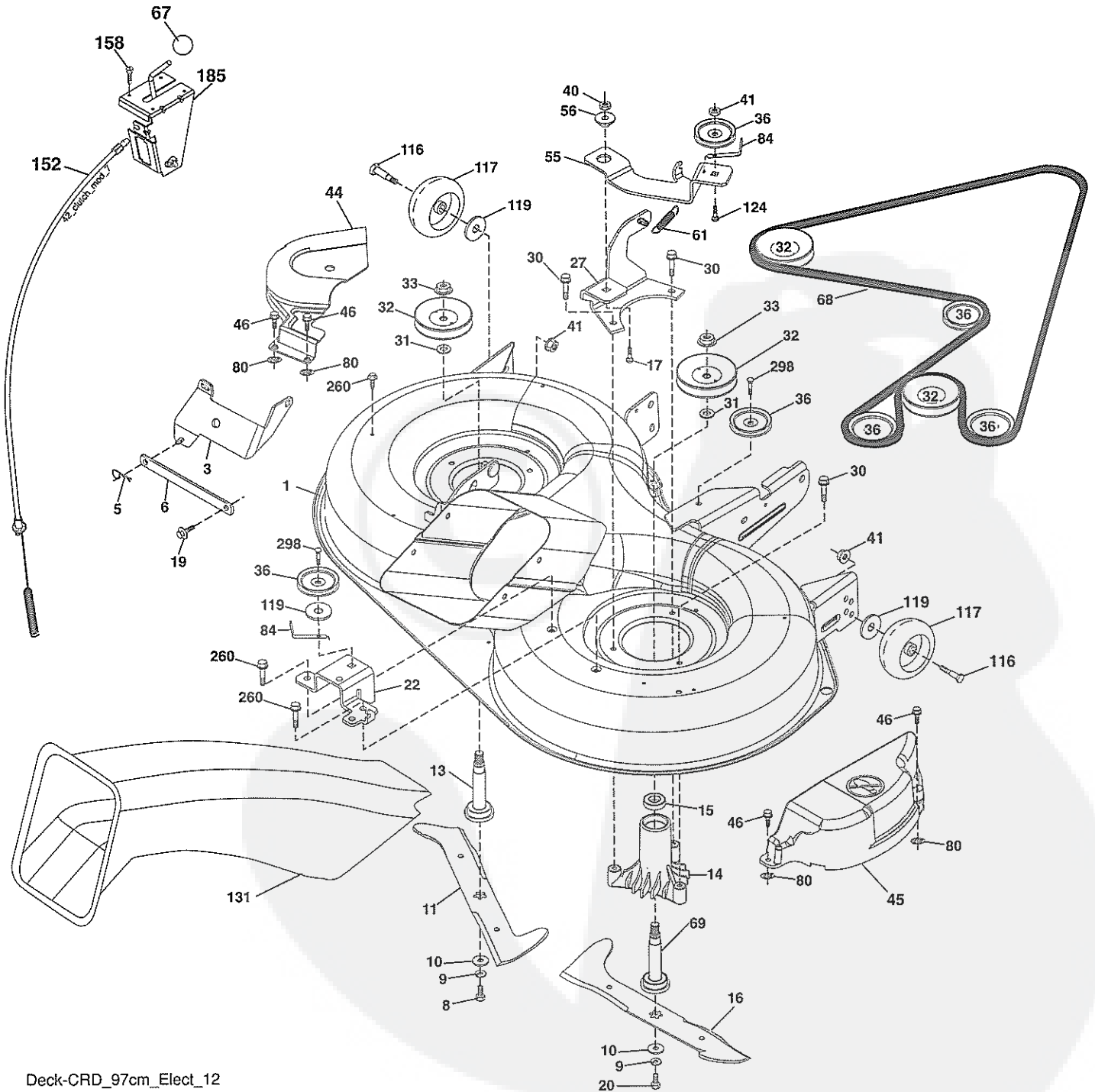
TRACTOR- -MODEL NO. LZ125H97RB (96061034601), PRODUCT NO. 960 61 03-46  
STEERING ASSEMBLY

KEY NO.	PART NO.	DESCRIPTION
1	532 18 67-80	Steering Wheel
2	532 18 47-06	Cast Iron Axle Assembly
3	532 16 98-40	Spindle Assembly, L.H.
4	532 16 98-39	Spindle Assembly, R.H.
5	532 12 49-31	Washer Thrust .75 x 1.230
6	532 12 17-48	Washer 25/32 x 1-5/8 x 16 Ga.
8	812 00 00-29	Ring, Clip
10	532 17 51-21	Link, Drag
11	810 04 06-00	Washer, Lock
13	532 13 65-18	Spacer Brg. Axle Front
15	873 90 06-00	Nut, Lock Fig. 3/8-16
17	532 19 07-53	Shaft, Steering
29	817 00 06-12	Screw, 3/8-16 x 3/4
32	532 17 01-62	Rod, Tie
33	819 11 12-16	Washer 11/32 x 3/4 x 16 Ga.
34	810 04 05-00	Washer Lock Hvy. Hlcl. Spr. 5/16
35	873 54 05-00	Nut Crownlock 5/16-24 unf
36	532 15 50-99	Bushing, Steering
37	532 15 29-27	Screw TT #10-32 x 5 x 3/8 Flange
38	532 19 29-16	Cap Wheel Steer
39	819 11 38-12	Washer 11/32 x 2-3/8 x 12 Ga.
40	873 54 06-00	Nut Crownlock 3/8-24
41	532 18 67-37	Adaptor, Steering Wheel
42	532 16 96-33	Boot, Steering Dash P/L Mtl.
43	532 12 17-49	Washer 25/32 x 1-1/4 x 16 Ga.
44	532 19 07-52	Extension Steering
46	532 12 12-32	Cap, Spindle
65	532 41 47-36	Spacer Brace Axle
67	872 11 06-18	Bolt Rdhd. Sq. 3/8-16 unc x 2-1/4
71	532 17 51-46	Steering Asm.
68	532 16 98-27	Brace Axle
82	532 19 99-78	Bracket Susp. Chassis Front
87	532 17 39-66	Washer Flat .781 x 1-1/2 x .14
88	532 17 51-18	Bolt Shoulder 7/16-20 unc
91	532 17 55-53	Clip Steering
95	532 18 89-67	Washer Harden .793 x 1.637 x .060
97	532 42 89-82	Bolt Fin Hx 5/16-18 x 4

**NOTE:** All component dimensions given in U.S. inches.  
1 inch = 25.4 mm.

# REPAIR PARTS

TRACTOR- -MODEL NO. LZ125H97RB (96061034601), PRODUCT NO. 960 61 03-46  
MOWER



Deck-CRD\_97cm\_Elect\_12

# REPAIR PARTS

TRACTOR- -MODEL NO. LZ125H97RB (96061034601), PRODUCT NO. 960 61 03-46  
MOWER

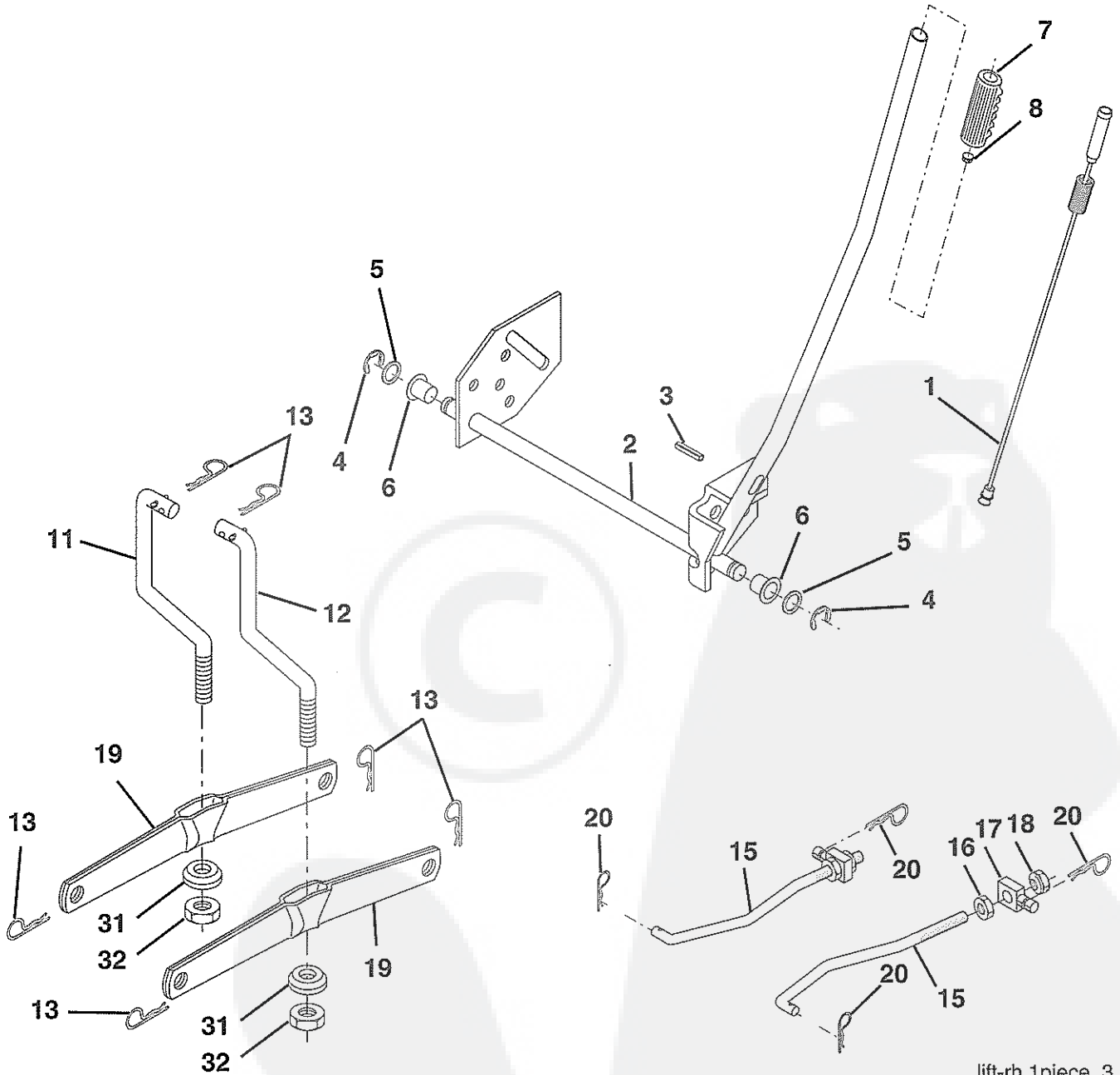
KEY NO.	PART NO.	DESCRIPTION	KEY NO.	PART NO.	DESCRIPTION
1	532 42 91-21	Housing Asm. Mower	67	532 10 69-32	Knob Rd 3/8-16
3	532 43 18-64	Bracket Asm. S-Bar Chass	68	532 42 95-32	Drive Belt
5	532 12 46-70	Retainer Spring	69	532 16 54-82	Shaft Asm w/Lwr Brg RH Thd
6	532 16 55-57	Bar Sway	80	532 42 30-62	Palnut 1/4"
8	532 18 17-12	Bolt 3/8-24 x 1.25 Gr. 8 Patched	84	532 15 60-85	Keeper Belt Idler
9	810 03 06-00	Washer Lock Hvy 3/8 Unplated	116	532 19 34-06	Bolt Shoulder
10	532 14 02-96	Washer Hard Blade Mower Vented	117	532 17 48-73	Wheel Gauge
11	532 42 79-84	Blade 3-1 LH	119	819 13 20-12	Washer 13/32 x 1-1/4 x 12 Ga.
13	532 13 76-45	Shaft Asm. w/Lower Bearing	124	872 11 06-12	Bolt Carr Sh 3/8-16 x 1-1/2 Gr. 5
14	532 12 87-74	Housing Mandrel Vented (Machd)	131	532 16 56-61	Chute Bagger
15	532 11 04-85	Bearing Ball Mandrel	152	532 17 60-74	Cable Clutch CRD
16	532 42 79-85	Blade 3-1 RH	158	817 72 04-08	Screw Hex Thd Cut 1/4-20 x 1/2
17	872 14 06-10	Bolt Carriage 3/8-16 x 1-1/4	185	532 18 82-34	Head Asm Cable Clutch
19	532 13 28-27	Bolt Shoulder 5/16-18 Thd Form	260	817 67 06-08	Screw 3/8-16 x 1/2
20	532 18 17-13	Bolt 3/8-24 x 1.25 Gr. 8 Ptch Lhthd	298	817 49 06-28	Screw 3/8-16 x 1-3/4
22	532 43 11-69	Bracket Idler Sprt Rear RH	--	532 18 18-57	Mandrel Assembly (Includes housing (key #14), shaft assembly (key #13), and bearing (key #15) only - pulley/nut/washer and blade bolt/washers not included)
27	532 42 79-81	Bracket Asm. Susp. Rear RH			
30	532 17 39-84	Screw Thd Rolling			
31	532 18 76-90	Washer Spacer Mower Vented			
32	532 15 35-32	Mandrel Pulleys			
33	532 40 02-34	Nut Flg Top Lock	--	532 18 18-58	Mandrel Asm CRD LH Threads SVC
36	532 14 67-63	Pulley Idler V-Groove Dim 4.25	--	532 43 15-80	Replacement Mower, Complete (Std. Deck - Order separately gauge wheel components key nos. 116-119)
40	873 68 06-00	Nut Crownlock 3/8-16 unc			
41	873 90 06-00	Nut Lock Flg. 3/8-16 unc			
44	532 43 11-70	Cover Mandrel LH			
45	532 44 89-68	Cover Mandrel RH			
46	532 13 77-29	Screw Thdrol 1/4-20 x 5/8			
55	532 19 94-98	Arm Idler			
56	532 16 57-23	Spacer Retainer Mower			
61	532 19 94-86	Spring Tension Belt			

**NOTE:** All component dimensions given in U.S. inches.  
1 inch = 25.4 mm

# REPAIR PARTS

TRACTOR- -MODEL NO. LZ125H97RB (96061034601), PRODUCT NO. 960 61 03-46

## MOWER LIFT



lift-rh.1piece\_3

KEY NO.	PART NO.	DESCRIPTION
1	585 14 77-02	Plunger Asm. Lift Lever
2	585 14 76-02	Shaft Asm. Lift
3	532 18 88-22	Pin Groove
4	812 00 00-02	E Ring #5133-62
5	819 21 16-21	Washer 21/32 x 1 x 21 Ga.
6	532 12 01-83	Bearing Nylon
7	532 10 94-13	Grip Handle Bicycle
8	532 12 45-26	Button Plunger Black
11	532 13 98-65	Link Asm. Lift L.H.
12	532 13 98-66	Link Asm. Lift R.H.
13	532 12 46-70	Retainer Spring
15	532 17 32-88	Link Front

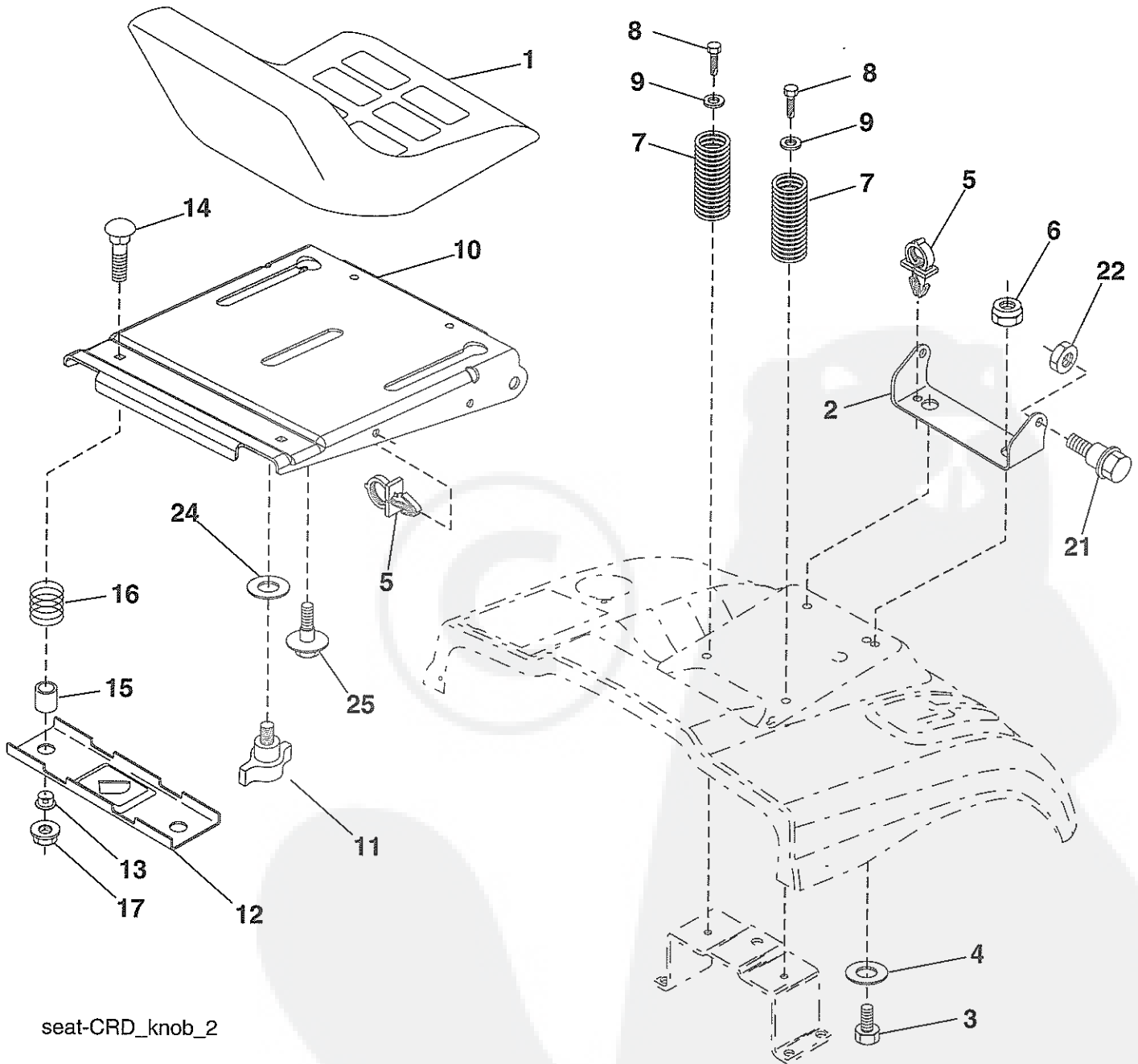
KEY NO.	PART NO.	DESCRIPTION
16	873 35 08-00	Nut Jam Hex 1/2-13 unc
17	532 17 56-89	Trunnion Blk. Zinc
18	873 80 08-00	Nut Lock w/Wsh. 1/2-13 unc
19	532 13 98-68	Arm Suspension Mower
20	532 19 42-09	Retainer Spring
31	532 16 98-65	Bearing, Pvt. Lift.
32	873 54 06-00	Nut Crownlock 3/8-24

**NOTE:** All component dimensions given in U.S. inches  
1 inch = 25.4 mm



# REPAIR PARTS

TRACTOR- -MODEL NO. LZ125H97RB (96061034601), PRODUCT NO. 960 61 03-46  
SEAT ASSEMBLY



seat-CRD\_knob\_2

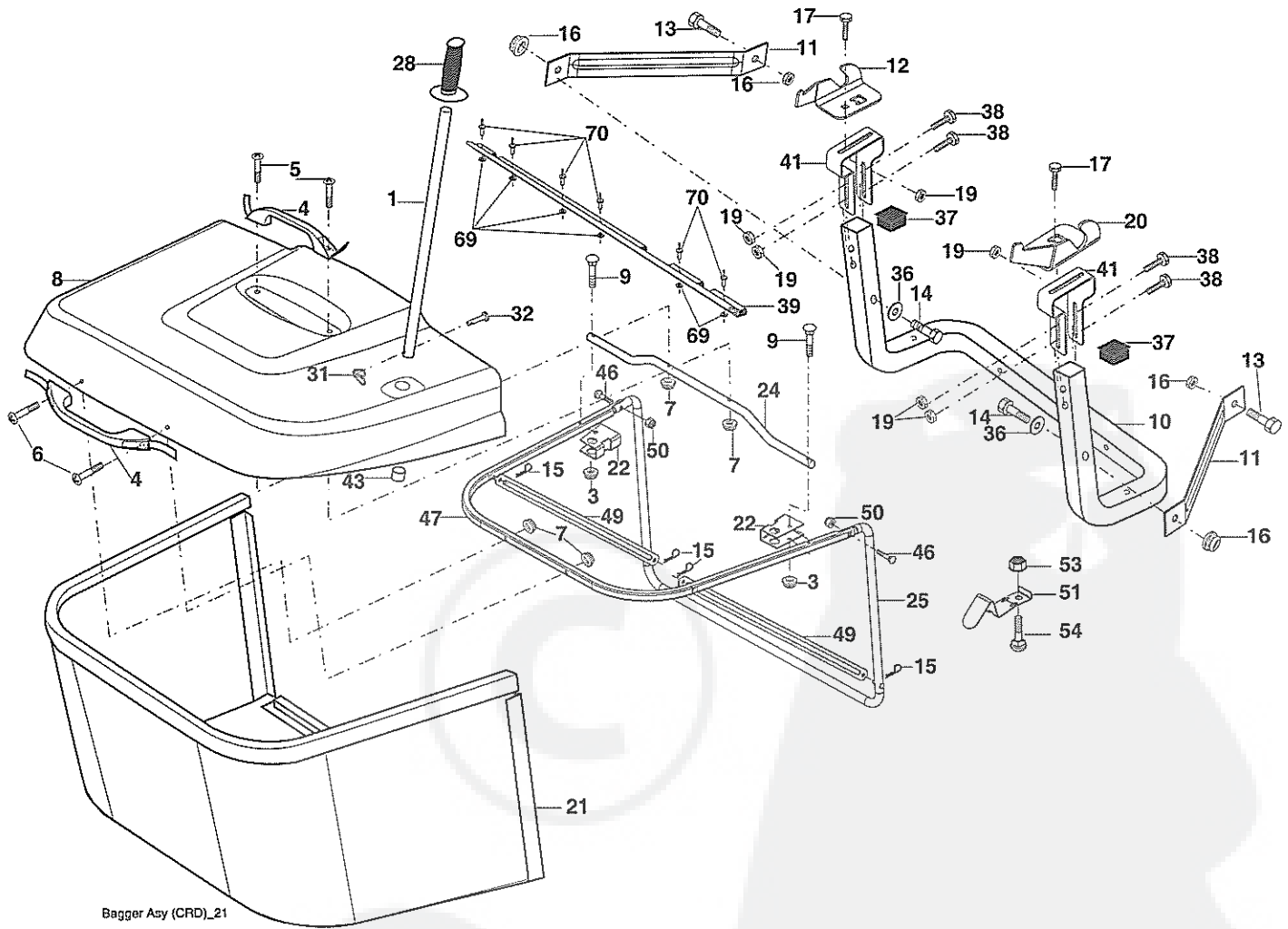
KEY NO.	PART NO.	DESCRIPTION
1	532 18 87-13	Seat
2	532 14 05-51	Bracket Pnt Pivot Seat (blk.)
3	871 11 06-16	Bolt Fin Hex 3/8-16 unc x 1
4	819 13 16-10	Washer Flat 13/32 x 1 x 10 Ga.
5	532 14 50-06	Clip Push In Hinged
6	873 80 06-00	Nut Lock Hex 3/8-16 unc
7	532 12 41-81	Spring Seat Cprsn. 2 250 Blk. Zi
8	817 00 06-16	Screw 3/8-16 x 1-1/2
9	819 13 16-14	Washer 13/32 x 1 x 14 Ga.
10	532 19 55-30	Pan Pnt. Seat (blk.)
11	532 16 63-69	Knob Seat
12	532 17 46-48	Bracket Pnt. Mounting Switch

KEY NO.	PART NO.	DESCRIPTION
13	532 12 12-48	Bushing Snap Blk. Nyl. 50 Id
14	872 05 04-12	Bolt Rdhd. Sht. Nk. 1/4-20 x 1-1/2
15	532 13 43-00	Spacer Split
16	532 12 12-50	Spring Cprsn. Plate SW 1.3 10 Ga.
17	532 12 39-76	Nut Lock 1/4 Lge. Fig. Gr. 5 Zinc
21	532 17 18-52	Bolt Shoulder 5/16-18 unc-2A
22	873 80 05-00	Nut Hex Lock w/Ins. 5/16-18
24	819 17 19-12	Washer 17/32 x 1-3/16 x 12 Ga.
25	532 12 70-18	Bolt Shoulder 5/16-18 x 62

NOTE: All component dimensions given in U.S. inches.  
1 inch = 25.4 mm

# REPAIR PARTS

TRACTOR- -MODEL NO. LZ125H97RB (96061034601), PRODUCT NO. 960 61 03-46  
BAGGER



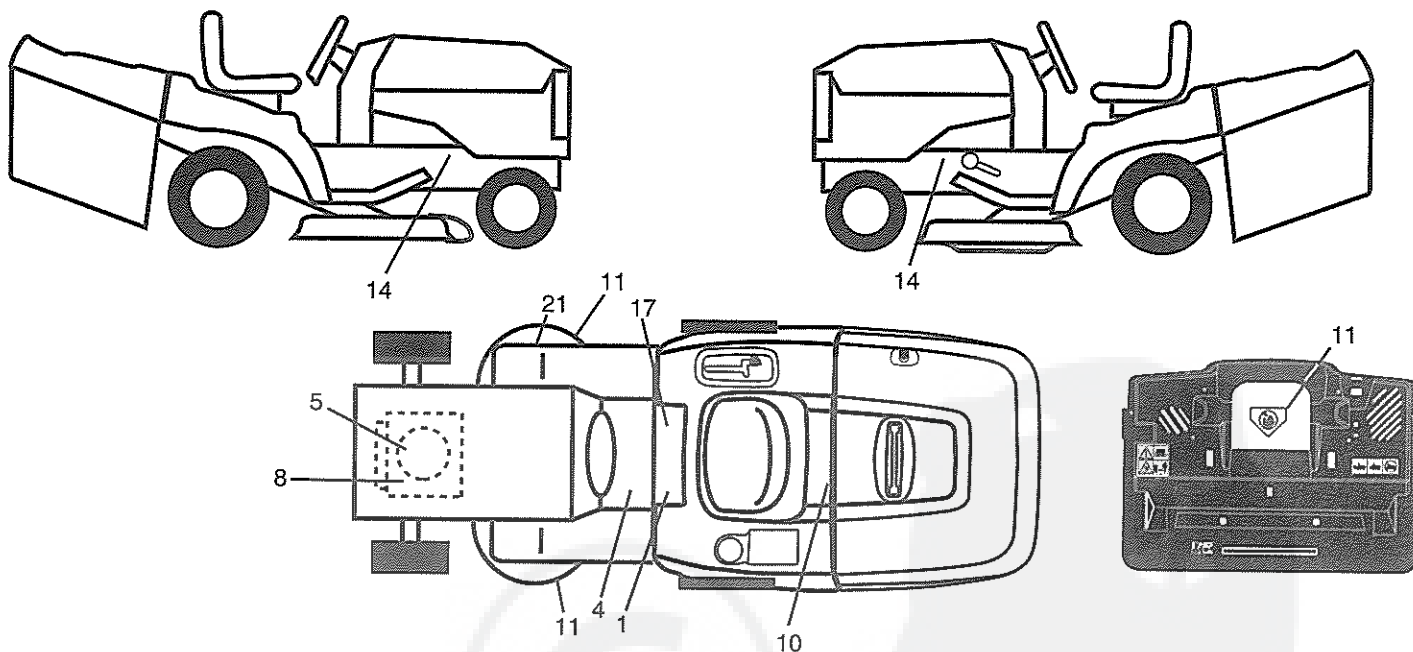
Bagger Asy (CRD)\_21

KEY NO.	PART NO.	DESCRIPTION	KEY NO.	PART NO.	DESCRIPTION
1	532 42 86-10	Tube Handle Bagger CRD	28	532 16 57-87	Grip Handle Black
3	532 12 39-76	Nut Lock 1/4 Lge. Flg. Gr. 5 Zinc	31	532 16 94-84	Retainer Clip
4	532 16 99-16	Handle Bagger w/Lvrs. Gr. 5 Zinc	32	532 12 68-75	Rivet Rd. Hd. Drilled 3/8 Dia.
5	874 98 10-24	Screw Pan Head #10-24 x 1.50 Blk.	36	819 13 20-12	Washer 13/32 x 1-1/4 x 12 Ga.
6	874 98 10-32	Screw Pan Head	37	532 44 48-48	Plug Support Bagger CRD
7	873 40 10-00	Nut Wiz Lock Hex Serr/Hd. #10-24	38	872 01 05-20	Bolt 5/16-18 x 2-1/2
8	532 44 15-36	Cover Bagger Steel	39	532 41 62-57	Seal Trim 37"
9	872 14 04-18	Bolt Carriage 1/4-20 x 2.25d x Gr. 5	41	532 43 27-55	Bracket Bagger CRD
10	532 18 12-82	Tube Support Bagger CRD	43	532 17 40-83	Plug Tubing End
11	532 16 57-19	Bracket Support Upper Bag CRD	46	872 11 05-10	Bolt Carr. 5/16-18 x 1-1/4 Gr. 5
12	532 18 88-48	Bracket Pivot LH	47	532 19 37-04	Tube Upper Bagger
13	874 76 06-12	Bolt Hex 3/8-16 unc x 3/4	49	532 19 33-05	Spreader Bar Bagger
14	874 52 06-36	Bolt Fin Hex 3/8-16 x 2-1/4 Gr. 5	50	873 80 05-00	Nut Lock Hex W/Insert 5/16-18 unc
15	532 12 46-70	Retainer Spring	51	532 19 99-03	Latch Spring
16	873 90 06-00	Nut Latch Flg. 3/8-16 unc	53	873 51 04-00	Nut Keps Hex 1/4-20 unc
17	872 14 05-06	Bolt Rdhd. Sht. Sqnk. 5/16-18uncx3/4	54	872 14 04-06	Bolt Rdhd. Sqnk. 1/4-20 x 3/4 Gr. 5
19	873 90 05-00	Nut Lock Hex Flange 5/16-18	69	532 43 56-11	Washer .125
20	532 18 88-47	Bracket Pivot RH	70	532 43 56-03	Rivet Pop .125 x .750
21	532 40 61-80	Bag Asm. CRD			
22	532 42 82-36	Bracket Side Bagger CRD			
24	532 16 57-83	Tube Pivot Bagger CRD			
25	532 19 37-05	Tube Front Bagger CRD			

**NOTE:** All component dimensions given in U.S. inches  
1 inch = 25.4 mm

# REPAIR PARTS

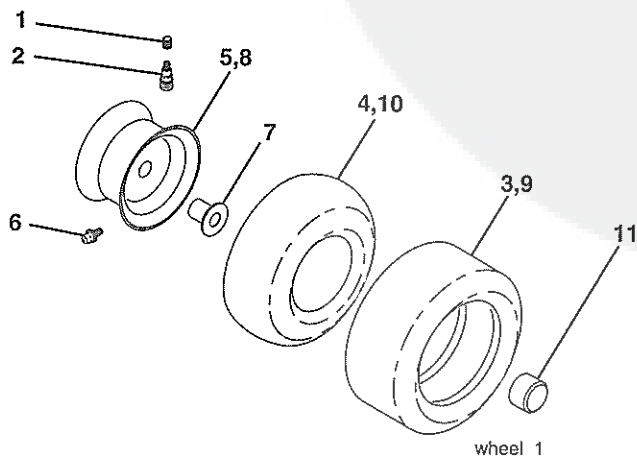
TRACTOR- -MODEL NO. LZ125H97RB (96061034601), PRODUCT NO. 960 61 03-46  
DECALS



KEY NO.	PART NO.	DESCRIPTION
1	581 57 81-01	Decal, Warning Syms. CE
4	581 72 40-01	Decal, Parking Brake Saddle
5	581 57 97-01	Decal, Warning Eng. Symbols
8	585 55 44-01	Decal, Engine HP
10	532 14 50-05	Decal, Bat. Dan./Poi. P/L Sym. Wpn.
11	581 57 91-01	Decal, Mower Cut Finger Symbol
14	581 57 96-01	Decal, Chassis Hot Muffler
17	581 75 80-01	Decal, Saddle Brake Parking

KEY NO.	PART NO.	DESCRIPTION
21	581 58 00-05	Decal, Hex Belt Sch. 92 CRD
--	581 72 49-01	Decal, Lift Handle
--	532 18 10-91	Pad Footrest LH
--	532 18 10-90	Pad Footrest RH
--	581 72 48-01	Decal Bypass
--	586 24 51-40	Manual Operator's (Euro)
--	586 24 51-26	Manual Parts

## WHEELS & TIRES



KEY NO.	PART NO.	DESCRIPTION
1	532 05 91-92	Cap Valve Tire
2	532 06 51-39	Stem Valve
3	532 10 62-22	Tire Front 15 x 6-6
4	532 05 99-04	Tube Inner Front #35060
5	532 18 33-37	Rim Asm. 6" Front
6	532 12 49-57	Fitting Grease
7	532 12 49-59	Bearing Flange
8	532 18 33-38	Rim Asm. 8" Rear
9	532 12 20-82	Tire Rear 20 x 10-8
10	532 12 49-26	Tube Rear 9.5 x 8
11	532 17 50-39	Cap Axle Blk. 1.50 x 1.00
--	532 14 43-34	Sealant, Tire (10 oz. tube)

**NOTE:** All component dimensions given in U.S. inches  
1 inch = 25.4 mm

