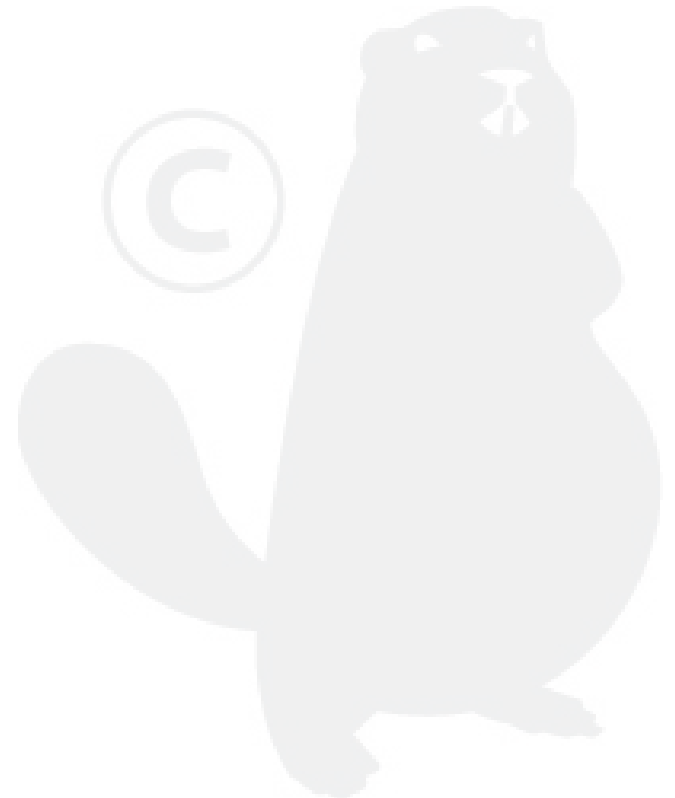
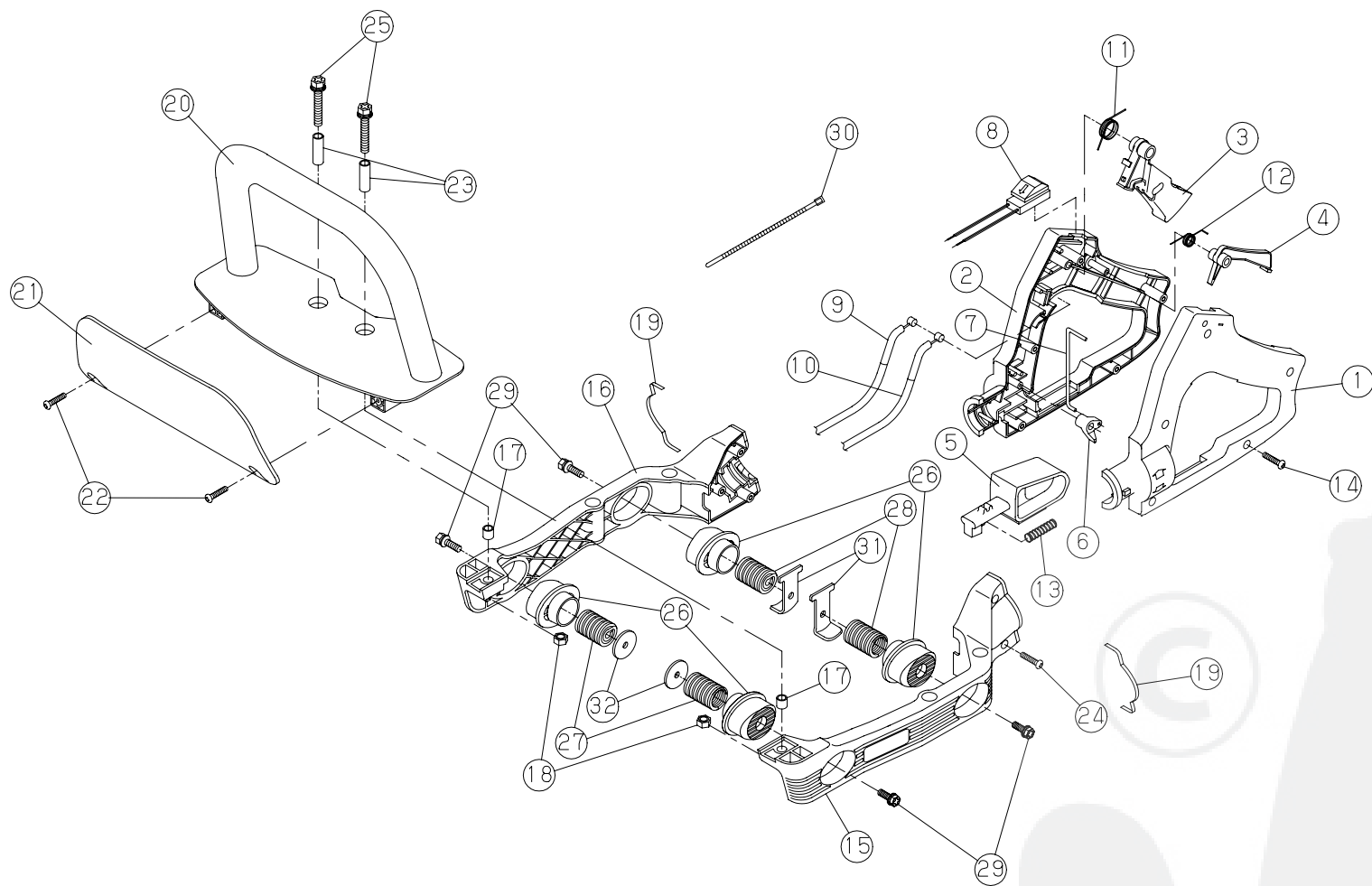


得意先	仕向先	基本仕様
マルナカ	欧州	E8F-600
得意先型式名称	得意先品番	落合型式品番
HFX600DT-DELUXE		TE8F0603D10

MODEL : HEDGE TRIMMER MODEL HFX600DT-DELUXE			VER.1.1 SEP.2006	
REF.NO.	PARTS CODE	DESCRIPTION	QUANTITY	PRICE(EX-WORKS) IN JAPANESE YEN
EXPLODED-VIEWS NO.1 FRAME AND BLADES PART				
1	TE1-A041000	CLUTCH CASE	1	
2	K054-050160	UPSET P2 M5X16	4	
3	TE5-A005000	CRANKCASE UPPER	1	
4	136-141	CLUTCH DRUM	1	
5	TE1-A042000	PINION GEAR R	1	
6	TE1-A045000	ROD SLIDE PLATE	2	
7	K354-060010	DEEP GROVE BALL BEARING UU 6001	1	
8	K353-006080	DEEP BALL BEARING ZZ 608	3	
9	R055-000100	GREASE NIPPLE	1	
10	K010-030050	PAN SMALL SCREW M3X5	4	
11	TE5-A006000	CRANKCASE LOWER	1	
12	TE1-A043000	CRANKGEAR ASSY	1	
13	TE1-A044000	ROD	2	
14	A286-112004	FELT	1	
15	TE1-A046000	RETAINER PLATE	1	
16	TE4-B330600	BLADE ASSY	2	
17	A287-110002	PLATE GUARD	1	
18	A325-103004	CENTER REST	1	
19	K283-026000	C SHAPE SNAP STW 26	1	
20	K054-050160	UPSET P2 M5X16	6	
21	A040-002009	BRADE SLIDE SCREW L=19	3	
22	G040-005000	BRADE SLIDE SCREW L=26	1	
23	K164-060000	U SCREW NUT M6	4	
24	008-250	BRADE SLIDE WASHER	4	
25	K055-05016W	UPSET P3 M5X16(WITH BOND)	1	
26	TE1-A047010	BRAKE LEVER R	1	
27	TE1-A048000	BRAKE BAND R ASSY	1	
28	K274-04014W	SPRING PIN 4.0X14	1	
29	K012-040100	TRUSS SMALL SCREW M4X10	1	
30	TE1-A049000	ADJUST BOLT	1	
31	TE1-A055000	SMALL HEXAGON NUT M6	2	
32	G001-000180	SPRING 1.0 10 33	1	
33	A028-002039	BLADE COVER	1	
34	TE1-A059000	FRONT STOPPER	1	





得意先	仕向先	基本仕様
マルナカ	欧州	E8F-600
得意先型式名称	得意先品番	落合型式品番
HFX600DT-DELUXE		TE8F0603D10

