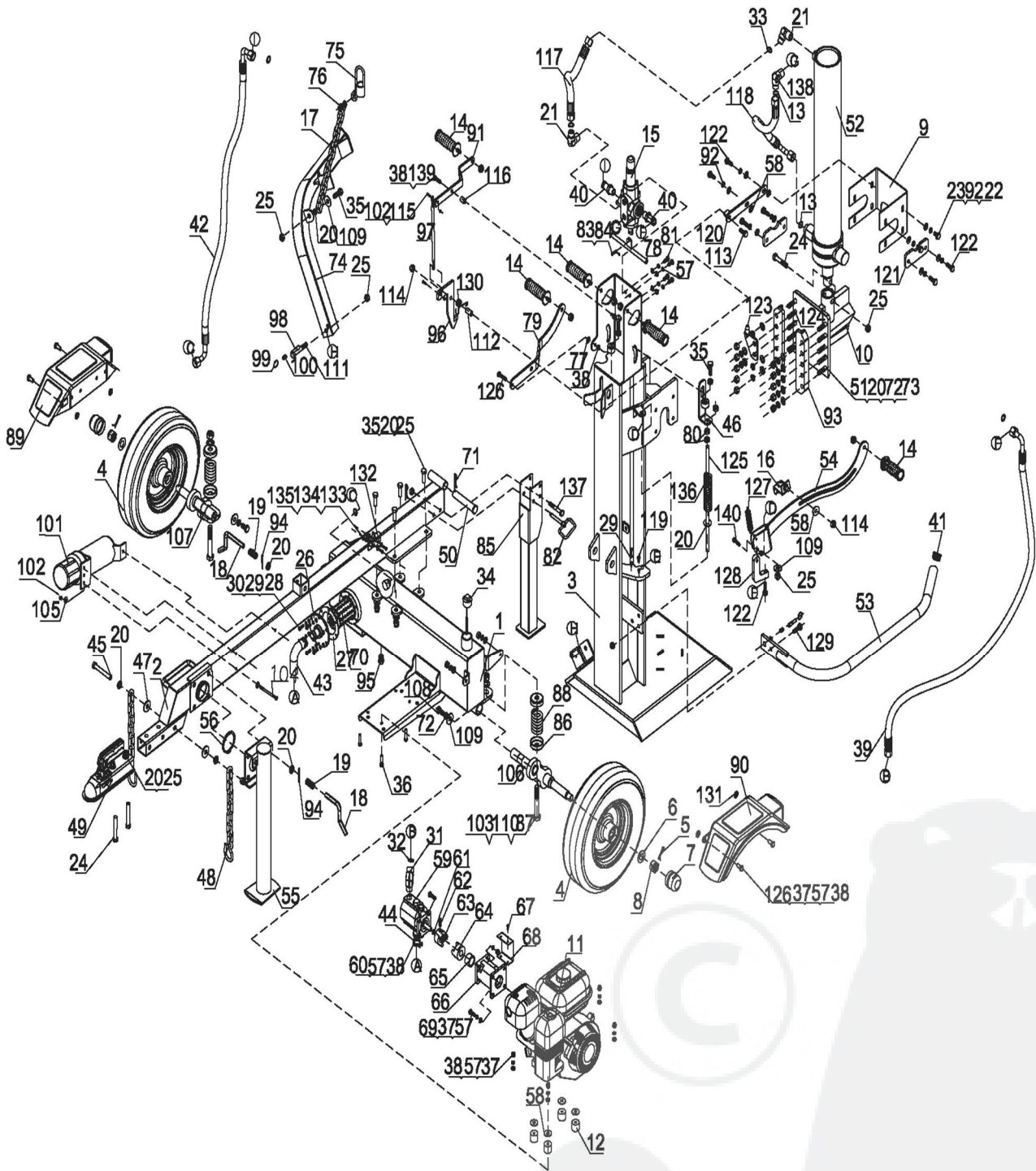


XLZLSE22V



XLZLSE22V

SP Ref#	Eurogarden Ref# (Correct)	Description	Qty/PC
LSE2203-1		Hydraulic Reservoir	1
LSE2203-2		Tow Bar Assembly	1
LSE2203-3		Beam	1
LSE2203-4		Wheel Assembly	2
LSE2203-5		Cotter Pin Ø4x36	2
LSE2203-6		Flat Washer Ø20	2
LSE2203-7		Axle Cap	2
LSE2203-8		Thin Hex Slotted Nut M20x1.5	2
LSE2203-9		Cylinder Cover	1
LSE2203-10		Wedge	1
LSE2203-11		Engine	1
LSE2203-12		Polyurethane Block	4
LSE2203-13		O Ring Ø16x2.5	2
LSE2203-14		Plastic Handle	5
LSE2203-15		Control Valve	1
LSE2203-16		Presser Foot	1
LSE2203-17		Chain	1
LSE2203-18		Safety Pin	2
LSE2203-19		Spring	2
LSE2203-20		Flat Washer Ø12	22
LSE2203-21		Angle Connector	2
LSE2203-22		Flat Washer Ø10	8
LSE2203-23		Hex Bolt M10x25	2
LSE2203-24		Hex Bolt M12x70	3
LSE2203-25		Hex Lock Nut M12	13
LSE2203-26		Filter Mounting Plate	1
LSE2203-27		Rubber Washer	1
LSE2203-28		Flat Washer Ø6	6
LSE2203-29		Lock Washer Ø6	6
LSE2203-30		Hex Bolt M6x20	6
LSE2203-31		130° Joint Connector	1
LSE2203-32		O Ring Ø14x2.5	4
LSE2203-33		O Ring Ø11.2x2.5	2
LSE2203-34		Oil Bolt	1
LSE2203-35		Hex Bolt M12x35	7
LSE2203-36		Hex Bolt M8x65	4
LSE2203-37		Flat Washer Ø8	16
LSE2203-38		Hex Lock Nut M8	15
LSE2203-39		Hydraulic Hose (Valve-Gear Pump)	1
LSE2203-40		Extension Connector	2
LSE2203-41		Plastic Plug	1
LSE2203-42		Hydraulic Hose (Valve-Hydraulic Reservoir)	1
LSE2203-43		Clear Oil Pipe	1
LSE2203-44		Clamp	2
LSE2203-45		Hex Bolt M12x90	1

XLZLSE22V

LSE2203-46		Pressure Link Plate	1
LSE2203-47		Thick Washer	2
LSE2203-48		Chain	2
LSE2203-49		50mm Coupler	1
LSE2203-50		Hitch Pin	1
LSE2203-51		Slotted Head Screw M12x55	8
LSE2203-52		Cylinder	1
LSE2203-53		Log Cradle	1
LSE2203-54		Split Control Handle B	1
LSE2203-55		Front Support Leg	1
LSE2203-56		Circlip for Shaft Ø62	1
LSE2203-57		Lock Washer Ø8	20
LSE2203-58		Large Flat Washer Ø10	9
LSE2203-59		Gear Pump	1
LSE2203-60		Hex Bolt M8x30	4
LSE2203-61		Steel Wire Snap Ring for Shaft	1
LSE2203-62		Inner Hex Eng Set Screw M6x10	1
LSE2203-63		Gear Pump Coupler	1
LSE2203-64		Engine Coupler	1
LSE2203-65		Engine Bushing	1
LSE2203-66		Gear Pump Stand	1
LSE2203-67		Hex Bolt M5x10	4
LSE2203-68		Coupler Cover	1
LSE2203-69		Hex Bolt M8x25	4
LSE2203-70		Filter	1
LSE2203-71		R Pin	2
LSE2203-72		Lock Washer Ø12	12
LSE2203-73		Thick Nut M12	10
LSE2203-74		Lifting Bracket	1
LSE2203-75		Hook	1
LSE2203-76		Bow Shackle 1/4"	1
LSE2203-77		Nylon Pad	1
LSE2203-78		Connecting Pipe	1
LSE2203-79		Split Control Handle A	1
LSE2203-80		Hex Nut M12	3
LSE2203-81		Hex Screw M8x16	4
LSE2203-82		Hex Nut M8	1
LSE2203-83		Hinge Pin	1
LSE2203-84		Cotter Pin Ø2x10	1
LSE2203-85		Rear Support Leg	1
LSE2203-86		Spring Seat	4
LSE2203-87		Hex Bolt M16x110	2
LSE2203-88		Pressure Spring	2
LSE2203-89		Left Fender	1
LSE2203-90		Right Fender	1
LSE2203-91		Lifting Bracket Release Handle C	1
LSE2203-92		Lock Washer Ø10	8

XLZLSE22V

LSE2203-93		Wedge Slide	2
LSE2203-94		Cotter Pin Ø3x30	2
LSE2203-95		Oil Plug	1
LSE2203-96		Hook	1
LSE2203-97		Connecting Rod	1
LSE2203-98		Pawl (B)	2
LSE2203-99		Key Ring	2
LSE2203-100		Spring B	2
LSE2203-101		Manual Canister	1
LSE2203-102		Nylon Lock Nut M6	5
LSE2203-103		Nylon Lock Nut M16	2
LSE2203-104		Hex Bolt M6x65	3
LSE2203-105		Large Flat Washer Ø6	6
LSE2203-106		Left Axle	1
LSE2203-107		Right Axle	1
LSE2203-108		Hex Bolt M12X25	2
LSE2203-109		Large Flat Washer Ø12	4
LSE2203-110		Flat Washer Ø16	2
LSE2203-111		Hex Bolt M12x75	1
LSE2203-112		Axle Sleeve	1
LSE2203-113		Hex Bolt M10x55	1
LSE2203-114		Hex Lock Nut M10	9
LSE2203-115		Hex Bolt M6x16	2
LSE2203-116		Bushing	1
LSE2203-117		High Pressure Hose B	1
LSE2203-118		High Pressure Hose A	1
LSE2203-119		Hex Socket Head Screw M6x12	2
LSE2203-120		Connecting Rod A	1
LSE2203-121		Cylinder Limit Block	2
LSE2203-122		Hex Bolt M10x30	7
LSE2203-123		Chain Hoist	1
LSE2203-124		Slotted Head Screw M12x60	2
LSE2203-125		Threaded Rod	1
LSE2203-126		Hex Bolt M8x25	5
LSE2203-127		Tension Spring	1
LSE2203-128		Rotating Seat	1
LSE2203-129		Hex Bolt M10x35	1
LSE2203-130		Torsional Spring	1
LSE2203-131		Rubber Washer 2	4
LSE2203-132		Electric Breaking Switch	1
LSE2203-133		Screw M4x30	2
LSE2203-134		Flat Washer Ø4	4
LSE2203-135		Hex Lock Nut M4	2
LSE2203-136		Pressure Spring	1
LSE2203-137		Hex Bolt M10x70	1
LSE2203-138		Angle Connector	1
LSE2203-139		Hex Bolt M8x40	1
LSE2203-140		Hex Bolt M8x35	1



This document was created with the Win2PDF "print to PDF" printer available at <http://www.win2pdf.com>

This version of Win2PDF 10 is for evaluation and non-commercial use only.

This page will not be added after purchasing Win2PDF.

<http://www.win2pdf.com/purchase/>

