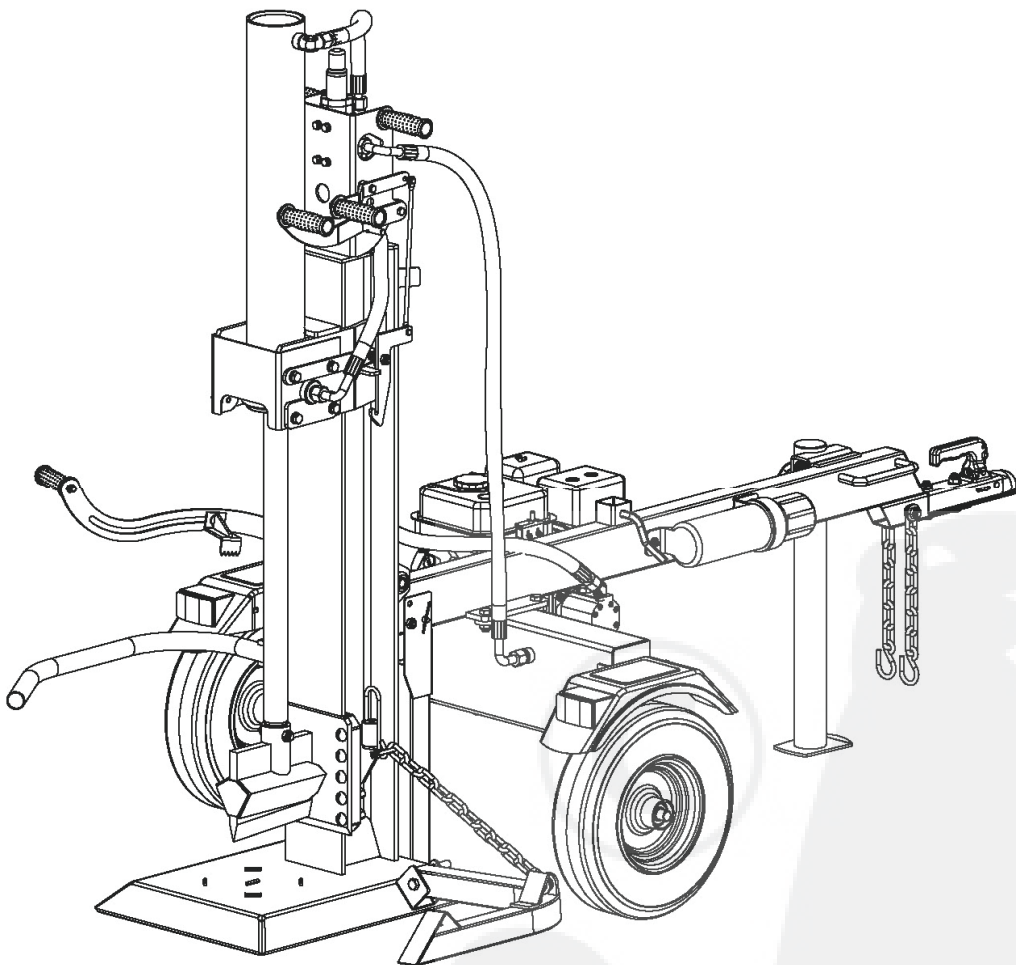


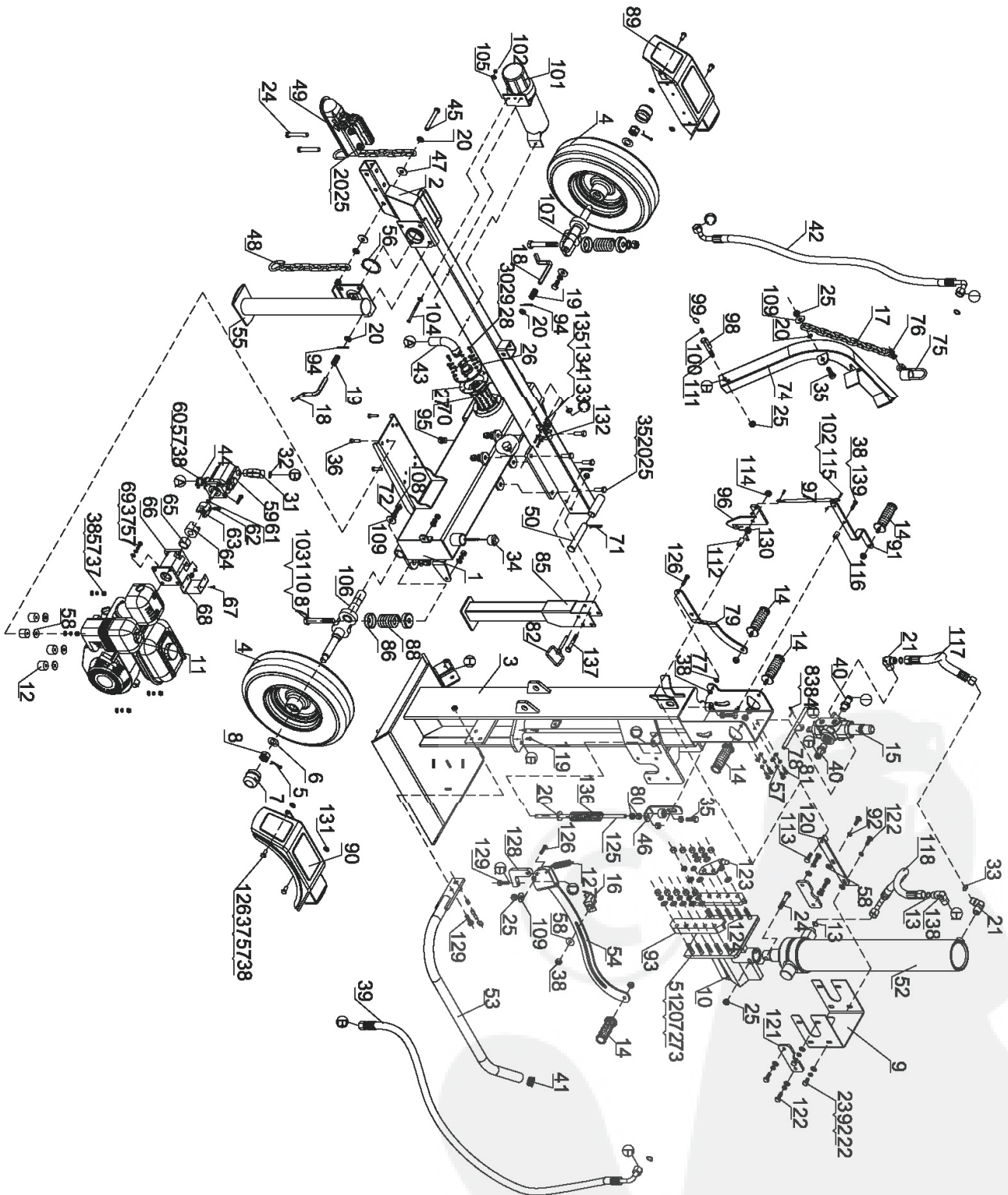
22TON VERTICAL LOG SPLITTER



Instruction & Assembly

SAVE THESE INSTRUCTIONS FOR FUTURE REFERENCE

Parts Drawing & Parts List



Parts Drawing & Parts List

Ref#	Drawing No.	Description	Qty
1	LSE2203-02000	Hydraulic Reservoir	1
2	LSE2203-03000	Tow Bar Assembly	1
3	LSE2203-01000	Beam	1
4	LSP25-14000	Wheel Assembly	2
5	9404-04036-DX	Cotter Pin Ø4x36	2
6	9301-20000-DX	Flat Washer Ø20	2
7	LSP25-00009-DX	Axle Cap	2
8	LSP25-00020-FH	Thin Hex Slotted Nut M20x1.5	2
9	LSM30-00003	Cylinder Cover	1
10	LSE2203-04000	Wedge	1
11	LSP25-10001	Engine	1
12	LSP25-00025	Polyurethane Block	4
13	9901-16*2.5	O Ring Ø16x2.5	2
14	N600-00003	Plastic Handle	5
15	LSA22-09000	Control Valve	1
16	LSE2203-06000	Presser Foot	1
17	LSE2203-00012-DX	Chain	1
18	LSP25-00008-DX	Safety Pin	2
19	LSP25-00003-DX	Spring	2
20	9301-12000-DX	Flat Washer Ø12	22
21	LSG22-00006-DX	Angle Connector	2
22	9301-10000-DX	Flat Washer Ø10	8
23	9101-10025-DX8.8	Hex Bolt M10x25	2
24	9101-12070-DX8.8	Hex Bolt M12x70	3
25	9206-12000-DX	Hex Lock Nut M12	13
26	LSP25-15000-DX	Filter Mounting Plate	1
27	LSP25-00021	Rubber Washer	1
28	9301-06000-DX	Flat Washer Ø6	6
29	9306-00006-DX	Lock Washer Ø6	6
30	9101-06020-DX8.8	Hex Bolt M6x20	6
31	LSE35-00002-DX	130° Joint Connector	1
32	9901-14×2.5	O Ring Ø14x2.5	4
33	9901-11.2×2.5	O Ring Ø11.2x2.5	2
34	LSP25-13000	Oil Bolt	1
35	9101-12035-DX8.8	Hex Bolt M12x35	7
36	9101-08065-DX8.8	Hex Bolt M8x65	4

Ref#	Drawing No.	Description	Qty
37	9101-08000-DX	Flat Washer Ø8	16
38	9206-08000-DX	Hex Lock Nut M8	15
39	LSE2203-00015	Hydraulic Hose (Valve-Gear Pump)	1
40	LSE22-00005	Extension Connector	2
41	LSE22-00011	Plastic Plug	1
42	LSE2203-00016	Hydraulic Hose(Valve-Hydraulic Reservoir)	1
43	LSA22-00007	Clear Oil Pipe	1
44	LSP25-00011	Clamp	2
45	9101-12090-DX8.8	Hex Bolt M12x90	1
46	LSE2203-11000	Pressure Link Plate	1
47	LSP25-00015-DX	Thick Washer	2
48	LSP25-11000-DX	Chain	2
49	Z104	50mm Coupler	1
50	LSP25-05000-DX	Hitch Pin	1
51	919904-12055-DX12.9	Slotted Head Screw M12x55	8
52	LSE2203-12000	Cylinder	1
53	LSE2203-10000	Log Cradle	1
54	LSE2203-07000	Split Control Handle B	1
55	LSE22-05000	Front Support Leg	1
56	9304-62000-FH	Circlip for Shaft Ø62	1
57	9206-08000-DX	Lock Washer Ø8	20
58	9302-10000-DX	Large Flat Washer Ø10	9
59	LSP25-10007	Gear Pump	1
60	9101-08030-DX8.8	Hex Bolt M8x30	4
61	LSP25-10008-FH	Steel Wire Snap Ring for Shaft	1
62	9121-06010-FH	Inner Hex Eng Set Screw M6x10	1
63	LSP25-10003	Gear Pump Coupler	1
64	LSP25-10002	Engine Coupler	1
65	LSP25-10004-DX	Engine Bushing	1
66	LSP25-10005	Gear Pump Stand	1
67	9101-05010-DX8.8	Hex Bolt M5x10	4
68	LSP25-10006	Coupler Cover	1
69	9101-08025-DX8.8Q	Hex Bolt M8x25	4
70	LSP25-00022	Filter	1
71	LSP25-00012-DX	R Pin	4
72	9306-12000-DX	Lock Washer Ø12	12

Ref#	Drawing No.	Description	Qty
73	9210-12000-DX8.8	Thick Nut M12	10
74	LSE2203-05000	Lifting Bracket	1
75	LSE2203-08000	Hook	1
76	DY1/4	Bow Shackle 1/4"	1
77	C130-00004	Nylon Pad	1
78	LSCA22-07100	Connecting Pipe	1
79	LSE2203-00007	Split Control Handle A	1
80	9101-12000-DX	Hex Nut M12	3
81	9105-08016-DX8.8	Hex Screw M8x16	4
82	LSA22-16000-DX	Hex Nut M8	1
83	9403-05026-DX	Hinge Pin	1
84	9404-2X10/DX	Cotter Pin Ø2x10	1
85	LSE2203-13000	Rear Support Leg	1
86	LSE22-00015	Spring Seat	4
87	9101-16110-DX8.8	Hex Bolt M16x110	2
88	LSE22-00016	Pressure Spring	2
89	LSP30-05000	Left Fender	1
90	LSP30-06000	Right Fender	1
91	LSE2203-00006	Lifting Bracket Release Handle C	1
92	9306-10000-DX	Lock Washer Ø10	8
93	LSA22-03001	Wedge Slide	2
94	9404-03030-DX	Cotter Pin Ø3x30	2
95	LSP25-00010-DX	Oil Plug	1
96	LSE2203-00004	Hook	1
97	LSE2203-00005	Connecting Rod	1
98	Z330-00008-DX	Pawl (B)	2
99	Z330-00017-DX	Key Ring	2
100	Z330-00003-FH	Spring B	2
101	LSP30MD-02000	Manual Canister	1
102	9206-06000-DX	Nylon Lock Nut M6	5
103	9206-16000-DX	Nylon Lock Nut M16	2
104	9101-06070-DX8.8	Hex Bolt M6x70	3
105	9302-06000-DX	Large Flat Washer Ø6	6
106	LSE22-11000	Left Axle	1
107	LSE22-09000	Right Axle	1
108	9101-12025-DX8.8Q	Hex Bolt M12X25	2
109	9302-12000-DX	Large Flat Washer Ø12	4

	Drawing No.	Description	Qty
110	9101-16000-DX	Flat Washer Ø16	2
111	9101-12075-DX8.8	Hex Bolt M12x75	1
112	LSE2203-00008	Axle Sleeve	1
113	9101-10055-DX8.8	Hex Bolt M10x55	1
114	9206-10000-DX	Hex Lock Nut M10	9
115	9101-06016-DX8.8	Hex Bolt M6x16	2
116	LSE2203-00011	Bushing	1
117	LSE2203-00014	High Pressure Hose B	1
118	LSE2203-00013	High Pressure Hose A	1
119	9105-06012-FH	Hex Socket Head Screw M6x12	2
120	LSE2203-00003	Connecting Rod A	1
121	LSE2203-00009	Cylinder Limit Block	2
122	9101-10030-DX8.8	Hex Bolt M10x30	7
123	LSE2203-09000	Chain Hoist	1
124	919904-12060-DX12.9	Slotted Head Screw M12x60	2
125	LSE2203-00010	Threaded Rod	1
126	9101-08025-DX8.8	Hex Bolt M8x25	5
127	LSF3000-00013	Tension Spring	1
128	LSE2203-00001	Rotating Seat	1
129	9101-10035-DX8.8	Hex Bolt M10x35	1
130	LSE2203-00002	Torsional Spring	1
131	LSA22-00021	Rubber Washer 2	4
132	LSE2203-14000	Electric Breaking Switch	1
133	9101-04030-DX8.8	Hex Bolt M4x30	2
134	9101-04000-DX	Flat Washer Ø4	4
135	9206-04000-DX	Hex Lock Nut M4	2
136	LSE2203-00018-DX	Pressure Spring	1
137	9101-10070-DX8.8	Hex Bolt M10x70	1
138	LSE2203-00017-DX	Angle Connector	1
139	9101-08040-DX8.8	Hex Bolt M8x40	1



This document was created with the Win2PDF "print to PDF" printer available at <http://www.win2pdf.com>

This version of Win2PDF 10 is for evaluation and non-commercial use only.

This page will not be added after purchasing Win2PDF.

<http://www.win2pdf.com/purchase/>

