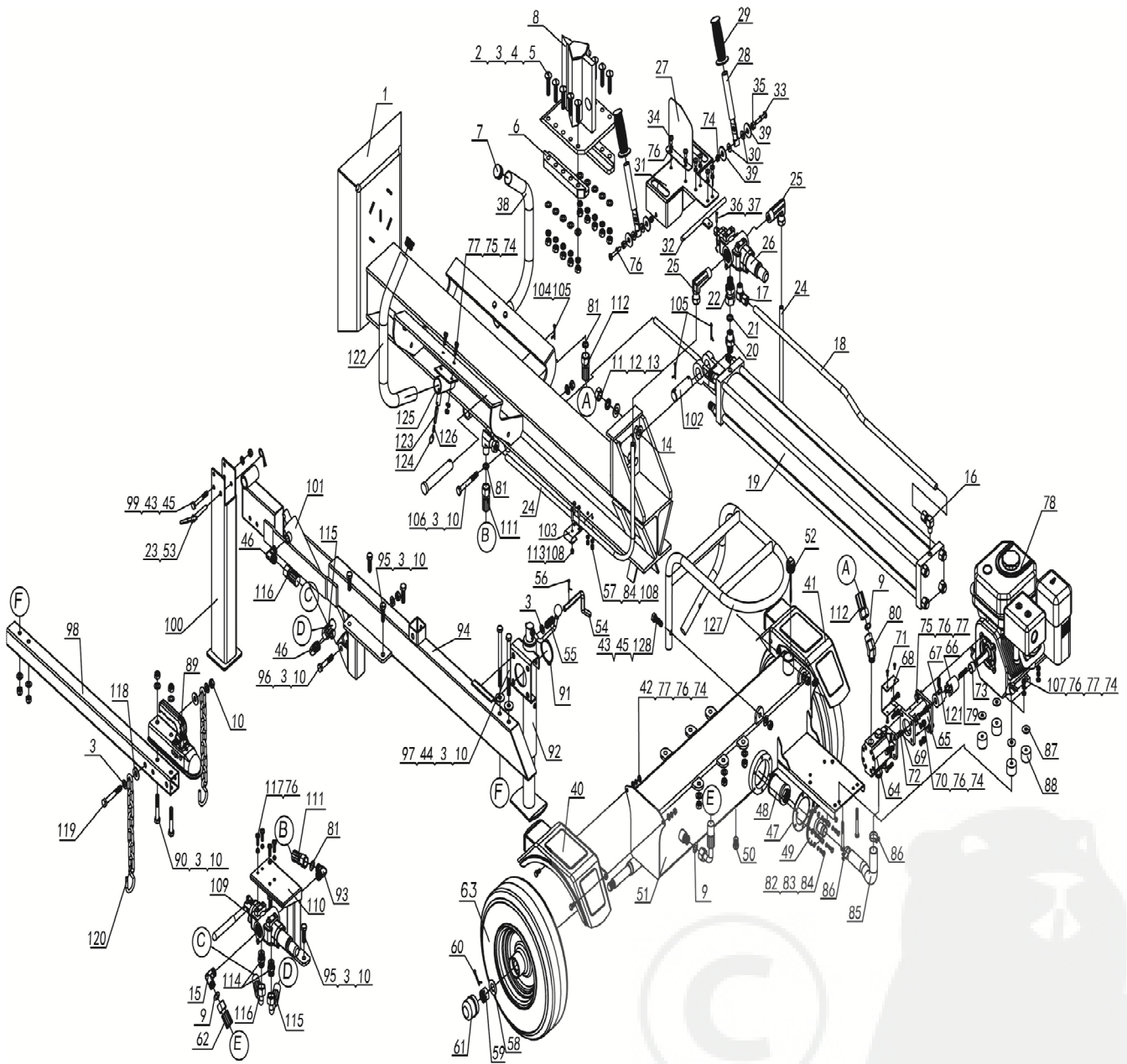


LZLSE20



Ref.No.	Drawing No.	Description	Qty on each product
1	LZLSE20-1	Beam	1
2	LZLSE20-2	Screw M12x55	10
3	LZLSE20-3	Flat Washer Ø12	25
4	LZLSE20-4	Lock Washer Ø12	10
5	LZLSE20-5	Hex Thick Nut M12	10
6	LZLSE20-6	Keeper Spacer	2
7	LZLSE20-7	Plastic end cap	2
8	LZLSE20-8	Wedge	1
9	LZLSE20-9	O Ring 14 x 2.5	3
10	LZLSE20-10	Nylon Lock Nut M12	13
11	LZLSE20-11	Lock Washer Ø18	4
12	LZLSE20-12	Flat Washer Ø18	4
13	LZLSE20-13	Hex Nut M18	4
14	LZLSE20-14	Adjustable Washer	
15	LZLSE20-15	Right Angle Connector 2	1
16	LZLSE20-16	Cutting Sleeve Connector B	1
17	LZLSE20-17	Connector	1
18	LZLSE20-18	Metal Hydraulic Hose 1	1
19	LZLSE20-19	Cylinder	1
20	LZLSE20-20	Cylinder Head Cover Joint	1
21	LZLSE20-21	O Ring 16x2.5	1
22	LZLSE20-22	Active Joint	1
23	LZLSE20-23	Handle Ring	1
24	LZLSE20-24	Metal Hydraulic Hose 2	2
25	LZLSE20-25	Cutting Sleeve Connector	2
26	LZLSE20-26	Control Valve	1
27	LZLSE20-27	Spacer Plate	1
28	LZLSE20-28	Handle	2
29	LZLSE20-29	Plastic Handle Sleeve	2
30	LZLSE20-30	Nylon Washer	4
31	LZLSE20-31	Frame	1
32	LZLSE20-32	Connection Tube	1
33	LZLSE20-33	Screw M8x50	2
34	LZLSE20-34	Inner Hex Screw M8x16	6
35	LZLSE20-35	Hex Nut M8	2
36	LZLSE20-36	Hinge Pin Ø5x26	1
37	LZLSE20-37	Cotter Pin Ø 2x10	1
38	LZLSE20-38	Protection Tube	1
39	LZLSE20-39	Big Flat Washer Ø8	4
40	LZLSE20-40	Left Fender	1
41	LZLSE20-41	Right Fender	1
42	LZLSE20-42	Hex Bolt M8x20	4
43	LZLSE20-43	Flat Washer Ø10	3
44	LZLSE20-44	Big Flat Washer Ø10	2
45	LZLSE20-45	Hex Lock Nut M10	3
46	LZLSE20-46	Angle Connector	2
47	LZLSE20-47	Rubber Washer	1

Ref.No.	Drawing No.	Description	Qty on each product
48	LZLSE20-48	Filter	1
49	LZLSE20-49	Filter Mounting Plate	1
50	LZLSE20-50	Oil Plug	1
51	LZLSE20-51	Oil Tank	1
52	LZLSE20-52	Oil Bolt	1
53	LZLSE20-53	R Rin	1
54	LZLSE20-54	Safety Pin	1
55	LZLSE20-55	Spring	1
56	LZLSE20-56	Cotter Pin Ø3x30	1
57	LZLSE20-57	Hex Bolt M6x25	4
58	LZLSE20-58	Flat Washer Ø20	2
59	LZLSE20-59	Slotted Nut M20x1.5	2
60	LZLSE20-60	Cotter Pin 4x36	2
61	LZLSE20-61	Axle Cap	2
62	LZLSE20-62	Oil Return Pipe	1
63	LZLSE20-63	Wheel	2
64	LZLSE20-64	Gear Pump	1
65	LZLSE20-65	Gear Pump Stand	1
66	LZLSE20-66	Engine Connector	1
67	LZLSE20-67	Gear Pump Connector	1
68	LZLSE20-68	Connector Cover	1
69	LZLSE20-69	Gear Pump Flat Key	1
70	LZLSE20-70	Hex Bolt M8x30	4
71	LZLSE20-71	Hex Bolt M5x10	4
72	LZLSE20-72	Wire Snap rings for shaft	1
73	LZLSE20-73	Flat Key	1
74	LZLSE20-74	Nylon Lock Nut M8	18
75	LZLSE20-75	Hex Bolt M8x25	8
76	LZLSE20-76	Lock Washer Ø8	28
77	LZLSE20-77	Flat Washer Ø8	16
78	LZLSE20-78	Engine	1
79	LZLSE20-79	Engine Bushing	1
80	LZLSE20-80	130° Elbow Connector	1
81	LZLSE20-81	O Ring 11.2x2.4	3
82	LZLSE20-82	Hex Bolt M6x20	6
83	LZLSE20-83	Lock Washer Ø6	6
84	LZLSE20-84	Flat Washer Ø6	10
85	LZLSE20-85	Oil Pipe	1
86	LZLSE20-86	Clamp	2
87	LZLSE20-87	Big Flat Washer Ø10	4
88	LZLSE20-88	Polyurethane Block	4
89	LZLSE20-89	50mm Coupler	1
90	LZLSE20-90	Hex Bolt M12x70	2
91	LZLSE20-91	Wire Snap rings for shaft	1
92	LZLSE20-92	Front Support Leg	1
93	LZLSE20-93	Angle Connector	1
94	LZLSE20-94	Tow Bar	1
95	LZLSE20-95	Hex Bolt M12x40	6
96	LZLSE20-96	Hex Bolt M12x65	1

Ref.No.	Drawing No.	Description	Qty on each product
97	LZLSE20-97	Hex Bolt M12x170	2
98	LZLSE20-98	Lengthening Tow Bar	1
99	LZLSE20-99	Hex Bolt M10x75	1
100	LZLSE20-100	Rear Support Leg	1
101	LZLSE20-101	Lift Cylinder	1
102	LZLSE20-102	Wedge Pin	1
103	LZLSE20-103	Hose Clamp	2
104	LZLSE20-104	Hinge Pin	1
105	LZLSE20-105	Cotter Pin 4x40	3
106	LZLSE20-106	Hex Bolt M12x100	1
107	LZLSE20-107	Hex Bolt M8x65	4
108	LZLSE20-108	Hex Lock Nut M6	6
109	LZLSE20-109	Control Valve	1
110	LZLSE20-110	Valve Mounting Plate	1
111	LZLSE20-111	Hydraulic Hose(Connector B- Valve B)	1
112	LZLSE20-112	Hydraulic Hose(Connector A-gear pump)	1
113	LZLSE20-113	Hex Bolt M6 x 30	2
114	LZLSE20-114	Throttle Connector	2
115	LZLSE20-115	Hydraulic Hose B (lift cylinder)	1
116	LZLSE20-116	Hydraulic Hose A (lift cylinder)	1
117	LZLSE20-117	Screw M8x25	4
118	LZLSE20-118	Thick Washer	2
119	LZLSE20-119	Hex Bolt M12x90	1
120	LZLSE20-120	Safety Chain	2
121	LZLSE20-121	Inner Hex Cone Point Set Screw M6x10	1
122	LZLSE20-122	Protection Tube A	1
123	LZLSE20-123	Pawl	1
124	LZLSE20-124	Key Ring	1
125	LZLSE20-125	Protection Tube Seat	1
126	LZLSE20-126	Spring B	1
127	LZLSE20-127	Engine Guide	1
128	LZLSE20-128	Hex Bolt M10x50	2