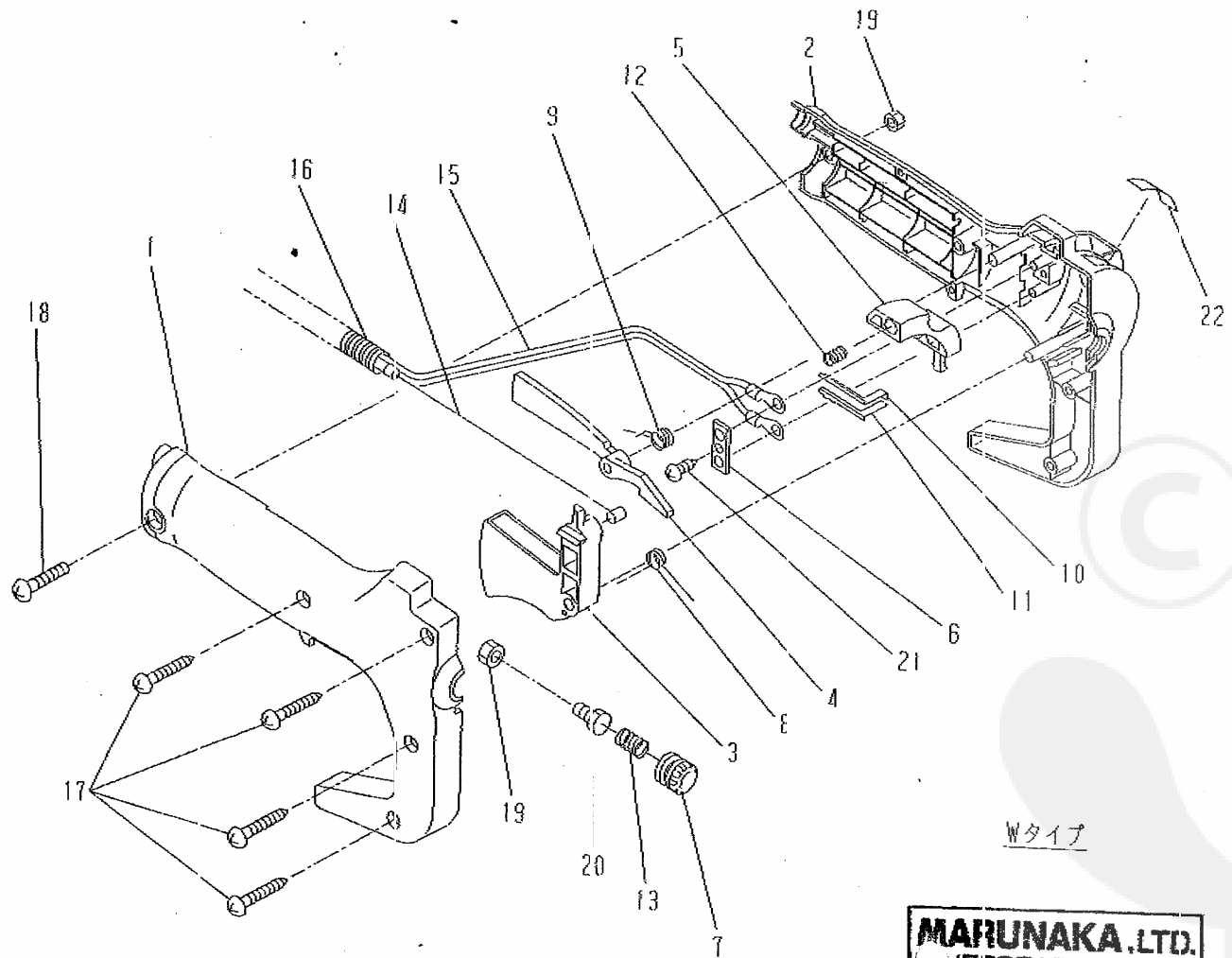


T-064 P.02

'00-09-18 14:15



Wタイプ

**MARUNAKA, LTD.**  
VERSEAS DIVISION



## [CE TH. LEVER H24/G/8W HT411]

NO.	CODE NO.	NAME	QTY
1	165-578-6	GRIP-RIGHT CE LEVER	1
2	165-578-7	GRIP-LEFT CE LEVER	1
3	165-578-8	LEVER-THROTTLE CE LEVER	1
4	165-578-9	LEVER-LOCK CE LEVER	1
5	165-579-0	SWITCH CE LEVER	1
6	165-579-1	COVER-TERMINAL CE LEVER	1
7	165-579-2	KNOB CE LEVER	1
8	165-579-3	SPRING CE LEVER	1
9	165-579-4	SPRING CE LEVER	1
10	165-579-5	SPRING CE LEVER	1
11	165-579-6	SPRING CE LEVER	1
12	165-579-7	SPRING CE LEVER	1
13	165-579-8	SPRING CE LEVER	1
14	165-580-6	WIRE-THROTTLE H24-28W	1
15	165-581-1	CORD H24-28W	1
16	165-581-6	TUBE H24-28W	1
17	165-580-0	SCREW-TAPPING CE LEVER	4
18	165-577-5	SCREW CE LEVER	1
19	003-008-0	NUT M5 CE LEVER	2
20	165-582-8	BOLT M5X15 H24-28W	1
21	165-580-1	SCREW-TAPPING CE LEVER	1
22	165-579-9	LABEL CE LEVER	1
14	165-580-9	WIRE-THROTTLE HT411	1
15	165-581-4	CORD HT411	1
16	165-581-8	TUBE HT411	1
20	168-035-6	BOLT M5X15 HT411	1
14 B	165-580-9B	WIRE HT412	1
15 B	165-581-4B	CORD HT412	1
16 B	165-581-8B	TUBE HT412	1



**MARUNAKA, LTD.**  
OVERSEAS DIVISION