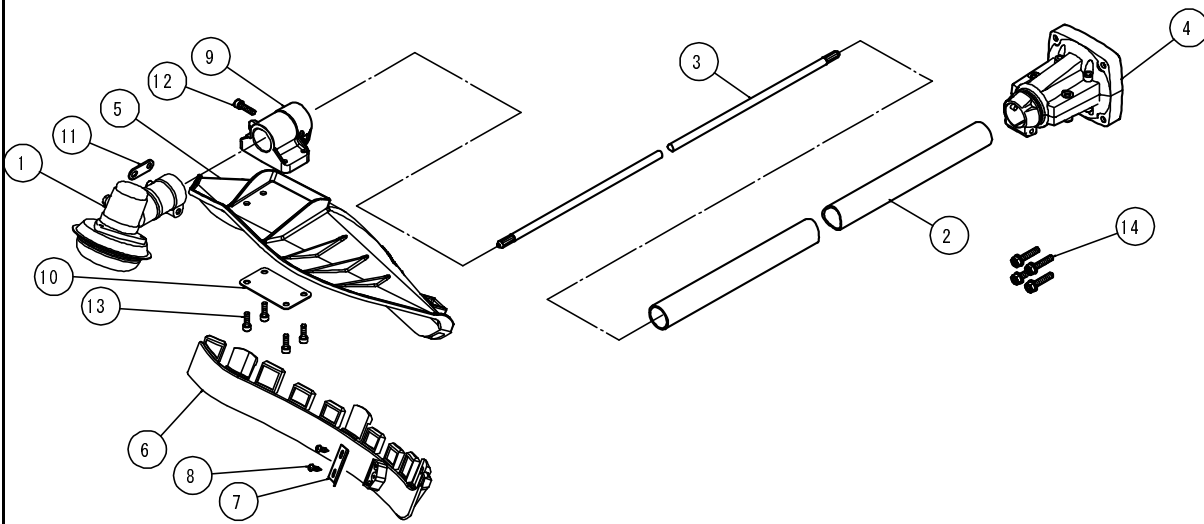
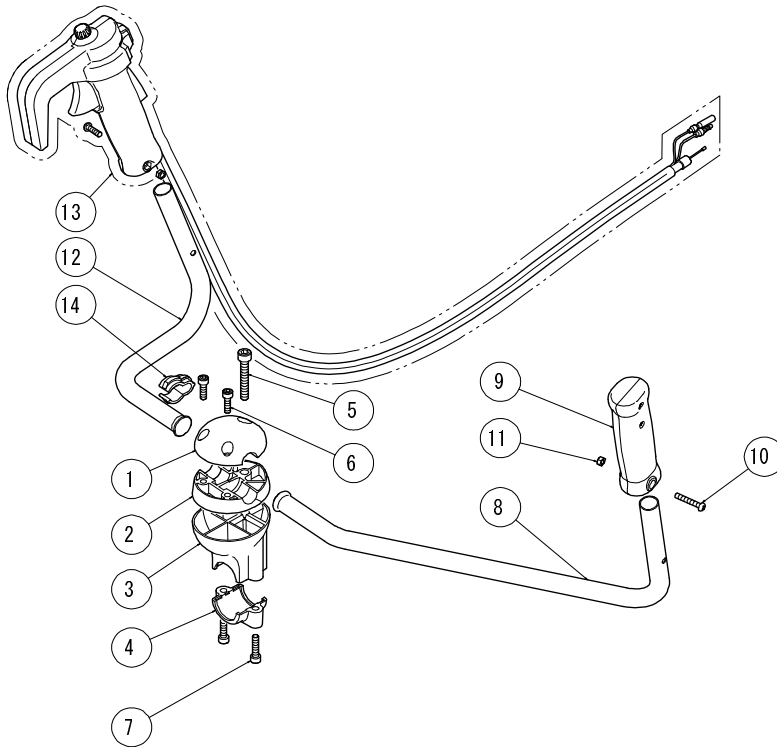


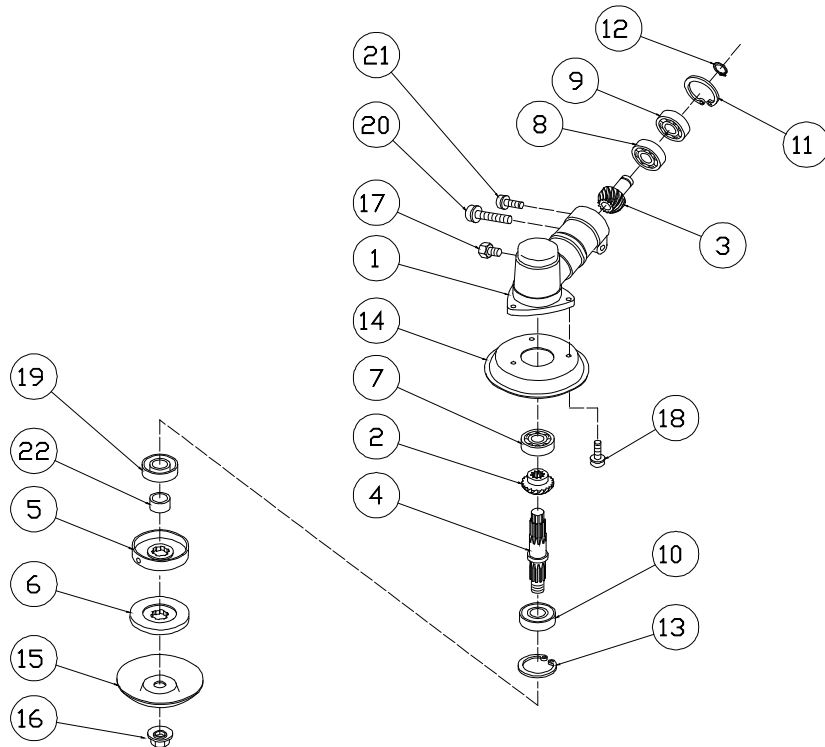
REF No.	CODE	NAME	QTY	REMARKS
1		SHAFT SET	1	28
2		HANDLE SET	1	W type
3	800200069	HANDLE DAMPER	1	for 28
4	801675731	WIRE GUIDE	2	for 28
5	801675729	HANGER STRAP STEM	1	for 28
6	800200001	SCREW	2	M6 × 12 (+)2P
7	800202426	HARNESS ASSY	1	Double belt
8	800200380	LABEL	1	178 × 35 PL
9	800204913	LABEL	1	86 × 20 CE08
10	800205026	LABEL	1	35 × 20 Model+dB+「BRUS H CUTTER」
11	800201167	LABEL	1	143 × 29 MARUNAKA
12	800204464	LABEL	1	Φ 20 Made in Japan
13	801688381	EYE PROTECTOR	1	
14	800200023	SPANNER	1	10 × 8
15	800200022	SPANNER	1	#4
16	800200042	SPANNER	1	#5
17	800200043	SPANNER	1	#6
18	801689042	SPANNER	1	13 × 19
19	800200511	PROTECTOR	2	1Set
20	800200556	TUBE	1	Φ 13 × 120
21	801689082	BAG	1	82 × 60
22	800200025	BAG	1	118 × 168
23	800200026	BAG	1	370 × 270
24	800204914	MANUAL	1	A4



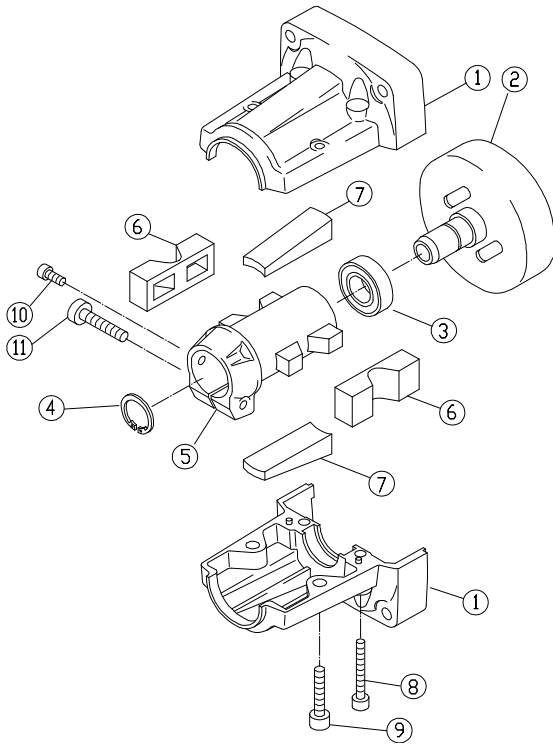
REF No.	CODE	NAME	QTY	REMARKS
	800204912	SHAFT SET	1	28
1	801675726	GEAR CASE ASSY	1	for 28
2	801675727	DRIVE SHAFT HOUSING ASSY	1	$\phi 28 \times 1545$
2,1	801675728	DRIVE SHAFT HOUSING	1	$\phi 28 \times t2.0 \times 1545$
2.2	800201764	METAL CUSHION	6	C-28
2,3	800200029	OIL METAL	6	$\phi 8 \times \phi 14 \times 10$
3	801698906	DRIVE SHAFT	1	$\phi 8 \times 1590$
4	800203243	CLUTCH CASE ASSY	1	for 28
5	800205017	SAFETY GUARD	1	$393 \times 236 \times 92$
6	800201971	SAFETY GUARD	1	$415 \times 24 \times 67$
7	800201972	CUTTER	1	$38 \times 31.7 \times t1$
8	800200460	SCREW	2	#4 $\times 12(+)$ 2P
9	800204576	SAFETY GUARD HOLDER	1	for 28
10	800204580	SAFETY GUARD HOLDER	1	$72 \times 40 \times t1.5$
11	801675703	CONNECTOR	1	$35 \times 12 \times t1.5$
12	800200012	CAP BOLT	1	M5 $\times 20$
13	800200013	CAP BOLT	4	M5 $\times 16$
14	800200035	BOLT	4	M6 $\times 30 (+)$ 3P



REF No.	CODE	NAME	QTY	REMARKS
	800204770	HANDLE SET	1	W type
1	800202149	HANDLE HOLDER	1	for 19
2	800202150	HANDLE HOLDER	1	for 19
3	801675714	HANDLE HOLDER	1	
4	801675715	HANDLE HOLDER	1	
5	800200037	BOLT	1	M8 × 50
6	800200038	BOLT	2	M6 × 20
7	800200039	BOLT	2	M6 × 25
8	801675716	HANDLE	1	φ 19.1 × t1.2 LEFT
9	801655825	GRIP ASSY	1	
10	800203739	SCREW	2	M5 × 30(+/-)
11	800201048	NUT	2	M5
12	801675717	HANDLE	1	φ 19.1 × t1.2 RIGHT
13	801695932	THROTTLE LEVER ASSY	1	TO CONNECT EURO2 ENGINE
14	801675722	WIRE GUIDE	1	for 19



REF No.	CODE	NAME	QTY	REMARKS
	801675726	GEAR CASE ASSY	1	for 28
1	801676377	GEAR CASE	1	for 28
2	801676378	BEVEL GEAR	1	
3	801676379	PINION	1	
4	801676380	GEAR SHAFT	1	
5	801676381	HOLDER(A)	1	
6	801676382	HOLDER(B)	1	
7	800045130	BEARING	1	6001
8	800045130	BEARING	1	6001
9	800045510	BEARING	1	6001Z
10	801676383	BEARING	1	6202
11	800083170	STOP RING	1	28
12	800082030	STOP RING	1	12
13	801668111	STOP RING	1	35
14	801676385	GEAR CASE COVER	1	$\phi 44 \times \phi 88 \times t1$
15	801676373	NUT COVER	1	$\phi 10 \times \phi 73 \times t1.5$
16	801676374	NUT	1	M10 \times 1.25
17	800010505	BOLT	1	M6 \times 8
18	801676360	SCREW	3	M4 \times 8(+) 2P
19	801676386	OIL SEAL	1	TC22 \times 35 \times 7
20	801676376	CAP BOLT	1	M6 \times 30 2P
21	801676363	CAP BOLT	1	M5 \times 10 2P
22	801676387	COLLAR	1	$\phi 15 \times \phi 22 \times 9.5$



REF No.	CODE	NAME	QTY	REMARKS
	800203243	CLUTCH CASE ASSY	1	for 28
1	800202144	CLUTCH HOUSING	1	94.35 × 92 × 46
2	801688365	CLUTCH DRUM	1	φ 78
3	800203239	BEARING	1	6002LLU
4	800200006	STOP RING	1	S-15
5	800202146	CLUTCH HOUSING HOLDER	1	for 28
6	801693572	HOUSING DAMPER	2	20 × 50 × 13
7	801652258	HOUSING DAMPER	2	
8	800200032	CAP BOLT	2	M5 × 30
9	800200033	CAP BOLT	2	M6 × 25
10	800200034	SCREW	1	M5 × 10 (+)2P
11	800200035	BOLT	1	M6 × 30 (+)3P