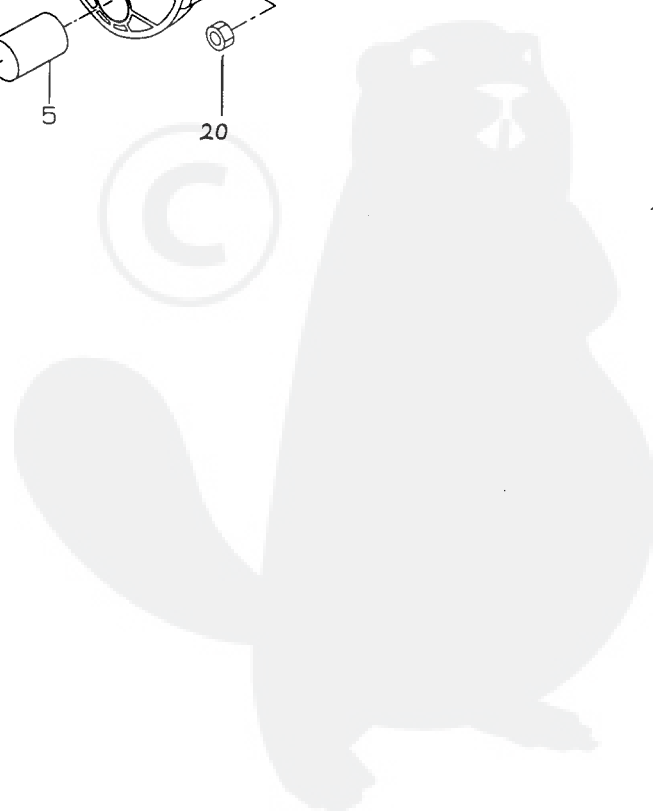
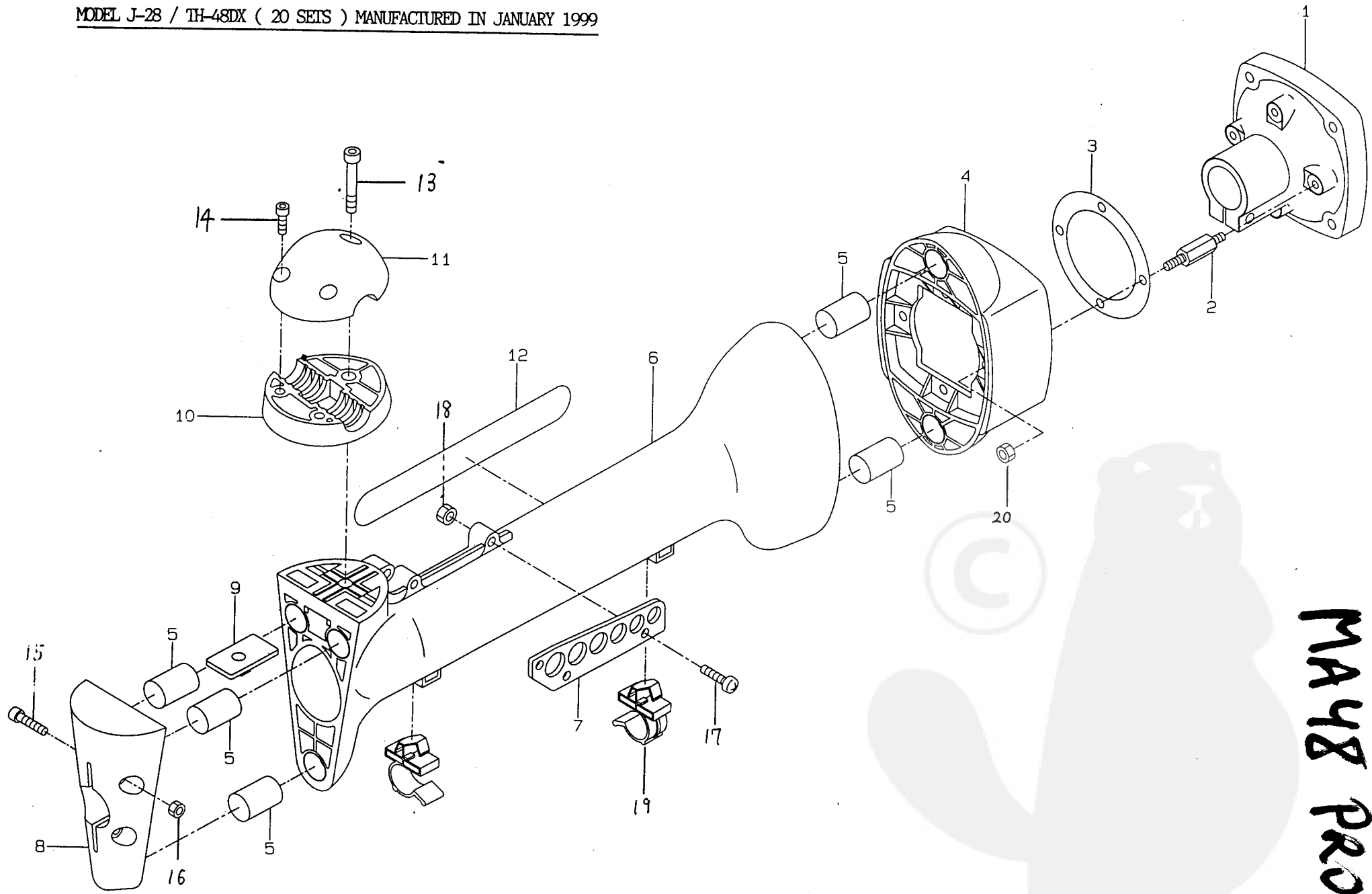


MODEL J-28 / TH-48DX ( 20 SETS ) MANUFACTURED IN JANUARY 1999



**MAY 8 PRO**

MA48 PRO

[J28 MANUFACTURED IN JAN. 1993]

REF.	CODE NO.	NAME	QTY
1	168-016-3	CASE, CLUTCH	1
2	165-979-0	BOLT (M5x46.5)	4
3	165-978-9	PLATE	2
4	168-015-8	FRAME A	1
5	168-015-3	DAMPER	5
6	168-015-4	FRAME B	1
7	168-015-9	HANGER, STRAP STEM	1
8	168-015-5	FRAME C	1
9	168-016-0	NUT	1
10	168-016-1	HANDLE HOLDER, LOWER	1
11	168-016-2	HANDLE HOLDER, UPPER	1
12	168-016-9	LABEL	1
13	168-018-6	BOLT (M8x50)	1
14	165-181-4	BOLT (M6x20)	2
15	168-018-7	BOLT (M5x30)	2
16	003-008-0	NUT (M5)	2
17	001-816-0	BOLT (M5x20)	3
18	003-008-0	NUT (M5)	3
19	168-015-6	HOLDER, WIRE	2
20	003-008-0	NUT (M5)	4

