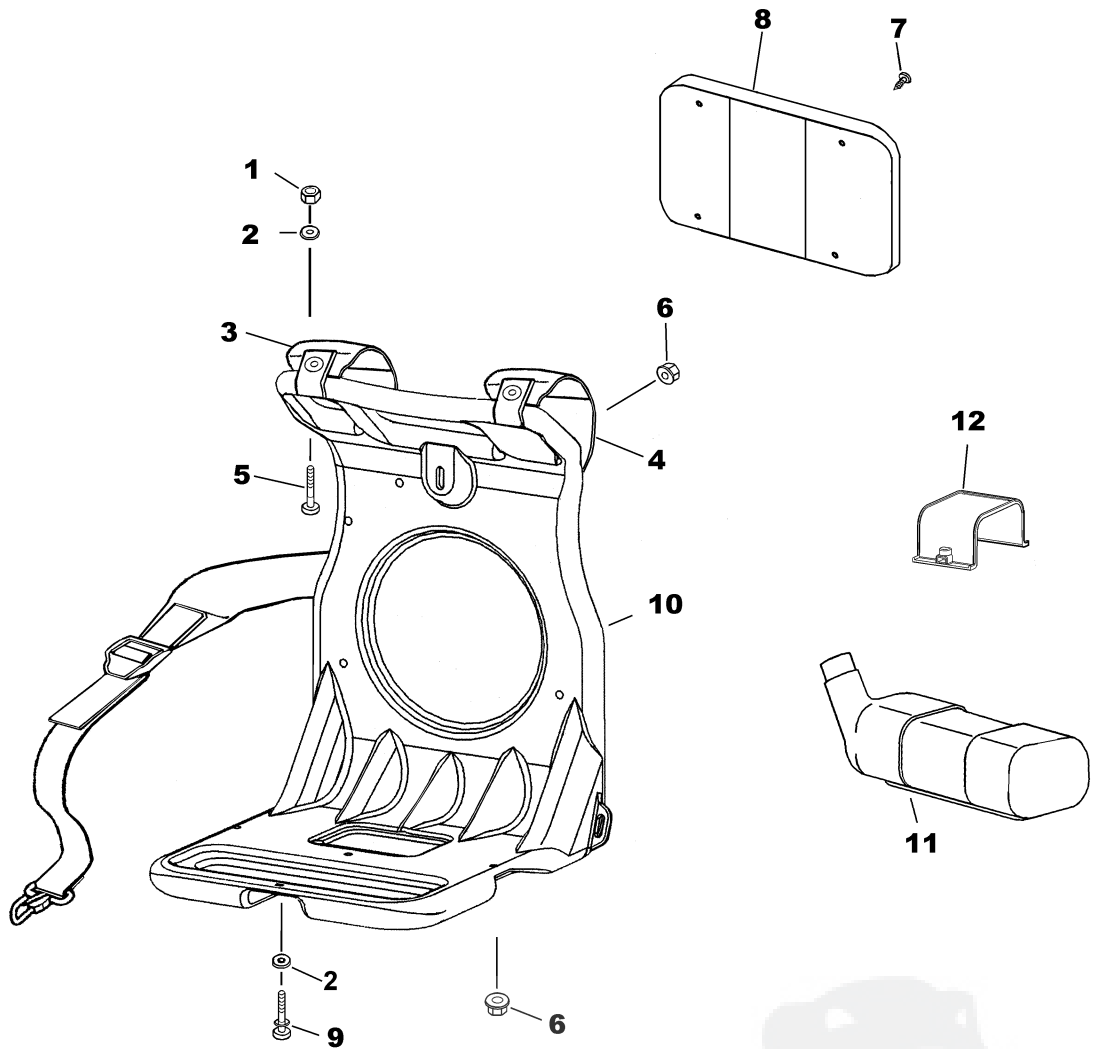


BL-45

PARTS LIST

NO.	PARTS NO.	PARTS NAME	Q'TY		OCT . 03 . 2007		REMARKS
			INCLUDING		PRICE (¥)	RECOMM. (%)	
1	71214 102	ELBOW PIPE C.P.	1			5	
2	212B 8000	O-RING		1		5	
3	36086 104	ELBOW PIPE		1		5	
4	68031 143	HOSE BAND	2			1	
5	68028 117	WIRE BAND	1			5	
6	36084 104	FLEX. PIPE	1			5	
7	36087 105	BASE PIPE	1			3	
8	71056 273	THROTTLE LEVER ASS'Y	1			3	
9	36088 107	MIDDLE PIPE	1			5	
10	36089 105	BEND PIPE	1			5	
11	464L 0520	(+)TAPPING SCREW 5×20	15			1	
12	36005 163	VIBRO-ISOLATING RUBBER	3			3	
13	51123 223	FAN CASE	1			1	
14	434B 0525	SOCKET SCREW (SUS W/SW) M5×25	4			1	
15	51125 119	FAN	1			1	
16	51123 224	FAN CASE	1			1	
17	412U 0630	SOCKET SCREW M6×30	4			1	
18	412U 0565	SOCKET SCREW M5×65	2			1	
19	572L 0500	NYLON NUT	2			1	
20	36083 109	FAN COVER	1			1	
21	36065 456	COVER	1			1	
22							
23							
24							
25							



BL-45

PARTS LIST

REF. NO.	PARTS NO.		PARTS NAME	Q'TY INCLUDING	OCT . 03 . 2007		REMARKS
					PRICE (¥)	RECOMM. (%)	
1	569L	0600	FLANGE NYLON NUT M6	2		1	
2	68036	125	WASHER	4		1	
3	36063	208	SHOULDER BAND	1		3	
4	36063	207	SHOULDER BAND	1		3	
5	376L	0616	(+)TRUSS SCREW M6×16	2		1	
6	31058	172	NUT	3		1	
7	68027	107	CLIP	4		3	
8	91027	141	KNAPSACK PAD	1		3	
9	375L	0625	(+)SCREW(W/SW) M6×25	2		1	
10	36122	128	KNAPSACK FRAME	1		1	
11	36066	120	FUEL TANK	1		1	
12	36071	143	BAND	1		1	
13						3	
14						1	

PARTS LIST MODEL: BL45 / TX45D-C52(KAWASAKI ENGINE)					
REF No.	CODE	NAME	QTY	REMARKS	
				SIZE	ORIGINAL MODEL
1	71214-102	ELBOW PIPE C.P	1		BL45/TEX45
2	212B-8000	O-RING	1		BL45/TEX45
3	36086-104	ELBOW PIPE	1		BL45/TEX45
4	68031-143	HOSE BAND	2		BL45/TEX45
5	68028-117	WIRE BAND	1		BL45/TEX45
6	36084-104	FLEX. PIPE	1		BL45/TEX45
7	36087-105	BASE PIPE	1		BL45/TEX45
8	71056-273	THROTTLE LEVER ASS'Y	1		BL45/TEX45
9	36088-107	MIDDLE PIPE	1		BL45/TEX45
10	36089-105	BAND PIPE	1		BL45/TEX45
11	464L-0520	(+)TAPPING SCREW	15	5X20	BL45/TEX45
12	36005-163	VIBRO-ISOLATING RUBBER	3		BL45/TEX45
13	51123-223	FAN CASE	1		BL45/TEX45
14	434B-0525	SOCKET SCREW (SUS W/SW)	4	M5X25	BL45/TEX45
15	51125-119	FAN	1		BL45/TEX45
16	51123-224	FAN CASE	1		BL45/TEX45
17	412U-0630	SOCKET SCREW	4	M6X30	BL45/TEX45
18	412U-0565	SOCKET SCREW	2	M5X65	BL45/TEX45
19	572L-0500	NYLON NUT	2		BL45/TEX45
20	36083-109	FAN COVER	1		BL45/TEX45
21	36065-456	COVER	1		BL45/TEX45

PARTS LIST MODEL: BL45 / TX45D-C52(KAWASAKI ENGINE)					
REF No.	CODE	NAME	QTY	REMARKS	
				SIZE	ORIGINAL MODEL
1	569L-0600	FLANGE NYLON NUT	2	M6	BL45/TEX45
2	68036-125	WASHER	4		BL45/TEX45
3	36063-208	SHOLDER BAND	1		BL45/TEX45
4	36063-207	SHOLDER BAND	1		BL45/TEX45
5	376L-0616	(+)TRUSS SCREW	2	M6X16	BL45/TEX45
6	31058-172	NUT	3		BL45/TEX45
7	68027-107	CLIP	4		BL45/TEX45
8	91027-141	KNAPSACK PAD	1		BL45/TEX45
9	375L-0625	(+)SCREW(W/SW)	2	M6X25	BL45/TEX45
10	36122-128	KNAPSACK FRAME	1		BL45/TEX45
11	36066-120	FUEL TANK	1		BL45/TEX45
12	36071-143	BAND	1		BL45/TEX45