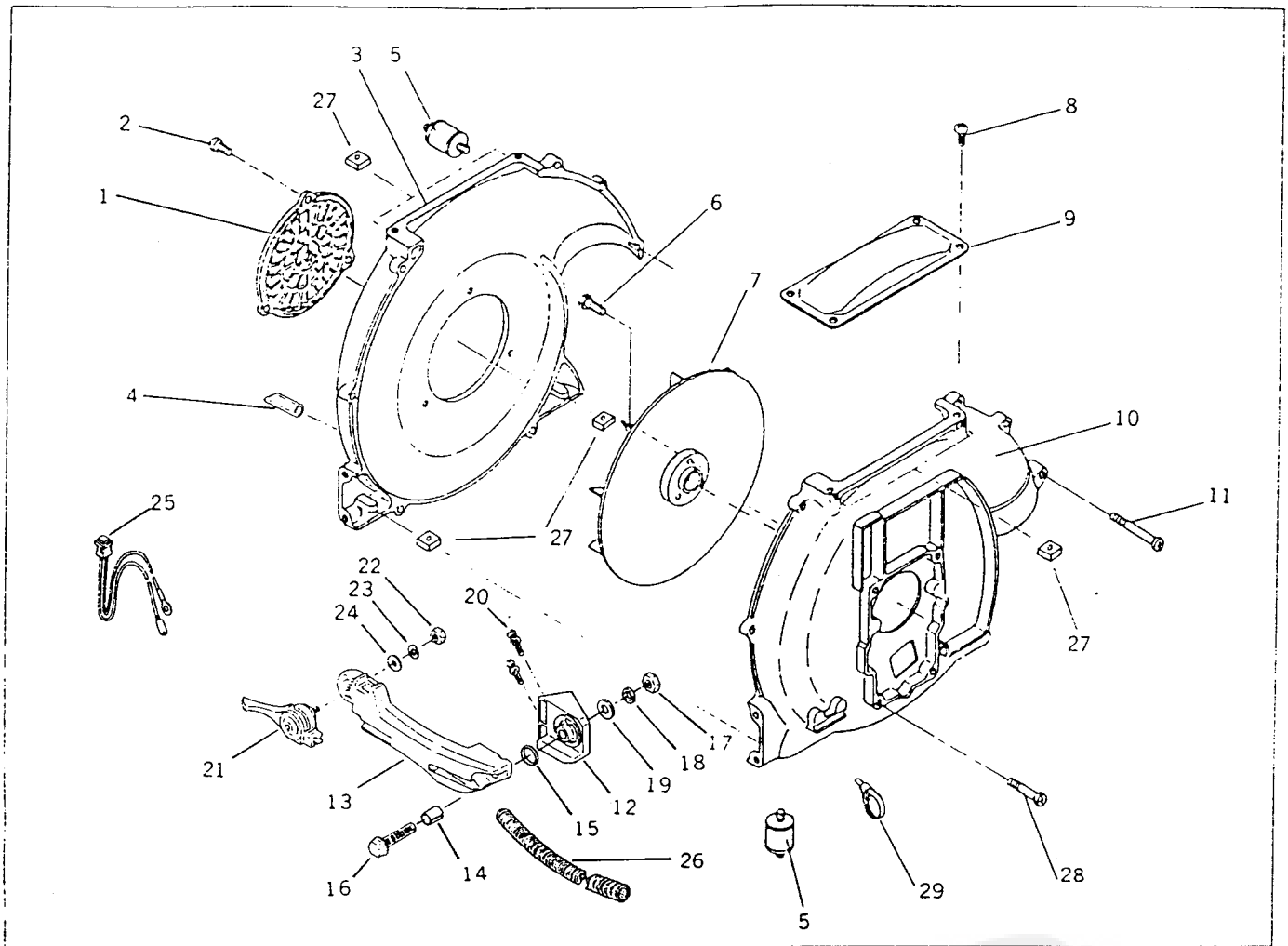


KEY NO	PART NO	QTY REQ	DESCRIPTION
1	36063-155	2	Shoulder Band
2	376L0616	2	Truss Screw(6×16 mm)
3	51113-109	2	Ring
4	91027-116	1	Knapsack pad
5	569L0600	2	Flange Nut(6mm)
6	68027-103	5	Clip
7	36122-102	1	Knapsack Frame-Complete
8	68036-125	6	Washer-Steel
9	36087-104	1	Base Tube
10	68031-114	2	Hose Band
11	36084-101	1	Flexible Tube
12	36086-102	1	Outlet Tube-Elbow
13	21288000	1	O-Ring
14	36088-106	1	Middle Tube
15	36089-103	1	Bent Tube
16	561L0600	4	U-Hexagon Nut(6mm)
17	374L0615	2	Screw(6×15mm)

## 2. UNIT-ILLUSTRATION AND DESCRIPTION

BL-40



KEY NO	PART NO	QTY REQ	DESCRIPTION
1	36083-101	1	Fan Cover
2	470L0616	3	Tapping Screw
3	51123-125	1	Fan Case-Front
4	36097-120	1	Pipe
5	36005-142	4	Vibro Isola-Ring Rubber
6	31062-105	3	Lock Hexagon Bolt(6 × 25mm)
7	51125-101	1	Fan
8	374L0620	4	Screw(6 × 20mm)
9	36065-161	1	Cover-Steel
10	51123-126	1	Fan Case-Rear
11	470L0530	12	Tapping Screw
12	11113-238	1	Stay
13	11113-239	1	Stay
14	61024-137	1	Spacer
15	21182100	1	O-Ring
16	335L0825	1	Flange Bolt(8 × 25mm)
17	511L0800	1	Hexagon Nut(8mm)
18	661L0800	1	Spring Lock washer(8mm)
19	612L0800	1	Plain Washer(8mm)
20	389L0516	2	Screw(5 × 16mm)
21	91010-161	1	Throttle Lever
22	511L0500	1	Hexagon Nut(5mm)
23	661L0500	1	Spring Lock Washer(5mm)
24	613L0500	1	Plain Washer(5mm)
25	41004-129	1	Switch Stop
26	41003-137	1	Tube
27	31058-106	6	Hexagon Nut(6mm)
28	31062-110	4	Tapping Screw
29	68028-102	1	Wire Band