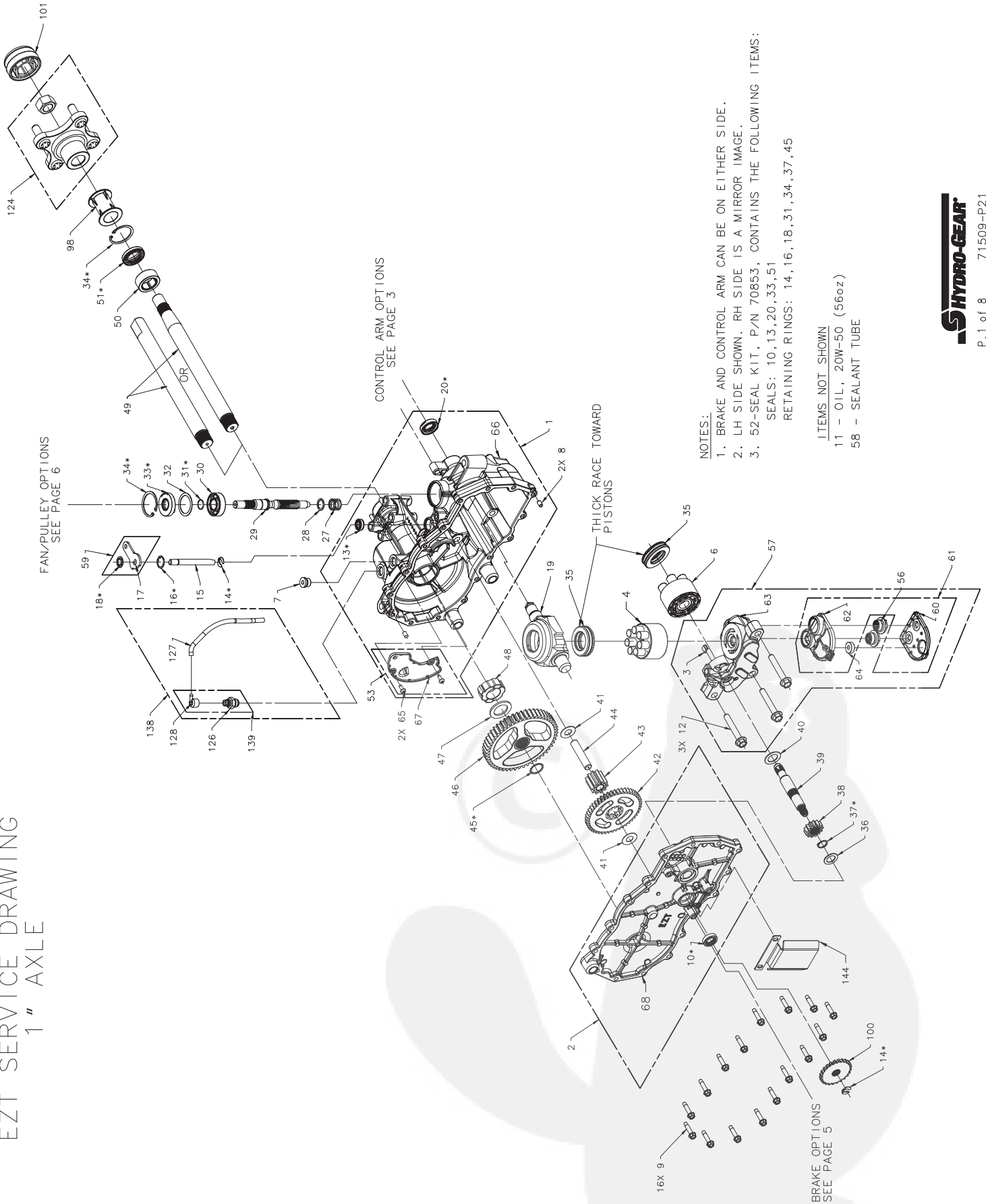


EZT SERVICE DRAWING 1" AXLE



- NOTES:
1. BRAKE AND CONTROL ARM CAN BE ON EITHER SIDE.
 2. LH SIDE SHOWN. RH SIDE IS A MIRROR IMAGE.
 3. 52-SEAL KIT, P/N 70853, CONTAINS THE FOLLOWING ITEMS:
SEALS: 10,13,20,33,51
RETAINING RINGS: 14,16,18,31,34,37,45

ITEMS NOT SHOWN
11 - OIL, 20W-50 (56oz)
58 - SEALANT TUBE

EZT SERVICE DRAWING 1" AXLE

MODEL NUMBER:
CHARACTER #:

Z	*	2	-	-	-	-	-	-	-	-	-	-	-	-
1			3	4	5	6	7	8	9	10	11	12	13	14

COMMON PARTS (ALL MODELS)

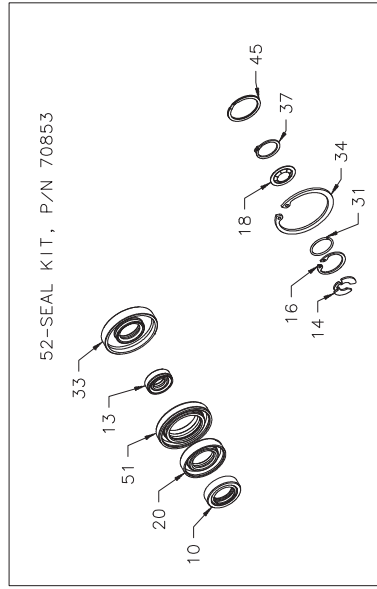
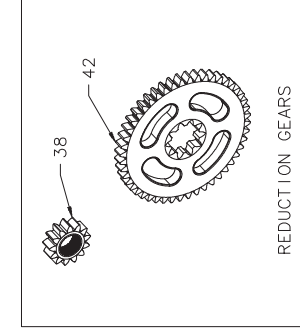
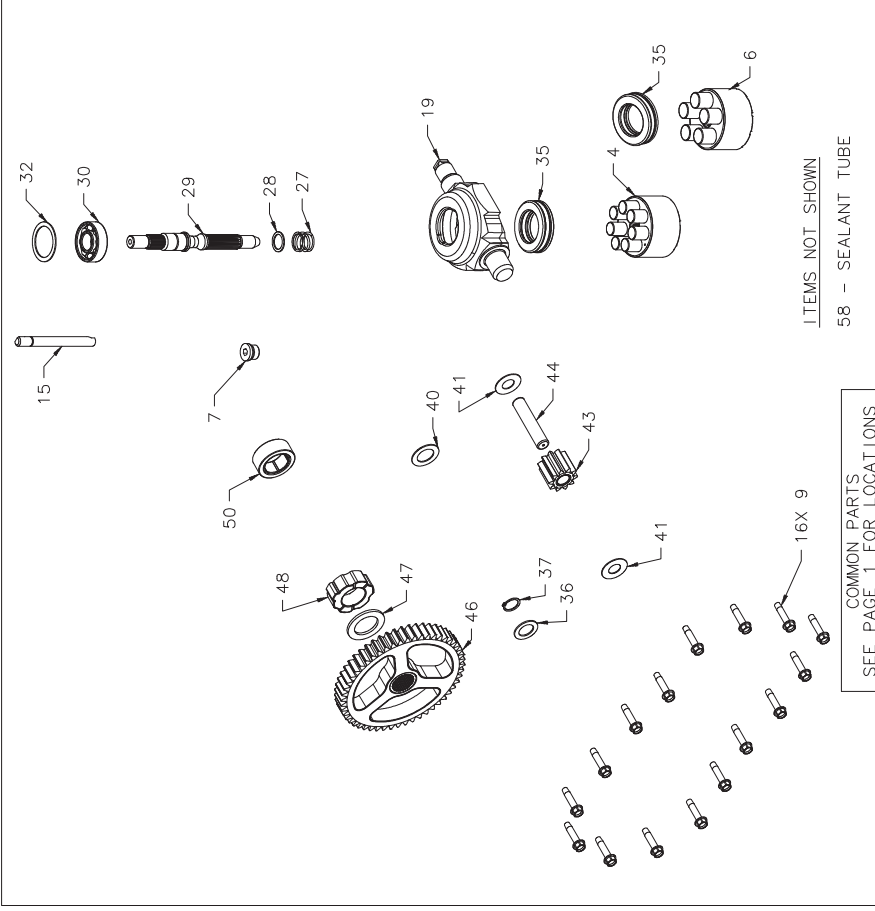
ITEM #	COMPONENT #	DESCRIPTION	QTY
4	70723	ASSEMBLY, PISTON BLOCK - 7P10CC	1
6	70331	ASSEMBLY, PISTON BLOCK - 5P10CC	1
7	9005110-5600	PLUG, 9/16-18 (METAL)	1
9	53246	HFCS, 1/4-20 X 1.125 (SELF TAPPING)	16
15	51625	ROD, BYPASS	1
19	51048	SMASHPLATE, TRUNNION, MACHINED	1
27	2003014	SPRING, HELICAL COMPRESSION	1
28	2003017	WASHER, .591 X .787 X .040	1
29	51062	SHAFT, INPUT	1
30	50315	BEARING, BALL 17MM ID X 40MM OD X 12MM	1
32	50951	SPACER	1
35	50551	BEARING, THRUST 30 X 52 X 1.3	2
36	44371	WASHER, 5/8 X 1.0 X .05	1
37	44145	RING, RETAINING	1
40	51069	WASHER, .71 X 1.16 X .04	1
41	50132	WASHER, HT .5 ID X 1.0 OD X .032	2
43	51043	GEAR, 10T JACKSHAFT	1
44	51083	PIN, JACKSHAFT	1
46	52541	GEAR, 52T BULL	1
47	52532	WASHER, 1.018 X 1.57 X .105	1
48	52542	SLEEVE BEARING (INBOARD)	1
50	51517	BEARING, SLEEVE, 1.00 X 1.57 X .62	1
52	70853	KIT, SEAL	1
58	50928	SEALANT TUBE	1

ITEM #52, SEAL KIT, P/N 70853

ITEM #	DESCRIPTION	QTY
10	SEAL, LIP .625 X 1.000 X .250	1
	SEAL, LIP .50 X .88 X .25	1
13	SEAL, LIP .375 X .75 X .25	1
14	RING, RETAINING .375 EXT	2
16	RING, RETAINING .750 INT	1
18	RING, RETAINING .375 EXT (PUSHNUT)	1
20	SEAL, LIP 18 X 32 X 7	1
31	RING, RETAINING WIRE .561 ID	1
33	SEAL, LIP 17 X 40 X 7	1
34	RING, RETAINING	2
37	RING, RETAINING	1
45	RING, SPIRAL RETAINING	1
51	SEAL, LIP 1.00 X 1.57 X .25	1
	SEAL, LIP .375 X .75 X .25	1

REDUCTION GEARS

CHAR 2	ITEM #	COMPONENT #	DESCRIPTION	QTY
C	38	51130	GEAR, PINION 13T	1
	42	51129	GEAR, 10T/48T	1
D	38	51767	GEAR, PINION 12T	1
	42	51766	GEAR, 10T/49T	1



EZT SERVICE DRAWING 1" AXLE

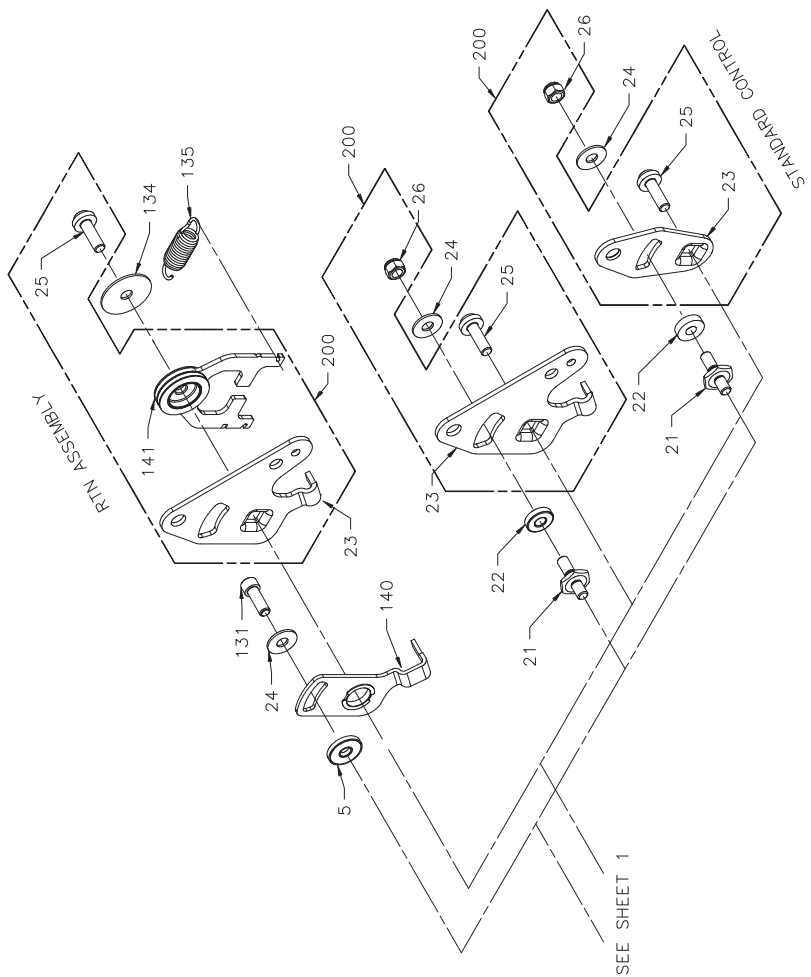
MODEL NUMBER:
CHARACTER #:

Z														
1	2													

CHAR 3	CHAR 9	CHAR 10	ITEM	COMPONENT	DESCRIPTION	QTY	
A,B,D	0,5	A	22	52298	WASHER, PLASTIC	1	
			200	71633	KIT, CONTROL ARM	1	
			22	51846	SPACER	1	
		B	200	71634	KIT, CONTROL ARM	1	
			22	51846	SPACER	1	
		C	200	71635	KIT, CONTROL ARM	1	
	AND EACH INCLUDES THE FOLLOWING:						
		0,5	A,B,C	21	50426	STUD, SHORT 5/16-24	1
			C	24	44130	WASHER, .34 X .88 X .06	1
		7,D,K			71592	KIT, RTN, BIDIRECTIONAL	1
		B		71588	KIT, RTN, BIDIRECTIONAL	1	
		F		71595	KIT, RTN, BIDIRECTIONAL	1	
	9,F,M		200	71593	KIT, RTN, CCW	1	
		G		71599	KIT, RTN, CCW	1	
	4,C,J			71597	KIT, RTN, CW	1	
		C		71594	KIT, RTN, CW	1	
	8,E,L			71600	KIT, RTN, CW	1	
		B		71589	KIT, RTN, CCW	1	
	3,B,H			71596	KIT, RTN, CCW	1	
		B		71588	KIT, RTN, BIDIRECTIONAL	1	
	7,D,K			71595	KIT, RTN, BIDIRECTIONAL	1	
		C		71592	KIT, RTN, BIDIRECTIONAL	1	
	2,A,G			71598	KIT, RTN, BIDIRECTIONAL	1	
		B		71590	KIT, RTN, CW	1	
	9,F,M		200	71597	KIT, RTN, CW	1	
		F		71593	KIT, RTN, CCW	1	
	4,C,J			71599	KIT, RTN, CCW	1	
		B		71589	KIT, RTN, CCW	1	
	8,E,L			71596	KIT, RTN, CCW	1	
		C		71594	KIT, RTN, CW	1	
	3,B,H			71600	KIT, RTN, CW	1	

CHAR 9	CHAR 10	ITEM #	COMPONENT #	DESCRIPTION	QTY
2-9 G-M A-D	B	140	51945	ARM, NEUTRAL RIGHT	1
	C	140	51946	ARM, NEUTRAL LEFT	1
	F	140	51945	ARM, NEUTRAL RIGHT	1
	G	140	51946	ARM, NEUTRAL LEFT	1
AND EACH INCLUDES THE FOLLOWING:					
2-9 G-M A-D		5	52527	SPACER, .320 X 1.005 X .179	1
		24	44130	WASHER, .34 X .88 X .06	1
	B,C,F,G	131	51616	SHCS 5/16-24X1 PATCH	1
		134	51950	WASHER, .343 X 1.500 X .062	1

CHAR 9	ITEM #	COMPONENT #	DESCRIPTION	QTY
SPRING				
2,3,4,7,8,9 G-M A-D	135	52401	SPRING, EXTENSION CLEAR ZINC	1
	135	51605	SPRING, EXTENSION YELLOW ZINC	1
	135	51833	SPRING, EXTENSION	1



EZT SERVICE DRAWING 1" AXLE

MODEL NUMBER:
CHARACTER #:

Z
1 2

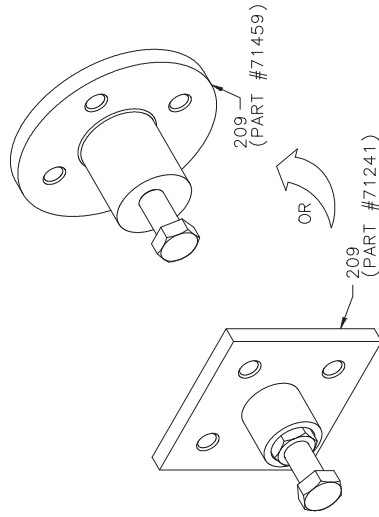
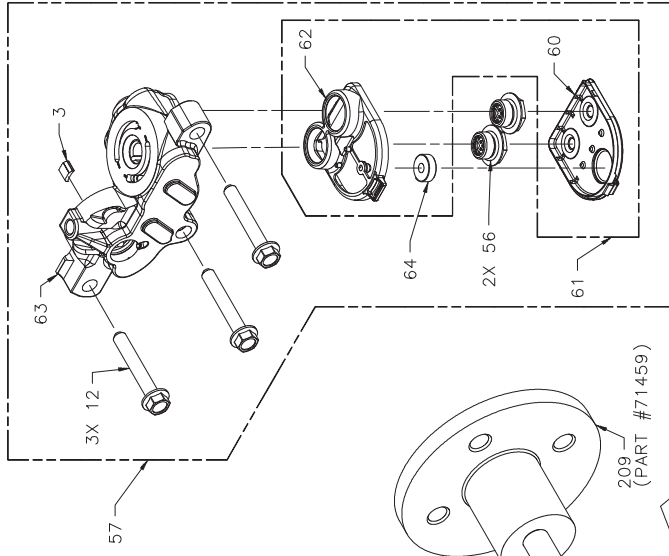
* * * * *
3 4 5 6

7 8 9 10

11 12 13 14

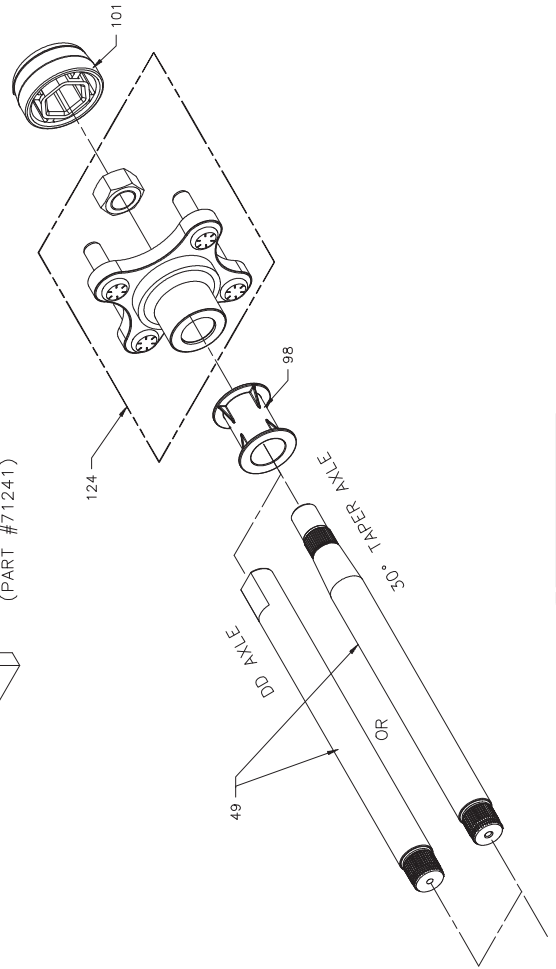
CENTER SECTION & FILTER KITS

CHARACTER 3	CHARACTER 5.6	ITEM #	COMPONENT #	DESCRIPTION	QTY		
A, B	B	57	71530	KIT, CENTER SECTION, W/ FILTER-RH	1		
		(63)		CENTER SECTION, RH, 7P	1		
		(3)		PLATE, BYPASS	1		
		(12)		BOLT, HEX FLANGE 3/8-24 X 2.5	3		
		(60)		ASSEMBLY, COVER	1		
		(62)		FILTER, BASE	1		
		(64)		MAGNET	1		
		(56)		CHECK PLUG ASSEMBLY, .027, WASHER	2		
		61	71497	KIT, FILTER	1		
		(60)		ASSEMBLY, COVER	1		
		(62)		FILTER, BASE	1		
		(64)		MAGNET	1		
		D	B	57	71529	KIT, CENTER SECTION, W/ FILTER-LH	1
				(63)		CENTER SECTION, LH, 7P	1
(3)				PLATE, BYPASS	1		
(12)				BOLT, HEX FLANGE 3/8-24 X 2.5	3		
(60)				ASSEMBLY, COVER	1		
(62)				FILTER, BASE	1		
(64)				MAGNET	1		
(56)				CHECK PLUG ASSEMBLY, .027, WASHER	2		
61	71497			KIT, FILTER	1		
(60)				ASSEMBLY, COVER	1		
(62)				FILTER, BASE	1		
(64)				MAGNET	1		



AXLE COMPONENTS

CHARACTER 4	ITEM #	COMPONENT #	DESCRIPTION	QTY
A	49	72181	KIT, AXLE SHORT	1
	98	53730	TUBE, AXLE	1
C	101	53088	CAP, AXLE	1
	124	72181	KIT, AXLE SHORT	1
F	49	72182	KIT, AXLE LONG	1
	98	53731	TUBE, AXLE	1
H	101	53088	CAP, AXLE	1
	124	72182	KIT, AXLE LONG	1
M	49	52545	SHAFT, AXLE	1
	98	53706	SHAFT, AXLE	1
P	101	53507	TUBE, AXLE	1
	124	72183	KIT, HUB 1/2-20	1
R	49	53705	SHAFT, AXLE	1
	98	53706	SHAFT, AXLE	1
U	101	53731	TUBE, AXLE	1
	124	53088	CAP, AXLE	1
			KIT, HUB 1/2-20	1



HUB PULLER (INCLUDES BOLT)

CHARACTER 4	ITEM #	COMPONENT #	DESCRIPTION	QTY
A, C, P	209	71459	HUB PULLER (4 BOLT)	1
U, H, F		71241	HUB PULLER (4 BOLT)	1

EZT SERVICE DRAWING

1" AXLE

MODEL NUMBER:
CHARACTER #:

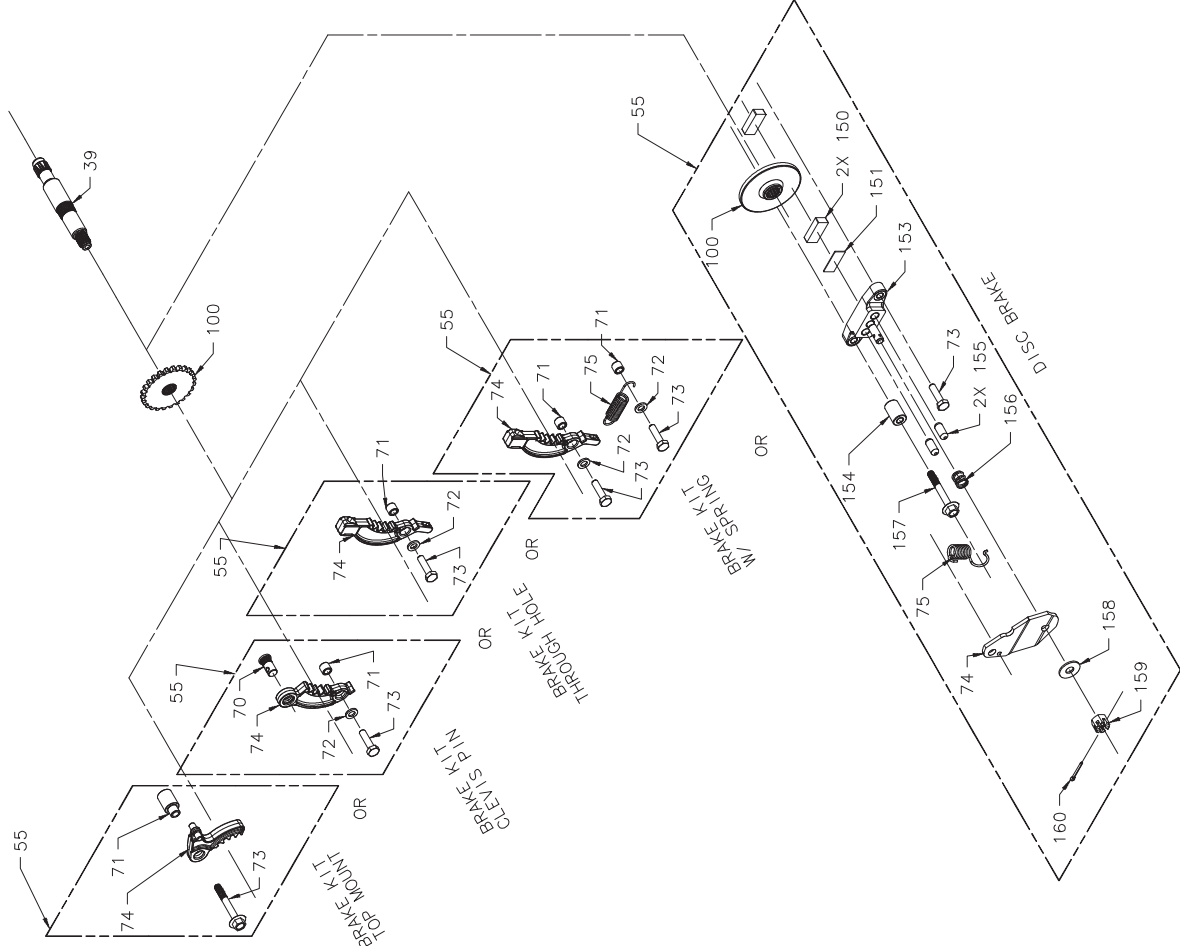
Z 1 2

- * 3 4 5 6

- * 7 8 9 10

- 11 12 13 14

CHAR 3	CHAR 7	CHAR 8	ITEM #	COMPONENT #	DESCRIPTION	QTY
A, B	A, C, K, M		55	71069	KIT, BRAKE ARM/CLEVIS PIN, LH	1
			(74)		ARM, BRAKE	1
			(70)		PIN, CLEVIS	1
			(71)		BUSHING .260X .394X .330 LG	1
			(72)		WASHER, .28 X .50 X .063	1
			(73)		BOLT, 1/4-20 X 1 W/PATCH	1
			55	71070	KIT, BRAKE ARM/CLEVIS PIN, RH	1
			(74)		ARM, BRAKE	1
			(70)		PIN, CLEVIS	1
			(71)		BUSHING .260X .394 X .330 LG	1
2	B, D, J, L		(72)		WASHER, .28 X .50 X .063	1
			(73)		BOLT, 1/4-20 X 1 W/PATCH	1
			55	71069	KIT, BRAKE ARM/CLEVIS PIN, LH	1
			(74)		ARM, BRAKE	1
			(70)		PIN, CLEVIS	1
			(71)		BUSHING .260X .394X .330 LG	1
			(72)		WASHER, .28 X .50 X .063	1
			(73)		BOLT, 1/4-20 X 1 W/PATCH	1
			55	71070	KIT, BRAKE ARM/CLEVIS PIN, RH	1
			A, B, D	A, C, K, M		(74)
(70)		PIN, CLEVIS				1
(71)		BUSHING .260X .394 X .330 LG				1
(72)		WASHER, .28 X .50 X .063				1
(73)		BOLT, 1/4-20 X 1 W/PATCH				1
55	70865	KIT, BRAKE ARM, THROUGH HOLE				1
(74)		ARM, BRAKE				1
(71)		BUSHING .260X .394 X .330 LG				1
(72)		WASHER, .28 X .50 X .063				1
(73)		BOLT, 1/4-20 X 1 W/PATCH				1
A, B, D	A, C, K, M		55	71356	KIT, BRAKE ARM W/ SPRING	1
			(74)		ARM, BRAKE	1
			(75)		SPRING, EXTENSION	1
			(71)		BUSHING .260X .394X .330 LG	1
			(72)		WASHER, .28 X .50 X .063	2
			(73)		BOLT, 1/4-20 X 1 W/PATCH	2
			55	71560	KIT, BRAKE ARM, TOP MOUNT	1
			(71)		SPACER	1
			(74)		ARM, BRAKE	1
			(73)		HFHCS 1/4-20 X 2.0 (PATCH)	1



CHAR 7	CHAR 8	ITEM #	COMPONENT #	DESCRIPTION	QTY
2, 3, 4	A-D	39	51632	SHAFT, MOTOR	1
		100	51635	DISC, COG BRAKE	1
		39	51845	SHAFT, MOTOR	1
		100	51635	DISC, COG BRAKE	1
		39	52580	SHAFT, MOTOR	1
X, B	A	39	52579	SHAFT, MOTOR	1
		39	51845	SHAFT, MOTOR	1
5	W	100	51635	DISC, COG BRAKE	1

CHAR 7	ITEM #	COMPONENT #	DESCRIPTION	QTY
B	55	71646	KIT, BRAKE	1
		71892	KIT, BRAKE	1
		71893	KIT, BRAKE	1
		72082	KIT, BRAKE	1

KITS INCLUDE ITEMS: 73, 74, 75, 100, 150, 151, 153, 154, 155, 156, 157, 158, 159, 160

EZT SERVICE DRAWING 1" AXLE

MODEL NUMBER:
CHARACTER #:

Z 1 2

- -

3 4 5 6

- -

7 8 9 10

- -

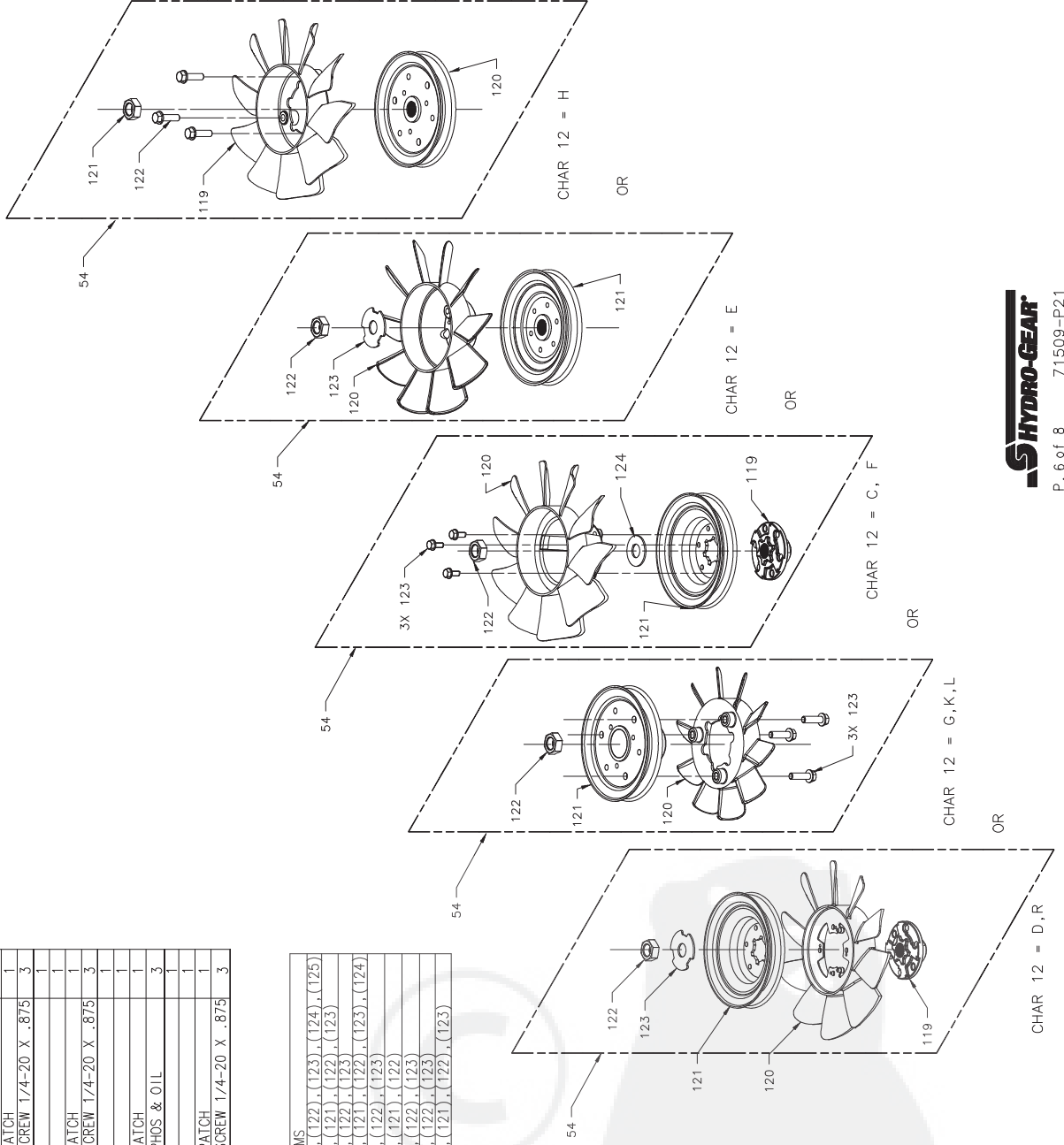
11 12 13 14

FAN & PULLEY KIT

CHAR 12	ITEM#	COMPONENT #	DESCRIPTION	QTY
F	120	51862	FAN, 7", 10 BLADE	1
FAN OVER PULLEY	121	51875	PULLEY 4.5 X 1.625	1
	122	44133	NUT, HEX JAM 1/2-20 W/PATCH	1
G	123	51523	WASHER, OD SLOTTED .53X1.63X.0	1
PULLEY OVER FAN	120	51579	FAN, 6", 10 BLADE	1
	121	51585	PULLEY, 4"	1
	122	44133	NUT, HEX JAM 1/2-20 W/PATCH	1
	123	51076	HEX WASHER HD TAPPING SCREW 1/4-20 X .875	3
H	119	52576	FAN, 7", 10 BLADE	1
PULLEY OVER FAN	120	51182	PULLEY Ø4.5	1
	121	44133	NUT, HEX JAM 1/2-20 W/PATCH	1
	122	51076	HEX WASHER HD TAPPING SCREW 1/4-20 X .875	3
K	120	52315	FAN, 7", 10 BLADE	1
PULLEY OVER FAN	121	50302	PULLEY 4.5 X 1.625	1
	122	44133	NUT, HEX JAM 1/2-20 W/PATCH	1
	123	51076	HFHCS 1/4-20X .875 BLK PHOS & OIL	3
L	120	52735	FAN, 7", 10 BLADE	1
PULLEY OVER FAN	121	50302	PULLEY, 4.5-IN	1
	122	44133	NUT, HEX JAM 1/2-20 W/PATCH	1
	123	51523	HEX WASHER HD TAPPING SCREW 1/4-20 X .875	3

FAN & PULLEY KIT

CHAR 12	ITEM#	COMPONENT #	DESCRIPTION	QTY	CONTAINS ITEMS
C	54	72020	KIT, FAN-PULLEY	1	(120), (121), (122), (123), (124), (125)
D	54	71895	KIT, FAN-PULLEY	1	(119), (120), (121), (122), (123)
E	54	70489	KIT, FAN-PULLEY	1	(120), (121), (122), (123)
F	54	71937	KIT, FAN-PULLEY	1	(119), (120), (121), (122), (123), (124)
G	54	70770	KIT, FAN-PULLEY	1	(120), (121), (122), (123)
H	54	71826	KIT, FAN-PULLEY	1	(119), (120), (121), (122)
K	54	71333	KIT, FAN-PULLEY	1	(120), (121), (122), (123)
L	54	71699	KIT, FAN-PULLEY	1	(120), (121), (122), (123)
R	54	71721	KIT, FAN-PULLEY	1	(119), (120), (121), (122), (123)



EZT SERVICE DRAWING 1" AXLE

MODEL NUMBER:
CHARACTER #:

Z
1 2

- *
- 3 4 5 6

- * * * * *
- 7 8 9 10

- * * * * *
- 11 12 13 14

MAIN HOUSING KITS

CHAR 7	CHAR 3	CHAR 9	CHAR 8	ITEM#	COMPONENT #	DESCRIPTION	QTY	ITEMS INCLUDED
2, B, 5	A, B	0-4, A-C, G-J	J-M	71585	RH W/BRAKE	1	8,65,66,67	
			A-D	71030R	RH	1	8,65,66,67	
			A-D	70862R	RH W/CNTL	1	8,65,66,67	
			J-M, W, Y, Z	71098	RH W/CNTL AND BRAKE	1	8,65,66,67	
			A-D	71030L	LH	1	8,65,66,67	
	D	0-4, A-C, G-J	A-D	70862L	LH W/CNTL	1	8,65,66,67	
			J-M, W, Y, Z	71097	LH W/CNTL AND BRAKE	1	8,65,66,67	
			A OR D	71030R	RH	1	8,65,66,67	
			J OR M	71585	RH W/BRAKE	1	8,65,66,67	
			L	70974R	RH W/CNTL AND BRAKE, MOD BOSS	1	8,65,66,67	
3, 4	A, B	5-9, D-F, K-M	J-M, Y, Z	70862R	RH W/CNTL	1	8,65,66,67	
			A OR D	71098	RH W/CNTL AND BRAKE	1	8,65,66,67	
			J-M, Y, Z	71030L	LH	1	8,65,66,67	
			A OR D	70862L	LH W/CNTL	1	8,65,66,67	
			J-M, Y, Z	71097	LH W/CNTL AND BRAKE	1	8,65,66,67	
	D	0-4, A-C, G-J	A-D	70974L	LH W/CNTL AND BRAKE, MOD BOSS	1	8,65,66,67	

SIDE HOUSING KITS

CHAR 3	CHAR 9	CHAR 8	ITEM#	COMPONENT #	DESCRIPTION	QTY	ITEMS INCLUDED
A, B	0-4, A-C, G-J	A-D	71031R	COVER, SIDE, RH W/CNTL, BRAKE	1	68	
		J-M	71586	COVER, SIDE, RH W/CNTL	1	68	
		A-D	70863R	COVER, SIDE, RH W/BRAKE	1	68	
		J-M, W, Y, Z	70983R	COVER, SIDE, RH	1	68	
		A-D	71031L	COVER, SIDE, LH W/CNTL, BRAKE	1	68	
	D	0-4, A-C, G-J	A-D	70863L	COVER, SIDE, LH W/BRAKE	1	68
			J-M, W, Y, Z	70983L	COVER, SIDE, LH	1	68

EXPANSION TANK

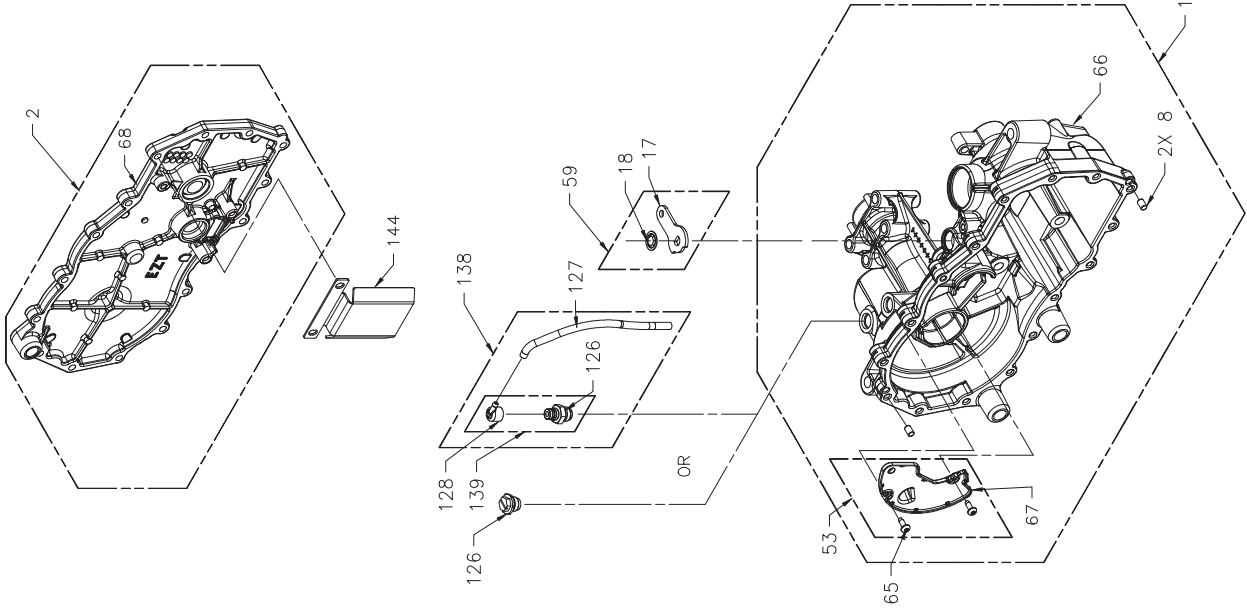
CHAR 14	CHAR 3	ITEM#	COMPONENT #	DESCRIPTION	QTY	ITEMS INCLUDED
X, A	D	53	70868R	PLATE EXPANSION, RH	1	65,67
			70868L	PLATE EXPANSION, LH	1	65,67
A	-----	144	52112	DEFLECTOR, BELT	1	144
			N/A	NONE	N/A	N/A

BYPASS: CONTAINS ITEMS 17 & 18

CHARACTER 11	ITEM #	COMPONENT #	DESCRIPTION	QTY
1	59	70891	KIT, BYPASS ARM W/ THRU HOLE	1
2	59	71006	KIT, BYPASS ARM W/ STUD	1
3	59	71357	KIT, BYPASS ARM W/ STUD	1
4	59	72084	KIT, BYPASS	1

BREATHER

CHAR 13	ITEM#	COMPONENT #	DESCRIPTION	QTY
X	126	9005200-5600	PLUG 9/16-18 (PLASTIC)	1
	126	71393	FITTING ASSEMBLY	1
	138	71510	KIT, BREATHER ASSEMBLY	1
P	(126)	(126)	ASSEMBLY, FITTING 9/16	1
	(127)	(127)	HOSE, EXP TANK	1
	(128)	(128)	CAP, BARBED VENT	1
	139	71524	KIT, BREATHER ASSEMBLY	1
	(128)	(128)	CAP, BARBED VENT ASSEMBLY, FITTING 9/16	1



EZT SERVICE DRAWING 1" AXLE

REFERENCE NO.	SUPERSEDED MODEL	CURRENT MODEL NO.
112-4760	ZA-AMBB-3D5A-1CXX (105-3492)	ZC-AHBB-3D5A-2CPX
	ZA-AMBB-3D5A-2CXX (108-2394)	
	ZA-AHBB-3D5A-2CXX (110-6510)	
	ZA-DMBB-3D5A-1DXX (105-3491)	
	ZA-DMBB-3D5A-2DXX (108-2393)	
	ZA-DHBB-3D5A-3DXX (110-6511)	
	ZA-AHBB-2A7B-1DXX	
	ZA-DHBB-2A7C-1DFX	
	ZB-AKBB-2L5B-1DMX	
	ZC-AHBB-2L5B-1DPX	
D-3753-01	ZB-DKBB-2L5C-1DMX	72077
	ZB-DKBB-2L5C-1DAX	
	ZB-AKBB-2L5B-1LWX	
	ZB-AKBB2L5B-1LAX	
	ZB-DKBB-2L5C-1LWX	
	ZB-DKBB-2L5C-1LAX	
	ZA-AFBB-3D7B-2D6X (618-04163)	
	ZA-AFBB-3D7B-2DHX (618-04163A)	
	ZA-AFBB-3D7B-2DEB (618-04327)	
	ZA-AFBB-4D7B-3LJX ZA-AFBB-4D7B-3RJX	
618-04432	ZA-DFBB-3D7C-2D6X (618-04164)	71649
	ZA-DFBB-3D7C-2DHX (618-04164A)	
	ZA-DFBB-3D7C-2DEB (618-04326)	
	ZA-DFBB-4D7C-2LJX ZA-DFBB-4D7C-2RJX	
	ZB-AKBB-XZLB-1DNX ZB-DKBB-XZLC-1DNX	
	ZA-AHBB-3D5A-2DCX	
	ZB-AKBB-3D5A-2DCX	
	ZA-DHBB-3D5A-2D6X	
	ZA-DHBB-3D5A-2DXX	
	ZB-DKBB-3D5A-2DCX	
618-04431	ZA-ACBB-3M5A-1EDX ZA-ACBB-3M5A-1EDA ZC-ACBB-3M5A-1EPA	71650
	ZA-DCBB-3M5A-1EBX	
	ZA-DCBB-3M5A-1EBA	
	ZA-DCBB-3D0A-1DBX	
	ZA-ACBB-3D0A-1DBX	
	ZA-DHBB-2L7C-1EBX	
	ZA-DHBB-2K7C-1EBX	
	ZA-AHBB-2L7B-1EBX	
	ZA-AHBB-2K7B-1EBX	
	ZC-AHBB-2K7B-1EPX	

REFERENCE NO.	SUPERSEDED MODEL	CURRENT MODEL NO.
16400	ZA-DCBB-3D2B-1DBX	ZC-DCBB-3D2B-1DPX
16401	ZA-ACBB-3D2C-1DBX	ZC-ACBB-3D2C-1DPX
16568	ZA-DHBB-2K8C-1EBX	ZC-DHBB-2K8C-1EPX
16569	ZA-AHBB-2K8B-1EBX	ZC-AHBB-2K8B-1EPX
14331	ZA-DCBB-2K5A-1DBX	ZC-DCBB-2K5A-1DPX
14332	ZA-ACBB-2K5A-1DBX	ZC-ACBB-2K5A-1DPX
00177200	ZA-AHBB-2L7B-1DBX	ZC-AHBB-2K7B-1DPX
00177300	ZA-DHBB-2L7C-1DBX	ZC-DHBB-2K7C-1DPX
00348000	ZA-ACBB-3D7B-1GBX	ZC-ACBB-3D7B-1GFX
00348100	ZA-DCBB-3D7C-1GBX	ZC-DCBB-3D7C-1GFX
00498100	ZB-DKBB-3D7C-1LBX	ZC-DHBB-3D7C-1LPX
00498200	ZB-AKBB-3D7B-1LBX	ZC-AHBB-3D7B-1LPX
001609400	ZB-AKBB-3D7B-1LBX	ZC-ACBB-2D2C-1DPX
001609500	ZA-ACBB-2D2C-1DBX	ZC-DCBB-2D2B-1DPX
78111	ZA-DCBB-3A5A-1DXX	ZC-DCBB-3A5A-1DPX
78112	ZA-DHBB-2D5A-2DCX	ZC-DHBB-2D5A-2DPX
	ZA-AHBB-2D5A-2DCX	ZC-AHBB-2D5A-2DPX
	ZC-ACBB-XYLB-1EPA	72079