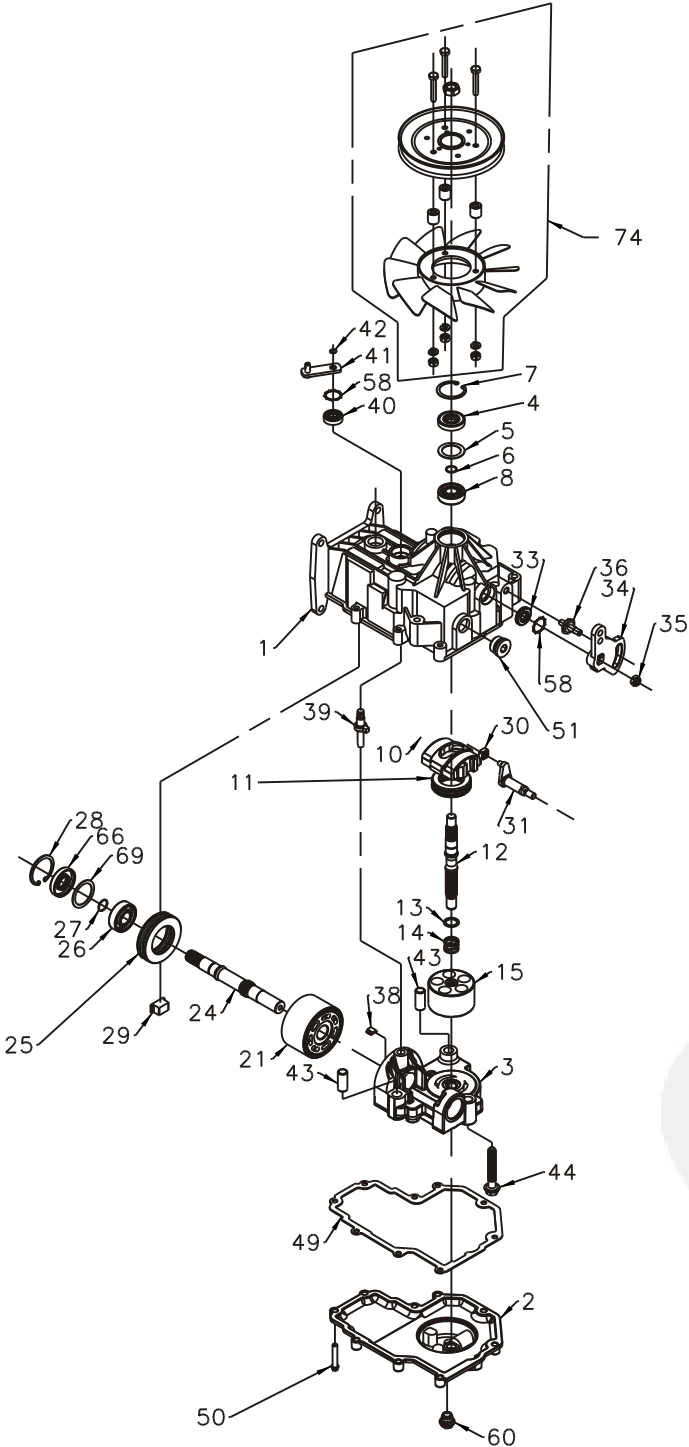


BDR-312



71 - 20W-50 OIL  
73 - SEAL KIT



# BDR-312

ITEM #	PART #	QTY	DESCRIPTION
1	70834	1	UPPER HOUSING ASSEMBLY
		1	UPPER HOUSING
		1	TRUNNION BEARING
		2	CRADLE BEARING
2	51611	1	LOWER HOUSING
3	70709	1	KIT, CENTER SECTION
		1	CENTER SECTION
		1	BUSHING, .673 X 1.0 X .7
		1	PLATE, BYPASS
		3	HFHCS 3/8-24 X 2.5 (PATCH)
		2	CHECK PLUG ASSEMBLY (.027)
		1	LIP SEAL
		1	SPACER
		1	WIRE RETAINING RING
		1	RETAINING RING
4	9008000-0128	1	LIP SEAL
5	2003018	1	SPACER
6	2003016	1	WIRE RETAINING RING
7	2003052	1	RETAINING RING
8	2003043	1	BALL BEARING
10	2003087	1	VARIABLE SWASHPLATE
11	50551	1	THRUST BEARING 30 X 52 X 13
12	2003021	1	INPUT SHAFT
13	2003017	1	BLOCK THRUST WASHER
14	2003014	1	BLOCK SPRING
15	70331	1	10cc CYLINDER BLOCK ASSEMBLY
		5	PISTON SEAT WASHER
		5	10cc PISTON
		1	10cc CYLINDER BLOCK
		5	10cc PISTON SPRING
		1	21cc CYLINDER BLOCK ASSEMBLY
21	70082	1	21cc CYLINDER BLOCK
		7	PISTON SEAT WASHER
		7	21cc PISTON
		7	21cc PISTON SPRING
		1	OUTPUT (MOTOR) SHAFT
		1	THRUST BEARING 42 X 68 X 16
24	50933	1	OUTPUT (MOTOR) SHAFT
25	50552	1	THRUST BEARING 42 X 68 X 16
26	50315	1	BALL BEARING
27	2000022	1	WIRE RETAINING RING
28	50329	1	RETAINING RING
29	50649	1	RETAINER, MOTOR BEARING

ITEM #	PART #	QTY	DESCRIPTION
30	2000015	1	SLOT GUIDE
31	50807	1	TRUNNION ARM
33	51041	1	LIP SEAL
34	50733	1	ARM, CONTROL
35	50108	1	HEX LOCK NUT, 5/16-24
36	50426	1	STUD, 5/16-24
38	70680	1	KIT, BYPASS PLATE
39	2003555	1	BYPASS ACTUATOR
40	45074	1	LIP SEAL
41	50270	1	BYPASS ARM
42	44870	1	RETAINING RING
43	50002	2	PIN
44	50016	3	SCREW
49	50331	1	GASKET
50	44876	9	SCREW-SELF TAPPING
51	9005110-8700	1	DRAIN PLUG
58	50650	2	RETAINING RING
60	9005200-5600	1	PLASTIC PLUG
66	51161	1	LIP SEAL 17 X 40 X 7
69	50951	1	SPACER
71		34.6 oz	20W50 OIL
73	70490	1	SEAL KIT
74	70418	1	KIT, FAN/PULLEY
		1	FAN, 7"
		1	PULLEY, 5.5"
		3	SCREW, 1/4-20 X 1 1/2
		3	NUT, 1/4-20
		3	LOCKWASHER
		3	SPACER
		1	NUT, 1/2-20