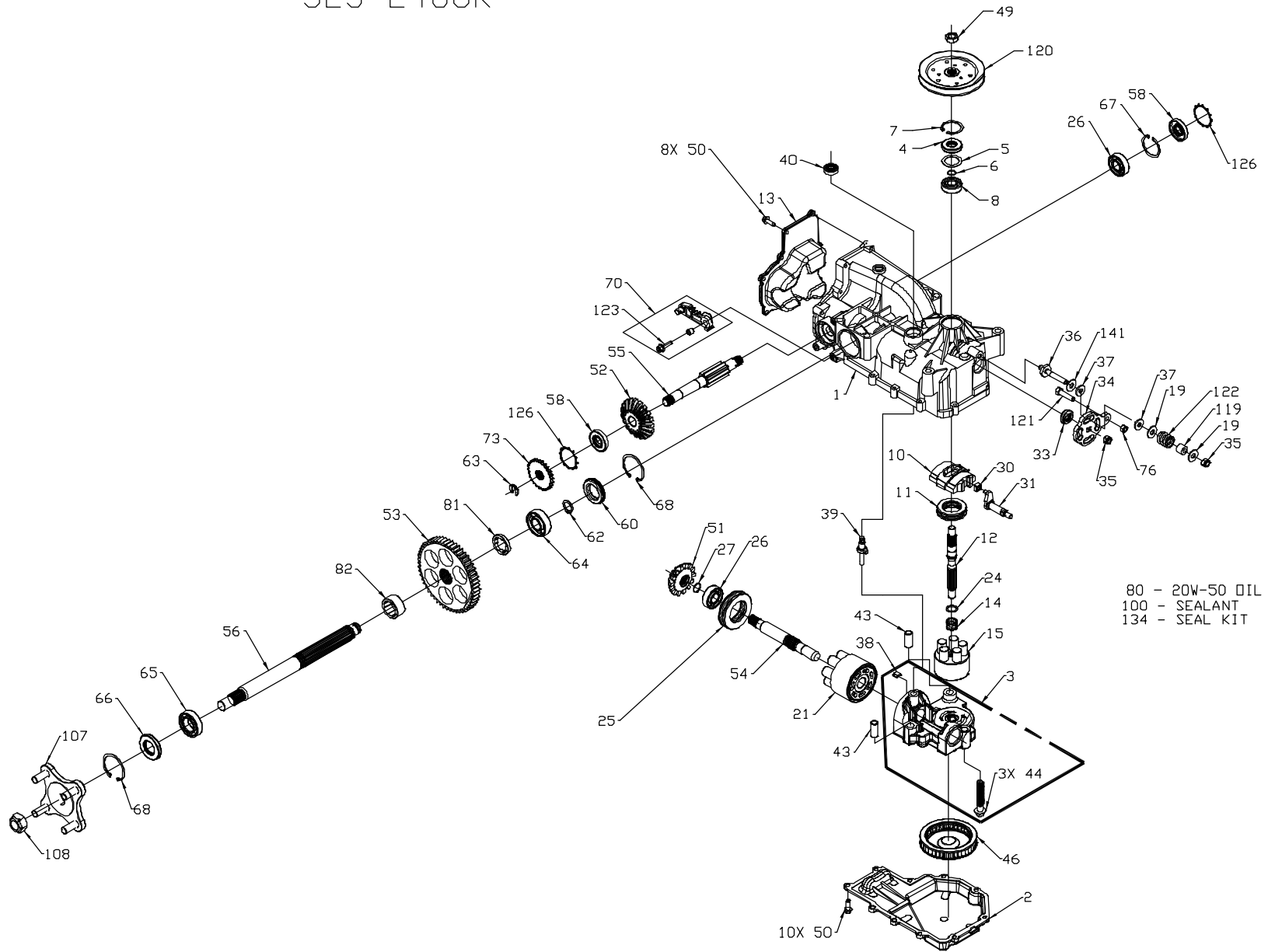


5750A  
323-2400R



80 - 20W-50 OIL  
100 - SEALANT  
134 - SEAL KIT

5750A  
323-2400R

ITEM #	PART #	QTY	DESCRIPTION
1	70652	1	KIT, HOUSING-MAIN
		1	HOUSING, MAIN
		2	CRADLE BEARING
		1	SEAL, LIP 12 X 25 X 7
		1	TRUNNION BUSHING
		1	SHAFT, BRAKE
		1	SCREW, HFHC 1/4-28 X 7/8 (PATCH)
		1	WASHER .34 X .88 X .03
2	50890RM	1	LOWER HOUSING
3	70667	1	KIT, CENTER SECTION
		1	CENTER SECTION
		1	BUSHING .67 X 1.03 X .75
		1	PLATE, BYPASS
		3	SCREW 3/8-24 X 2.5
		2	CHECK PLUG ASSEMBLY, .027
		1	LIP SEAL
4	9008000-0128	1	SPACER
5	2003018	1	WIRE RETAINING RING
6	2003016	1	RETAINING RING
7	2003052	1	BALL BEARING
8	2003043	1	VARIABLE SWASHPLATE
10	2003087	1	THRUST BEARING 30 X 52 X 13
11	50551	1	INPUT SHAFT
12	50005	1	COVER-BACK
13	50891RM	1	SPRING, BLOCK
14	2003014	1	10cc CYLINDER BLOCK ASS'Y
15	70331	1	10cc CYLINDER BLOCK
		5	10cc PISTON SPRING
		5	PISTON SEAT WASHER
		5	10cc PISTON
19	44130	2	WASHER
21	70082	1	21cc CYLINDER BLOCK ASS'Y
		1	21cc CYLINDER BLOCK
		7	21cc PISTON SPRING
		7	PISTON SEAT WASHER
		7	21cc PISTON
		1	WASHER, BLOCK THRUST
24	2003017	1	THRUST BEARING 42 X 68 X 16
25	50552	1	BALL BEARING
26	50315	2	WIRE RETAINING RING
27	2000022	1	SLOT GUIDE
30	2000015	1	TRUNNION ARM
31	50807	1	LIP SEAL
33	9008000-0126	1	CONTROL ARM
34	50749	1	NUT
35	50317	2	STUD - LONG 5/16-24
36	50284	1	FRICITION PUCK
37	50281	2	KIT, BYPASS PLATE
38	70680	1	BYPASS ACTUATOR
39	2003555	1	LIP SEAL
40	45074	1	PIN
43	50002	2	SCREW
44	50016	3	FILTER
46	50990	1	HEX NUT 1/2-20
49	44133	1	SCREW, 1/4-20 X .75 LONG
50	50752	18	14T BEVEL GEAR
51	50744	1	19T BEVEL GEAR
52	50745	1	53T SPUR GEAR
53	50746	1	

ITEM #	PART #	QTY	DESCRIPTION
54	51298	1	MOTOR SHAFT
55	51298	1	BRAKE SHAFT
56	50748	1	AXLE SHAFT
58	51161	2	SEAL, LIP 17 X 40 X 7
60	50995	1	SEAL PLUG - SIDE
62	50759	1	RETAINING RING - AXLE
63	51109	1	RETAINING RING KIT
64	50743	1	BEARING-BALL 20X47X14(6204)
65	50740	1	BEARING-BALL 25X47X12(6005)
66	50751	1	SEAL
67	50329	1	RETAINING RING
68	50760	2	RETAINING RING-AXLE
70	70392	1	RH, BRAKE ARM SERVICE ASSEMBLY
		1	BRAKE ARM
		1	CLEVIS PIN
		1	BUSHING .255 X .381 X .330
		1	SCREW, HFHC 1/4-28 X 7/8 (PATCH)
		1	SCREW, HEX WASHER HEAD 1/4-20 X 7/8
73	50754	1	BRAKE DISC
76	43083	1	NUT, HEX 5/16-18
80		79oz	20W-50 OIL
81	50942-2	1	AXLE BUSHING
82	50942-1	1	AXLE BUSHING
100	50928	1	SEALANT
107	70314	1	HUB ASSEMBLY
		1	HUB
		1	BOLT, LUG
108	50863	1	NUT, HEX 3/4-16
119	50278	1	SPACER
120	51182	1	PULLEY, 4.5
121	51047	1	BOLT 5/16-18 X 1-1/4
122	50277	1	HELICAL COMP. SPRING
123	51576	1	SCREW, HFHC 1/4-28 X 7/8 (PATCH)
126	51316	2	RING, RETAINING
134	70553	1	KIT, SEAL
		1	SEAL, LIP 15 X 35 X 7
		1	RING, RETAINING
		1	SEAL, LIP 12 X 25 X 7
		1	SEAL, LIP 10 X 25 X 7
		1	RING, RETAINING
		18	HFHCS 1/4-20 X .75 (ZINC)
		1	SEAL PLUG (1.86)
		1	RING, RETAINING
		1	RING, RETAINING .440 EXTERNAL
		1	SEAL, LIP 25 X 47 X 7
		1	RING, RETAINING
		2	RING, RETAINING
		2	RING, RETAINING
141	51575	1	WASHER .34 X .88 X .03

