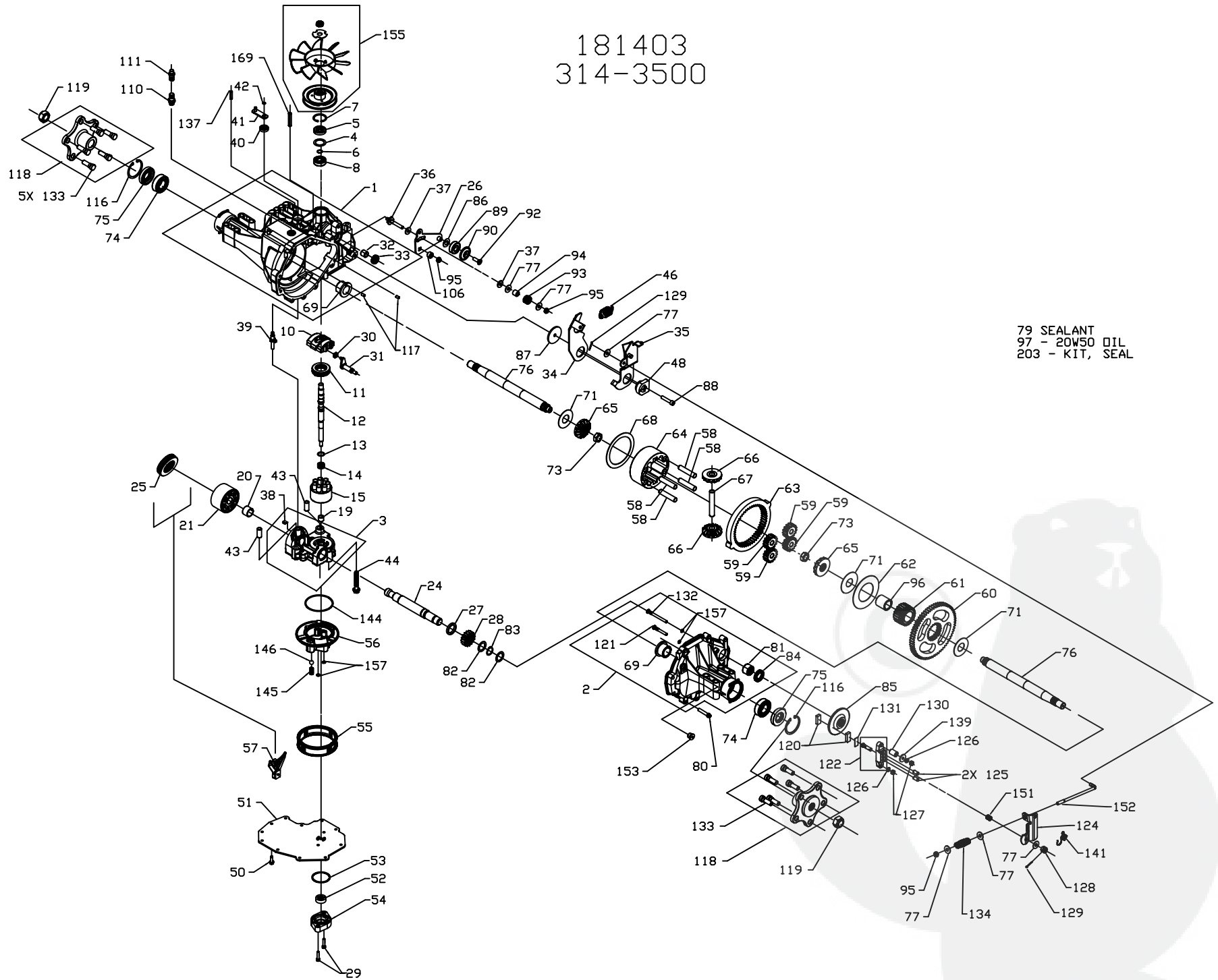
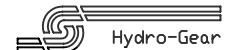


181403  
314-3500



79 SEALANT  
97 - 20W50 OIL  
203 - KIT, SEAL



181403  
314-3500

ITEM #	PART #	QTY	DESCRIPTION
1	70297	1	MAIN HOUSING ASSEMBLY
		1	MAIN HOUSING
		1	LIP SEAL
		1	FLANGE BEARING
		1	TRUNNION BUSHING
2	70300	2	CRADLE BEARING
		1	R. H. HOUSING ASSEMBLY
		1	RH HOUSING
		1	FLANGE BEARING
		2	O-RING
		1	RIB NECK BOLT, 2"
		1	RIB NECK BOLT, 3"
		1	NEEDLE BEARING (SCE1412)
		1	LIP SEAL (.875I. D. X 1.30. D. X .25)
3	70780	1	KIT,CENTER SECTION, 7 PISTON
		1	CENTER SECTION
		1	BUSHING .50 X .60 X .50
		1	BUSHING, .90 X 1.02 X .75
		1	PLATE, BYPASS
		1	CHECK PLUG ASSEMBLY, .044
		1	CHECK PLUG ASSEMBLY, NO BLEED
		1	SPACER
4	2003018	1	LIP, SEAL 15 X 35 X 7
5	9008000-0128	1	RING, WIRE RETAINING
6	2003016	1	RING, RETAINING
7	2003052	1	BEARING, BALL .59 X 1.38 X .43
8	2003043	1	SWASHPLATE, VARIABLE
10	2003087	1	BEARING, THRUST 30 X 52 X 13
11	50551	1	SHAFT, INPUT
12	50795	1	WASHER, THRUST .591X.787X.040
13	2003017	1	SPRING, BLOCK
14	2003014	1	BLOCK ASSEMBLY, 7 PISTON 10cc
15	70723	1	BLOCK CYLINDER, 7 PISTON 10cc
		7	PISTON
		7	SPRING, PISTON
		7	WASHER, THRUST
21	70082	1	21cc CYLINDER BLOCK ASSEMBLY
		1	21cc CYLINDER BLOCK
		7	PISTON SEAT WASHER
		7	21cc PISTON
		7	21cc PISTON SPRING
24	50662	1	SHAFT, MOTOR
25	50552	1	BEARING, THRUST 42 X 68 X 16
26	50857	1	ARM, CONTROL
27	50774	1	SPACER
28	50661	1	GEAR, 16T PINION
29	50975	2	CAPSCREW, M6 X 1-25
30	2000015	1	SLOT GUIDE
31	50807	1	ARM, TRUNNION TAPERED SQUARE
32	2003009	1	BUSHING, TRUNNION
33	9008000-0126	1	SEAL, LIP 12 X 25 X 7
34	50831	1	ARM, RETURN
35	51512	1	ARM, ACTUATING
36	50284	1	STUD, 5/16-24
37	50281	2	PCK, FRICTION

ITEM #	PART #	QTY	DESCRIPTION
38	70680	1	PLATE, BYPASS
39	2003555	1	ACTUATOR, BYPASS
40	45074	1	SEAL, LIP 10 X 25 X 7
41	50270	1	ARM, BYPASS
42	44870	1	RING, RETAINING
43	50002	2	PIN
44	50016	3	SCREW 3/8-24 X 2.5
46	50833	1	SPRING, NEUTRAL
48	50835	1	PUCK, ADJUSTING
50	50752	11	SCREW, 1/4-20 X .75
51	50972	1	COVER, LOWER
52	50273	1	GEROTOR ASSEMBLY
53	9004101-1340	1	O-RING
54	50260	1	COVER, GEROTOR
55	70538	1	KIT, FILTER
		2	GASKET .10 X .16 X 4.24
		1	FILTER
56	51156	1	MANIFOLD, CHARGE
57	50796	1	BEARING, MOTOR RETAINER
58	50776	4	PIN, CARRIER
59	50763	4	GEAR, 15T PLANET
60	50646	1	GEAR, 67T SPUR
61	50645	1	GEAR, 21 TOOTH SUN
62	50769	1	PLATE, PLANET THRUST
63	50764	1	GEAR, 51T RING
64	50765	1	CARRIER, PLANETARY
65	51411	2	GEAR, BEVEL (SPLINED) PCF
66	51410	2	GEAR, BEVEL (CROSS SHAFT) PCF
67	50766	1	SHAFT, DIFFERENTIAL
68	50767	1	PLATE, DIFF. THRUST
69	50768	2	BEARING, FLANGE
71	50788	3	WASHER 1.0 X 2.25 X .04
73	50791	2	NUT, HEX JAM 5/8-18
74	50771	2	BEARING, BALL 6205-1
75	50772	2	SEAL 1" ID x 2.0472" x .375"
76	51659	2	SHAFT, AXLE, SPLINED 1" X 12.6", 3.5" TAPER
77	44130	6	WASHER .343 X .880 X .062
79	50928	1	SEALANT
80	50868	9	SCREW, TORX HEAD 5/16-18
81	44752	1	BEARING, NEEDLE (SCE1412)
82	50777	2	WASHER .885 X 1.250 X .038
83	50775	1	RING, RETAINING
84	50773	1	SEAL, LIP .875I. D. x1.30. D. x. 25
85	50779	1	DISK, BRAKE
86	50132	1	WASHER .50 X 1.0 X .03
87	50836	1	WASHER .324 X 1.960 X .146
88	50837	1	SCREW, 5/16-24 x 1-1/2
89	44147	1	BEARING
90	50839	1	SPACER, LOCATING
92	50870	1	SCREW, COUNTERSUNK 5/16-18
93	50277	1	SPRING
94	50278	1	SPACER
95	50108	3	NUT, HEX LOCK 5/16-24
96	50866	1	BEARING, SLEEVE
97		122oz	20w-50 OIL

ITEM #	PART #	QTY	DESCRIPTION
106	50850	1	SPACER, TRUNNION
108	9005200-5600	1	PLUG, PLASTIC
110	70110	1	FITTING, O-RING ASS'Y
		1	FITTING, PLASTIC HOSE
		1	O-RING
111	70109	1	VENT, CAP ASS'Y
		1	VENT, PLASTIC
		1	VENT, CAP
116	50859	2	RING, RETAINING
117	9004800-2506	2	PIN, STD HDLS
118	70778	2	KIT, 5 STUD HUB, 7/16-14
		1	HUB, 5 STUD
		5	WHEEL STUD, 7/16-14 UNC
119	50863	2	NUT, HEX 3/4-16
120	44132	2	PUCK, BRAKE
121	50874	1	BOLT, RIB NECK 2"
122	70633	1	YOKE, BRAKE ASSEMBLY
124	50911	1	ARM, BRAKE
125	44127	2	PINS, BRAKE
126	43177	2	LOCKWASHER, 1/4"
127	43178	2	NUT, 1/4-20
128	44142	1	NUT, CASTLE 5/16-24
129	44101	2	PIN, COTTER
130	23711	1	SPACER
131	44134	1	PUCK, PLATE
132	50865	1	BOLT, RIB NECK 3"
133	50869	10	WHEEL STUD 7/16 - 14 UNC
134	50915	1	SPRING, BRAKE
137	50882	1	PIN, SPRING
139	44278	1	WASHER, 7/8OD X .265ID X .125 THK
140	51314	2	GASKET, .10 X .16 X 4.24
141	50884	1	SPRING, BRAKE ARM BIAS
144	50974	1	O RING, 2.987 ID .103 THK
145	51157	1	SPRING, RELIEF
146	9001214-4400	1	BALL, 7/16
151	50919	1	COMP. SPRING, BRAKE ANTI-DRAW
152	50914	1	BRAKE PULL ROD
153	9005110-5600	1	PLUG, STRAIGHT THREAD
155	70460	1	KIT, FAN/PULLEY
		1	NUT, JAM 1/2-20
		1	WASHER, DD SLOTTED, .53 X 1.63 X .06
		1	PULLEY
		1	FAN
		4	O-RING, .070 X .239
157	50977	1	PIN, SPRING 5/16 X 1.75
169	51463	1	KIT, SEAL
203	70492	1	SEAL-LIP 15X5X37
		1	SEAL-LIP 12X25X7
		1	SEAL-LIP 10X25X7
		1	O-RING, .103 X 1.862
		2	SEAL 25 X 52 X 10
		1	LIP SEAL (.875 I. D. X 1.3 O. D X .25)
		4	O-RING, .070 X .239
		1	KIT, O-RING, MANIFOLD
		1	PIN, SPRING 5/16 X 1.75
		1	PIN, SPRING 1/4 X 1.00

