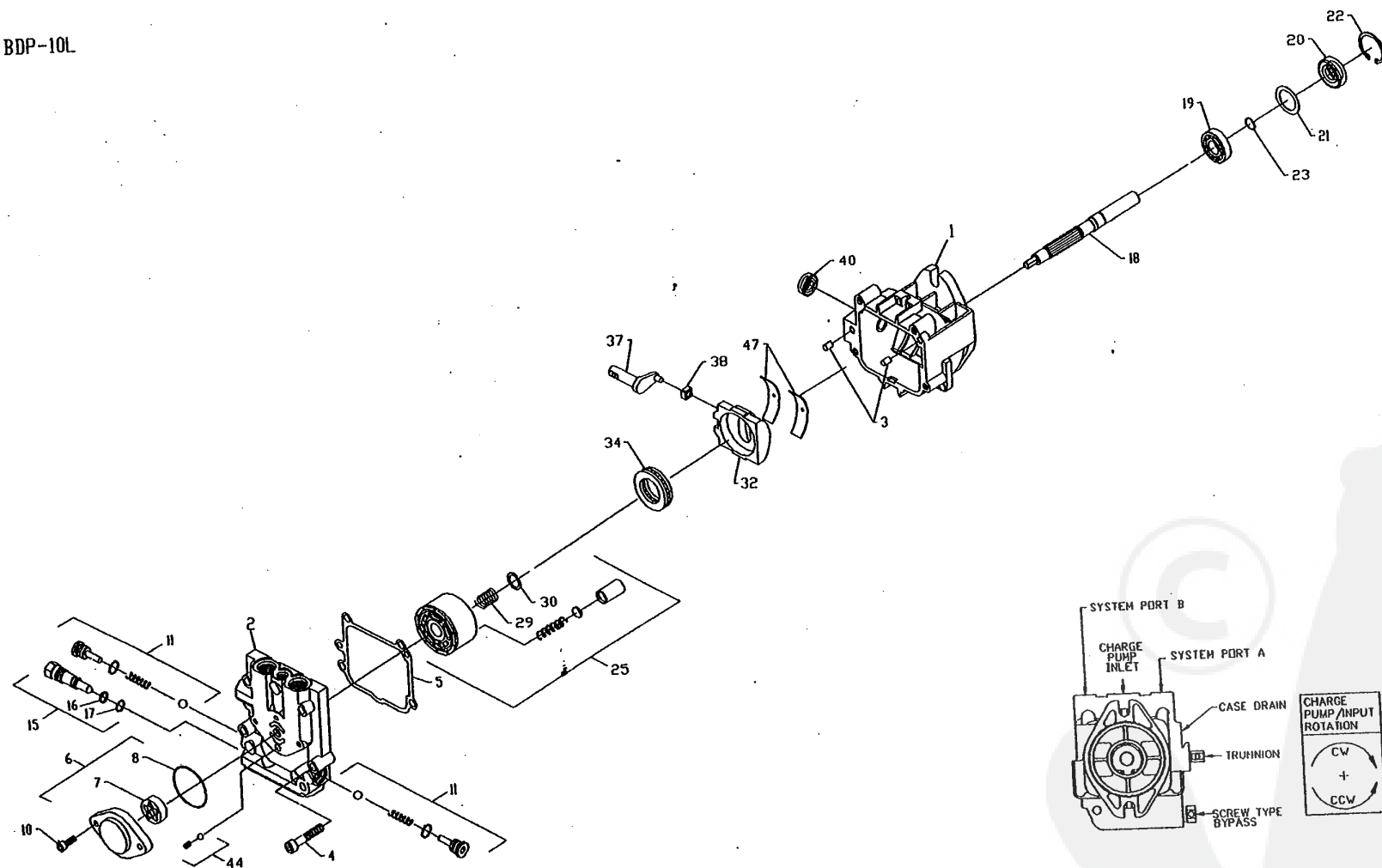
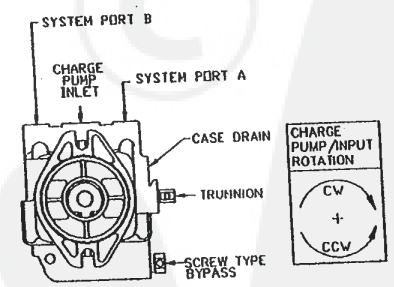


BDP-10L



48 SEAL KIT



MODEL NO.	SHAFT #	BYPASS VALVE KIT	CHARGE RELIEF VALVE KIT	CHECK VALVE		ROTATION
				TRUNNION SIDE	OPP. TRUNNION	
BDP-10L-110	2003020	2613030	2610011	2610008	2610008	CW
BDP-10L-111	2003020	2613030	2610011	2610008	2610008	CCW
BDP-10L-112	2003073	2613030	2610011	2610008	2610008	CW
BDP-10L-113	2003073	2613030	2610011	2610008	2610008	CCW
BDP-10L-116	2003020	2613031	2610011	2610008	2610008	CCW
BDP-10L-117	2003020	2613030	2610011	2610027	2610027	CCW
BDP-10L-118	2003020	2613031	2610011	2610008	2610008	CCW
BDP-10L-118	2003020	2613030	2610011	2610027	2610008	CCW
BDP-10L-121	2003020	2613030	2610011	2610008	2610027	CCW
BDP-10L-122	2003020	2613031	2610011	2610008	2610027	CW
BDP-10L-123	2003020	2613030	2610011	2610027	2610027	CW
BDP-10L-124	2003020	2613030	2610011	2610027	2610008	CW
BDP-10L-126	2003020	2613030	2610011	2610008	2610027	CW
BDP-10L-126	2003073	2613031	2610011	2610008	2610008	CW
BDP-10L-127	2003073	2613031	2610011	2610008	2610008	CCW
BDP-10L-128	2003020	2613030	2610084	2610027	2610027	CCW

ITEM #	PART #	DESCRIPTION
1	2613017	HOUSING KIT
2	2613016	END CAP KIT
3	9004800-2608	ST. HEADLESS PIN
4	9007314-0810	SOCKET HEAD SCREW
5	2003087	END CAP GASKET
6	2613027	CHARGE PUMP KIT
7	60273	GEROTOR ASSEMBLY
8	9004101-1340	O RING
10	60096	SOCKET HEAD SCREW
11	2610008	CHECK VALVE KIT (BALL)
	2610027	(.031" POPPET)
16	2613030	BYPASS VALVE KIT
	2613031	
18	9004101-0120	O-RING
17	9008110-0120	BACKUP RING
18	2003020	PUMP SHAFT
	2003073	

ITEM #	PART #	DESCRIPTION
19	2003043	BALL BEARING
20	9008000-0128	LIP SEAL
21	2003018	SPACER
22	2003062	RETAINING RING
25	70079	CYLINDER BLOCK KIT
29	2003014	BLOCK SPRING
30	2003017	BLOCK THRUST WASHER
32	2003087	SWASHPLATE
34	2003044	ROLLER THRUST BEARING
37	2003005	TRUNNION ARM
38	2000015	GUIDE SLOT
40	9008000-0128	LIP SEAL
44	2610011	CHARGE RELIEF VALVE KIT
	2610084	CHARGE RELIEF VALVE KIT (LIGHT)
47	2003023	CRADLE BEARING
48	2613018	OVERHAUL SEAL KIT