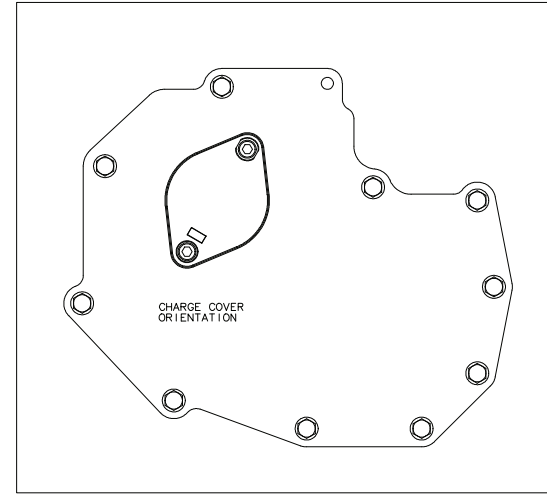
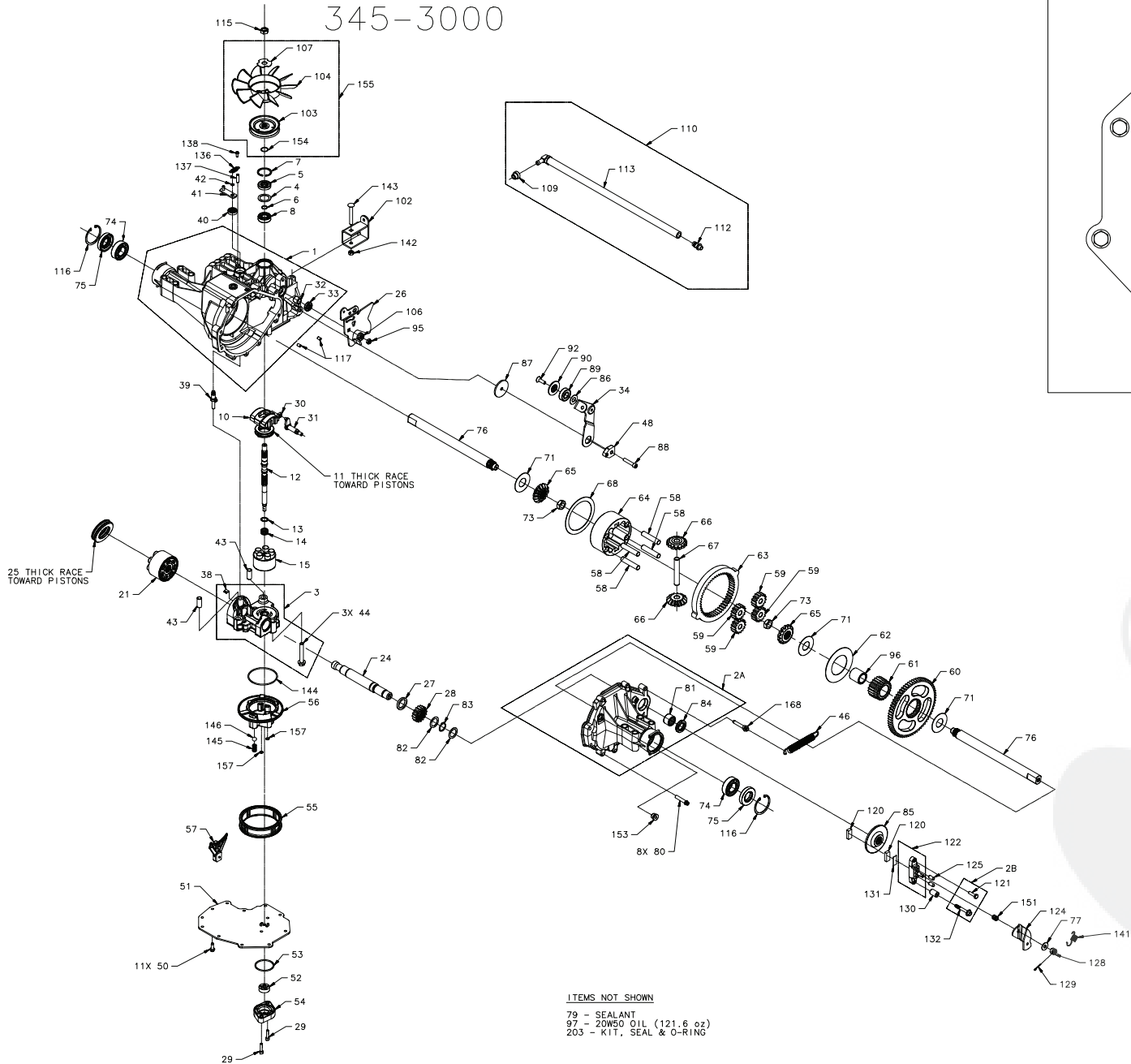


618-04329
345-3000



ITEMS NOT SHOWN

- 79 - SEALANT
- 97 - 20W50 OIL (121.6 oz)
- 203 - KIT, SEAL & O-RING



618-04329
345-3000

ITEM#	PART #	QTY	DESCRIPTION	ITEM#	PART #	QTY	DESCRIPTION	ITEM#	PART #	QTY	DESCRIPTION
1	70297	1	ASSEMBLY, MAIN HOUSING	46	51153	1	SPRING, 5 IN RETURN (HEAVY)	113	70301	1	KIT, 90° FITTING & HOSE ASS'Y
		1	HOUSING, MAIN	48	51097	1	PUCK, ADJUSTING			1	FITTING, 90° METAL VENT
		1	SEAL, LIP 12 X 25 X 7	50	50752	11	SCREW, HEX FLANGE 1/4-20 X .75			1	CLAMP, PINCH
		1	BEARING, FLANGE 1.0 X 1.376 X .99	51	50972	1	COVER, LOWER W/ 2 KIDNEYS			1	HOSE, 0.5 X 20
		1	BEARING, TRUNNION	52	50273	1	GEROTOR	115	44133	1	NUT, HEX 1/2-20 W/ PATCH
		2	BEARING, CRADLE	53	9004101-1340	1	O-RING, 1.862 X 2.068	116	50859	2	RING, RETAINING
2A	71120	1	ASSEMBLY, RIGHT HAND HOUSING	54	52610	1	HOUSING, CHARGE PUMP	117	9004800-2506	2	PIN, STANDARD HEADLESS
		1	HOUSING, RIGHT HAND	55	51315	1	FILTER, STD CHARGE	120	44132	2	PUCK, BRAKE
		1	BEARING, FLANGE 1.0 X 1.376 X .99	56	51156	1	MANIFOLD, CHARGE	121	44433	1	BOLT, HEX HD 1/4-20 X 1 W/PATCH
		1	NEEDLE BEARING .875 X 1.125 X .75	57	50796	1	RETAINER, MOTOR BEARING	122	70633	1	ASSEMBLY, BRAKE YOKE
		1	SEAL, LIP .875 X 1.375 X .250	58	50776	4	PIN, CARRIER	124	50936	1	ARM, BRAKE
2B	71139	1	KIT, BRAKE BOLT	59	50763	4	GEAR, 15T PLANET	125	44127	2	PIN, BRAKE ACTUATING
		1	BOLT, HEX HD 1/4-20 X 1 W/PATCH	60	50646	1	GEAR, 67T SPUR	128	44142	1	NUT, CASTLE 5/16-24
		1	BOLT, HEX HD 1/4-20 X 2 W/PATCH	61	50645	1	GEAR, 21T SUN	129	44101	1	PIN, COTTER 3/32 X 3/4
3	70683	1	ASSEMBLY, CENTER SECTION	62	50769	1	WASHER, THRUST 2.32 X 4.10 X .05	130	23711	1	SPACER, .26 X .57 X .87
		1	CENTER SECTION	63	50764	1	GEAR, 51T RING	131	44134	1	PLATE, PUCK
		1	BEARING, JOURNAL .50 X .59 X .50	64	50765	1	CARRIER, PLANETARY	132	51146	1	BOLT, HEX HD 1/4-20 X 2 W/PATCH
		1	BEARING, .90 X 1.0 X .75	65	50647	2	GEAR, 14T MITER (SPLINED)	136	50384	1	SPRING, BYPASS 1.33 IN EXTENSION
		1	PLATE, BYPASS	66	50648	2	GEAR, 14T MITER (UNSPLINED)	137	50882	1	PIN, SPRING .26 X 1
		2	CHECK PLUG ASSEMBLY, .027 BLEED	67	50766	1	SHAFT, DIFFERENTIAL	138	50653	1	BOLT, SELF TAPPING 10-32 X .5
		3	SCREW, HEX FLANGE 3/8-24 X 2.5	68	50767	1	WASHER, THRUST 3.46 X 4.39 X .05	141	50884	1	SPRING, BRAKE ARM BIAS
4	2003018	1	SPACER, .98 X 1.37 X .04	71	50788	3	WASHER 1.0 X 2.25 X .04	142	43064	1	NUT, HEX LOCK 5/16-18
5	9008000-0128	1	SEAL, LIP 15 X 35 X 7	73	50791	2	NUT, HEX 5/8-18 W/ PATCH	143	50886	1	BOLT, 5/16-18 X 2.5
6	2003016	1	RING, RETAINING	74	50771	2	BEARING, BALL 25.4 X 52 X 15	144	50974	1	O-RING, 2.987 X 3.09
7	2003052	1	RING, RETAINING	75	50772	2	SEAL, LIP 1.0 X 2.049 X .375	145	51157	1	SPRING, RELIEF
8	2003043	1	BEARING, BALL .59 X 1.38 X .43	76	52339	2	SHAFT, AXLE 1 X 12.69 (DD)	146	9001214-4400	1	BALL, 7/16 IN
10	2003087	1	SMASHPLATE, VARIABLE	77	44130	1	WASHER .34 X .88 X .06	151	50919	1	SPRING, COMP. BRAKE ANTI-DRAG
11	50551	1	BEARING, THRUST 30 X 52 X 13	79	50928	10, 1oz	SEALANT	153	9005110-5600	1	PLUG, 9/16-18 (METAL)
12	50795	1	SHAFT, INPUT (STD CHARGE)	80	50868	8	SCREW, TORX HD 5/16-18 X 1.5	154	50920	1	RING, RETAINING
13	2003017	1	WASHER, THRUST .59 X .79 X .04	81	44752	1	BEARING, NEEDLE .875 X 1.125 X .75	155	70311	1	KIT, FAN/PULLEY
14	2003014	1	SPRING, BLOCK	82	50777	2	WASHER, FLAT .88 X 1.25 X .04			1	NUT, HEX 1/2-20 W/ PATCH
15	70331	1	ASSEMBLY, BLOCK	83	50775	1	RING, RETAINING			1	WASHER, O.D SLOTTED .53 X 1.63 X .06
		1	BLOCK, CYLINDER	84	50773	1	SEAL, LIP .875 X 1.375 X .250			1	FAN 7.0 IN (10 BLADE)
		5	PISTON	85	50779	1	DISK, BRAKE			1	PULLEY, 3.25 IN
		5	SPRING, COMPRESSION	86	50132	1	WASHER, .51 X 1.0 X .03			1	RING, RETAINING
		5	WASHER, THRUST	87	50836	1	SPACER, .32 X 1.96 X .15	157	50977	2	O-RING, .239 X .379
21	70082	1	ASSEMBLY, BLOCK	88	50837	1	SCREW, SOCKET HD CAP 5/16-24 X 1.5	168	51151	1	SCREW, TORX HD SHOULDERED 5/16-18 X 1.81
		1	BLOCK, CYLINDER	89	44147	1	BEARING, BALL .62 X 1.38 X .44	203	70492	1	KIT, SEAL & O-RING
		7	PISTON	90	51200	1	SPACER, LOCATING			1	SEAL, LIP 15 X 35 X 7
		7	SPRING, COMPRESSION	92	50870	1	SCREW, COUNTERSUNK 5/16-18 X 1.0			1	SEAL, LIP 12 X 25 X 7
		7	WASHER, THRUST	95	50108	1	NUT, HEX LOCK 5/16-24 W/NYLON INSERT			1	SEAL, LIP 10 X 25 X 7
24	50662	1	SHAFT, MOTOR	96	50866	1	BUSHING, SLEEVE 1.0 X 1.3 X 1.34			1	O-RING, 1.862 X 2.068
25	50552	1	BEARING, THRUST 42 X 68 X 16	97		21, 6oz	OIL, 20W50			2	SEAL, LIP 1.0 X 2.049 X .375
26	51125	1	ARM, CONTROL	102	50813	1	BRACKET, TORQUE			1	SEAL, LIP .875 X 1.375 X .250
27	50774	1	SPACER, 1.03 X 1.38 X .184	103	50818	1	PULLEY, 3.25 IN			1	PIN, SPRING .26 X 1
28	50661	1	GEAR, 16T PINION	104	51862	1	FAN, 7.0 IN (10 BLADE)			1	KIT, MANIFOLD O-RING
29	50975	2	SCREW, CAP M6 X 1 X 25	106	51604	1	SPACER, TRUNNION			2	O-RING, .239 X .379
30	2000015	1	GUIDE, SLOT	107	51523	1	WASHER, OD SLOTTED 53 X 1.63 X .06				
31	50807	1	ARM, TRUNNION TAPERED SQUARE	109	50133	1	BUSHING, VENT (RUBBER)				
32	2003009	1	BEARING, TRUNNION	110	70302	1	KIT, FITTING				
33	9008000-0126	1	SEAL, LIP 12 X 25 X 7	112	70109	1	ASSEMBLY, CAP-VENT				
34	51127	1	ARM, RETURN								
38	70680	1	KIT, BYPASS PLATE								
39	2003555	1	ACTUATOR, BYPASS								
40	45074	1	SEAL, LIP 10 X 25 X 7								
41	50270	1	ARM, BYPASS								
42	44870	1	RING, RETAINING								
43	50002	2	PIN, HOLLOW .39 X .50 X 1.12								
44	50016	3	SCREW, HEX FLANGE 3/8-24 X 2.5								